



US00D886522S

(12) **United States Design Patent** (10) **Patent No.:** **US D886,522 S**
Lim et al. (45) **Date of Patent:** **** Jun. 9, 2020**

(54) **DISPENSER**
(71) Applicant: **PepsiCo, Inc.**, Purchase, NY (US)
(72) Inventors: **Stephen Lim**, Chappaqua, NY (US);
Klaus Rosburg, Brooklyn, NY (US)
(73) Assignee: **PepsiCo, Inc.**, Purchase, NY (US)
(**) Term: **15 Years**
(21) Appl. No.: **29/662,063**
(22) Filed: **Aug. 31, 2018**
(51) **LOC (12) Cl.** **07-01**
(52) **U.S. Cl.**
USPC **D7/397; D7/308; D7/307**
(58) **Field of Classification Search**
USPC D7/300, 309-311, 306-308, 305, 397,
D7/355, 362, 365, 367, 399; 222/146.6,
222/185.1, 135; 99/295, 273, 304, 288,
99/279, 307, 283; D20/4
CPC B67D 1/0004; B67D 1/0804; A47J 31/407;
A47J 31/18; A47J 31/00; A47J 27/04;
A47J 31/0573; A47J 31/52
See application file for complete search history.

D290,330 S 6/1987 Lagace
D297,697 S 9/1988 Fossella
D309,395 S 7/1990 Thompson et al.
D310,612 S 9/1990 Desrosiers
D323,875 S 2/1992 Kang et al.
D330,983 S 11/1992 De Moss
D332,200 S 1/1993 Credle, Jr.
D356,342 S 3/1995 Reese et al.

(Continued)

FOREIGN PATENT DOCUMENTS

EM 001914862-0002 8/2013
KR 30-0722649 12/2013
NO 083336 2/2012

OTHER PUBLICATIONS

U.S. Appl. No. 29/587,477, filed Dec. 13, 2016.
U.S. Appl. No. 29/647,697, filed May 15, 2018.

Primary Examiner — Marianne N Pandozzi
(74) *Attorney, Agent, or Firm* — Sterne, Kessler,
Goldstein & Fox, P.L.L.C.

(57) **CLAIM**

The ornamental design for a dispenser, as shown and described.

(56) **References Cited**

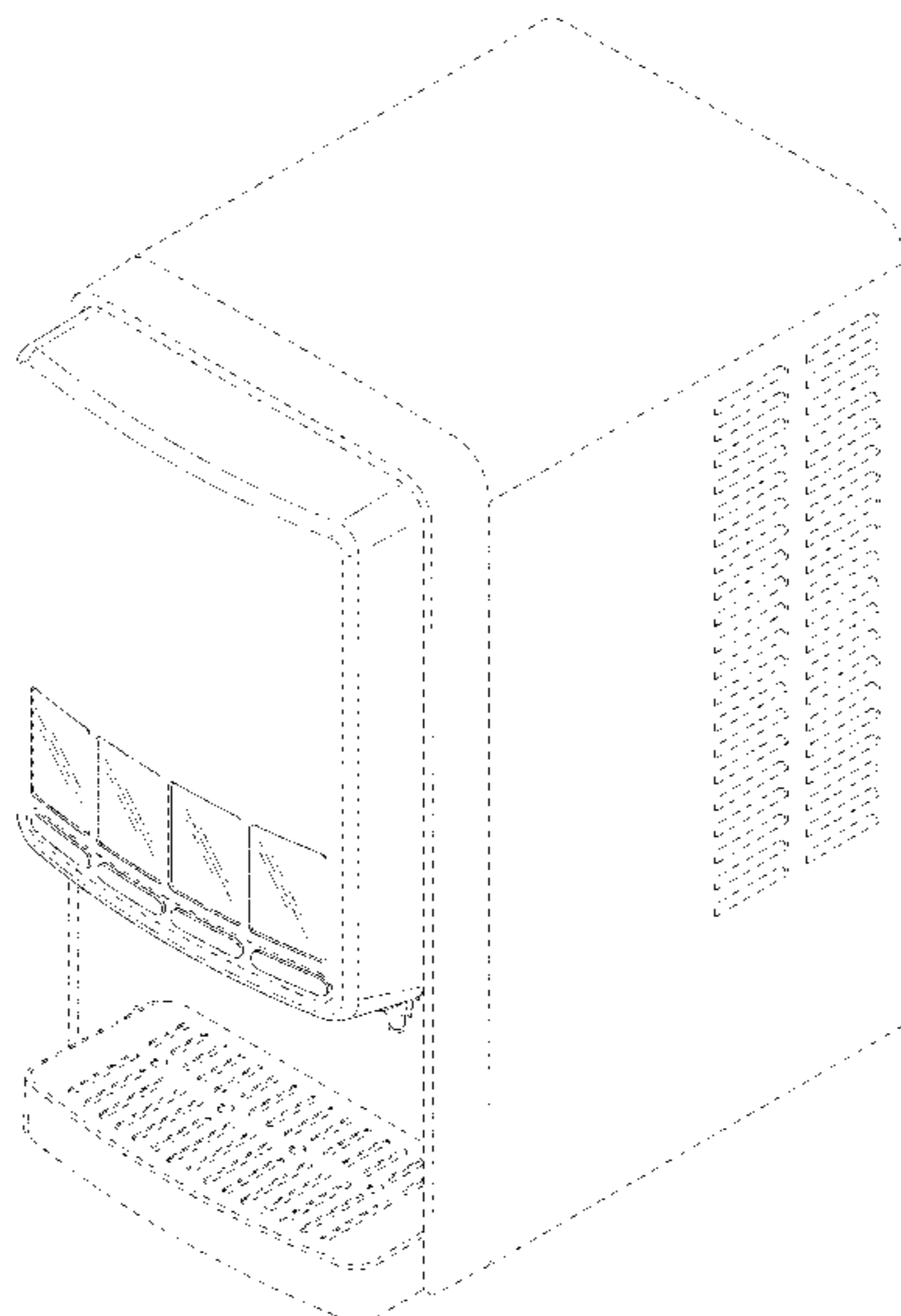
U.S. PATENT DOCUMENTS

D43,666 S 3/1913 Branning
D121,005 S 6/1940 Wright
D151,386 S 10/1948 Nissen
D151,952 S 12/1948 Babcock
D153,541 S 4/1949 Otto
D183,532 S 9/1958 McCauley
D185,148 S 5/1959 Hebel
D202,688 S 11/1965 Cornelius et al.
D206,519 S 12/1966 Wolfe
D229,221 S 11/1973 Adamson
D230,882 S 3/1974 Winsett
D235,816 S 7/1975 Hall
D256,124 S 7/1980 Adamson et al.
D259,790 S 7/1981 Hentschel

DESCRIPTION

FIG. 1 is a top front perspective view of a dispenser showing the claimed design;
FIG. 2 is a bottom front perspective view thereof;
FIG. 3 is a front view thereof;
FIG. 4 is a rear view thereof;
FIG. 5 is a left side view thereof;
FIG. 6 is a right side view thereof;
FIG. 7 is a top view thereof; and,
FIG. 8 is a bottom view thereof.
The broken lines in the figures show portions of the dispenser that form no part of the claimed design.

1 Claim, 8 Drawing Sheets



(56)

References Cited

U.S. PATENT DOCUMENTS

D359,649 S 6/1995 Salkeld et al.
 D359,874 S * 7/1995 Smith D7/308
 D360,801 S 8/1995 Shub
 D365,962 S 1/1996 Amundsen et al.
 D367,797 S 3/1996 Hauser, II et al.
 D379,285 S 5/1997 Evers
 D382,761 S * 8/1997 Ford D7/307
 D385,457 S 10/1997 Sellers
 D387,809 S 12/1997 Reese et al.
 D398,183 S 9/1998 De Felip
 D404,242 S * 1/1999 Schroeder D7/307
 5,855,162 A 1/1999 Bauer et al.
 D408,207 S 4/1999 Bourke
 D418,001 S 12/1999 van der Veen
 D418,365 S * 1/2000 Ford D7/308
 D421,629 S 3/2000 Sakata
 D424,361 S 5/2000 Kuboyama
 D431,145 S 9/2000 Woebcke et al.
 D440,255 S 4/2001 Dickson
 D444,986 S 7/2001 Smith et al.
 D453,088 S * 1/2002 Bell D7/307
 D456,663 S 5/2002 Chew
 D467,764 S 12/2002 Harrison et al.
 D473,745 S 4/2003 Mulle et al.
 D474,366 S 5/2003 Hodges et al.
 D477,175 S 7/2003 Smith
 D482,227 S 11/2003 Walton
 D486,346 S 2/2004 Jonsson
 D498,637 S 11/2004 Heilstedt et al.
 D499,145 S 11/2004 Yao
 D500,625 S 1/2005 Hellenberg et al.
 D505,822 S 6/2005 De Gooijer
 D510,675 S 10/2005 Ball
 D514,864 S 2/2006 Birdsell et al.
 D514,867 S 2/2006 Steiner
 D526,523 S 8/2006 Steiner et al.
 D527,567 S 9/2006 Nakato et al.
 D531,855 S 11/2006 Steiner et al.
 D533,007 S 12/2006 Felty
 D544,919 S 6/2007 Roekens et al.
 D544,920 S 6/2007 Roekens et al.
 D554,930 S 11/2007 Lavy
 D555,414 S 11/2007 Lin
 D555,968 S 11/2007 Pfeifer et al.
 D557,547 S 12/2007 Knoell et al.
 D564,279 S 3/2008 Hodges
 D570,149 S 6/2008 Truong
 D570,636 S 6/2008 Kulujian et al.
 D572,965 S 7/2008 Steiner
 D582,194 S 12/2008 Wang
 D583,608 S 12/2008 Kato
 D585,690 S 2/2009 Dammkoehler
 D597,605 S 8/2009 Davis
 D600,060 S 9/2009 Fletcher et al.
 D600,490 S 9/2009 Pino et al.
 D600,491 S 9/2009 Hammad et al.
 D601,380 S 10/2009 Jones et al.
 D604,087 S * 11/2009 Lavy D7/309
 D608,129 S 1/2010 Spear et al.
 D608,130 S 1/2010 Moon et al.
 D617,132 S 6/2010 Wang
 D618,031 S 6/2010 Mansour
 D620,511 S 7/2010 Publ et al.
 7,784,205 B1 * 8/2010 Baron G09F 13/04
 222/129.1
 D623,885 S 9/2010 Wang

D624,778 S 10/2010 Meldrum et al.
 D627,187 S 11/2010 Voron et al.
 D630,471 S 1/2011 Wang
 D635,812 S 4/2011 Wang
 D638,476 S 5/2011 Hoffman et al.
 D638,513 S 5/2011 Choi
 D640,891 S 7/2011 Smith
 D642,851 S 8/2011 Yui
 D643,240 S 8/2011 Yui
 D643,666 S 8/2011 Yui
 D643,667 S 8/2011 Yui
 D643,668 S 8/2011 Yui
 8,006,866 B2 8/2011 Minard et al.
 D644,712 S 9/2011 Seo et al.
 D646,105 S 10/2011 Deo et al.
 D646,269 S 10/2011 Crick, Jr. et al.
 D649,393 S 11/2011 Cohlmlia et al.
 D658,423 S * 5/2012 Curtis D7/306
 D661,159 S * 6/2012 Curtis D7/397
 D682,597 S 5/2013 Bingul et al.
 D683,173 S 5/2013 Liang
 D691,205 S 10/2013 d'Amore et al.
 D692,952 S 11/2013 d'Amore et al.
 D693,404 S 11/2013 d'Amore et al.
 D693,407 S 11/2013 d'Amore et al.
 D696,349 S 12/2013 d'Amore et al.
 D698,391 S 1/2014 d'Amore et al.
 D699,501 S * 2/2014 Arora B67D 1/0085
 D701,412 S 3/2014 Broen et al.
 D703,476 S 4/2014 Behar et al.
 D704,492 S 5/2014 Broen et al.
 D710,642 S 8/2014 Broen et al.
 D710,643 S 8/2014 Broen et al.
 D716,093 S 10/2014 Jakeman et al.
 D724,883 S 3/2015 Lamb et al.
 D731,839 S 6/2015 Tomasson et al.
 D731,840 S 6/2015 Cha et al.
 D732,328 S 6/2015 Bhutani et al.
 D732,329 S * 6/2015 Palermo D7/306
 D734,635 S * 7/2015 Behar D7/306
 D758,119 S * 6/2016 Sanchez D7/307
 D770,214 S * 11/2016 Kadyk D7/307
 D772,003 S 11/2016 Broen et al.
 D773,876 S * 12/2016 Harris, III D7/307
 D775,887 S 1/2017 Atkin et al.
 D776,970 S * 1/2017 Broen D7/307
 D787,874 S 5/2017 Seum et al.
 D789,133 S * 6/2017 Gnadinger D7/307
 D799,880 S * 10/2017 Broen D7/307
 D822,154 S * 7/2018 Lee D23/207
 D825,243 S * 8/2018 Yoon D7/308
 D838,540 S * 1/2019 Gnadinger D7/397
 D841,382 S * 2/2019 Broen D7/306
 D853,168 S * 7/2019 Marmier D7/306
 D853,772 S * 7/2019 Park D7/307
 D858,168 S * 9/2019 Broen D7/307
 D863,439 S * 10/2019 Mycroft D20/1
 D873,071 S * 1/2020 Broen D7/397
 2002/0148858 A1 10/2002 Bertone
 2003/0232115 A1 12/2003 Eckenhausen et al.
 2012/0222999 A1 * 9/2012 Ha C02F 1/008
 210/175
 2014/0305316 A1 * 10/2014 Sevcik B67D 1/16
 99/323.2
 2017/0164781 A1 6/2017 De'Longhi et al.
 2018/0215603 A1 * 8/2018 Hecht B67D 1/0036

* cited by examiner

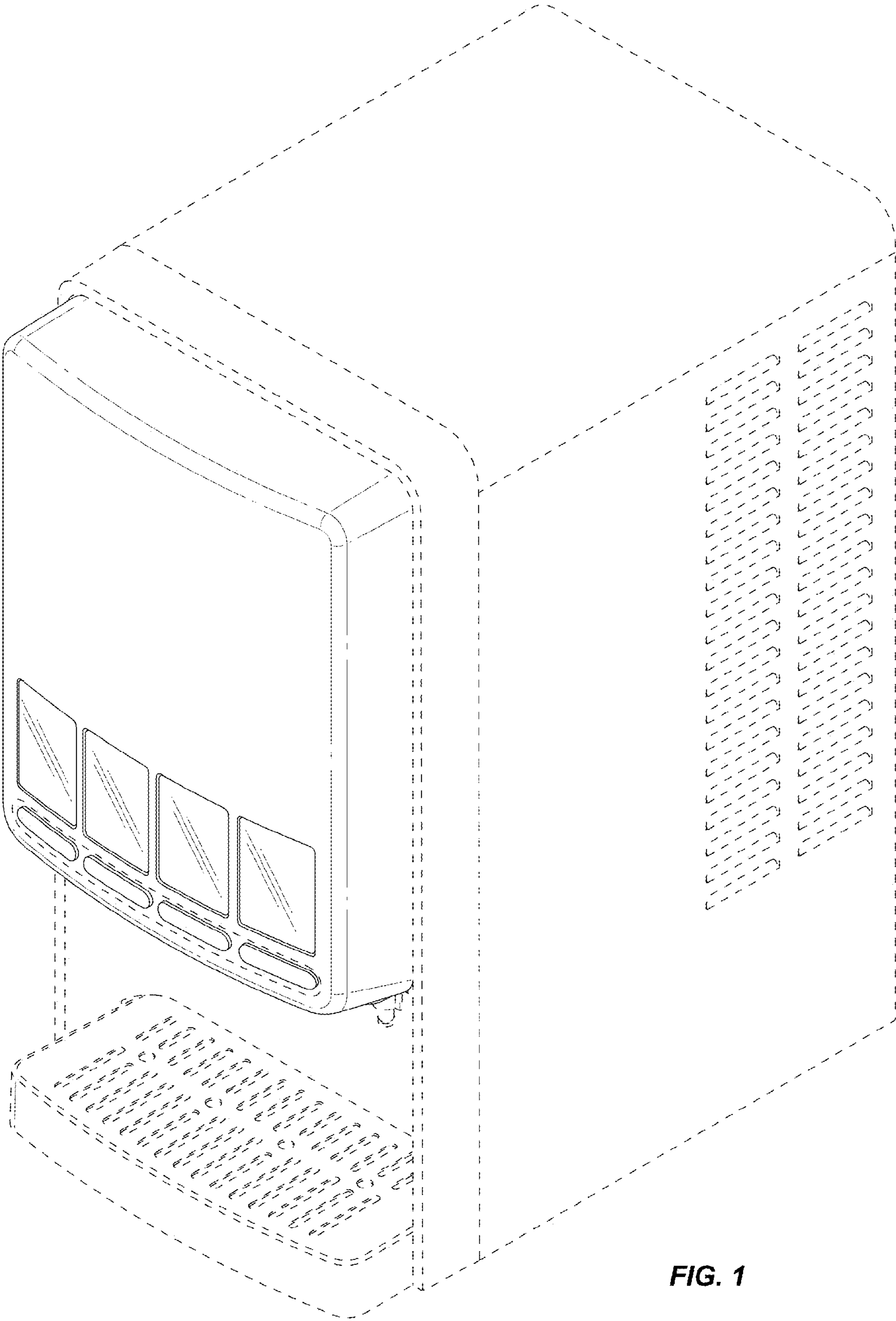


FIG. 1

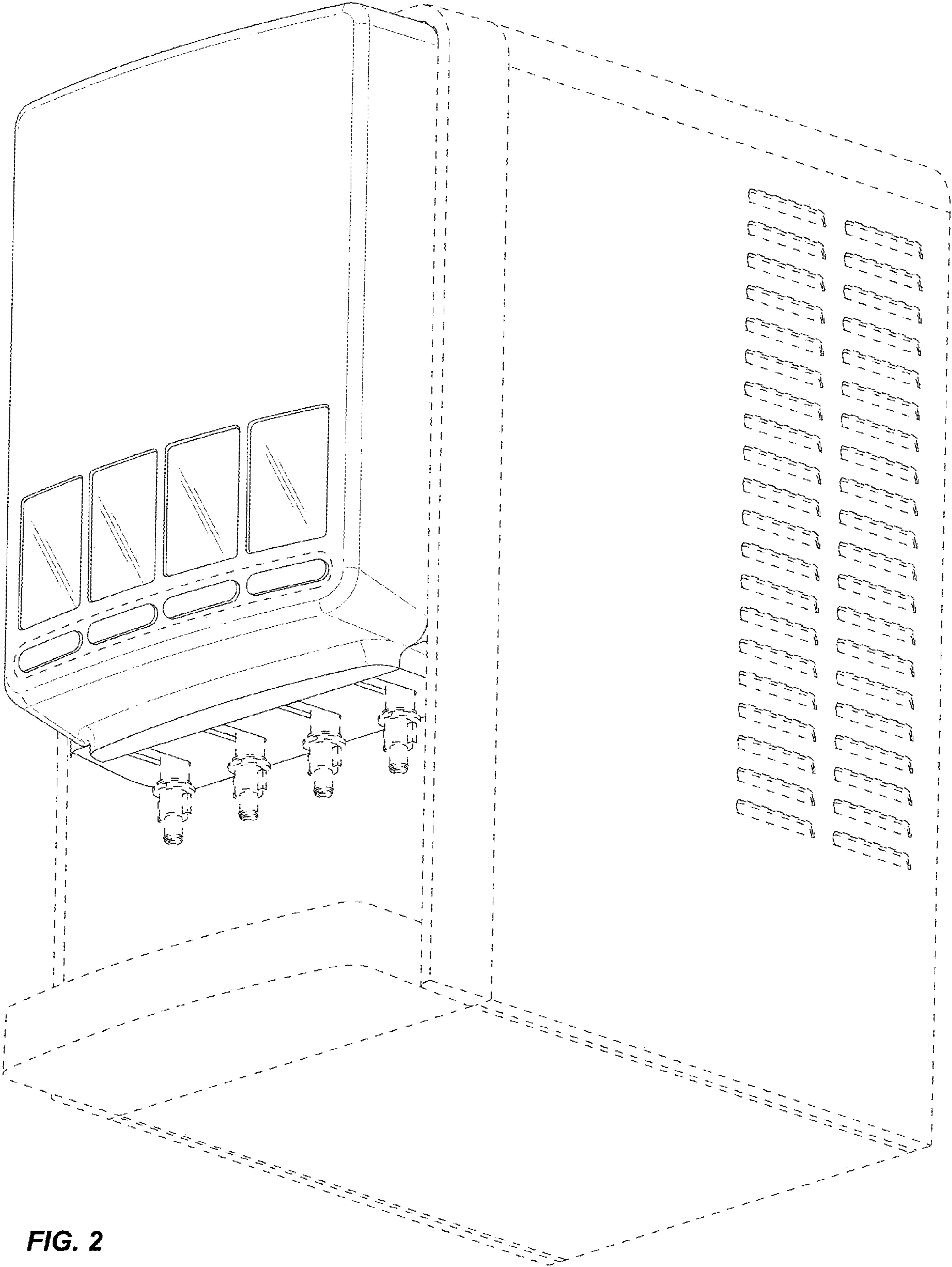


FIG. 2

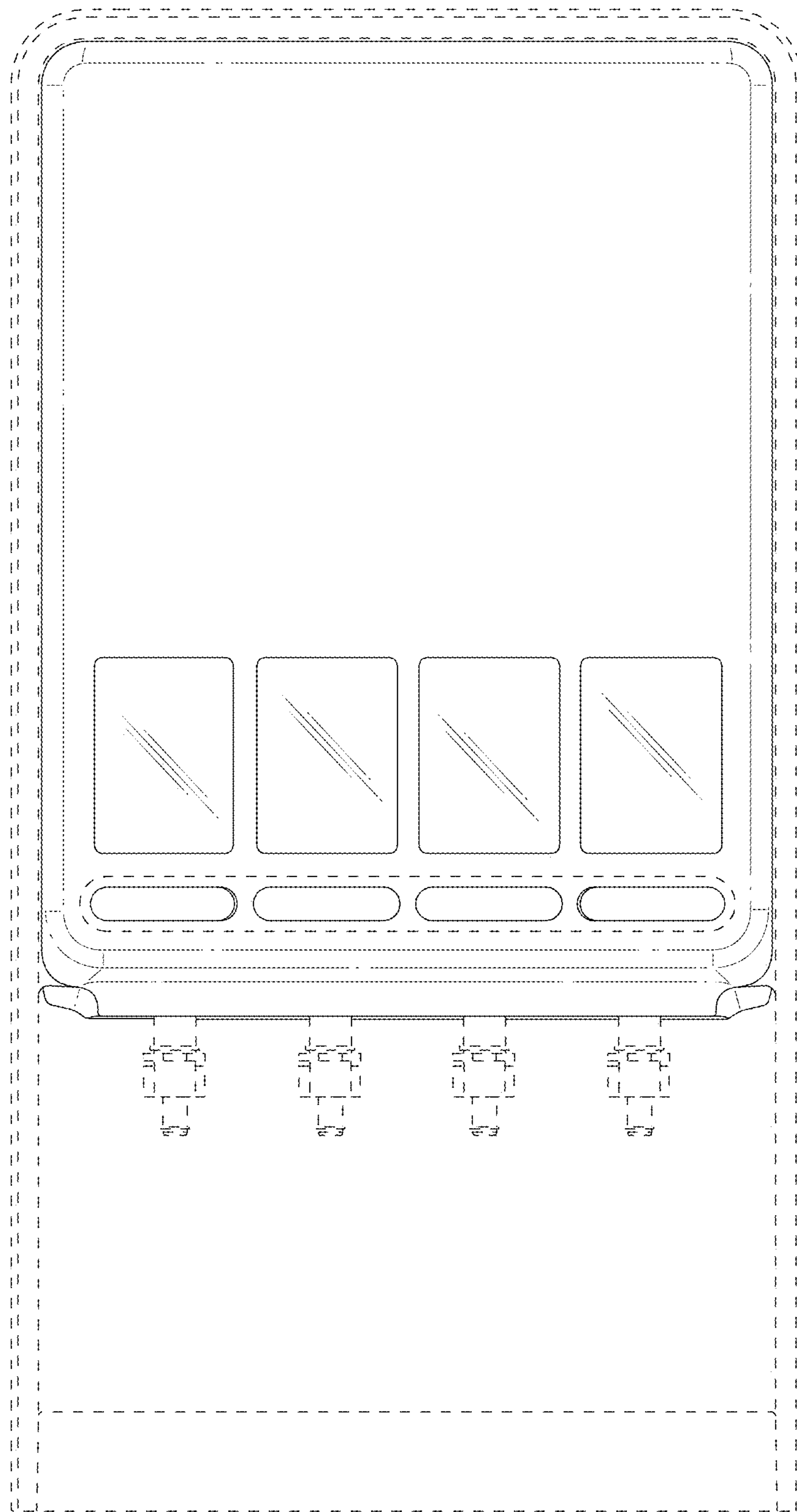


FIG. 3

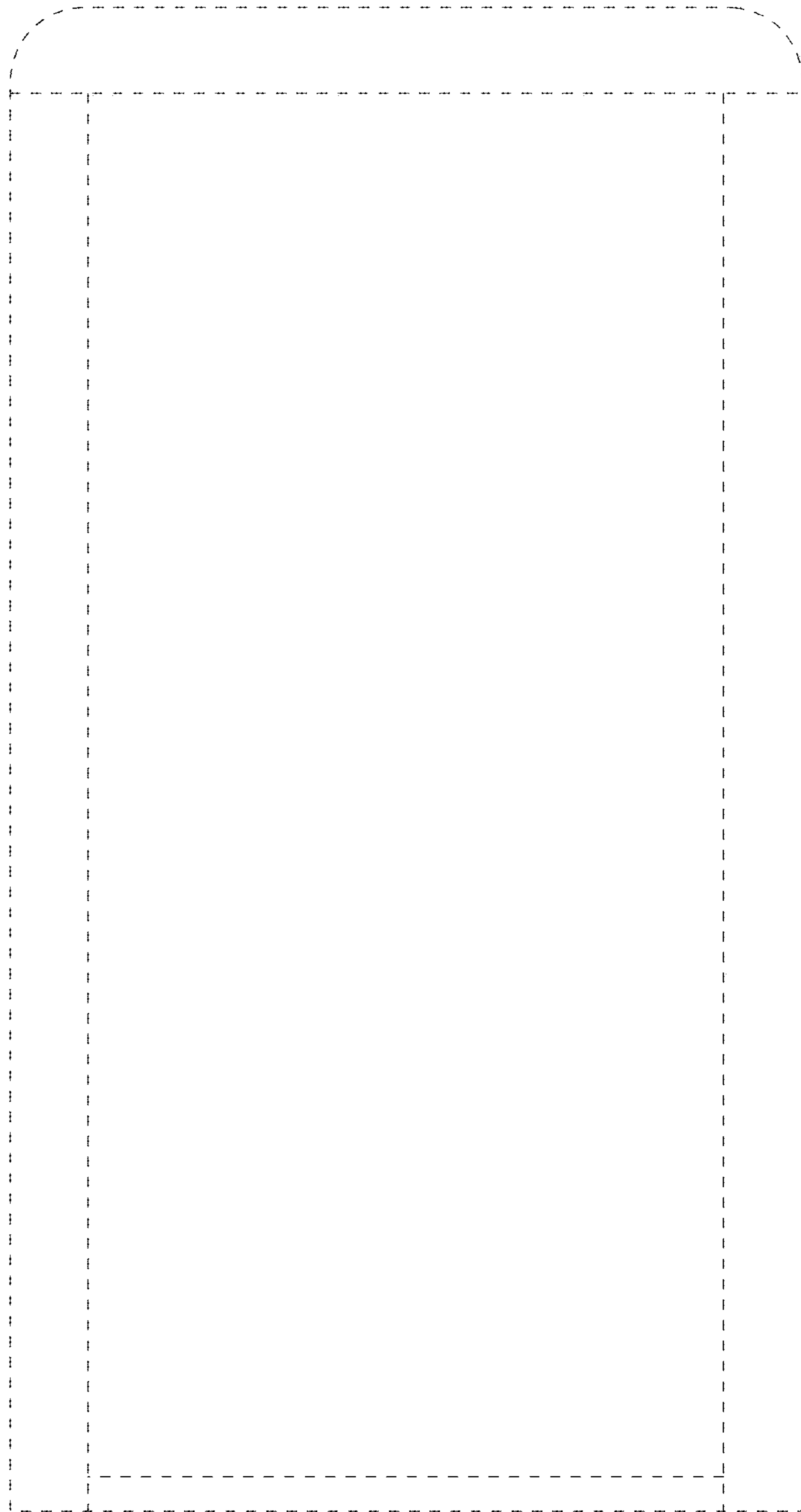


FIG. 4

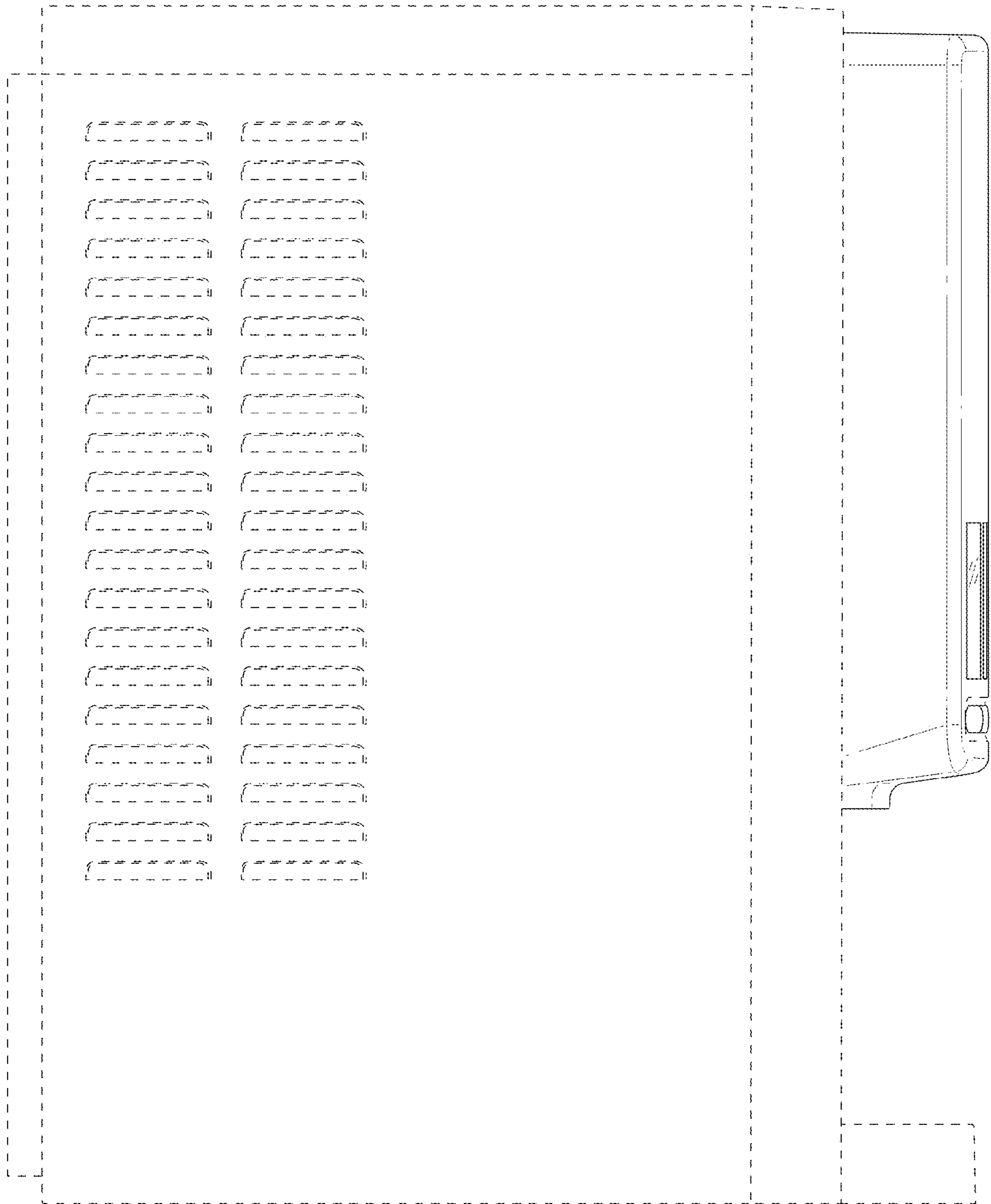


FIG. 5

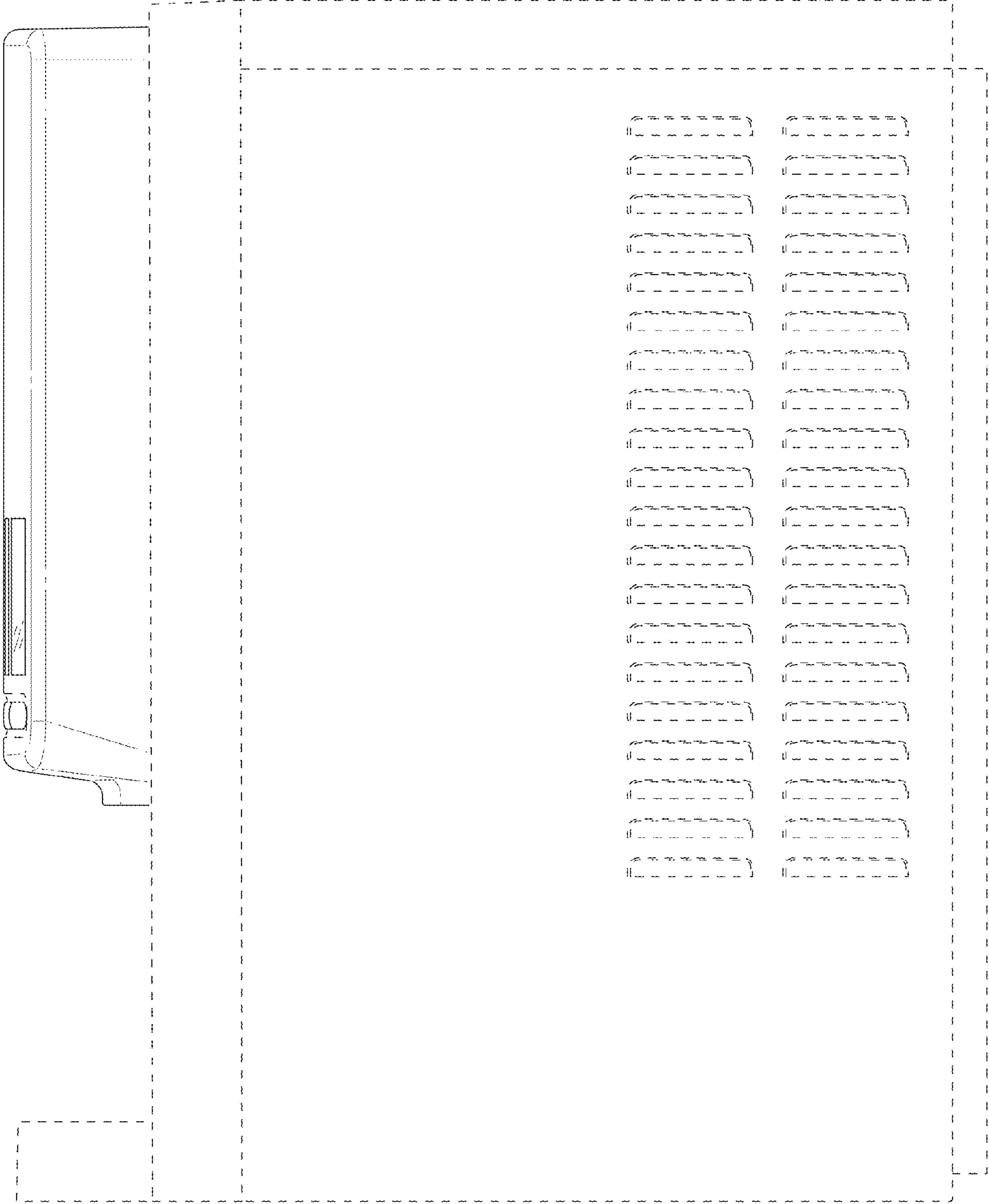


FIG. 6



FIG. 7

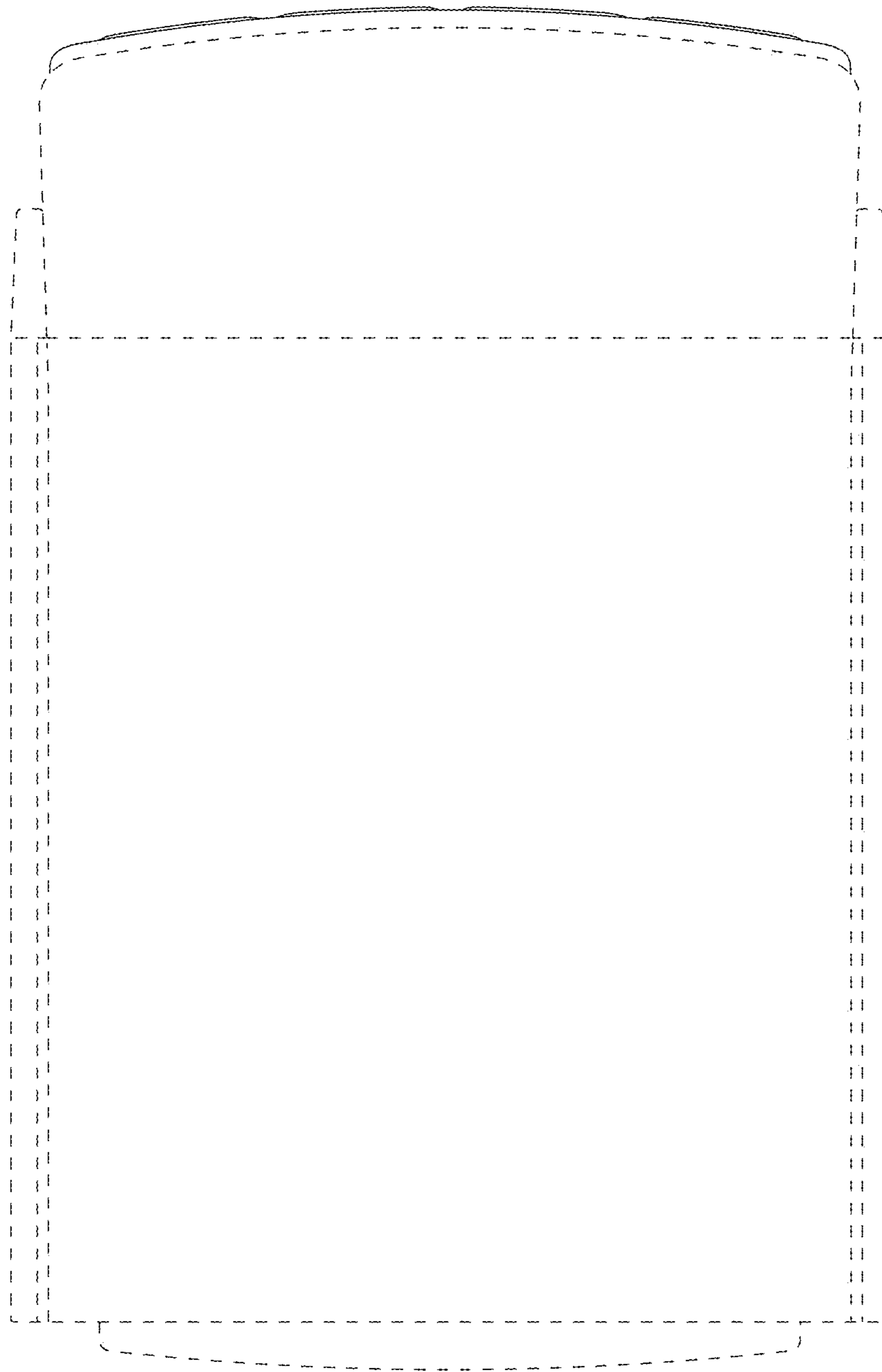


FIG. 8