



US00D886521S

(12) **United States Design Patent** (10) **Patent No.:** **US D886,521 S**
Meyers (45) **Date of Patent:** **** Jun. 9, 2020**

(54) **MOUTHPIECE**

(71) Applicant: **Runway Blue, LLC**, Alpine, UT (US)

(72) Inventor: **David O. Meyers**, East Layton, UT (US)

(73) Assignee: **Runway Blue, LLC**, Alpine, UT (US)

(**) Term: **15 Years**

(21) Appl. No.: **29/703,302**

(22) Filed: **Aug. 26, 2019**

Related U.S. Application Data

(60) Division of application No. 29/580,621, filed on Oct. 11, 2016, now Pat. No. Des. 863,877, which is a continuation of application No. 15/213,360, filed on Jul. 18, 2016, now Pat. No. 10,028,603, which is a continuation of application No. 14/598,090, filed on
(Continued)

(51) **LOC (12) Cl.** **07-99**

(52) **U.S. Cl.**
USPC **D7/396.2**

(58) **Field of Classification Search**

USPC D7/323, 354, 391, 392, 392.1, 396, D7/396.2, 503, 550.1, 552.1, 553.1, D7/553.2, 554, 566, 589, 600.1, 602, 605, D7/610, 614, 650, 704, 401.1, 509, 510, D7/511, 523, 525, 526, 527, 536, 538, D7/900; D9/414, 424, 427, 430, 432, D9/433, 434, 435, 436, 437, 438, 439, D9/440, 442, 443, 445, 446, 447, 449, D9/450, 452, 453, 454, 456, 499, 686, D9/688, 690, 708, 709, 723, 724, 763, D9/772; D3/202, 272, 273; D23/206, D23/249, 259, 260
CPC B65D 47/065; B65D 43/02; B65D 43/16; B65D 43/22; B65D 43/26; B65D 47/0885; B65D 47/08; B65D 47/02; B65D 51/212; B65D 51/18; B65D 51/04; B65D 51/24; B65D 43/0202; B65D

2251/0021; B65D 2251/0081; B65D 2543/00046; B65D 2543/00231; A45F 3/18; A47G 19/00; A47G 19/2272; A47G 19/2266

See application file for complete search history.

(56) **References Cited**

U.S. PATENT DOCUMENTS

2,573,378 A 10/1951 Zurlinden
3,770,160 A 11/1973 Flider

(Continued)

OTHER PUBLICATIONS

Avana Ashbury Water Bottle with Freesip Spout: Announced May 2019 [online]. Site Visited [Oct. 16, 2019]. Available from Internet URL: https://www.amazon.com/Avana-Ashbury-Stainless-Double-Wall-Insulated/dp/B07QK9J832/ref=cm_cr_ar_p_d_product_top?ie=UTF8.*

(Continued)

Primary Examiner — Catherine S Posthauer

(74) *Attorney, Agent, or Firm* — Sterne, Kessler, Goldstein & Fox P.L.L.C.

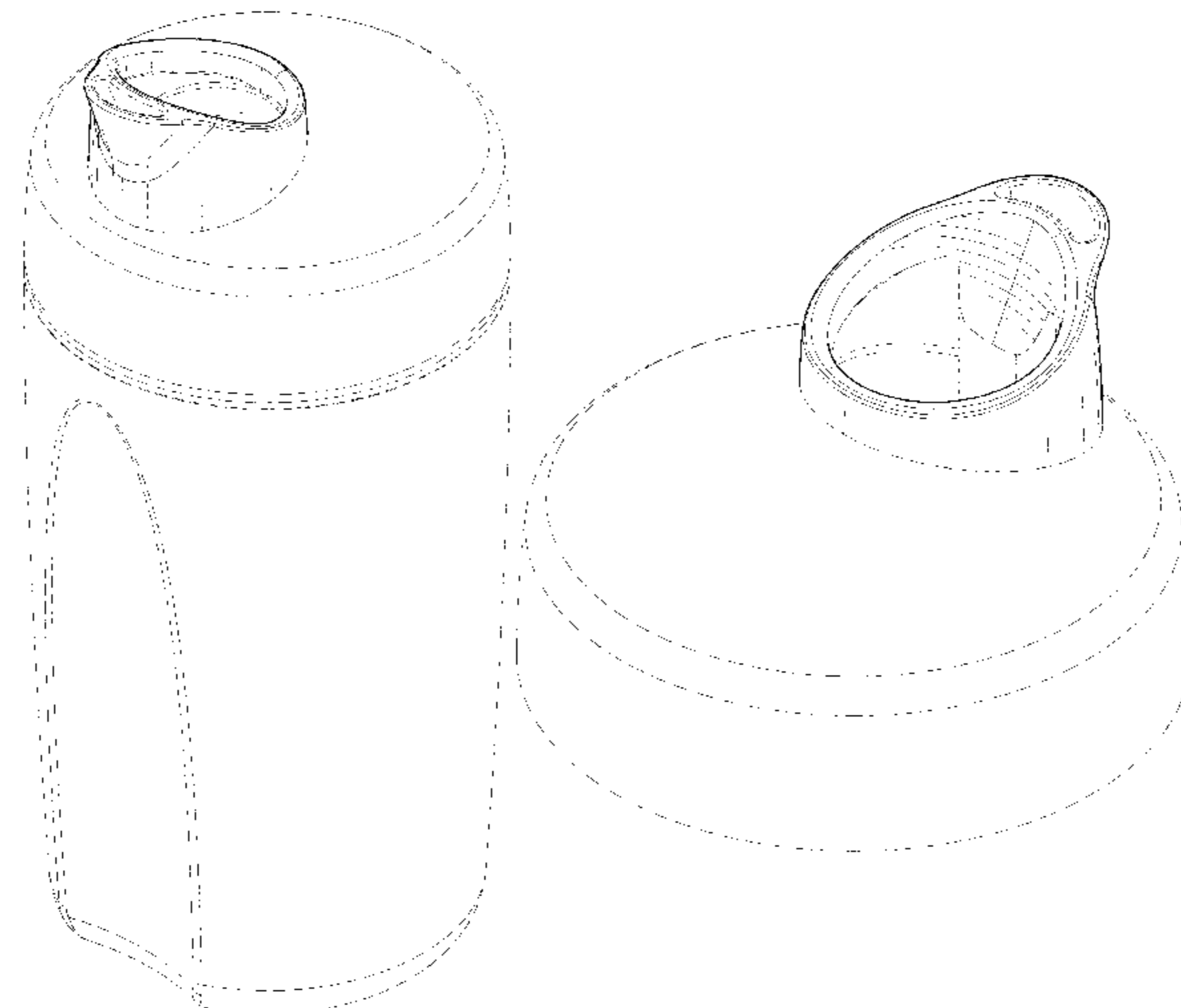
(57) **CLAIM**

The ornamental design for a mouthpiece, as shown and described.

DESCRIPTION

FIG. 1 is a top front perspective view of a mouthpiece, showing my new design, shown in use with exemplifying environmental subject matter;
FIG. 2 is an enlarged top front perspective view thereof, with some exemplifying environmental subject matter removed;
FIG. 3 is a top rear perspective view thereof; and,
FIG. 4 is another top rear perspective view thereof.
The broken lines are shown for the purpose of illustrating environmental structure and parts of the article that form no part of the claimed design.

1 Claim, 4 Drawing Sheets



Related U.S. Application Data

Jan. 15, 2015, now Pat. No. 10,172,488, which is a continuation of application No. 29/514,766, filed on Jan. 15, 2015, now Pat. No. Des. 768,491, which is a continuation of application No. 14/598,075, filed on Jan. 15, 2015, now Pat. No. 9,392,893, which is a continuation of application No. 14/598,087, filed on Jan. 15, 2015, now Pat. No. 10,004,348.

(56)

References Cited

U.S. PATENT DOCUMENTS

D292,489 S * 10/1987 Kowollik D9/440
 4,948,009 A 8/1990 Sawatani
 D318,203 S 7/1991 Zaghini
 D399,744 S * 10/1998 Gross D9/447
 D436,040 S 1/2001 Warner et al.
 D437,223 S 2/2001 Coy et al.
 6,367,670 B1 4/2002 Warner et al.
 D462,009 S 8/2002 Poisson et al.
 D476,892 S 7/2003 Martin et al.
 D530,202 S 10/2006 Herald et al.
 7,124,917 B2 10/2006 Lee
 D547,605 S 7/2007 Edelstein et al.
 D547,607 S 7/2007 Forsman
 D562,065 S 2/2008 Smaldone
 D586,184 S 2/2009 Miller et al.
 D588,915 S 3/2009 Lohrman et al.
 D591,595 S 5/2009 Tedford, Jr.
 7,717,284 B2 5/2010 Giusti
 D626,837 S 11/2010 Meyers et al.
 D626,838 S 11/2010 Meyers et al.
 D628,887 S 12/2010 Groubert et al.
 D628,890 S 12/2010 Groubert et al.
 D628,893 S 12/2010 Groubert et al.
 D636,672 S 4/2011 Lohrman et al.
 D649,878 S 12/2011 Weiss
 D649,879 S 12/2011 Gullickson et al.
 D652,256 S 1/2012 Eyal
 8,146,770 B2 4/2012 Newman
 D660,696 S 5/2012 Weiss
 D666,490 S 9/2012 Leon
 D677,121 S 3/2013 Meyers et al.
 D679,541 S 4/2013 Samartgis
 D682,034 S 5/2013 El-Saden et al.
 D686,870 S 7/2013 Young
 D696,551 S 12/2013 Meyers et al.
 D696,941 S 1/2014 Kim
 D696,942 S 1/2014 Kim
 D696,943 S 1/2014 Kim
 D704,053 S 5/2014 Kim
 D705,058 S 5/2014 Kim
 D707,124 S 6/2014 Blain et al.
 D711,230 S 8/2014 den Boer
 D713,723 S 9/2014 den Boer
 D713,724 S 9/2014 den Boer
 8,833,582 B1 9/2014 Meyers
 8,833,586 B2 * 9/2014 Meyers B65D 47/089
 215/395
 D716,141 S 10/2014 Rush
 D716,657 S 11/2014 Caneer
 D719,780 S 12/2014 Sullivan
 D721,276 S 1/2015 Herbst
 D723,328 S 3/2015 Steel
 D723,332 S 3/2015 Steel
 D727,093 S 4/2015 Lapsker

D729,569 S 5/2015 Herbst et al.
 9,027,774 B2 * 5/2015 Palmer B65D 47/043
 220/287
 D730,694 S 6/2015 Elsaden et al.
 D734,152 S 7/2015 Hager et al.
 D737,139 S 8/2015 Sokoly
 D739,183 S 9/2015 Lane
 D740,605 S 10/2015 Nodka et al.
 D741,637 S 10/2015 Palermo et al.
 D742,230 S 11/2015 Charles
 D745,827 S 12/2015 Sorensen et al.
 D747,136 S 1/2016 Lane et al.
 D750,490 S 3/2016 Moore et al.
 D754,535 S 4/2016 Kim
 D754,540 S * 4/2016 Wang D9/434
 D758,127 S 6/2016 Zhao
 9,392,893 B2 7/2016 Sorensen et al.
 D768,491 S 10/2016 Sorensen et al.
 D781,703 S 3/2017 Strachan
 D782,310 S 3/2017 Li
 D793,154 S 8/2017 Sorensen et al.
 9,790,007 B2 10/2017 Sorensen et al.
 D806,469 S * 1/2018 Palmer B65D 47/043
 D7/392.1
 D814,855 S 4/2018 Hammer
 D831,482 S 10/2018 Meyers
 D852,625 S 7/2019 Meyers
 D855,402 S * 8/2019 Steinmann D7/510
 D861,419 S * 10/2019 Omdahl, II D7/396.1
 D862,224 S * 10/2019 Meyers D9/435
 2002/0179604 A1 12/2002 Germain et al.
 2003/0052126 A1 3/2003 Zettle et al.
 2006/0226110 A1 10/2006 Choi et al.
 2008/0099514 A1 5/2008 Carter et al.
 2008/0257899 A1 10/2008 Nhilaker et al.
 2010/0224631 A1 9/2010 Roth et al.
 2011/0017760 A1 1/2011 Newman
 2011/0139800 A1 6/2011 Urban
 2011/0253733 A1 10/2011 Meyers et al.
 2012/0055818 A1 3/2012 Zimmem
 2012/0061398 A1 3/2012 Nilsson
 2013/0062304 A1 3/2013 Meyers et al.
 2014/0069918 A1 3/2014 Meyers et al.
 2014/0299614 A1 10/2014 Mithal
 2014/0263324 A1 11/2014 Latham et al.
 2014/0360908 A1 12/2014 Sorensen et al.
 2015/0014322 A1 1/2015 Kim
 2015/0201773 A1 7/2015 Sorensen et al.
 2015/0201774 A1 7/2015 Sorensen et al.
 2015/0201775 A1 7/2015 Sorensen et al.
 2015/0329255 A1 * 11/2015 Rzepecki B65D 43/16
 222/189.06
 2016/0007780 A1 1/2016 Dolan et al.
 2017/0313478 A1 11/2017 Ei-Saden et al.
 2018/0050850 A1 2/2018 Murosky et al.

OTHER PUBLICATIONS

Beachbody on Demand. 11 Water Bottles We're Lusting After. Apr. 15, 2016 [earliest online date], [site visited Oct. 11, 2017]. Available from Internet, <URL: <https://www.beachbodyondemand.com/blog/11-water-bottles-were-lusting-after>>. {Year: 2016}.
 Amazon. Duo Classic protein Shaker Bottle. Jul. 30, 2014 [earliest online date], [site visited Oct. 11, 2017]. Available from Internet, <URL:<https://www.amazon.com/Duo-Ciassic--Protein-Shaker-Bottle/dp/BOOJ9XRIEU?th=1>>. {Year: 2014}.

* cited by examiner

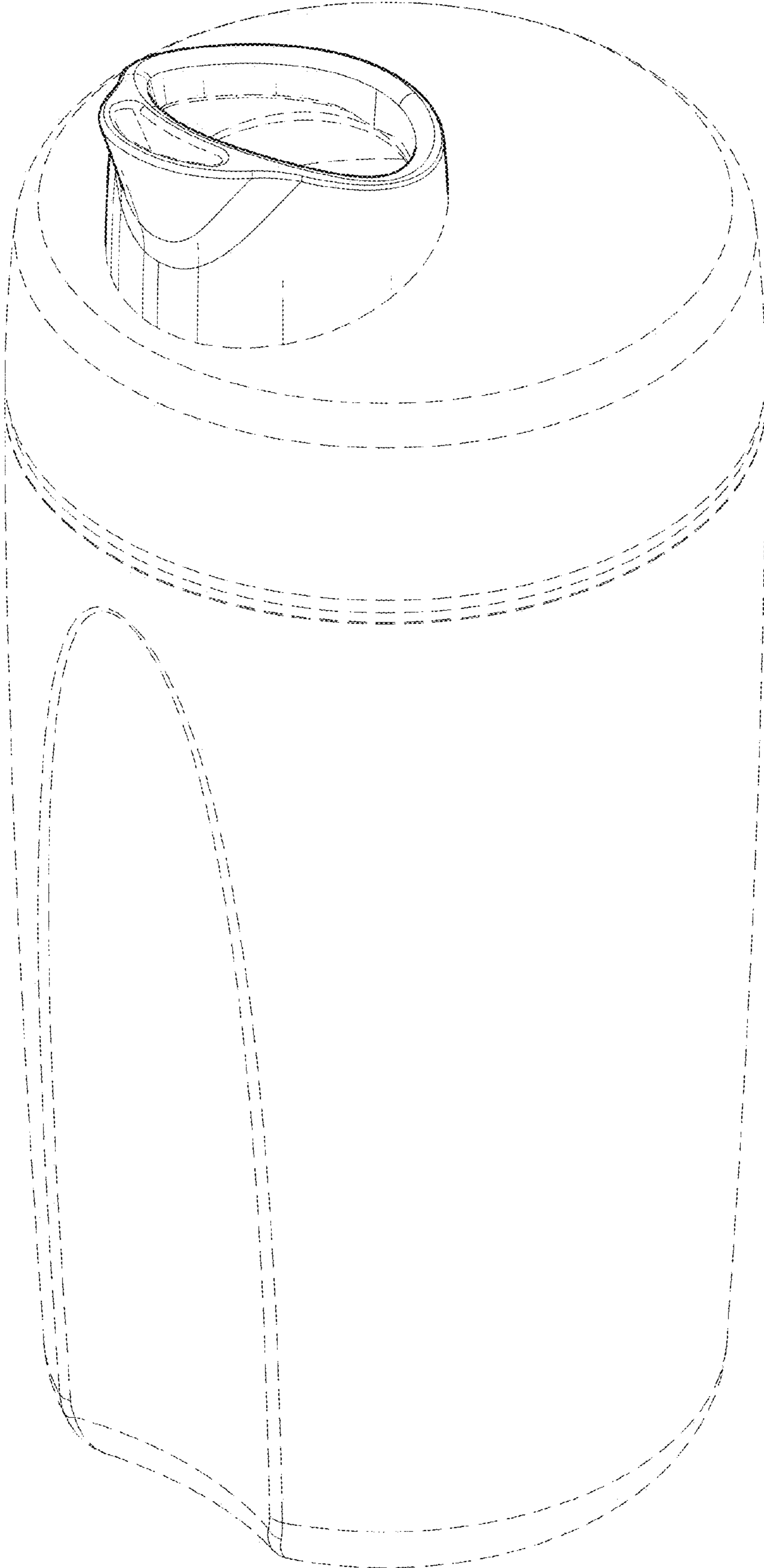


FIG. 1

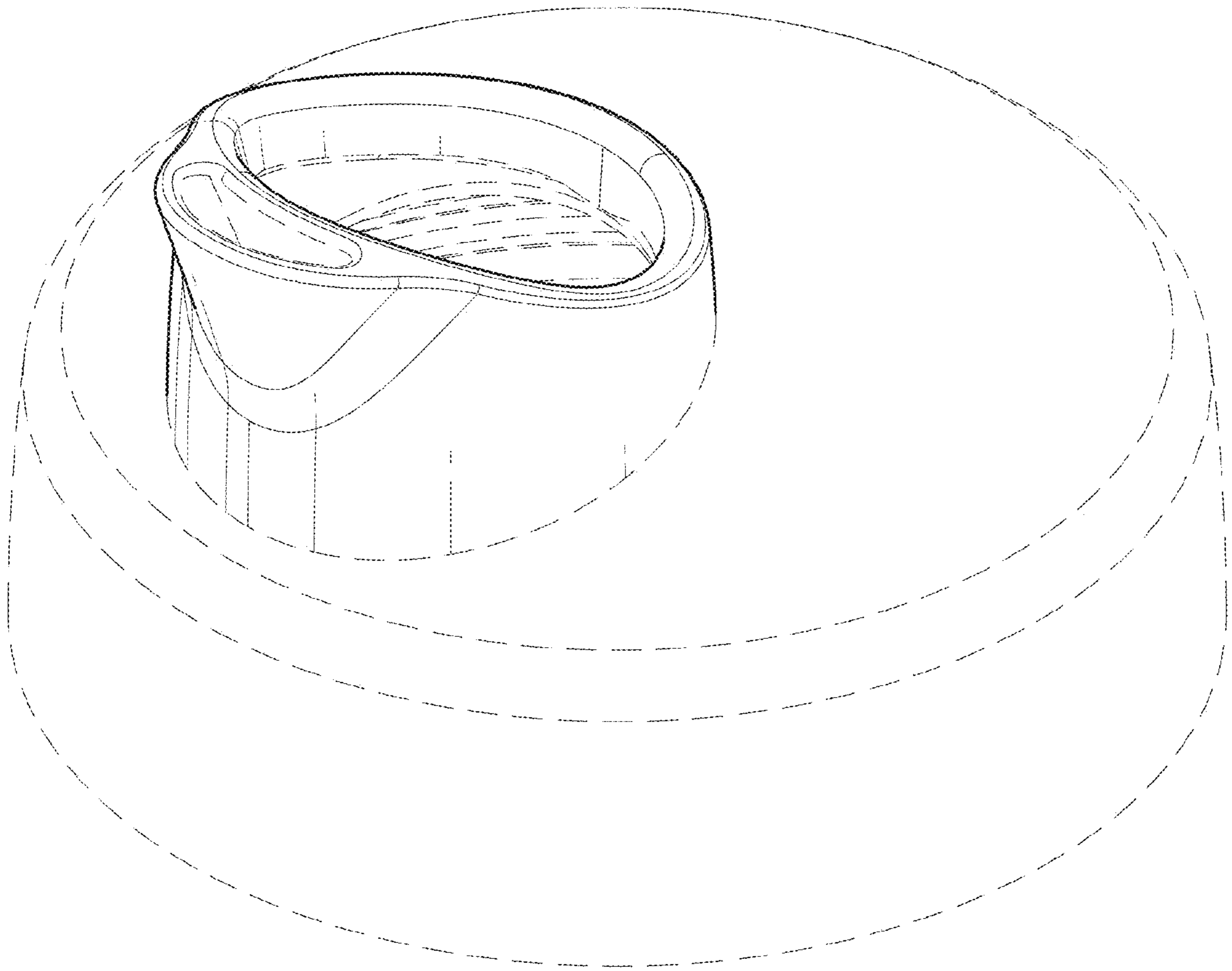


FIG. 2

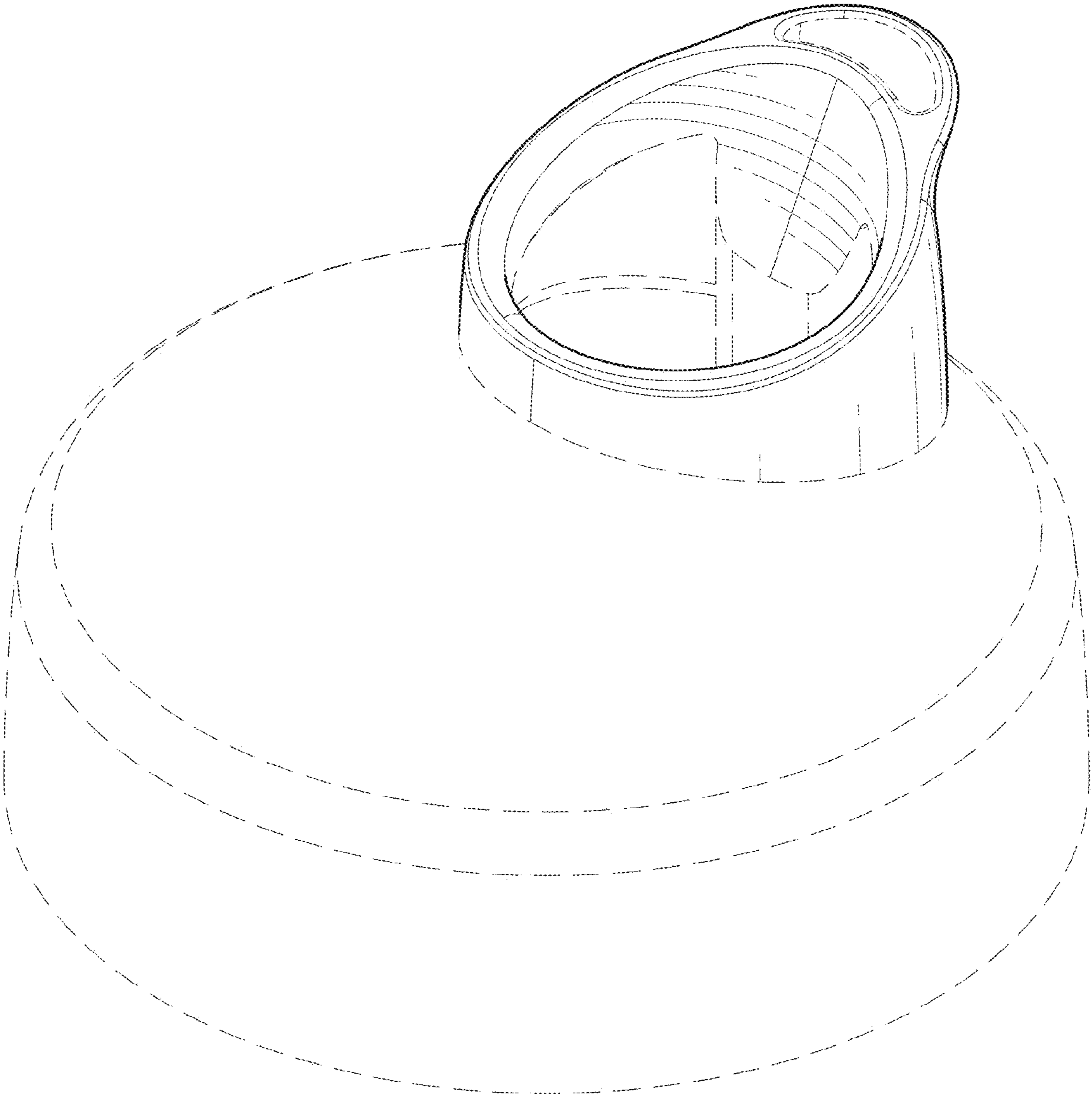


FIG. 3

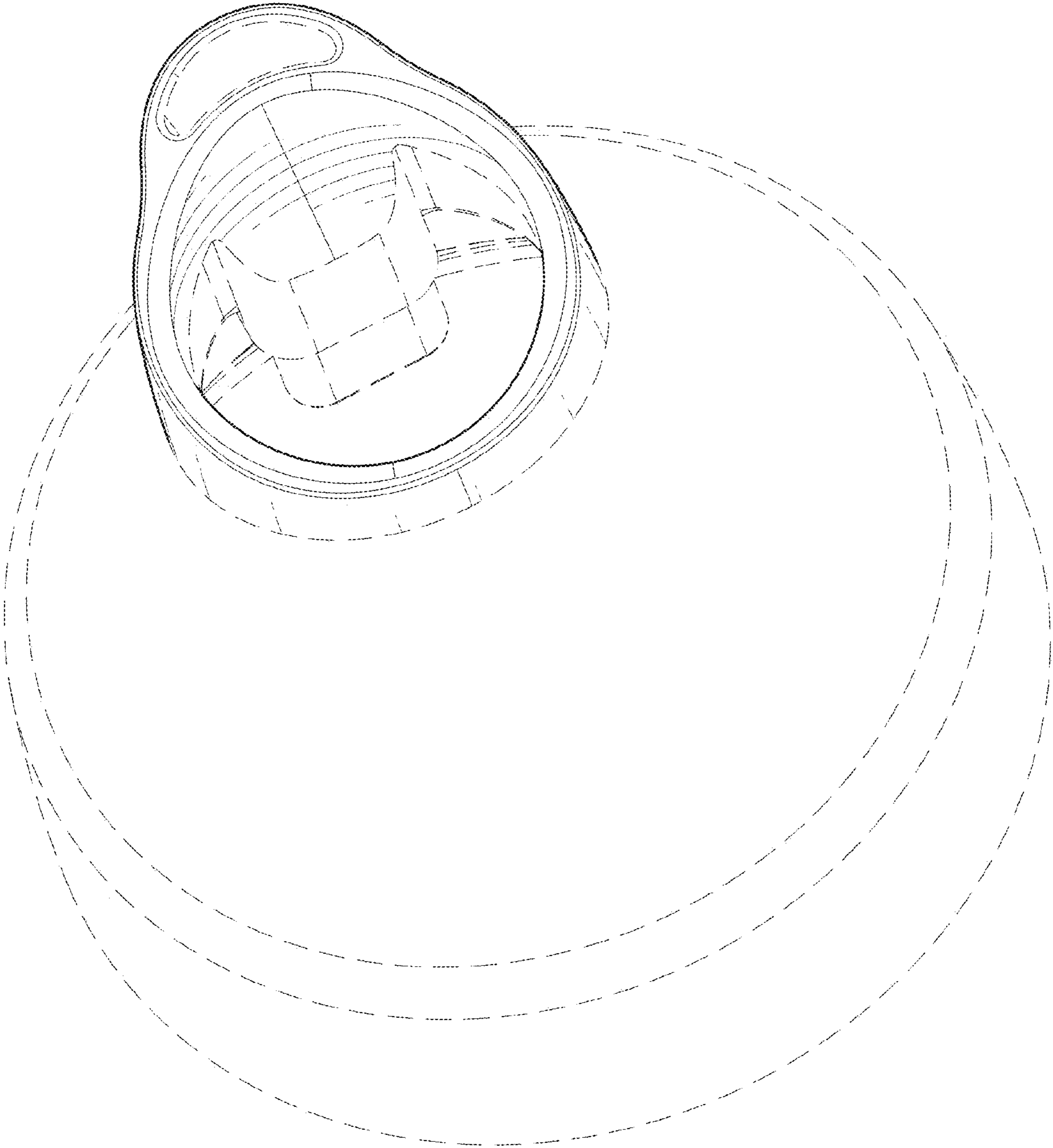


FIG. 4

UNITED STATES PATENT AND TRADEMARK OFFICE
CERTIFICATE OF CORRECTION

PATENT NO. : D886,521 S
APPLICATION NO. : 29/703302
DATED : June 9, 2020
INVENTOR(S) : David O. Meyers

Page 1 of 1

It is certified that error appears in the above-identified patent and that said Letters Patent is hereby corrected as shown below:

On the Title Page


Item [63], replace:

“Division of application No. 29/580,621, filed on Oct. 11, 2016, now Pat. No. Des. 863,877, which is a continuation of application No. 15/213,360, filed on Jul. 18, 2016, now Pat. No. 10,028,603, which is a continuation of application No. 14/598,090, filed on Jan. 15, 2015, now Pat. No. 10,172,488, which is a continuation of application No. 29/514,766, filed on Jan. 15 2015, now Pat. No. Des. 768,491, which is a continuation of application No. 14/598,075, filed on Jan. 15, 2015, now Pat. No. 9,392,893, which is a continuation of application No. 14/598,087, filed on Jan. 15, 2015, now Pat. No. 10,004,348.”

With:

--Division of application No. 29/580,621, filed on Oct. 11, 2016, now Pat. No. Des. 863,877, which is a continuation of application No. 29/514,766, filed on Jan. 15, 2015, now Pat. No. Des. 768,491, and is a continuation of application No. 15/213,360, filed on Jul. 18, 2016, now Pat. No. 10,028,603, and is a continuation of application No. 14/598,087, filed on Jan. 15, 2015, now Pat. No. 10,004,348, and is a continuation of application No. 14/598,090, filed on Jan. 15, 2015, now Pat. No. 10,172,488. Said application No. 15/213,360 is a continuation of application No. 14/598,075, filed on Jan. 15, 2015, now Pat. No. 9,392,893.--

Signed and Sealed this
Fifteenth Day of December, 2020



Andrei Iancu
Director of the United States Patent and Trademark Office