



US00D886518S

(12) **United States Design Patent**
Li

(10) **Patent No.:** **US D886,518 S**
(45) **Date of Patent:** **** Jun. 9, 2020**

- (54) **STRAW LID**
- (71) Applicant: **ChaoWu Li**, Qidong (CN)
- (72) Inventor: **ChaoWu Li**, Qidong (CN)
- (**) Term: **15 Years**
- (21) Appl. No.: **29/719,517**
- (22) Filed: **Jan. 6, 2020**
- (51) **LOC (12) Cl.** **07-01**
- (52) **U.S. Cl.**
USPC **D7/392.1; D7/396.2**
- (58) **Field of Classification Search**
USPC D7/517, 519, 510, 511, 523, 532, 300,
D7/300.1, 313, 529, 530, 531, 392.1,
D7/396.2; D9/500, 501, 502, 503, 504,
D9/516, 530, 539, 549, 562, 571, 574,
D9/575, 453, 435, 436, 443, 449, 454
CPC A47G 19/22; A47G 19/2288; A47G
19/2205; A47J 43/27; A47J 41/0077;
A47J 41/0088
See application file for complete search history.

(56) **References Cited**

U.S. PATENT DOCUMENTS

- 5,425,467 A * 6/1995 Feer B65D 21/0219
220/281
- D468,582 S * 1/2003 Seager D7/392.1
- D542,653 S * 5/2007 Chadfield D9/445
- D704,986 S * 5/2014 Manies D7/392.1

- D721,535 S 1/2015 Chapman et al.
- D799,970 S * 10/2017 Steel D9/529
- D803,051 S * 11/2017 Engel D9/436
- D804,903 S 12/2017 Mason et al.
- D810,500 S * 2/2018 Maple D7/392.1
- D810,506 S 2/2018 Erickson et al.
- D848,786 S * 5/2019 Bujalska D7/392.1
- D863,879 S * 10/2019 Merrigan D7/396.2
- D870,509 S * 12/2019 Bo D7/392.1

* cited by examiner

Primary Examiner — Jae Liang

(74) *Attorney, Agent, or Firm* — HYIP

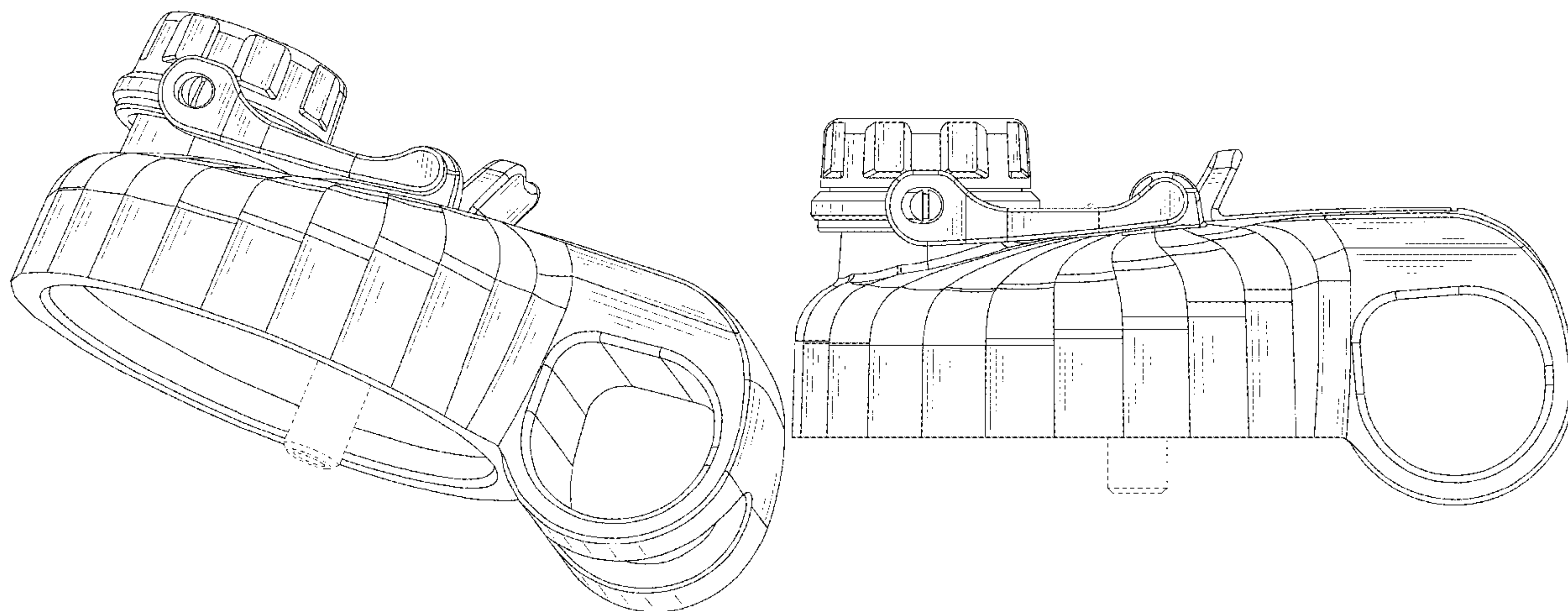
(57) **CLAIM**

The ornamental design for a straw lid, as shown and described.

DESCRIPTION

FIG. 1 is a perspective view of a straw lid showing my new design;
 FIG. 2 is a front view thereof;
 FIG. 3 is a back view thereof;
 FIG. 4 is a left side view thereof;
 FIG. 5 is a right side view thereof;
 FIG. 6 is a top view thereof; and,
 FIG. 7 is a bottom view thereof.
 The broke lines in the drawings depict portions of the straw lid that form no part of the claimed design.

1 Claim, 7 Drawing Sheets



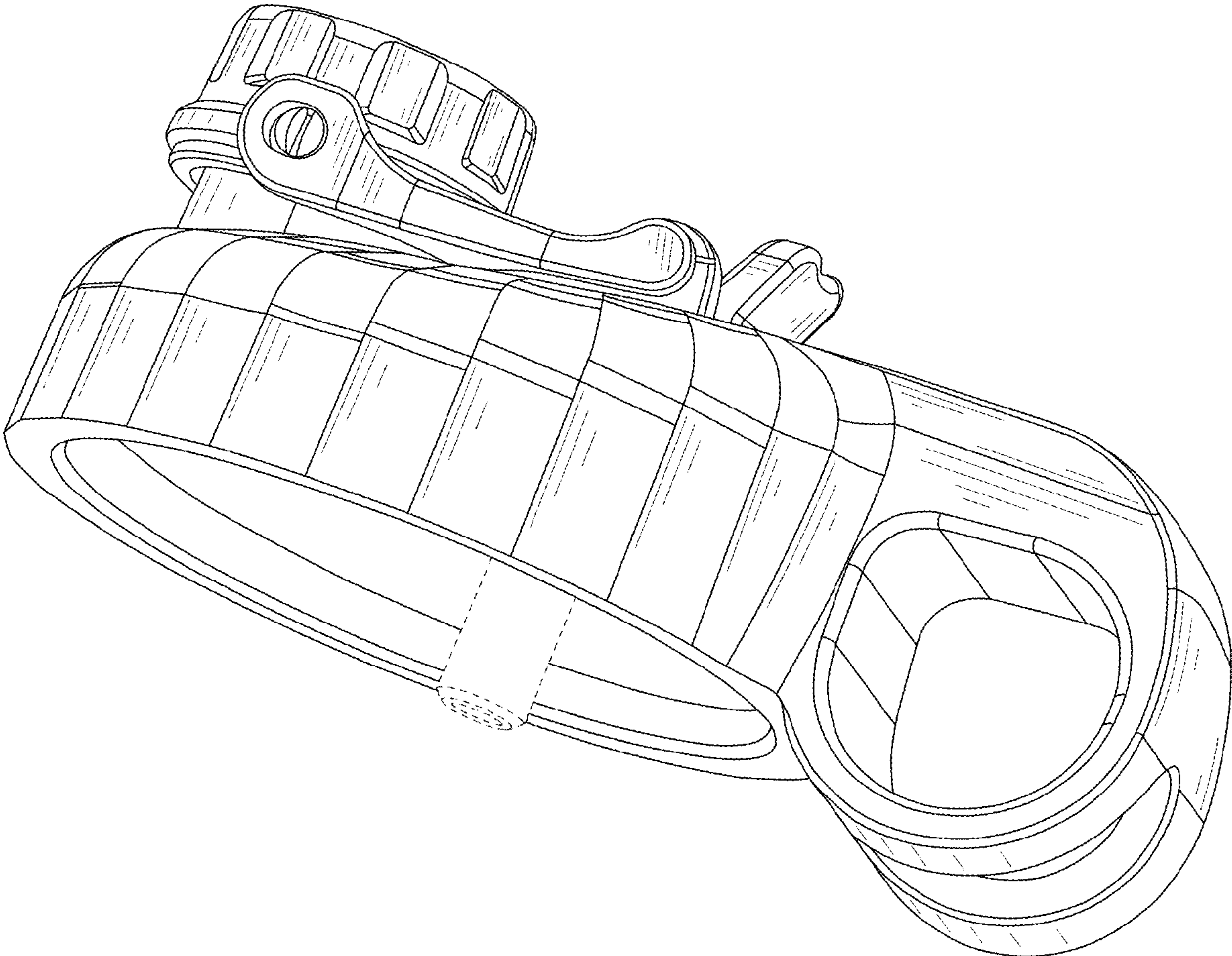


FIG. 1

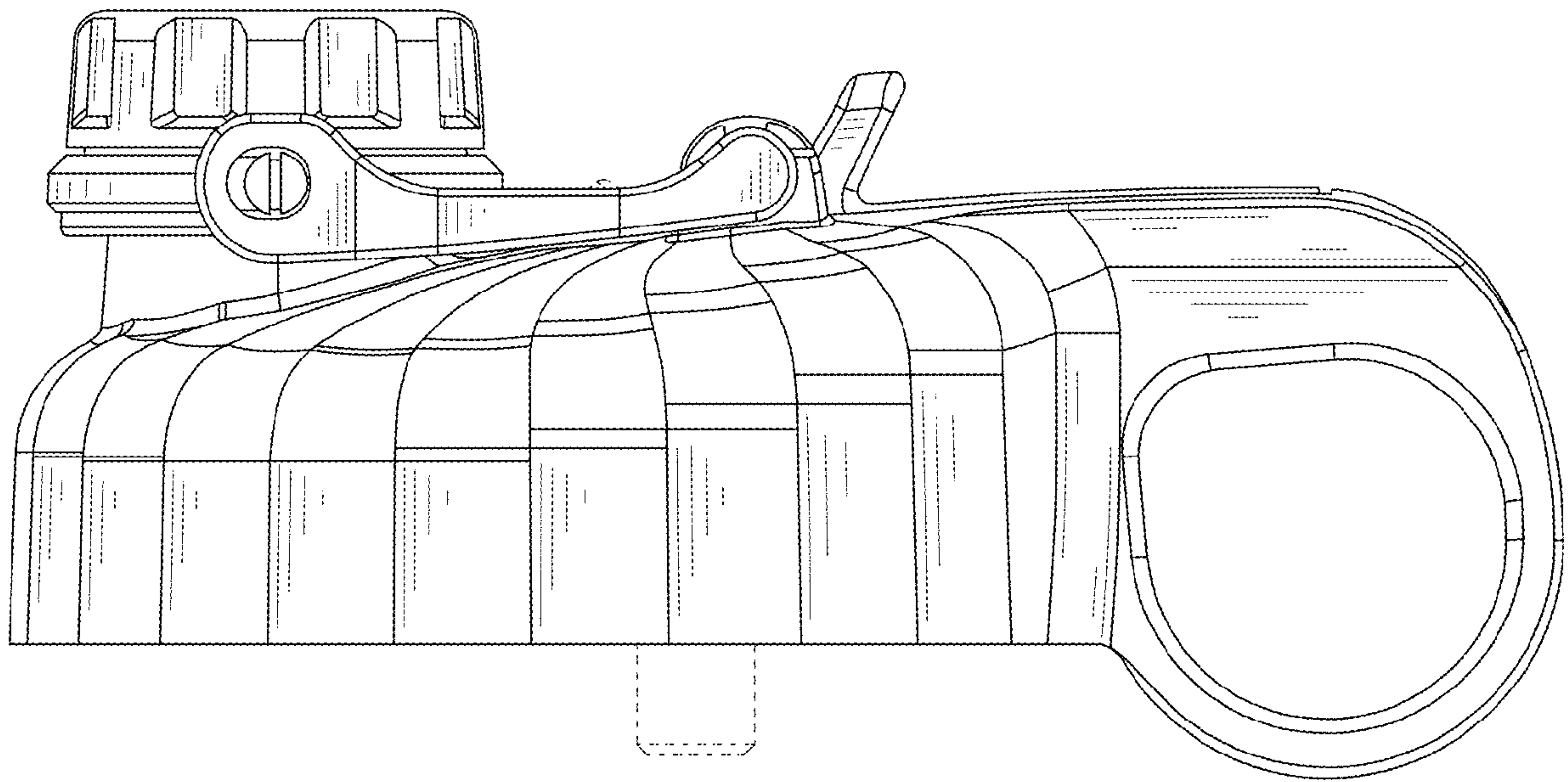


FIG. 2

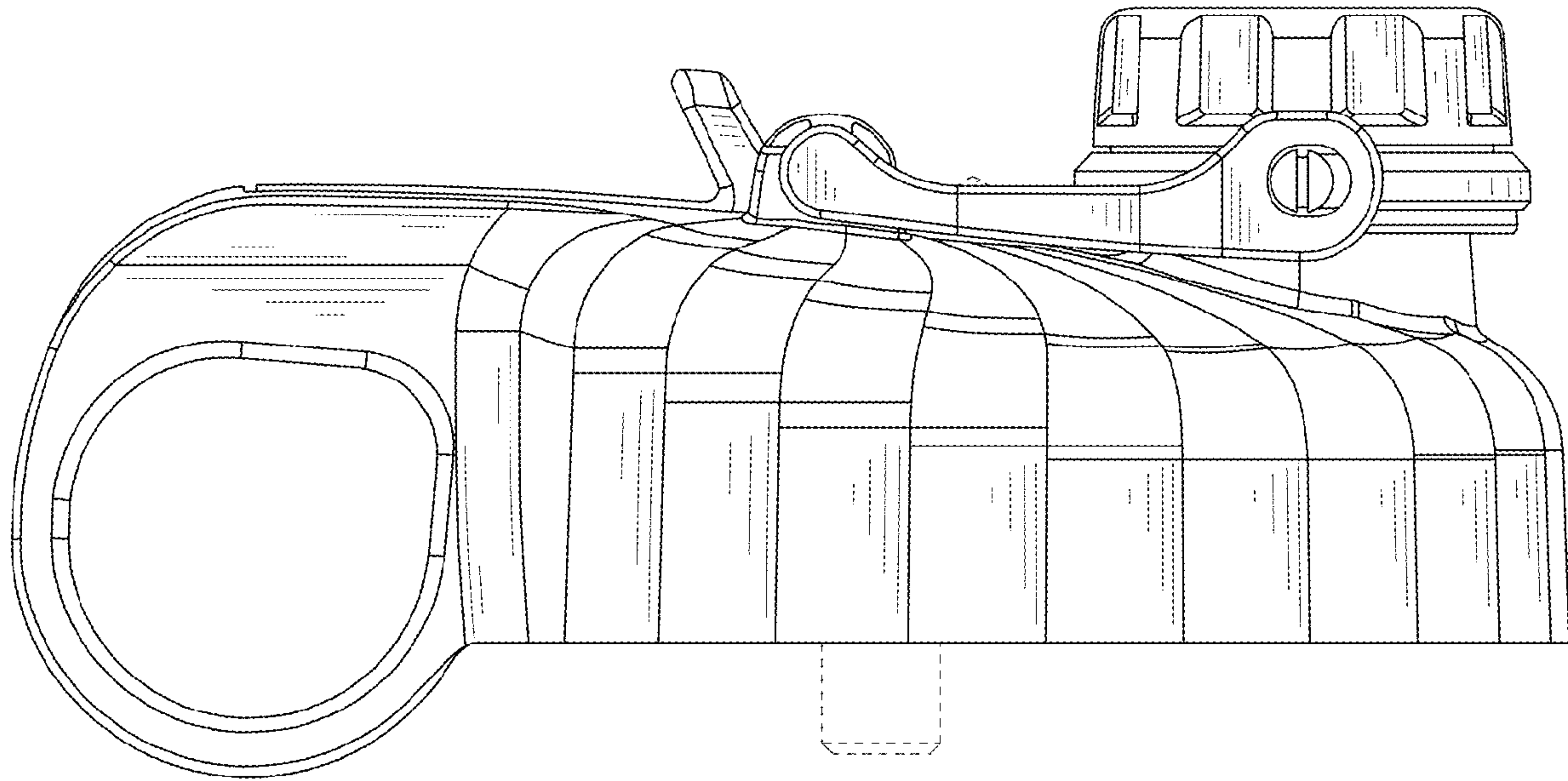


FIG. 3

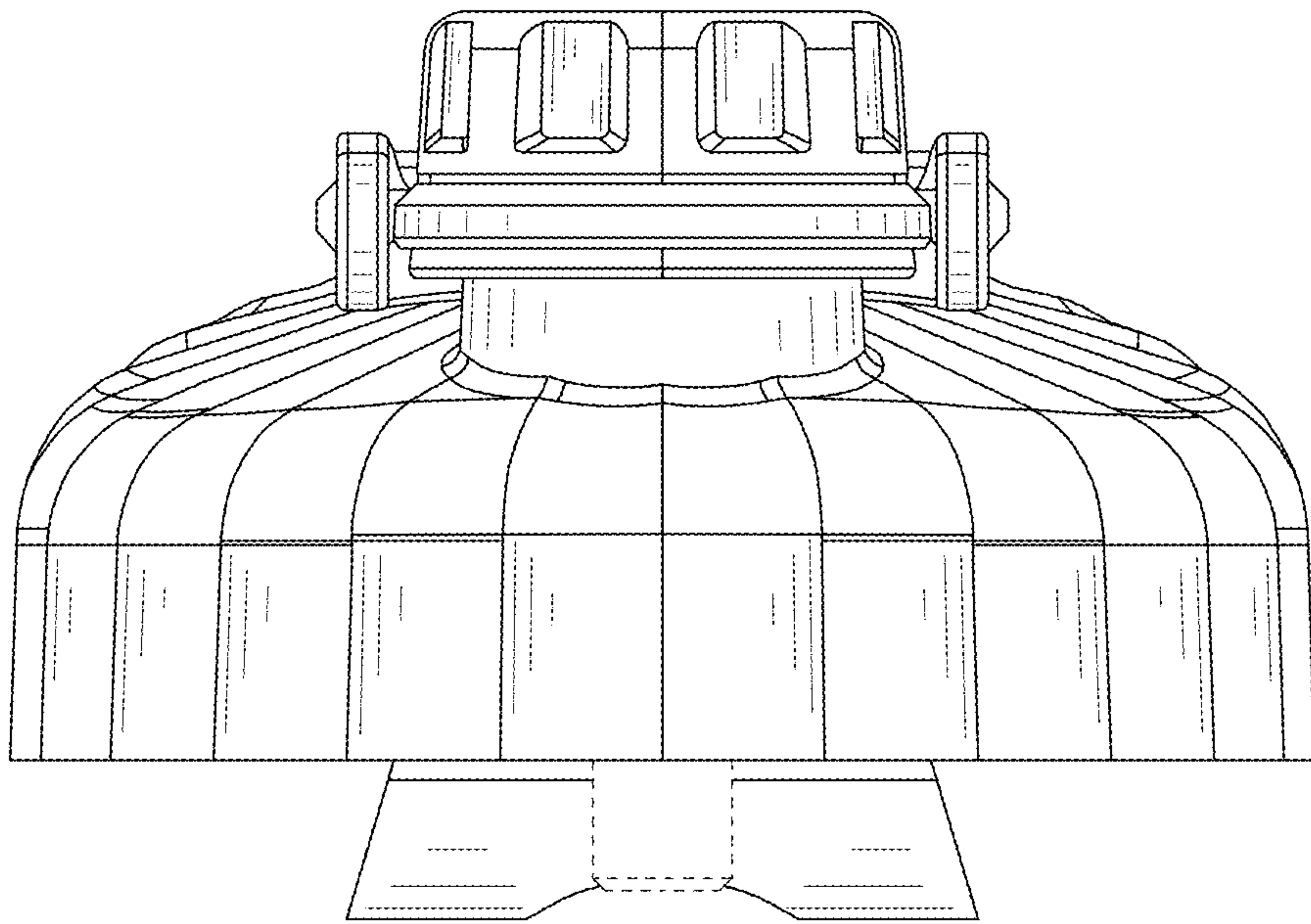


FIG. 4

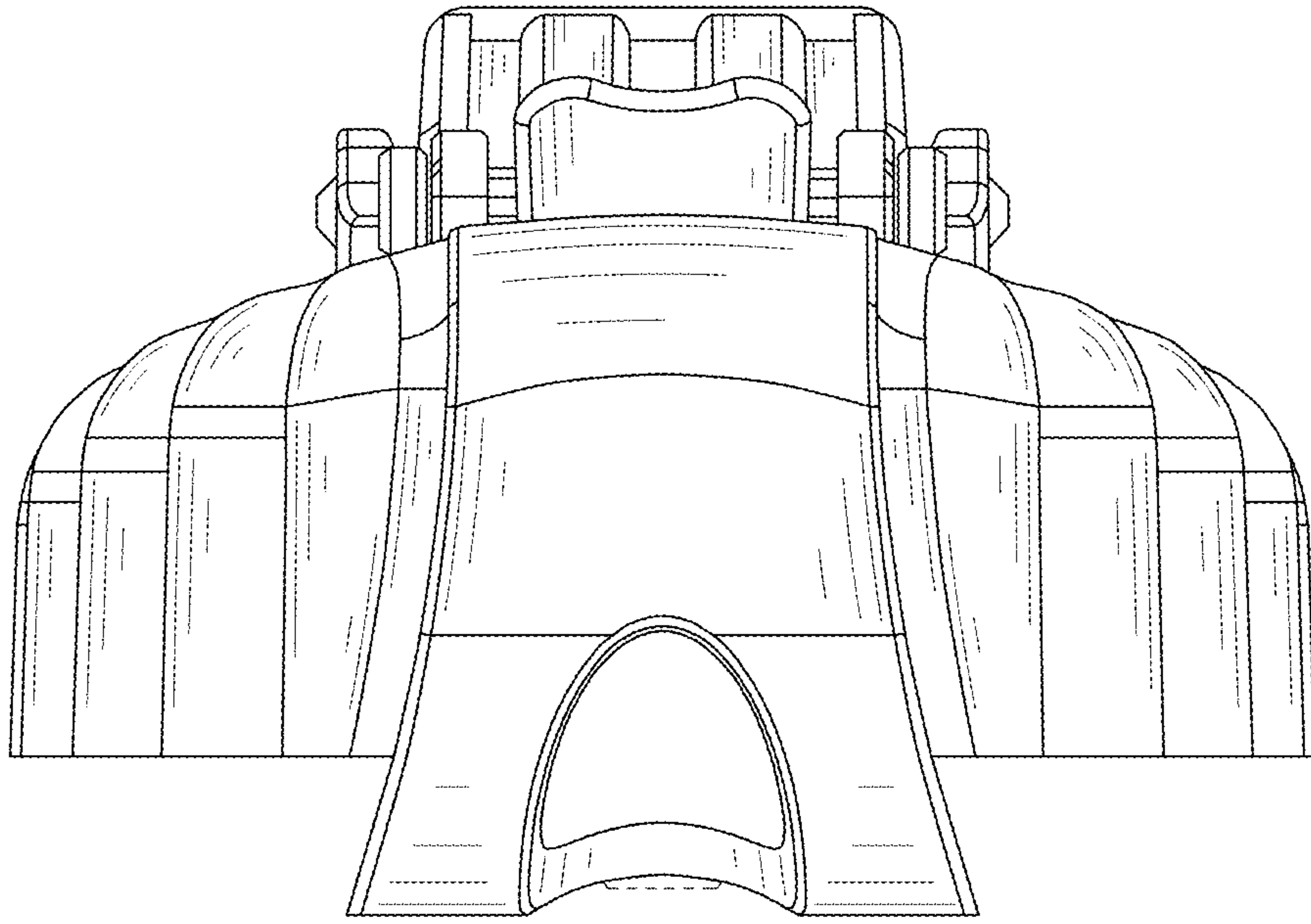


FIG. 5

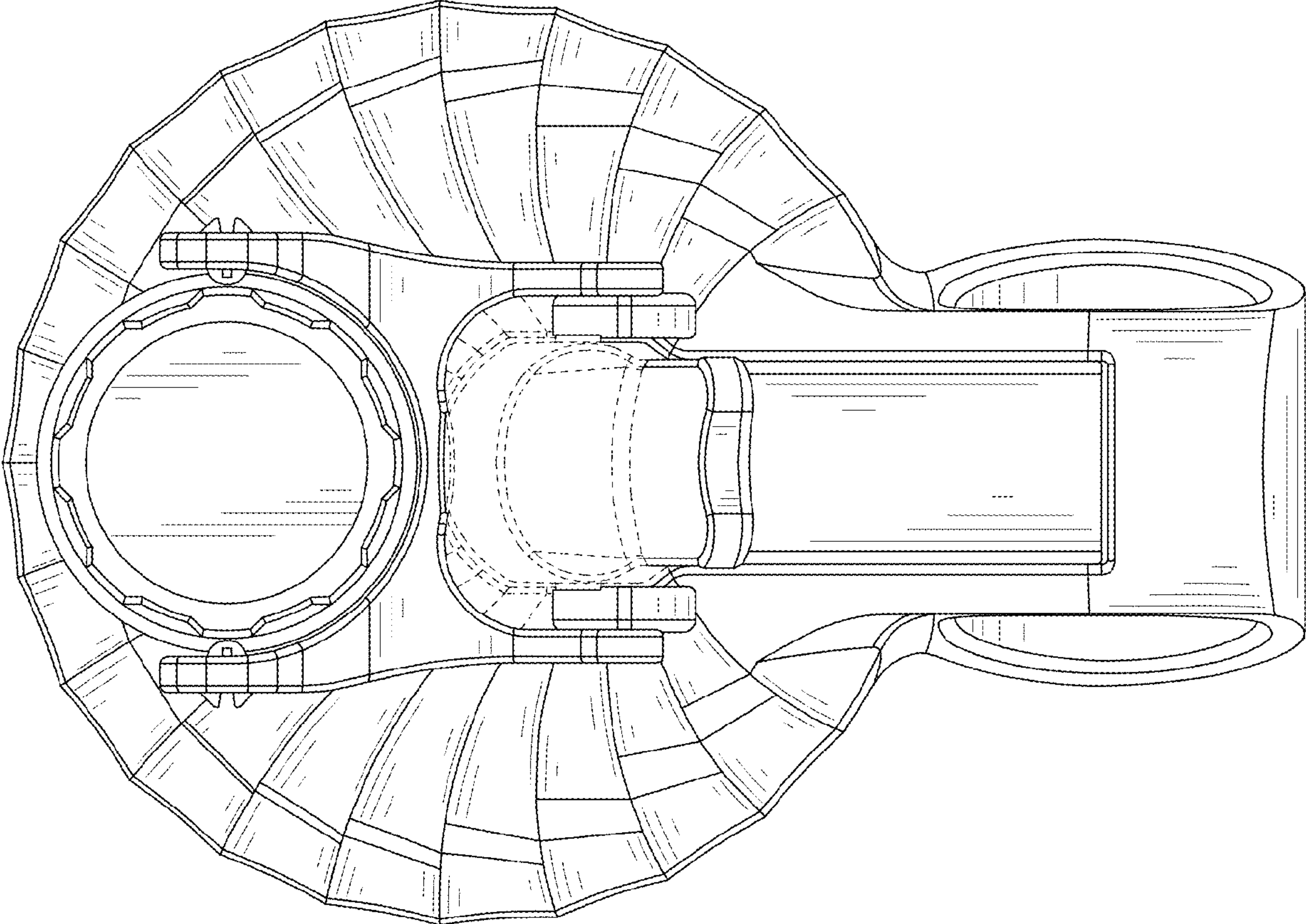


FIG. 6

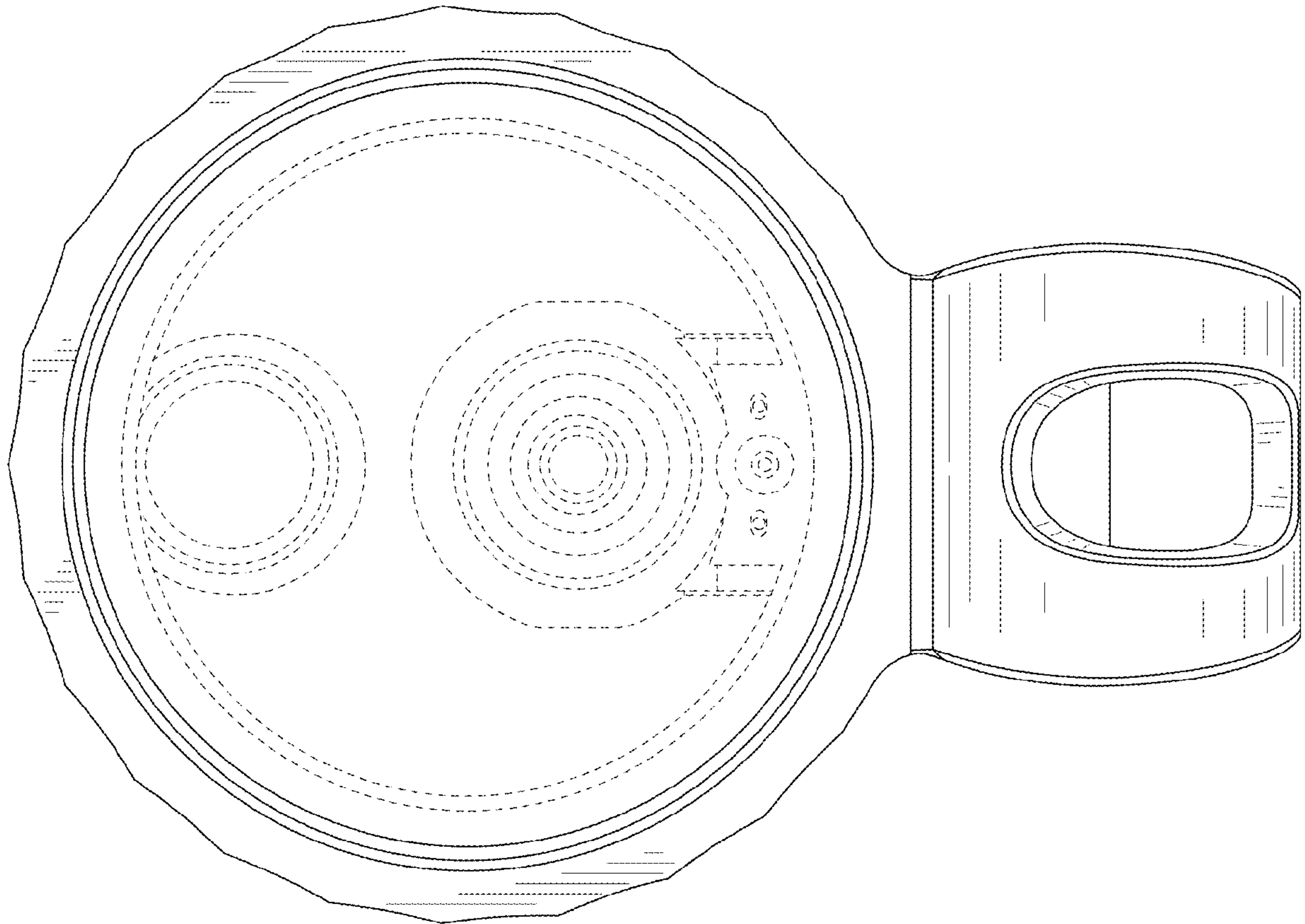


FIG. 7