



US00D886517S

(12) **United States Design Patent** (10) **Patent No.:** **US D886,517 S**
Bo (45) **Date of Patent:** **** Jun. 9, 2020**

(54) **WATER BOTTLE STRAW LID**
(71) Applicant: **Yongkang Qiqing Industry and Trade Co., Ltd., Yongkang (CN)**
(72) Inventor: **Zhang Bo, Gongxian (CN)**
(**) Term: **15 Years**
(21) Appl. No.: **29/708,841**
(22) Filed: **Oct. 10, 2019**
(51) **LOC (12) Cl.** **07-01**
(52) **U.S. Cl.**
USPC **D7/392.1; D7/396.2; D9/443; D9/435**
(58) **Field of Classification Search**
USPC D7/509, 510, 511, 523, 529, 532, 530, D7/531, 533, 536, 318, 319, 507, 524, D7/392.1, 396.2, 300.2; D9/503, 504, D9/440, 449, 450, 609, 601, 435, 436, D9/684, 688, 728, 686, 443, 439; D3/202
CPC A47G 19/22; A47G 19/2288; A47G 19/2205; A47G 19/2272; B65D 1/265; A47J 41/0077; A47J 41/0088; A47J 41/028
See application file for complete search history.

(56) **References Cited**
U.S. PATENT DOCUMENTS
D547,607 S 7/2007 Forsman
D591,108 S 4/2009 Pesach et al.
D596,459 S 7/2009 Ghiassi
D629,644 S 12/2010 Zhuang et al.
D704,986 S * 5/2014 Manies D7/392.1
D720,218 S * 12/2014 Hutson D9/443
D734,151 S 7/2015 Herbst
D768,439 S * 10/2016 Shin D7/510

D786,012 S * 5/2017 Hein D7/396.2
D799,320 S * 10/2017 Goodwin D7/392.1
9,776,777 B2 * 10/2017 Gorbald B65D 51/242
D806,468 S * 1/2018 Goodwin D7/392.1
D811,162 S * 2/2018 Rane D7/396.2
D812,966 S * 3/2018 Murosky D7/392.1
D835,938 S * 12/2018 Zou D7/392.1
D857,446 S * 8/2019 Bell D7/392.1
D862,985 S * 10/2019 Backs D7/511
D867,812 S * 11/2019 Lane D7/392.1
D868,534 S * 12/2019 Lin D7/392.1
D870,508 S * 12/2019 Palkon D7/392.1
D870,509 S * 12/2019 Bo D7/392.1
D871,144 S * 12/2019 Zhang D7/510
D872,522 S * 1/2020 Diener D7/392.1
D872,524 S * 1/2020 Bo D7/392.1
2016/0318693 A1 * 11/2016 Hein B65D 51/242

* cited by examiner

Primary Examiner — Jae Liang
(74) *Attorney, Agent, or Firm* — KA Filing LLC; Wayne V. Harper

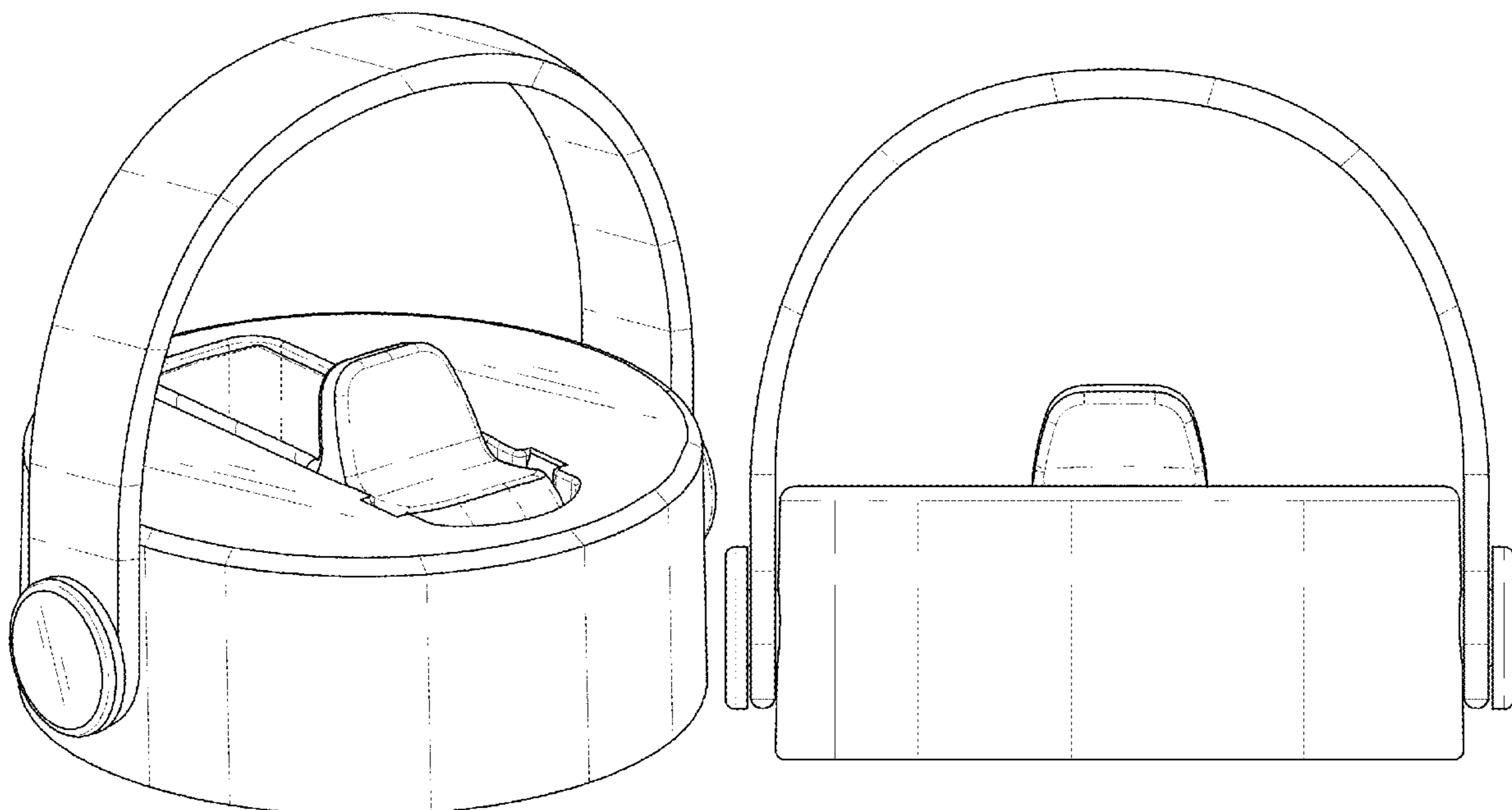
(57) **CLAIM**

I claim the ornamental design for a water bottle straw lid, as shown and described.

DESCRIPTION

FIG. 1 is a perspective view of a water bottle straw lid showing my new design;
FIG. 2 is a front view thereof;
FIG. 3 is a back view thereof;
FIG. 4 is a right-side view thereof;
FIG. 5 is a left-side view thereof;
FIG. 6 is a top view thereof; and,
FIG. 7 is a bottom view thereof.
The broken lines are only for environmental purposes and form no part of the claimed design.

1 Claim, 7 Drawing Sheets



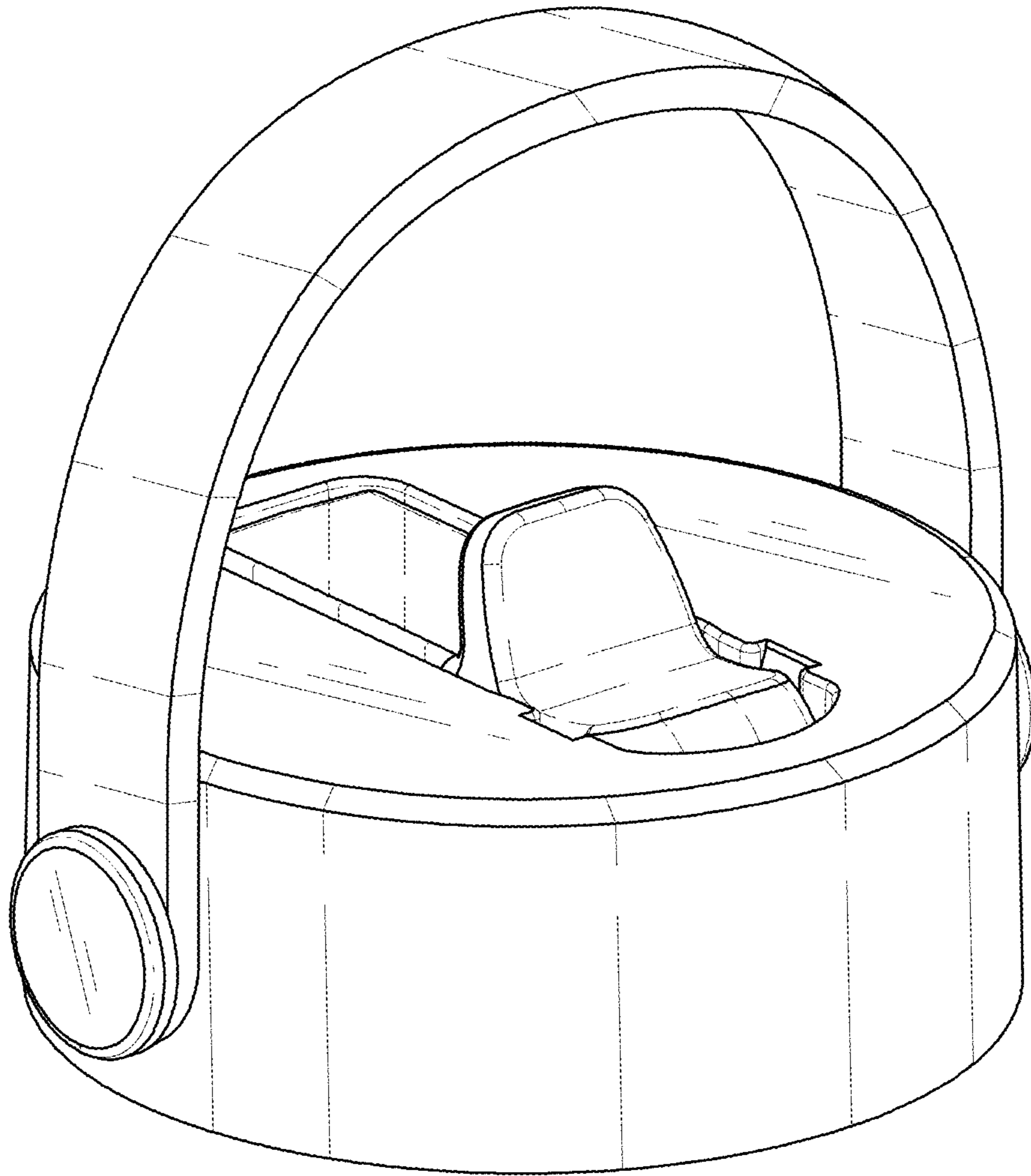


FIG. 1

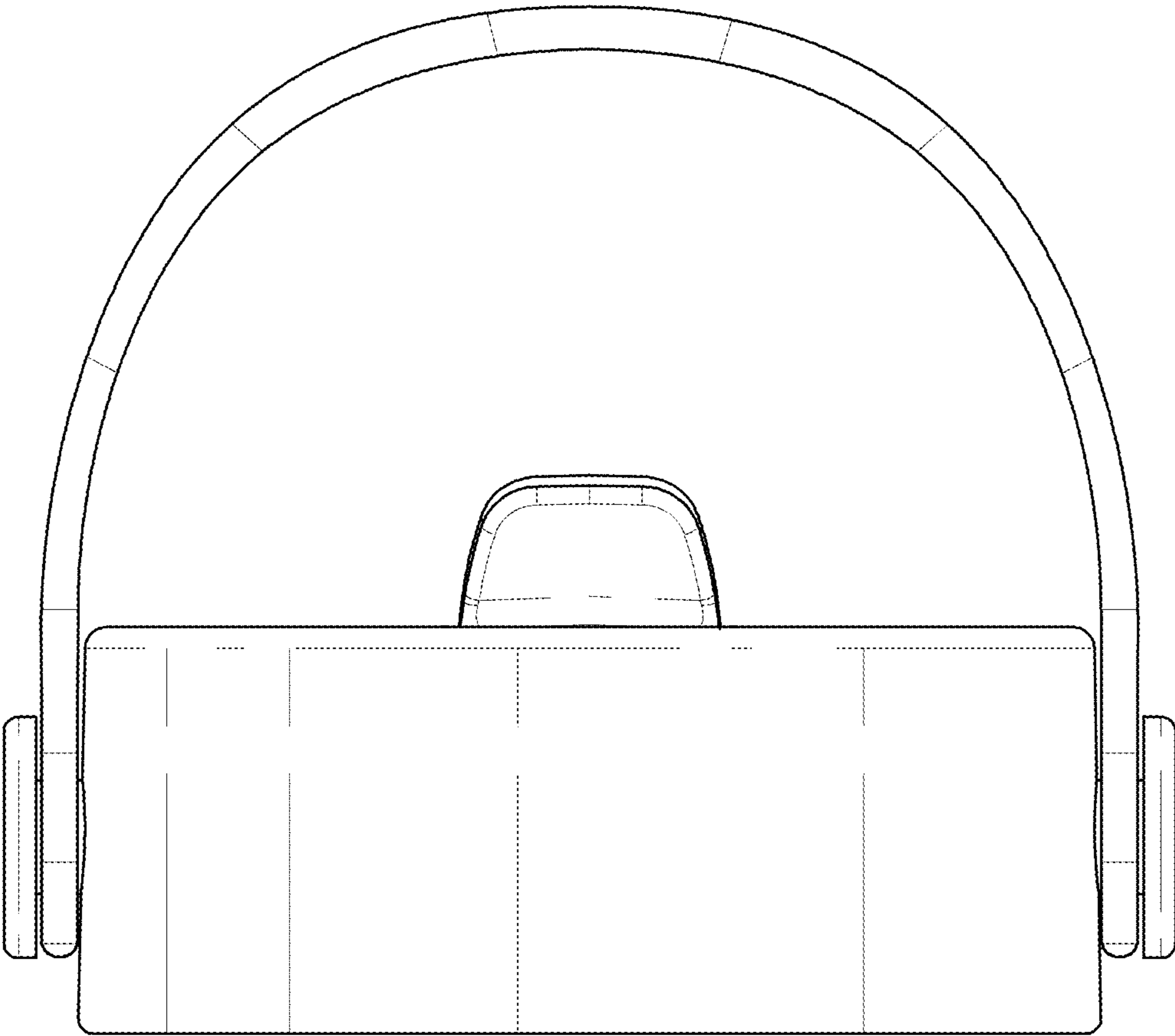


FIG. 2

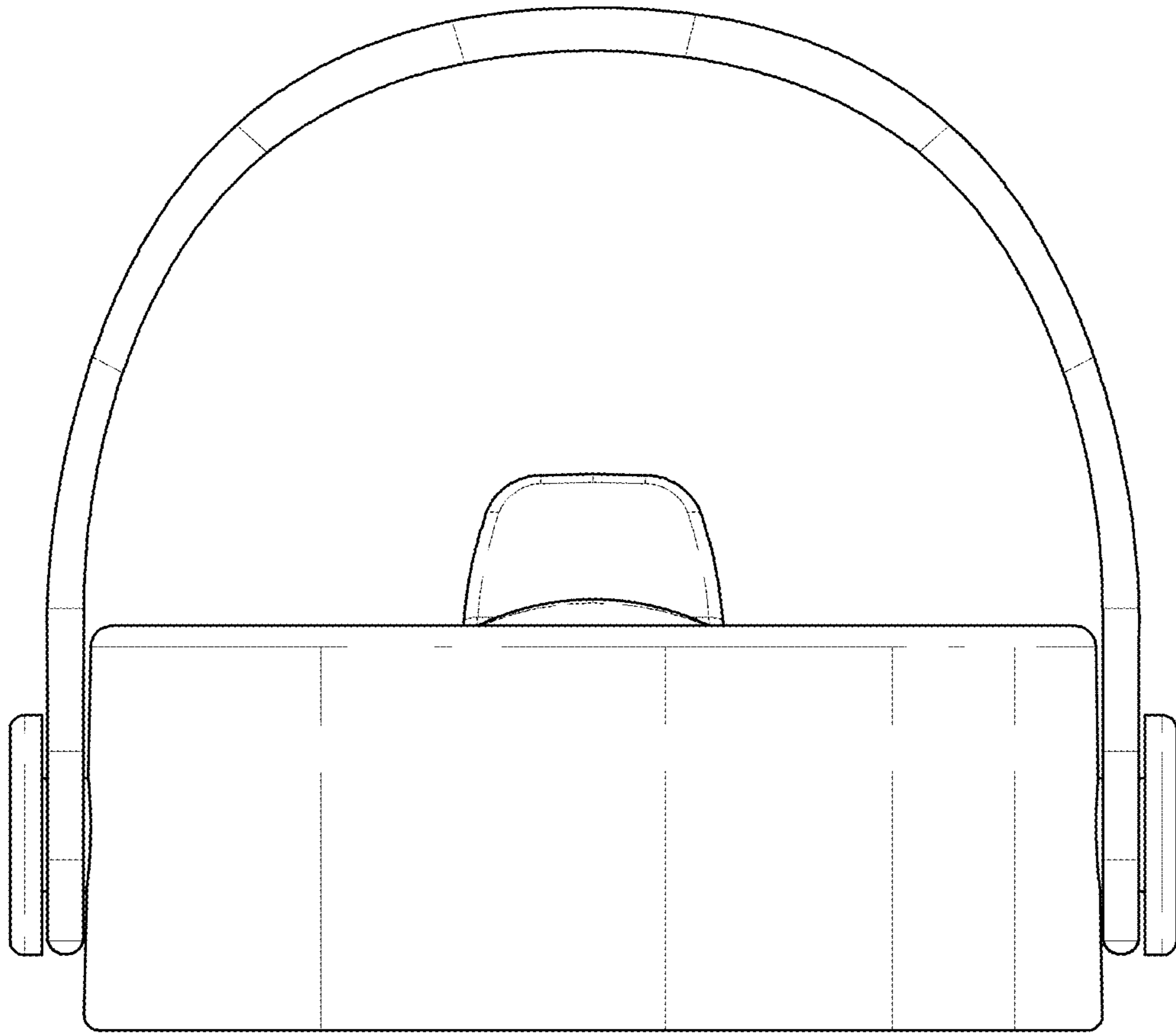


FIG. 3

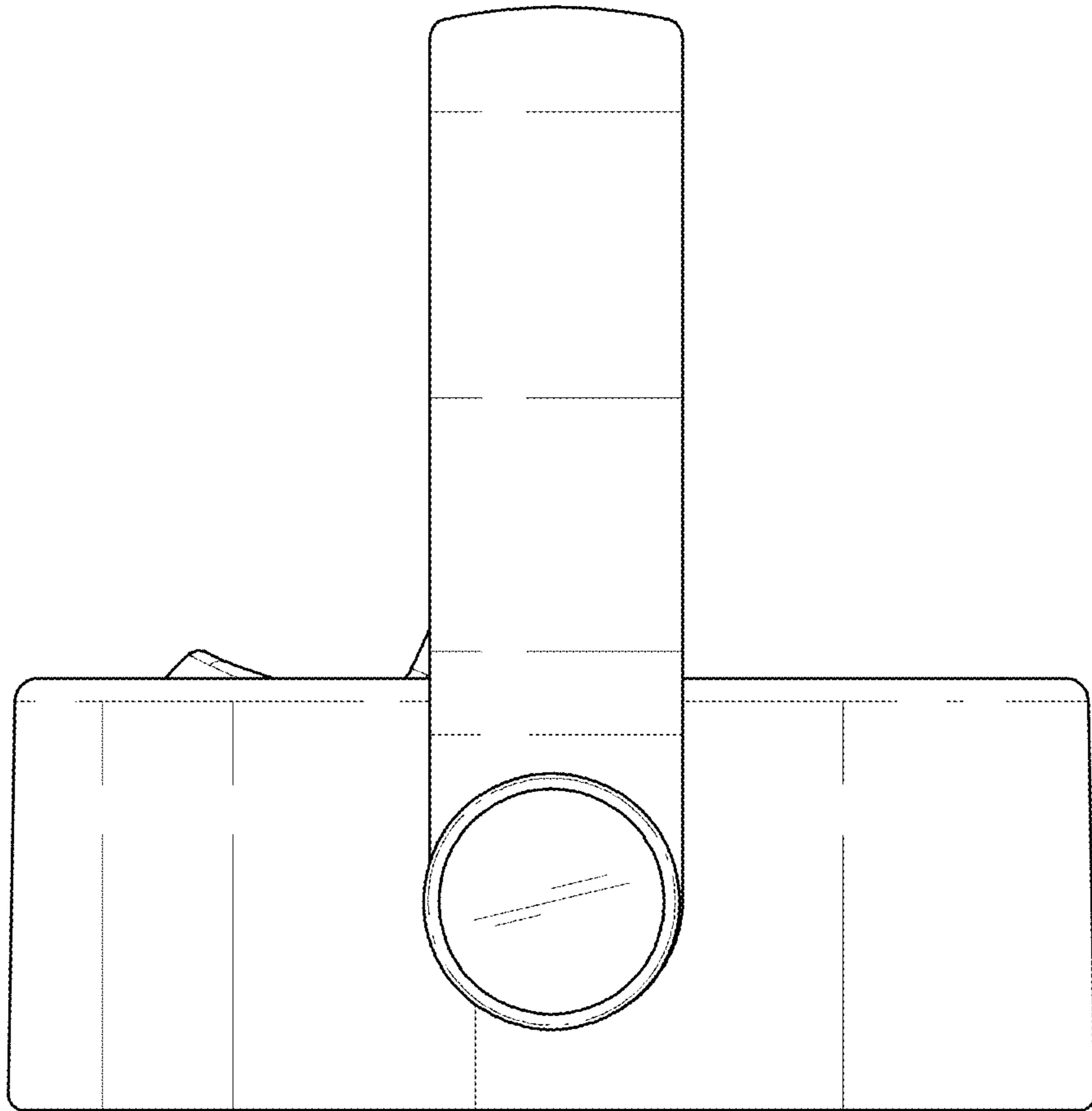


FIG. 4

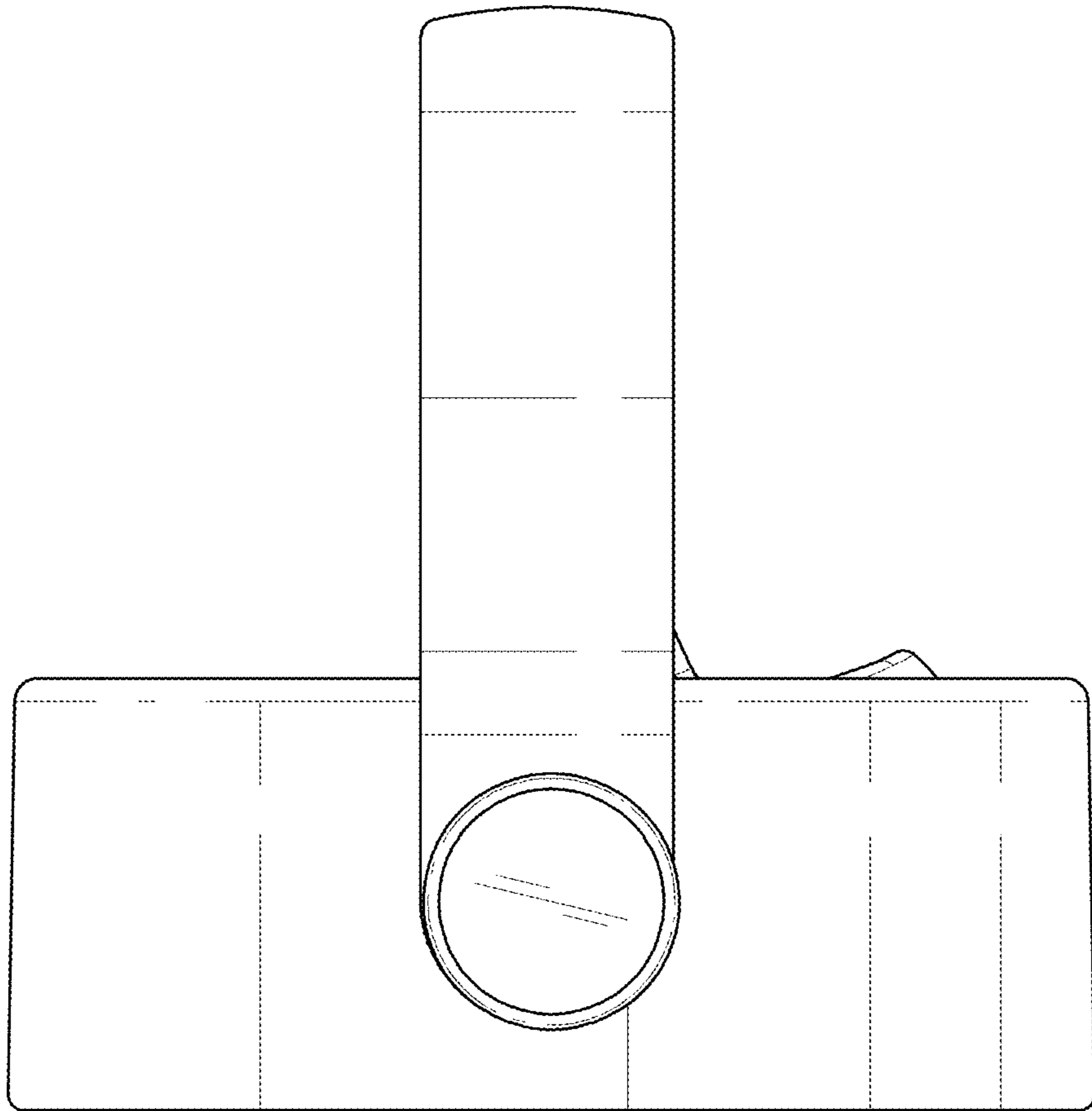


FIG. 5

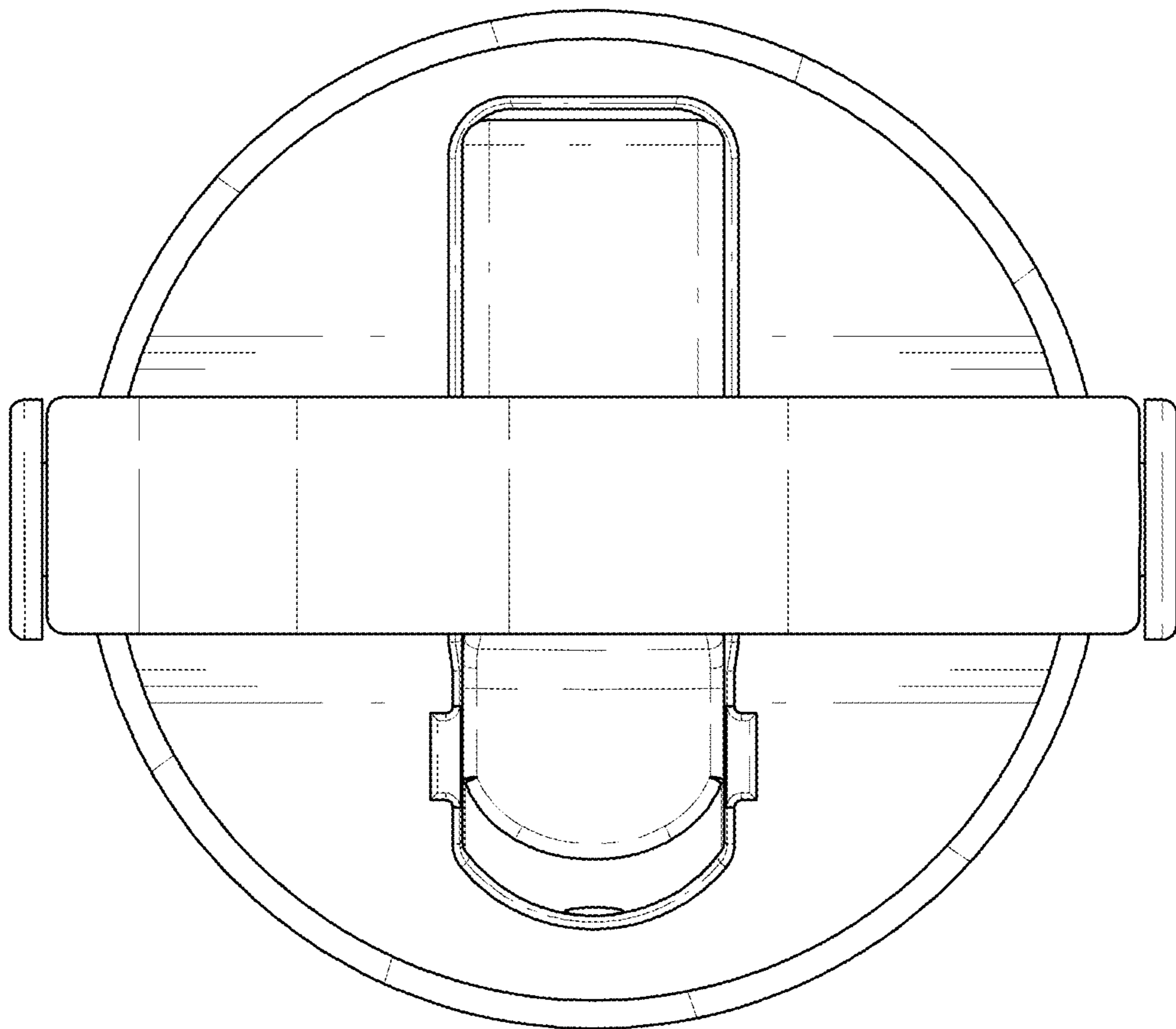


FIG. 6

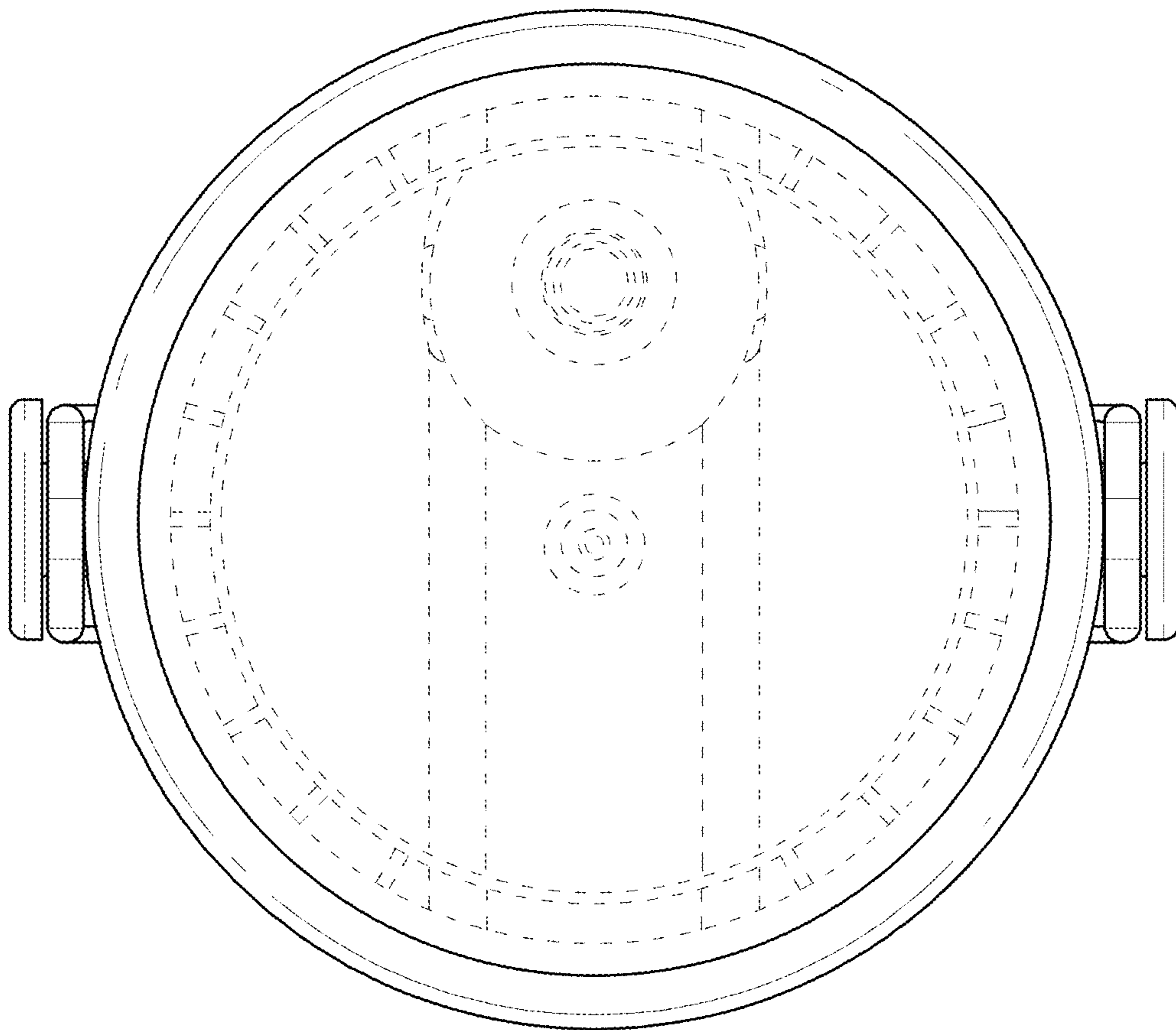


FIG. 7