



US00D886515S

(12) **United States Design Patent**
Eyal

(10) **Patent No.:** **US D886,515 S**

(45) **Date of Patent:** **** Jun. 9, 2020**

(54) **BEVERAGE CONTAINER LID**

(71) Applicant: **ETS EXPRESS, INC.**, Oxnard, CA (US)

(72) Inventor: **Sharon Eyal**, Oxnard, CA (US)

(73) Assignee: **ETS EXPRESS, INC.**, Oxnard, CA (US)

(**) Term: **15 Years**

(21) Appl. No.: **29/654,045**

(22) Filed: **Jun. 20, 2018**

(51) **LOC (12) Cl.** **07-99**

(52) **U.S. Cl.**
USPC **D7/392.1; D7/392**

(58) **Field of Classification Search**
USPC D7/300, 300.2, 301, 392, 392.1, 424, D7/430, 435, 443, 447, 449, 453, 454, D7/510, 511, 538, 540, 542, 543, 544, D7/545, 629, 635, 780; D23/207; D27/101
CPC A47G 21/18; A61J 7/0038; B65D 2517/0049
See application file for complete search history.

(56) **References Cited**

U.S. PATENT DOCUMENTS

| | | | | |
|--------------|---------|-----------|-------|----------|
| D116,511 S * | 9/1939 | Bernhardt | | D7/392 |
| D121,154 S * | 6/1940 | Bernhardt | | D7/392 |
| D203,211 S * | 12/1965 | Brocken | | D7/392 |
| D247,211 S * | 2/1978 | Young | | D7/392 |
| D338,367 S * | 8/1993 | Fonville | | D7/316 |
| D428,769 S * | 8/2000 | Mensch | | D7/510 |
| D503,069 S * | 3/2005 | Dilollo | | D7/392 |
| D562,623 S * | 2/2008 | Nybakke | | D7/387 |
| D620,747 S * | 8/2010 | Taketani | | D7/392.1 |

| | | | | |
|--------------|---------|----------|-------|----------|
| D629,645 S * | 12/2010 | Chin | | D7/392.1 |
| D699,509 S * | 2/2014 | El-Saden | | D7/392.1 |
| D713,672 S * | 9/2014 | Ho | | D7/392.1 |
| D750,426 S * | 3/2016 | Bann | | D7/392 |
| D758,793 S * | 6/2016 | Ho | | D7/392.1 |
| D810,500 S * | 2/2018 | Maple | | D7/392.1 |
| D812,432 S * | 3/2018 | Seiders | | D7/533 |
| D814,867 S * | 4/2018 | Steel | | D7/515 |
| D835,938 S * | 12/2018 | Zou | | D7/392.1 |

* cited by examiner

Primary Examiner — Karen S Acker

Assistant Examiner — Steven B Reinholdt, Jr.

(74) *Attorney, Agent, or Firm* — Kleinberg & Lerner, LLP; Marvin H. Kleinberg; Marshall A. Lerner

(57) **CLAIM**

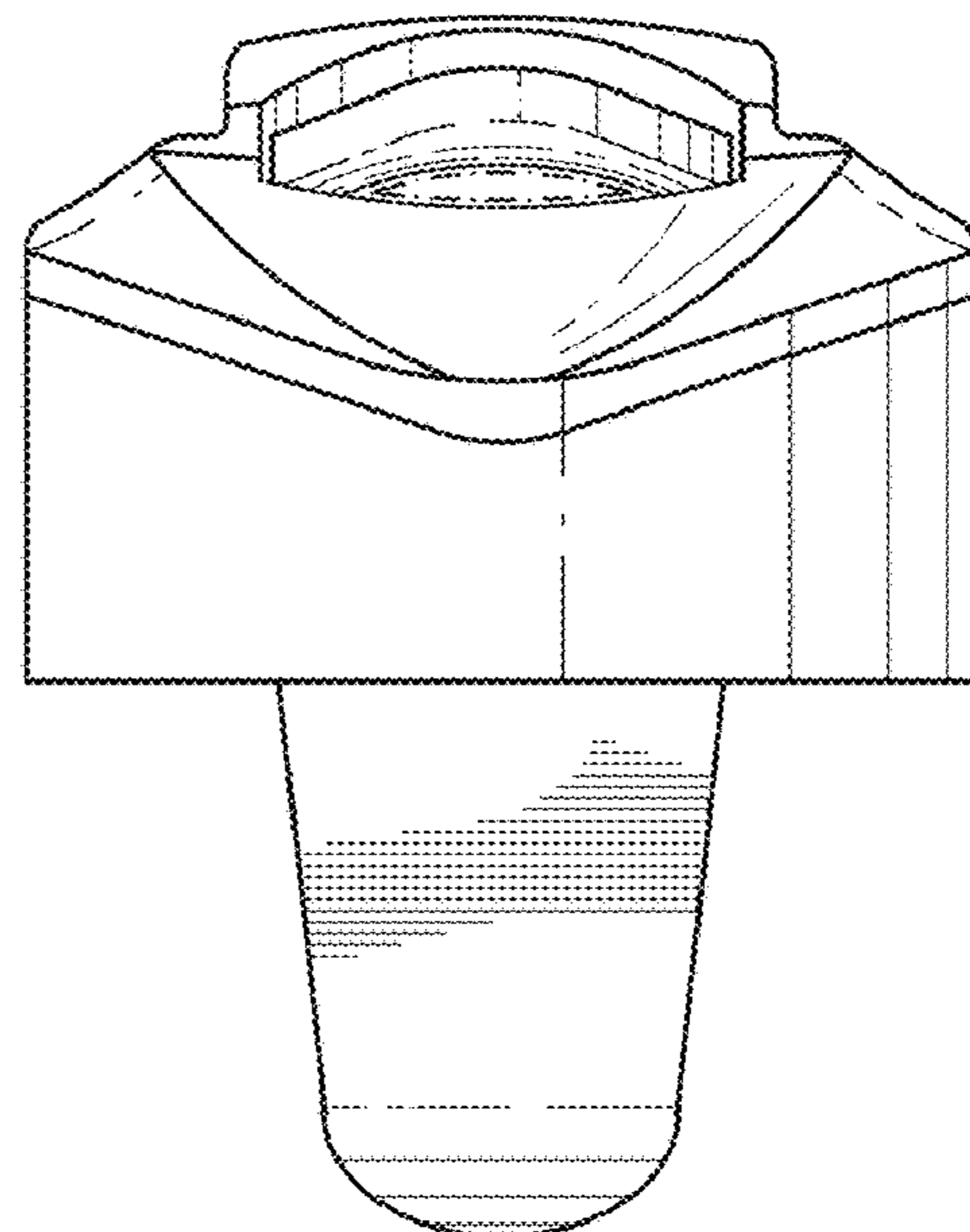
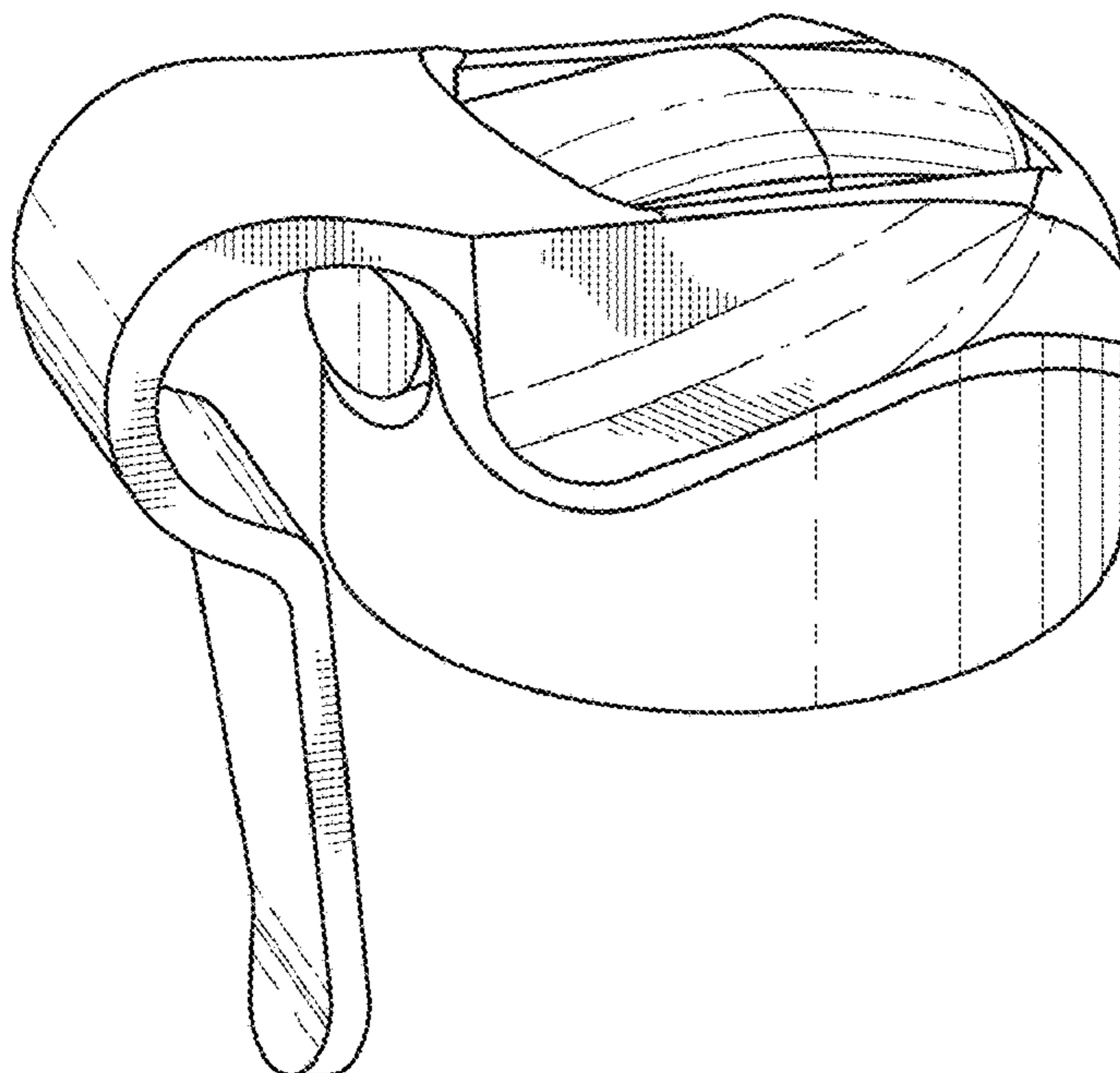
The ornamental design for a beverage container lid, as shown and described.

DESCRIPTION

FIG. 1 is a top perspective view of a beverage container lid showing my new design;
FIG. 2 is a front view thereof;
FIG. 3 is a rear view thereof;
FIG. 4 is a right side view thereof;
FIG. 5 is a left side view thereof;
FIG. 6 is a top view of thereof; and,
FIG. 7 is a bottom view thereof.

The broken lines depict portions of the beverage container lid that form no part of the claimed design. In FIG. 7 the broken line and all areas inside the outer solid edge line of the article are portions of the beverage container lid that form no part of the claimed design. The dot-dash-dot broken lines in FIG. 2 depict the boundaries of the claim and form no part thereof.

1 Claim, 3 Drawing Sheets



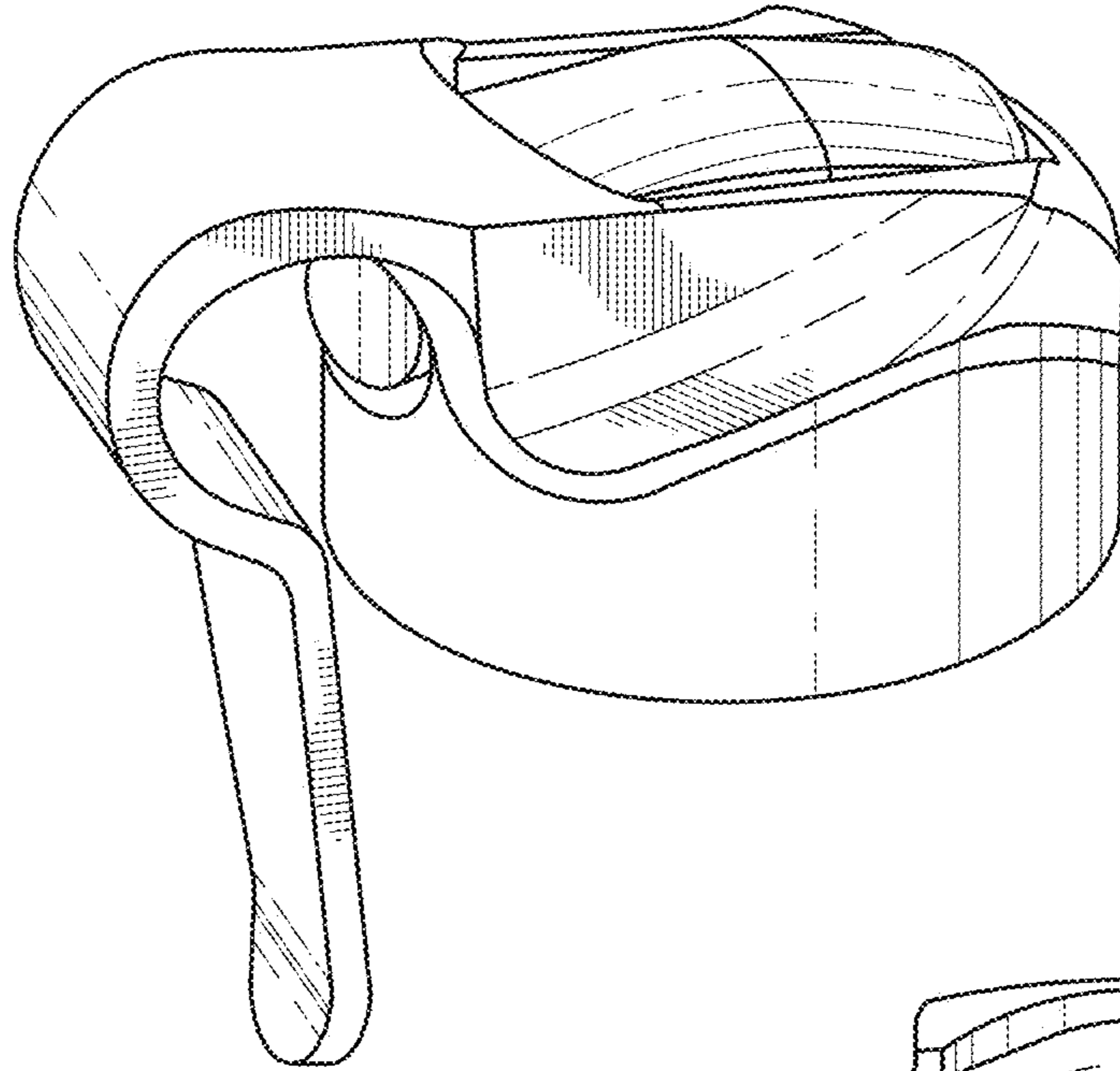


FIG. 1

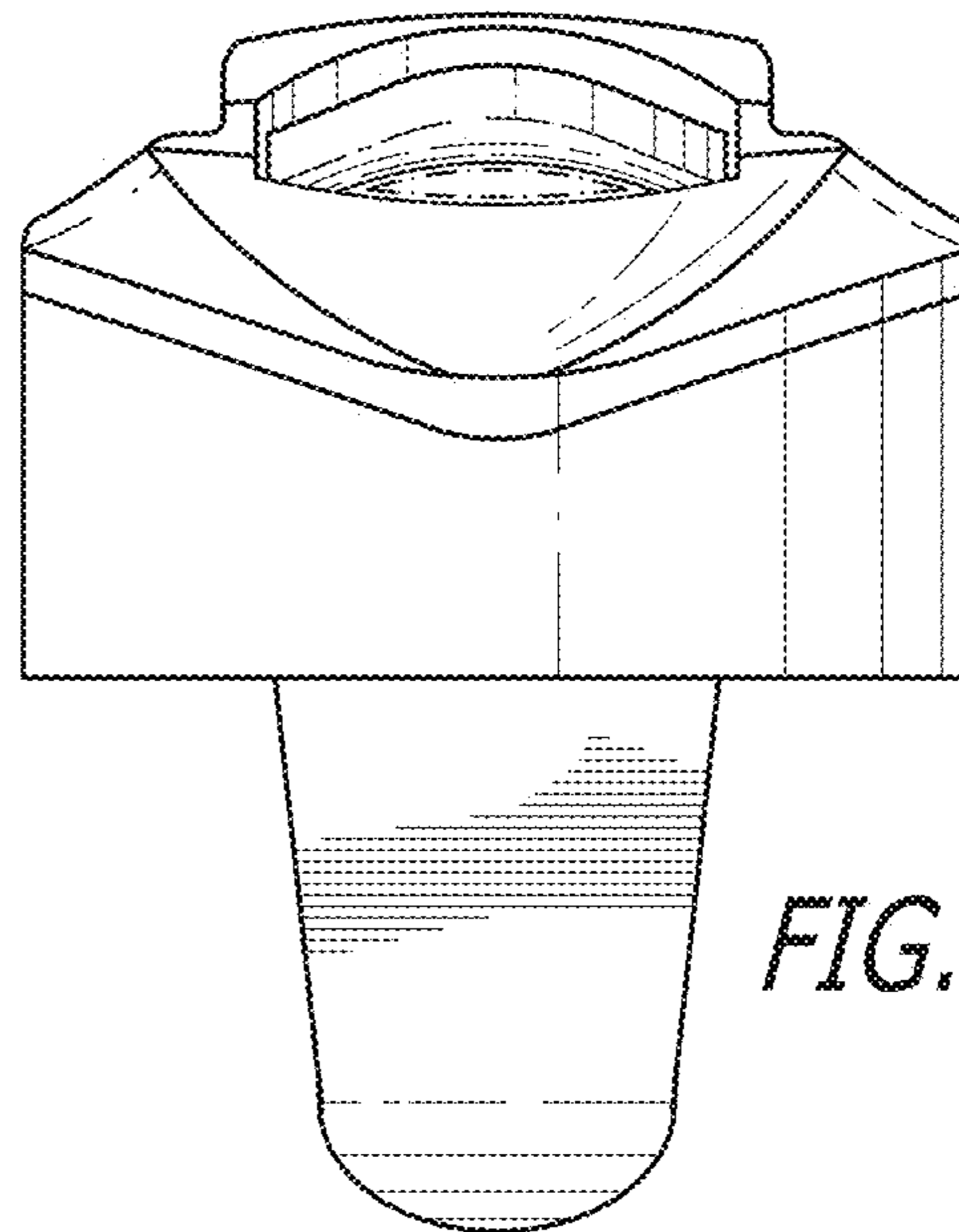


FIG. 2

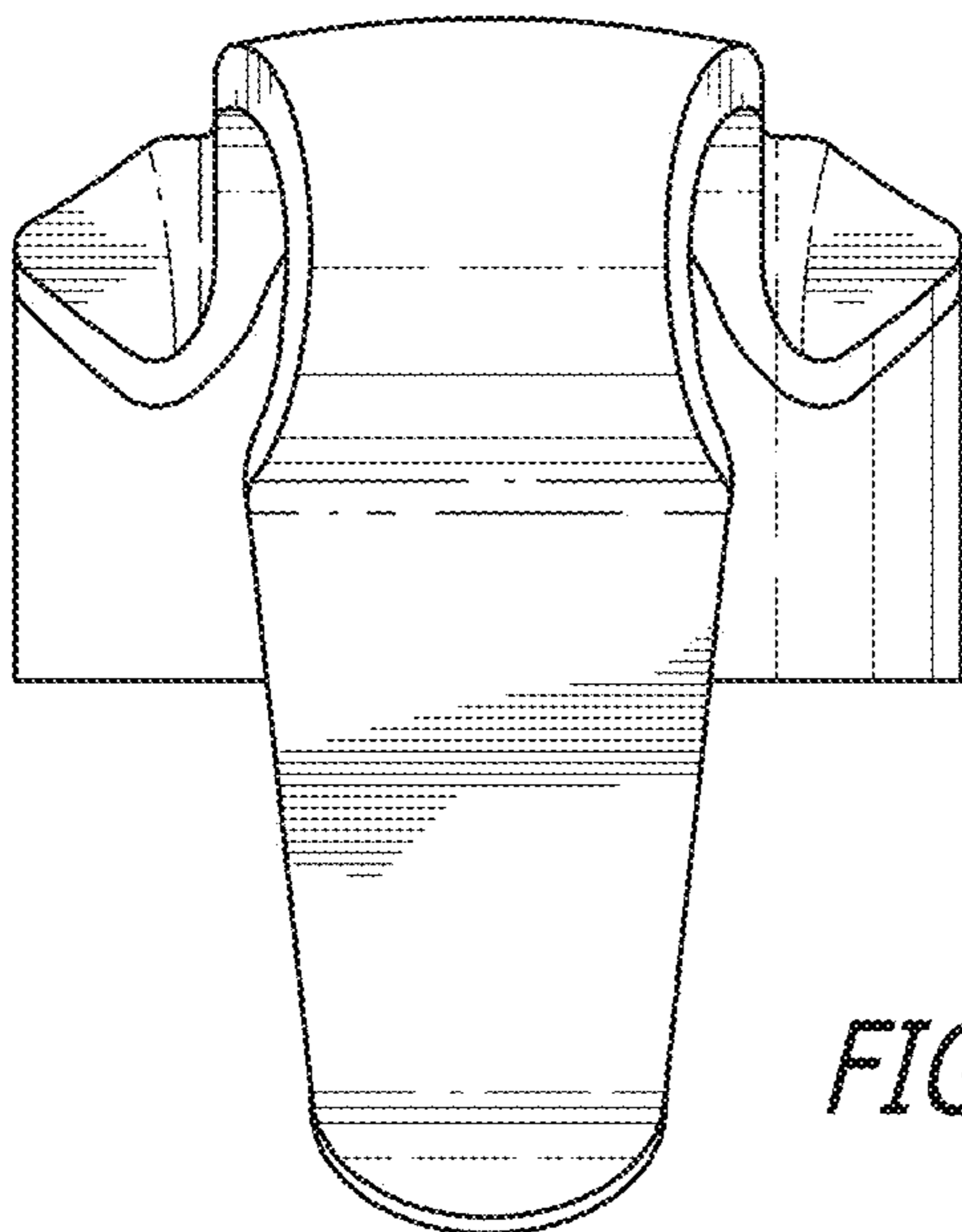


FIG. 3

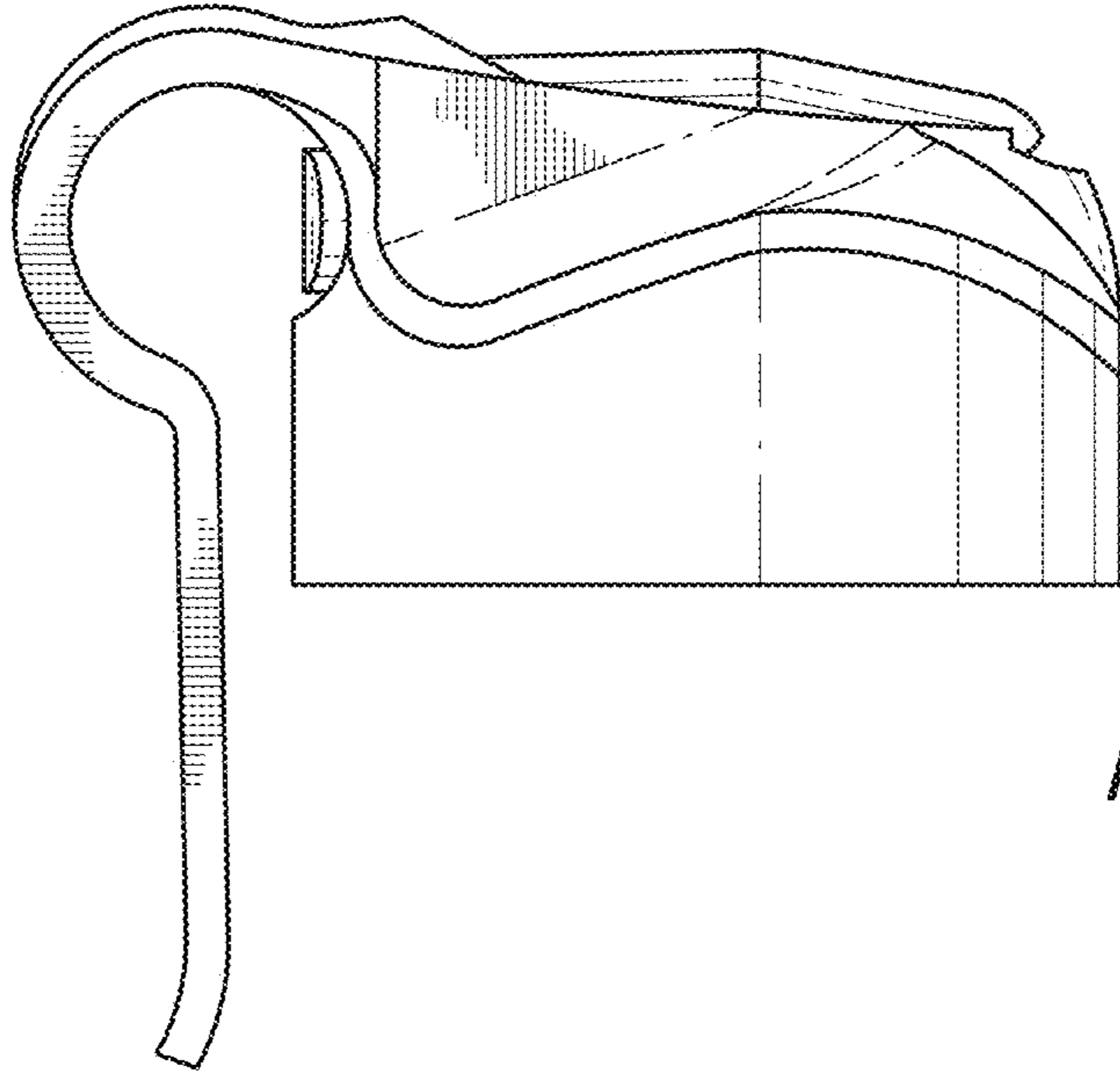


FIG. 4

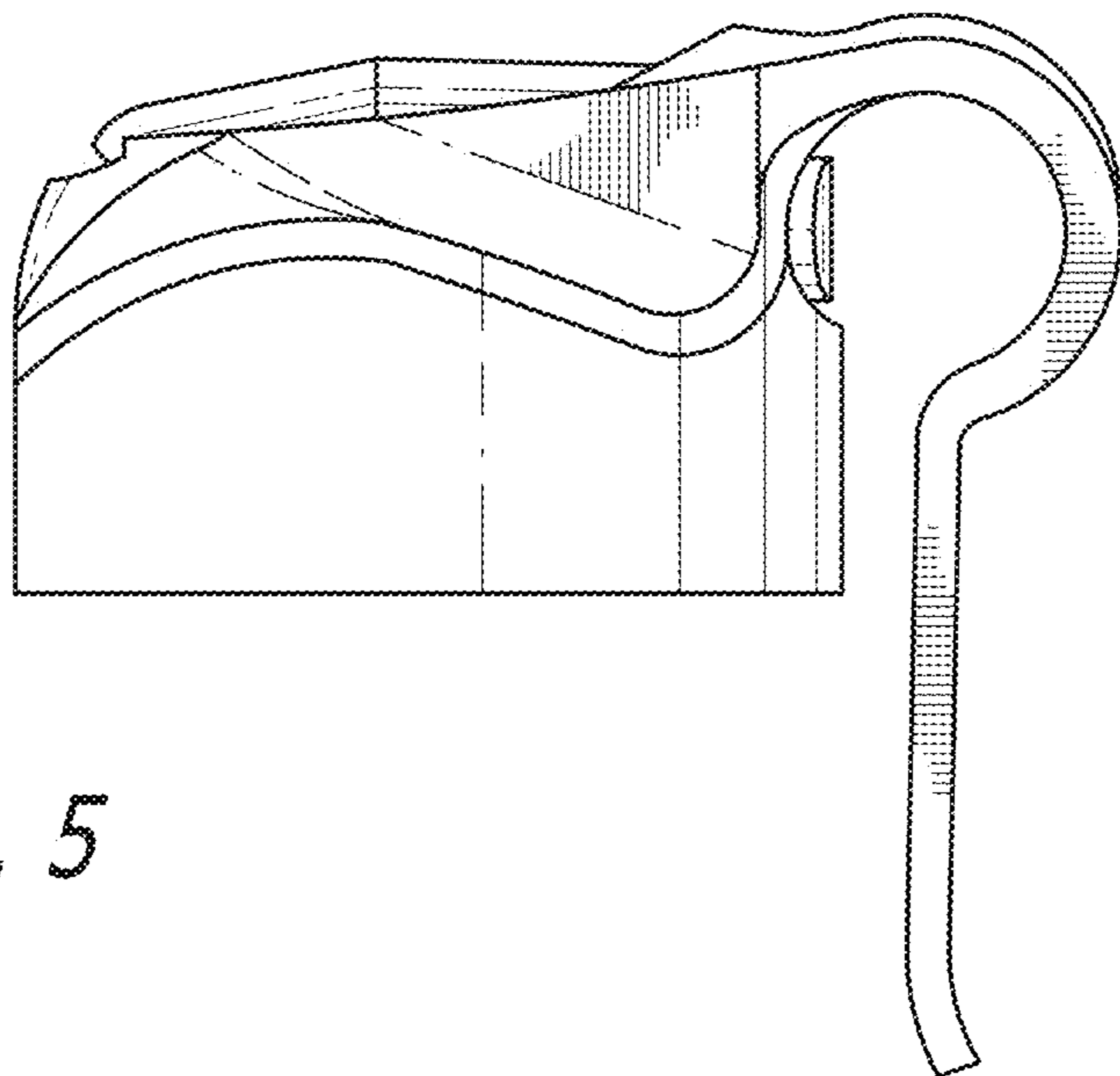


FIG. 5

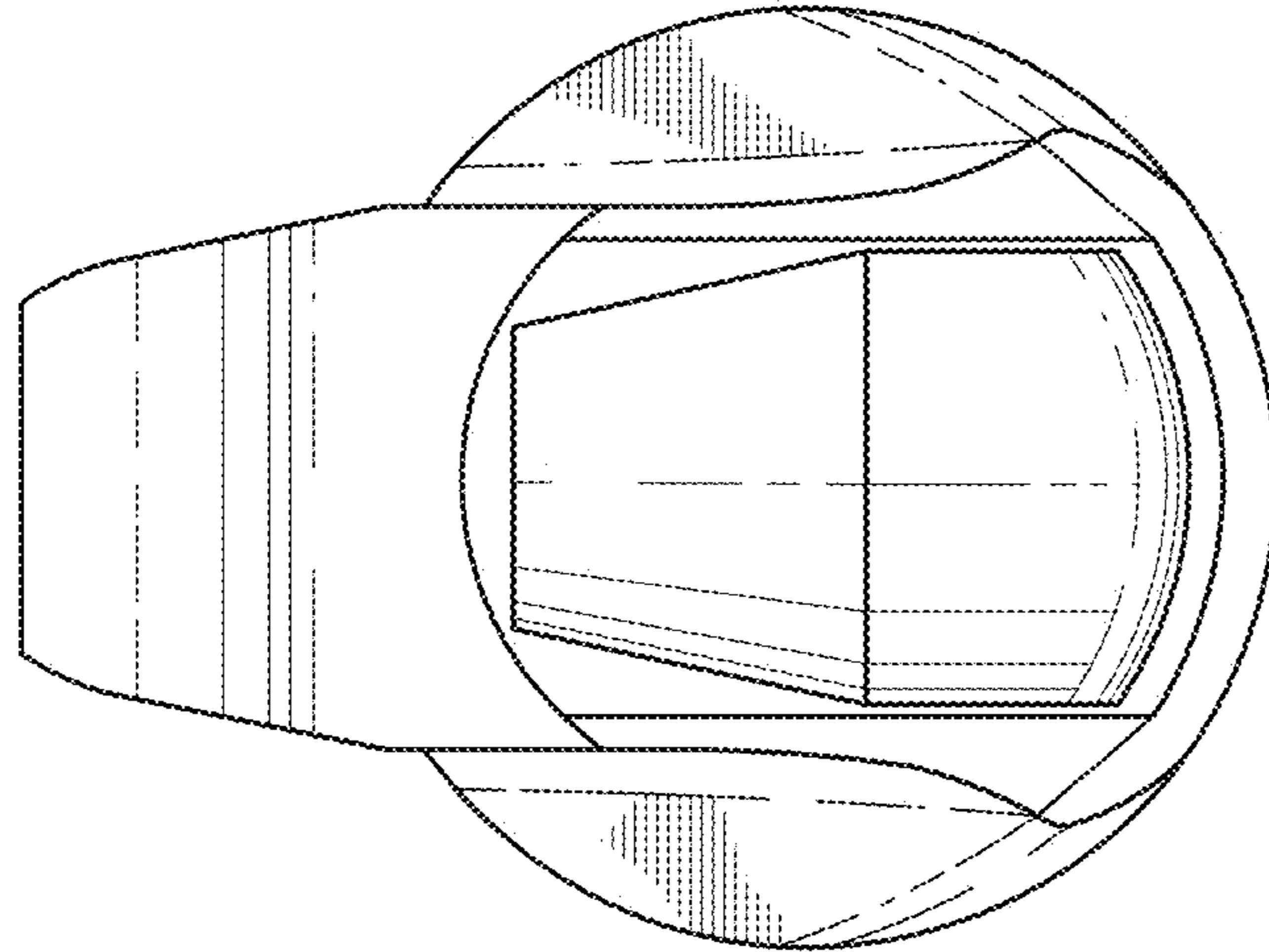


FIG. 6

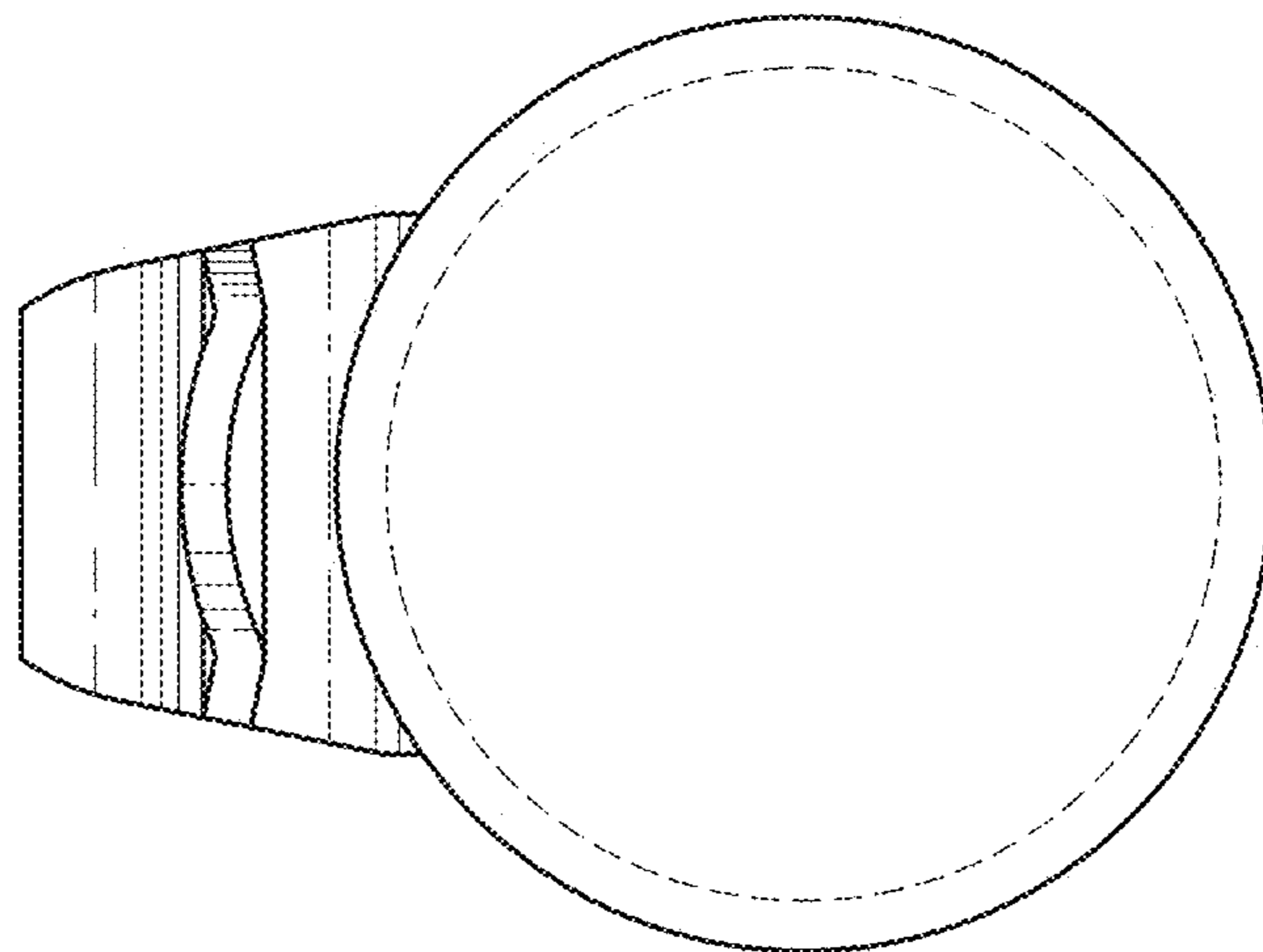


FIG. 7