



US00D886514S

(12) **United States Design Patent**  
**Kander**

(10) **Patent No.:** **US D886,514 S**

(45) **Date of Patent:** **\*\* Jun. 9, 2020**

(54) **FLIP TOP CAP FOR A BEVERAGE CONTAINER**

(71) Applicant: **Welly, LLC**, New York, NY (US)

(72) Inventor: **Benjamin Kander**, New York, NY (US)

(73) Assignee: **WELLY, LLC**, New York, NY (US)

(\*\*) Term: **15 Years**

(21) Appl. No.: **29/687,497**

(22) Filed: **Apr. 12, 2019**

(51) **LOC (12) Cl.** ..... **07-99**

(52) **U.S. Cl.**  
USPC ..... **D7/392; D7/392.1**

(58) **Field of Classification Search**  
USPC ..... D7/387, 391, 394, 396.2, 509-511, 538, D7/900; D3/201, 202; D9/434, 435, D9/436, 439, 440, 442, 443, 446-450, D9/499, 686; D8/34  
CPC .. A61J 1/00; A61J 1/1412; B65D 1/00; B65D 1/02; B65D 1/10; B65D 1/46; B65D 2585/56; B65D 2585/545; B65D 47/06; B65D 2543/00296; B65D 41/00; B65D 41/38; B65D 41/56; B65D 41/62; B65D 47/00; B65D 47/08; B65D 2543/00046; B65D 2543/00092; B65D 5/46; B65D 2251/00

See application file for complete search history.

(56) **References Cited**

**U.S. PATENT DOCUMENTS**

3,982,651 A 9/1976 Braun  
D246,029 S 10/1977 Lynn  
D278,121 S 3/1985 Sussman  
D286,604 S 11/1986 Bierlein  
5,186,350 A 2/1993 McBride  
D372,866 S \* 8/1996 Ahern, Jr. .... D7/392.1  
D405,609 S 2/1999 Fu

6,119,888 A 9/2000 Goto  
D466,814 S 12/2002 Hurlbut  
D485,759 S \* 1/2004 Janky ..... D7/392.1  
D488,357 S 4/2004 Cabey  
D504,796 S \* 5/2005 Schuler ..... D7/392.1  
6,890,393 B2 5/2005 Buck  
6,899,773 B2 5/2005 Buck  
D539,655 S 4/2007 Kipperman

(Continued)

**OTHER PUBLICATIONS**

Welly website, Traveler 12oz, Earliest comment date Dec. 29, 2019, [site visited Jan. 18, 2020], Available on the Internet URL <https://www.wellybottle.com/products/traveler-12oz> (Year: 2019).\*

*Primary Examiner* — Karen S Acker

*Assistant Examiner* — Steven B Reinholdt, Jr.

(74) *Attorney, Agent, or Firm* — Cozen O'Connor

(57) **CLAIM**

The ornamental design for flip top cap for a beverage container, as shown and described.

**DESCRIPTION**

FIG. 1 is a top perspective view of a flip top cap for a beverage container showing my new design.

FIG. 2 is bottom perspective view thereof.

FIG. 3 is front view thereof.

FIG. 4 is a rear view thereof.

FIG. 5 is a left side view thereof.

FIG. 6 is a right side view thereof.

FIG. 7 is a top plan view thereof;

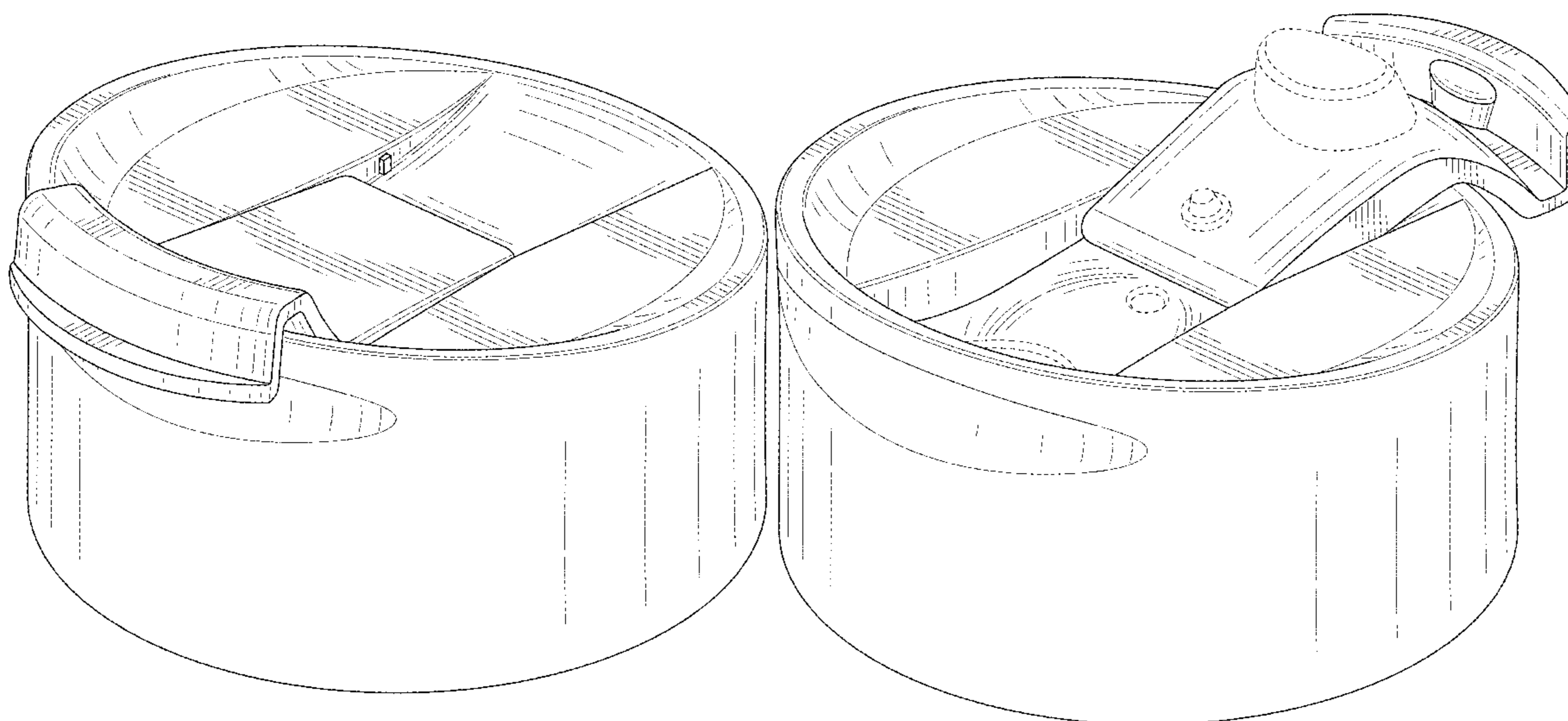
FIG. 8 is a bottom plan view thereof; and,

FIG. 9 is a top perspective view with the flip top in the open position.

The dashed lines depict portions of the flip top cap for a beverage container that form no part of the claimed design.

The dot-dash-dot broken lines in FIG. 8 denote the boundaries of the claim and form no part thereof.

**1 Claim, 9 Drawing Sheets**



(56)

References Cited

U.S. PATENT DOCUMENTS

D557,994 S	12/2007	Wahl		D759,429 S	6/2016	Rosbach	
7,470,336 B2	12/2008	Buck		D760,080 S	6/2016	Gorbald	
D592,909 S	5/2009	Alviar		D761,618 S *	7/2016	Lapsker .....	D7/392.1
D629,657 S	12/2010	Carreno		D765,471 S	9/2016	Gorbald	
D629,689 S	12/2010	Cresswell		D777,508 S	1/2017	Goodwin et al.	
D639,166 S	6/2011	Carreno		D786,012 S	5/2017	Hein et al.	
D641,591 S	7/2011	Tsukida		D789,737 S *	6/2017	Eyal .....	D7/300.1
D643,245 S *	8/2011	Minarsch .....	D7/392.1	D799,320 S	10/2017	Goodwin et al.	
D644,060 S *	8/2011	Komeiji .....	D7/392.1	D803,619 S *	11/2017	Seiders .....	D7/392.1
D647,753 S *	11/2011	Lin .....	D7/392.1	D803,684 S *	11/2017	Seiders .....	D9/449
D648,984 S	11/2011	Gullickson et al.		D806,468 S	1/2018	Goodwin et al.	
D652,682 S	1/2012	Eyal		D813,681 S	3/2018	Burns et al.	
D662,354 S *	6/2012	Bodum .....	D7/392.1	D814,857 S *	4/2018	Rolfson .....	D7/392.1
D680,805 S	4/2013	Rosbach		D816,399 S *	5/2018	Burns .....	D7/392.1
D687,677 S	8/2013	Sturgess		D823,062 S	7/2018	Goodwin et al.	
D688,912 S	9/2013	Rosbach		D827,388 S	9/2018	Kander	
D691,416 S *	10/2013	Eyal .....	D7/396.2	D834,881 S *	12/2018	Seiders .....	D7/392.1
D693,170 S	11/2013	Rosbach		D834,882 S *	12/2018	Seiders .....	D7/392.1
D699,516 S	2/2014	Kim et al.		D836,395 S *	12/2018	Seiders .....	D7/510
D700,014 S	2/2014	Zeanah		D836,974 S *	1/2019	Seiders .....	D7/392.1
D704,986 S	5/2014	Manies		D844,382 S *	4/2019	Seiders .....	D7/510
D713,685 S *	9/2014	Eyal .....	D7/507	D856,069 S *	8/2019	Barber .....	D7/392.1
D721,540 S *	1/2015	Grcic .....	D7/511	D861,415 S *	10/2019	Seiders .....	D7/392.1
D732,337 S *	6/2015	Coon .....	D7/392.1	D863,876 S *	10/2019	Alprin .....	D7/392.1
D741,655 S	10/2015	Whelan et al.		D868,536 S *	12/2019	Henkel .....	D7/511
D752,916 S	4/2016	Goodwin et al.		2010/0288782 A1 *	11/2010	Lin .....	A47G 19/22 220/752
				2019/0092540 A1 *	3/2019	Spivey .....	B65D 43/0202

\* cited by examiner

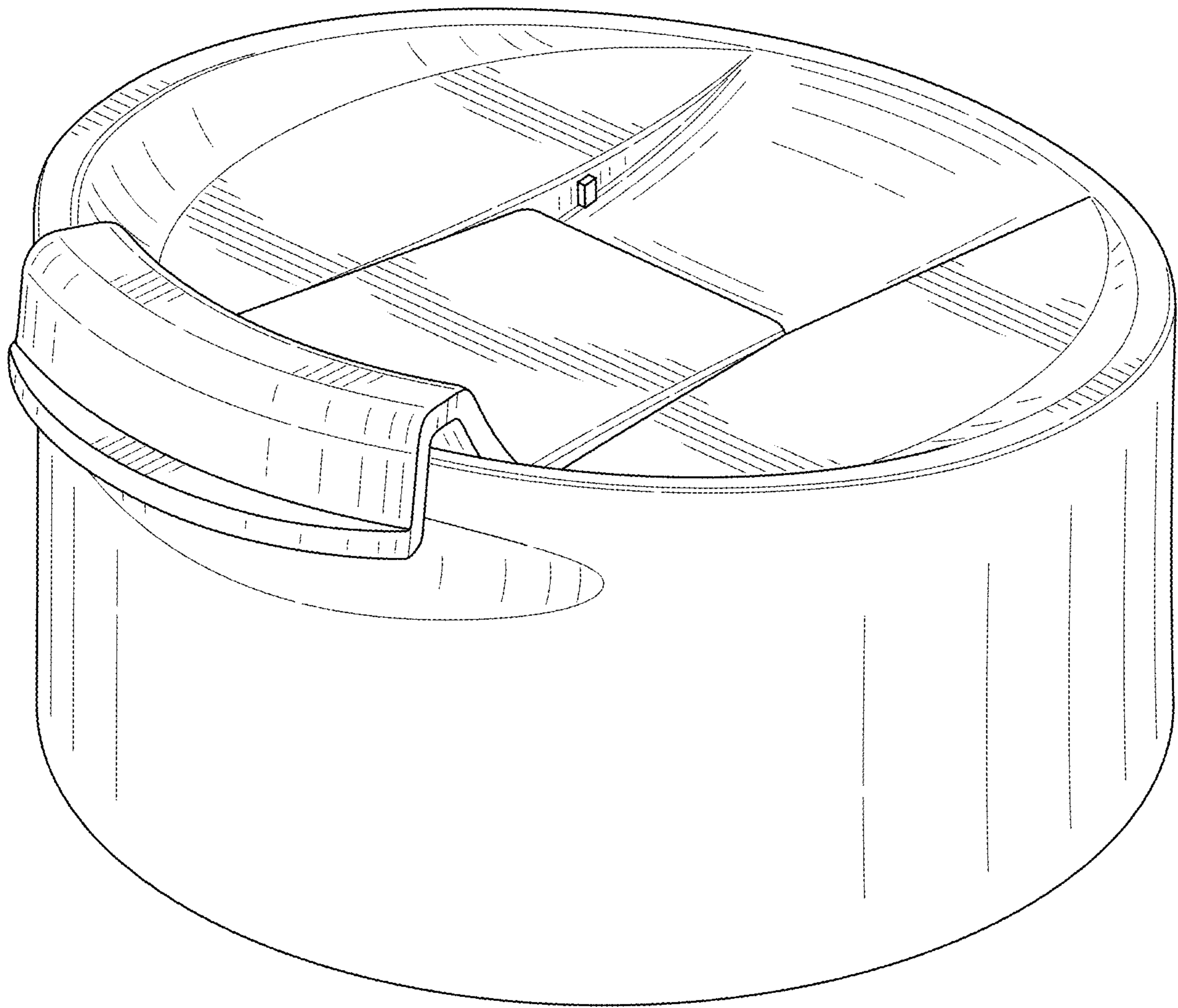


FIG. 1

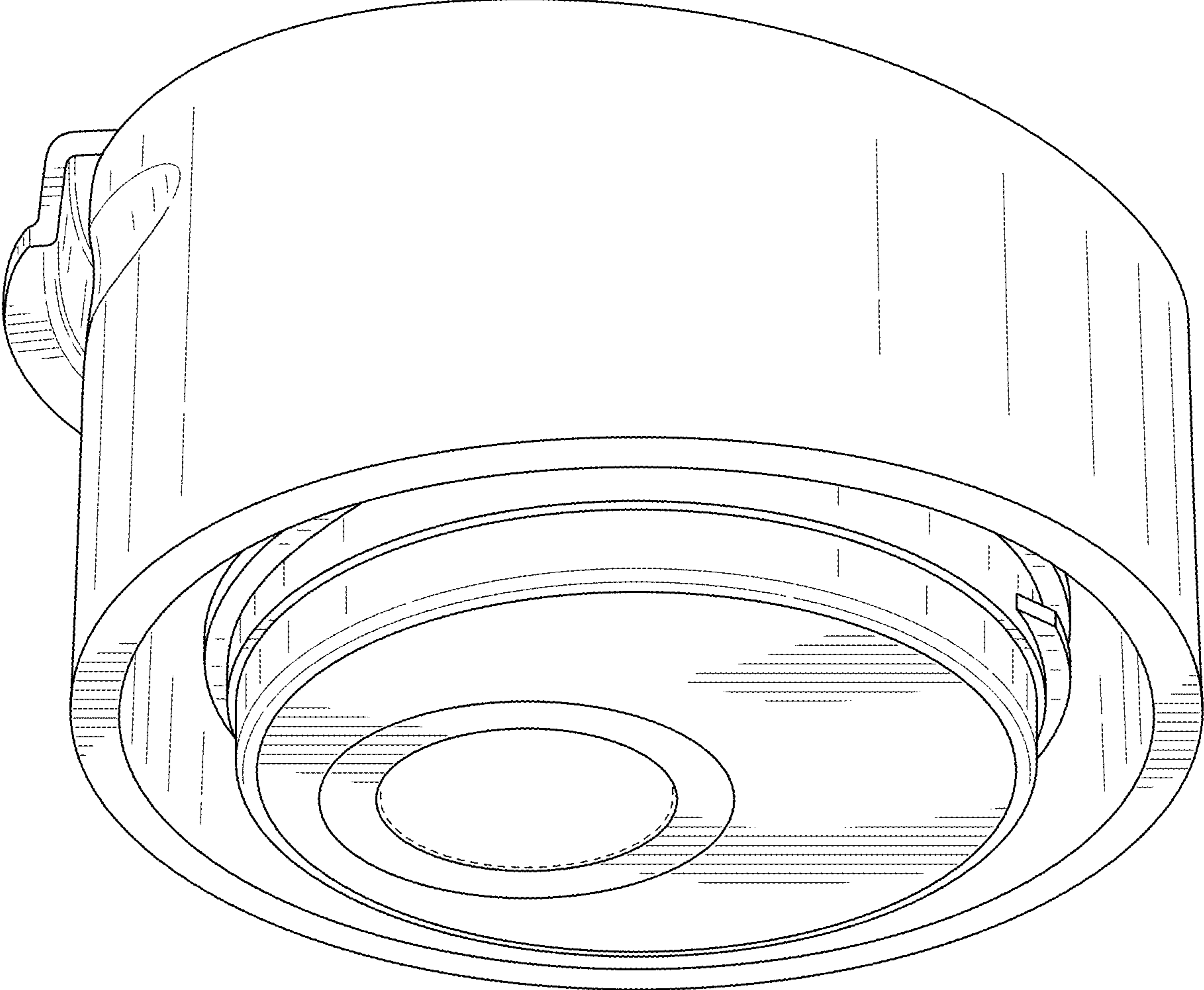
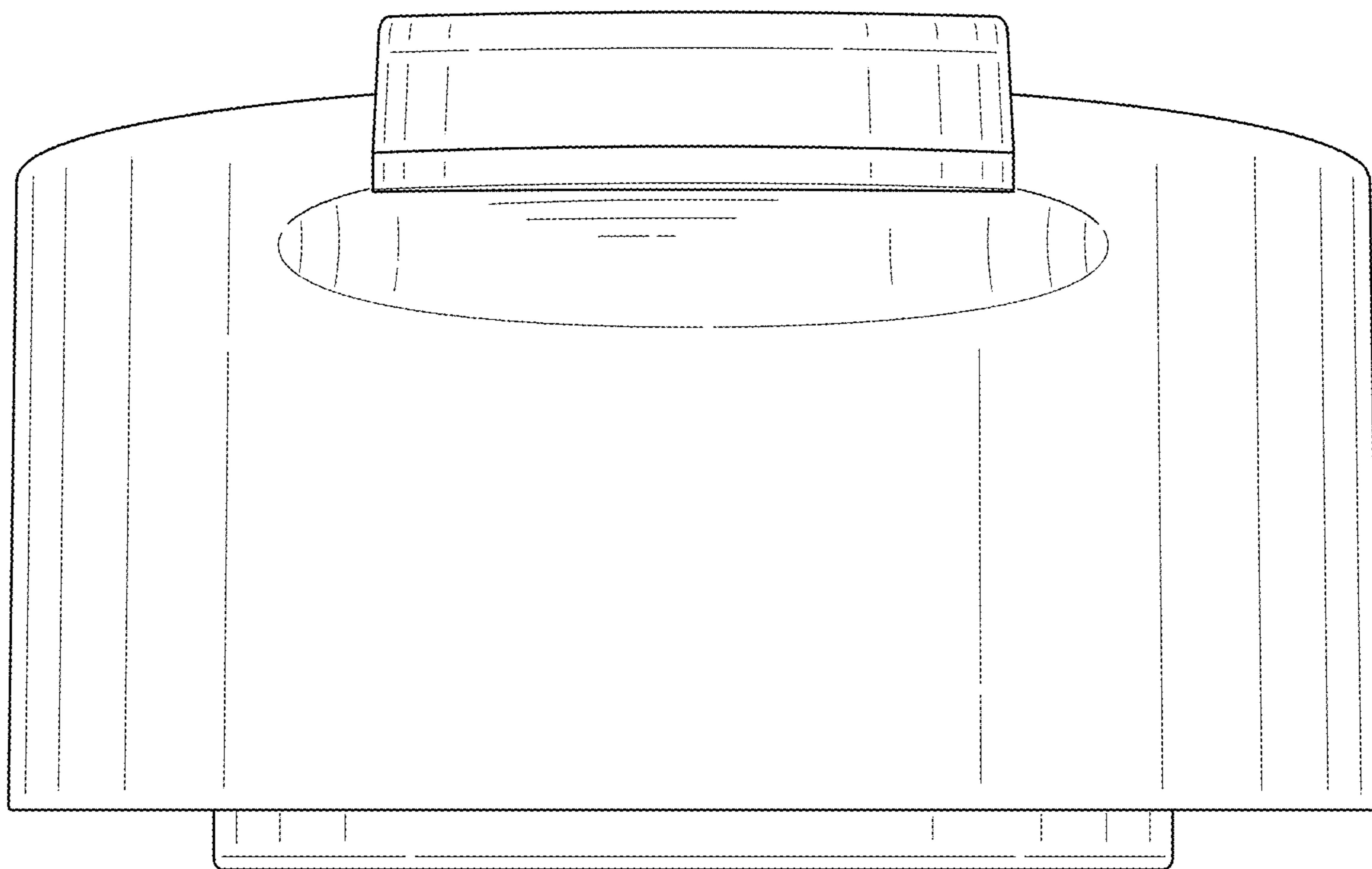
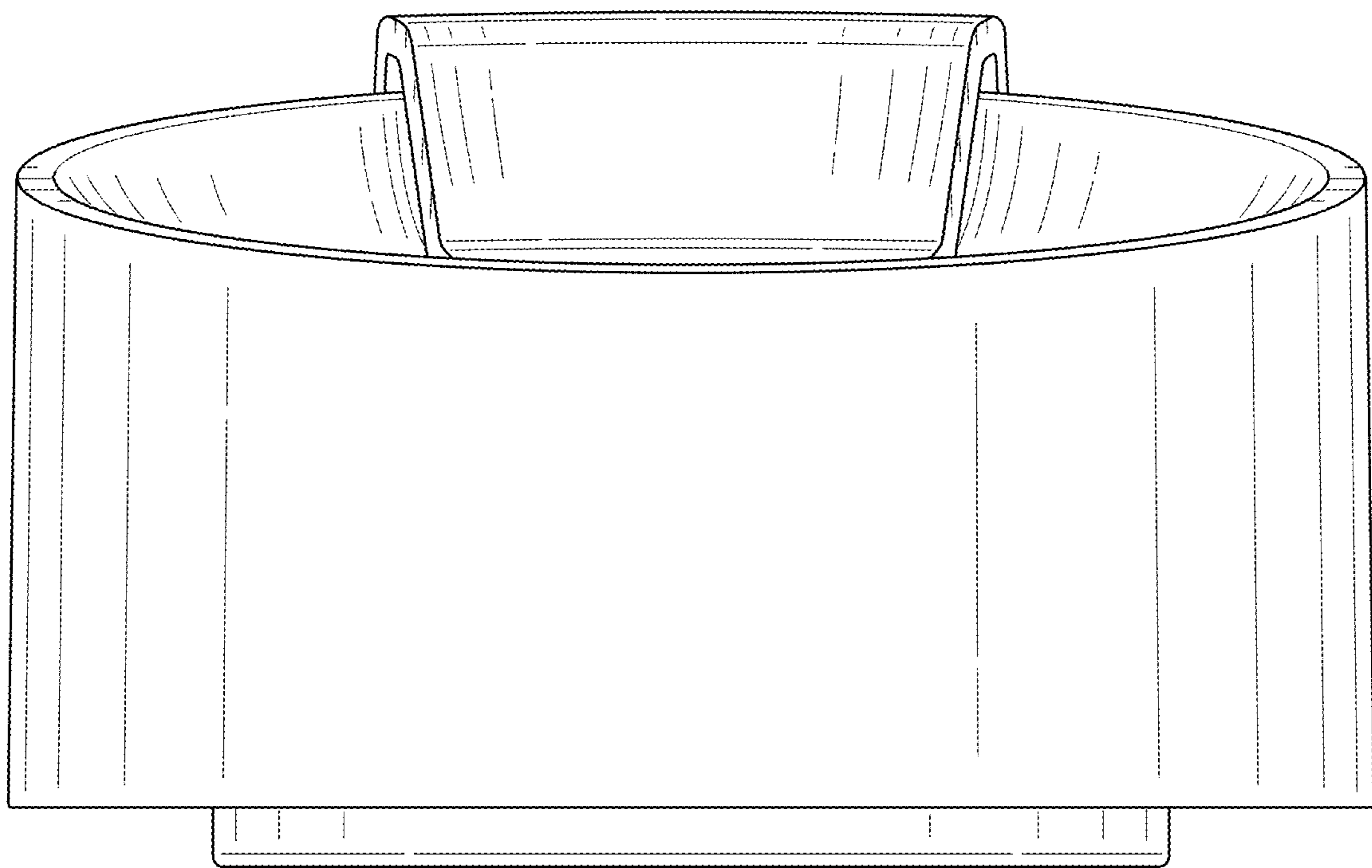


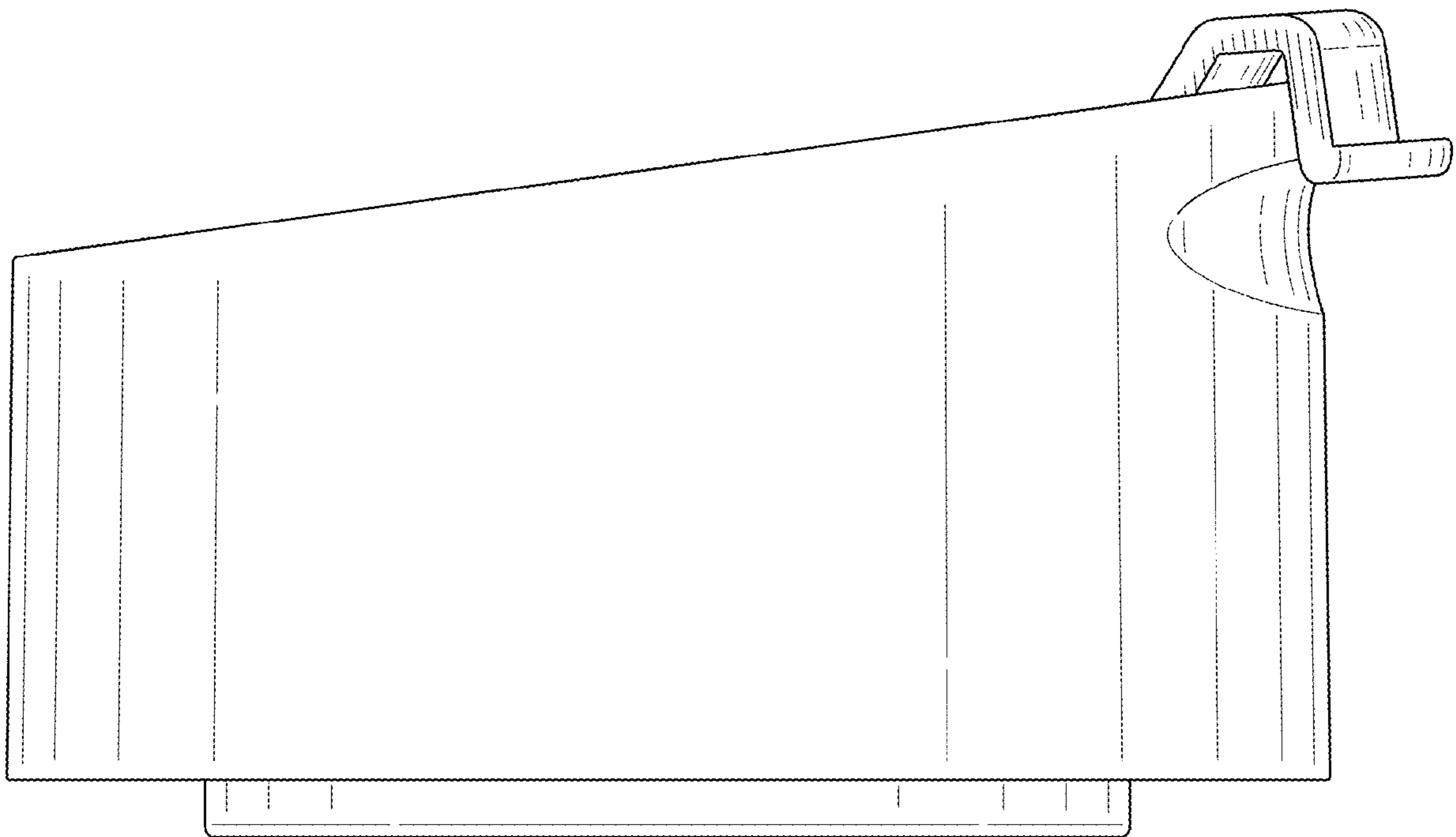
FIG. 2



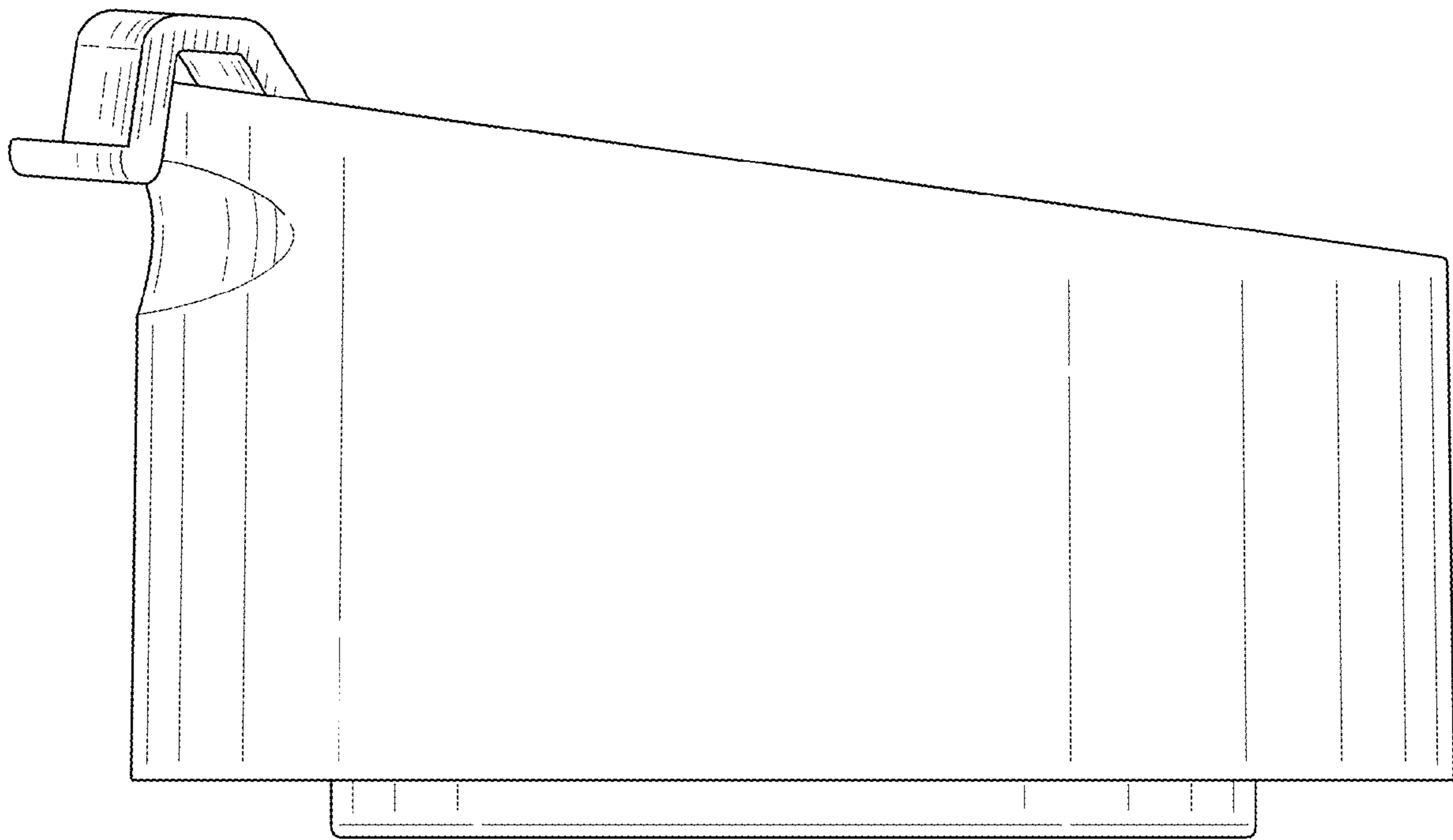
**FIG. 3**



**FIG. 4**

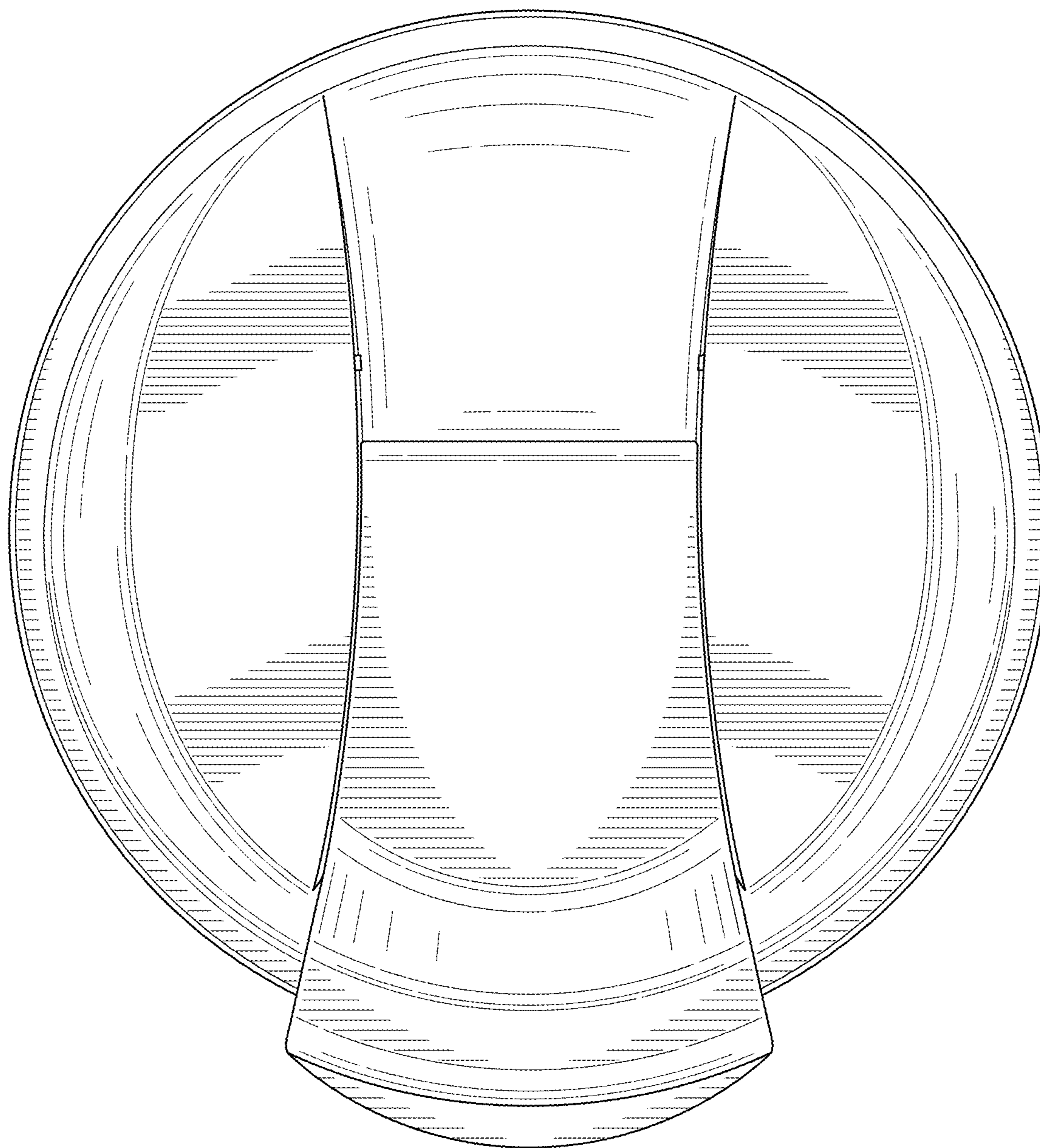


**FIG. 5**

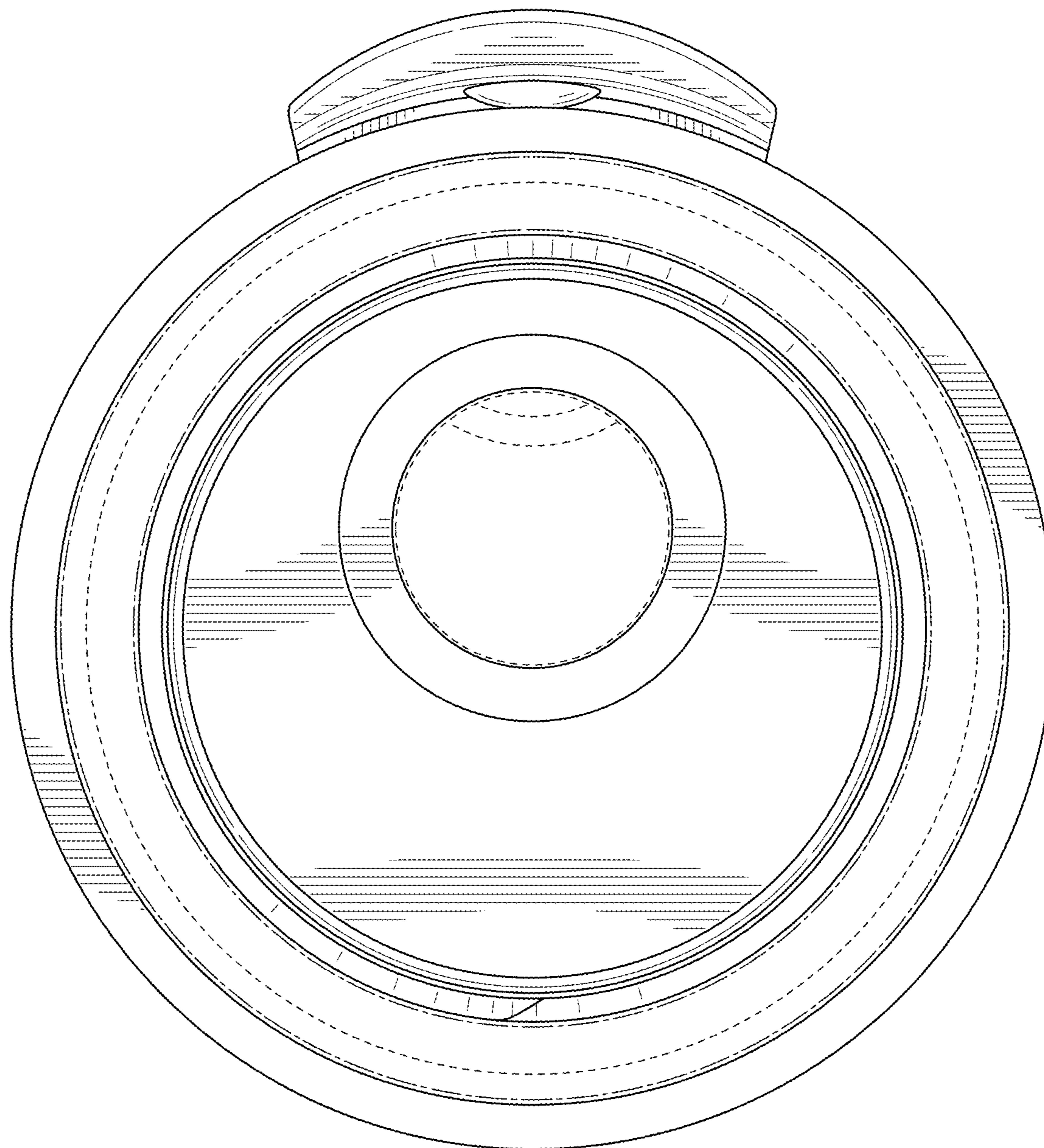


**FIG. 6**





**FIG. 7**



**FIG. 8**

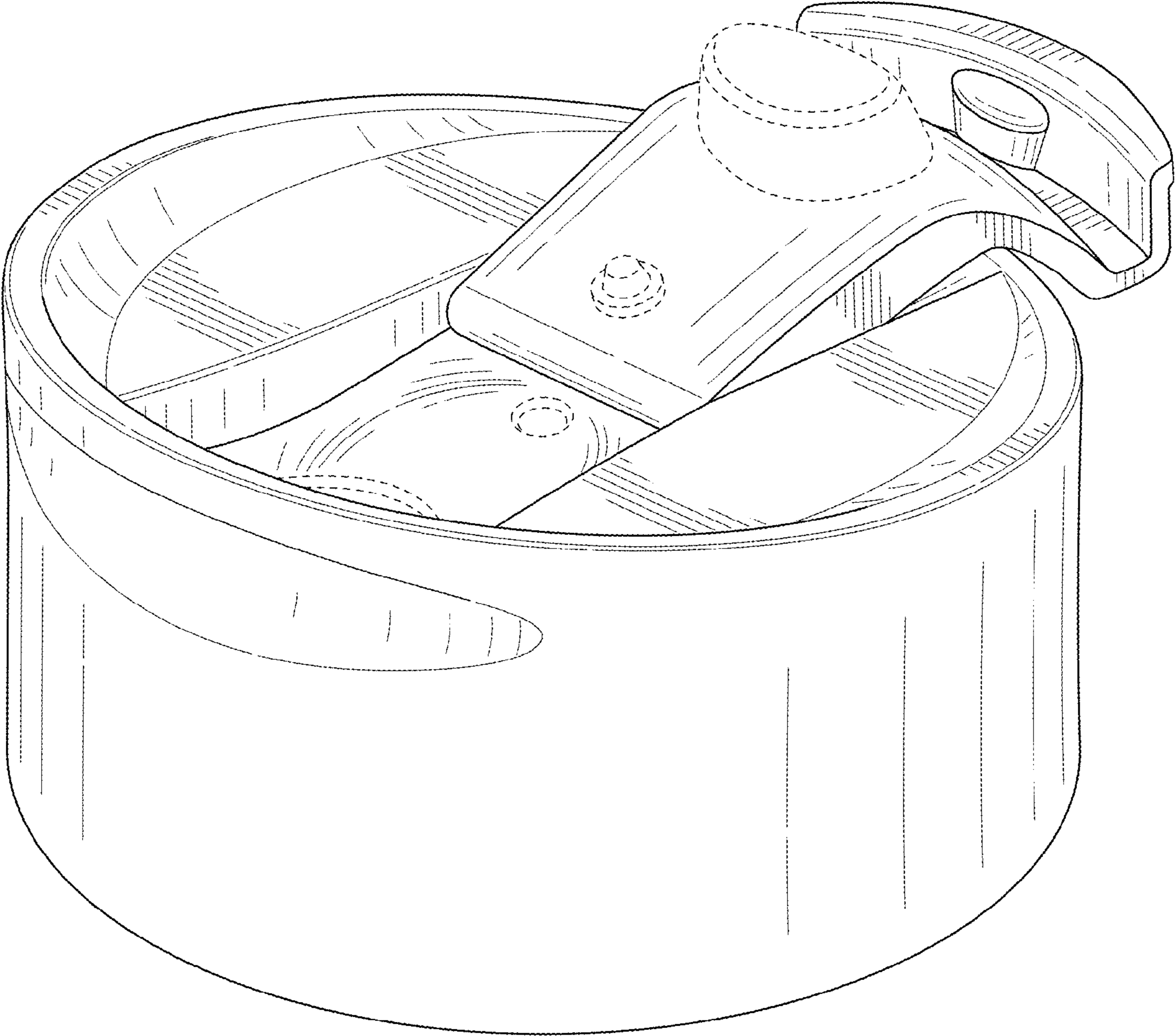


FIG. 9