



US00D886513S

(12) **United States Design Patent**
Steiner

(10) **Patent No.:** **US D886,513 S**

(45) **Date of Patent:** **** Jun. 9, 2020**

(54) **FOOD PROCESSOR BASE**

(71) Applicant: **Hamilton Beach Brands, Inc.**, Glen Allen, VA (US)

(72) Inventor: **Mark C Steiner**, Midlothian, VA (US)

(73) Assignee: **Hamilton Beach Brands, Inc.**, Glen Allen, VA (US)

(**) Term: **15 Years**

(21) Appl. No.: **29/682,107**

(22) Filed: **Mar. 1, 2019**

(51) **LOC (12) Cl.** **31-00**

(52) **U.S. Cl.**
USPC **D7/386; D7/376; D7/378**

(58) **Field of Classification Search**
USPC D7/372, 376-386, 412-413, 602, 629,
D7/665-666, 669, 679, 693-694
CPC A21C 1/02; A21C 1/04; A23N 1/00; A23N
1/02; A47J 43/04; A47J 43/25; A47J
43/27; A47J 43/042; A47J 43/044; A47J
43/046; A47J 43/075; A47J 43/0722;
A47J 43/0727; A47J 43/087; B01F 3/00;
B01F 3/0807; B01F 3/0853; B01F
13/0059; B01F 13/0064; B02C 1/08;
B02C 2/04; B02C 4/42; B02C 4/142;
B02C 4/143; B02C 4/423; B02C 13/1835;
B28C 5/10; B28C 5/12; B28C 5/14;
B28C 5/16

See application file for complete search history.

(56) **References Cited**

U.S. PATENT DOCUMENTS

D611,760 S * 3/2010 Ball D7/378
D625,141 S * 10/2010 Moore D7/376

D625,143 S * 10/2010 Moore D7/376
D644,480 S * 9/2011 Czach D7/376
D647,357 S * 10/2011 Audette D7/376
D702,078 S * 4/2014 Coakley D7/376
D704,502 S * 5/2014 Coakley D7/376
D761,617 S * 7/2016 Dennisur D7/376
D778,665 S * 2/2017 Barquin D7/376
D780,507 S * 3/2017 Barquin D7/376
D819,394 S * 6/2018 Han D7/384
D844,374 S * 4/2019 McConnell D7/386
D852,574 S * 7/2019 McConnell D7/378

* cited by examiner

Primary Examiner — Ricky Pham

(74) *Attorney, Agent, or Firm* — Alexander D. Raring

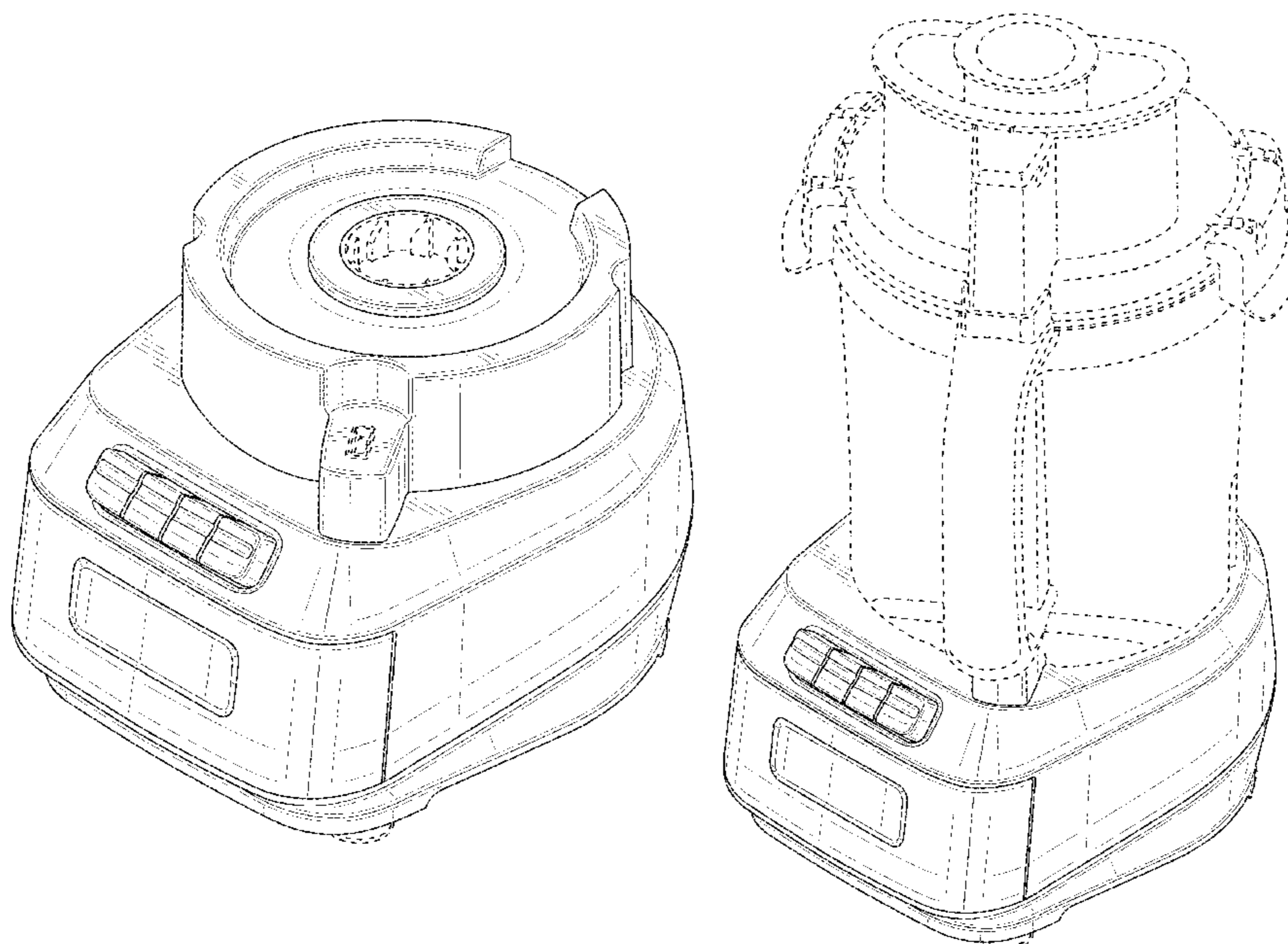
(57) **CLAIM**

The ornamental design for a food processor base, as shown and described.

DESCRIPTION

FIG. 1 is a top, front and right side perspective view of a food processor base showing the new design;
FIG. 2 a front view thereof;
FIG. 3 is a rear view thereof;
FIG. 4 is a left side view thereof;
FIG. 5 is a right side view thereof;
FIG. 6 is a top plan view thereof;
FIG. 7 is a bottom plan view thereof; and,
FIG. 8 is an perspective view thereof.
Broken lines illustrate environmental structure. The broken lines in the drawings are included for illustrative purposes only and form no part of the claimed design.

1 Claim, 8 Drawing Sheets



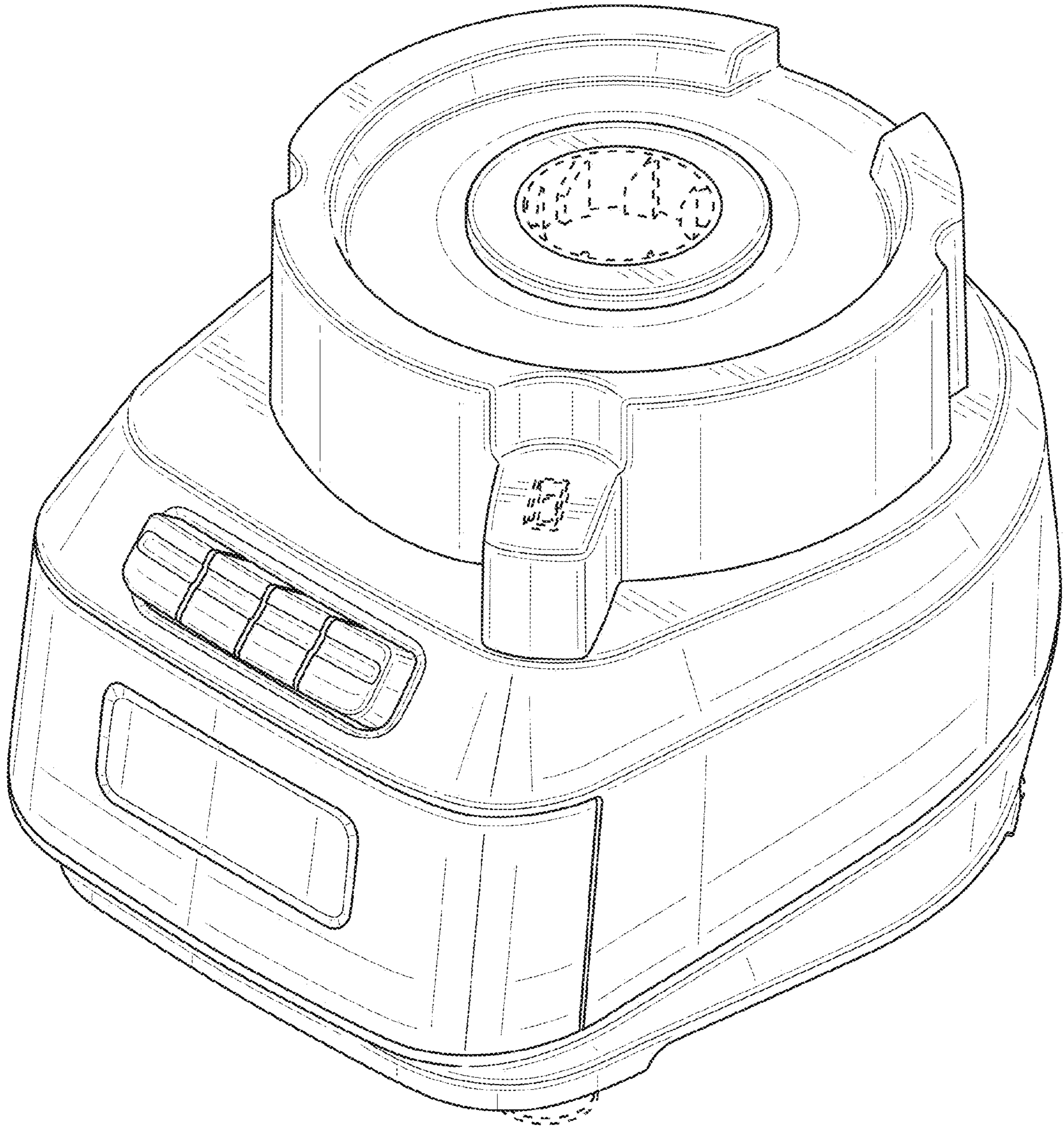


FIG. 1

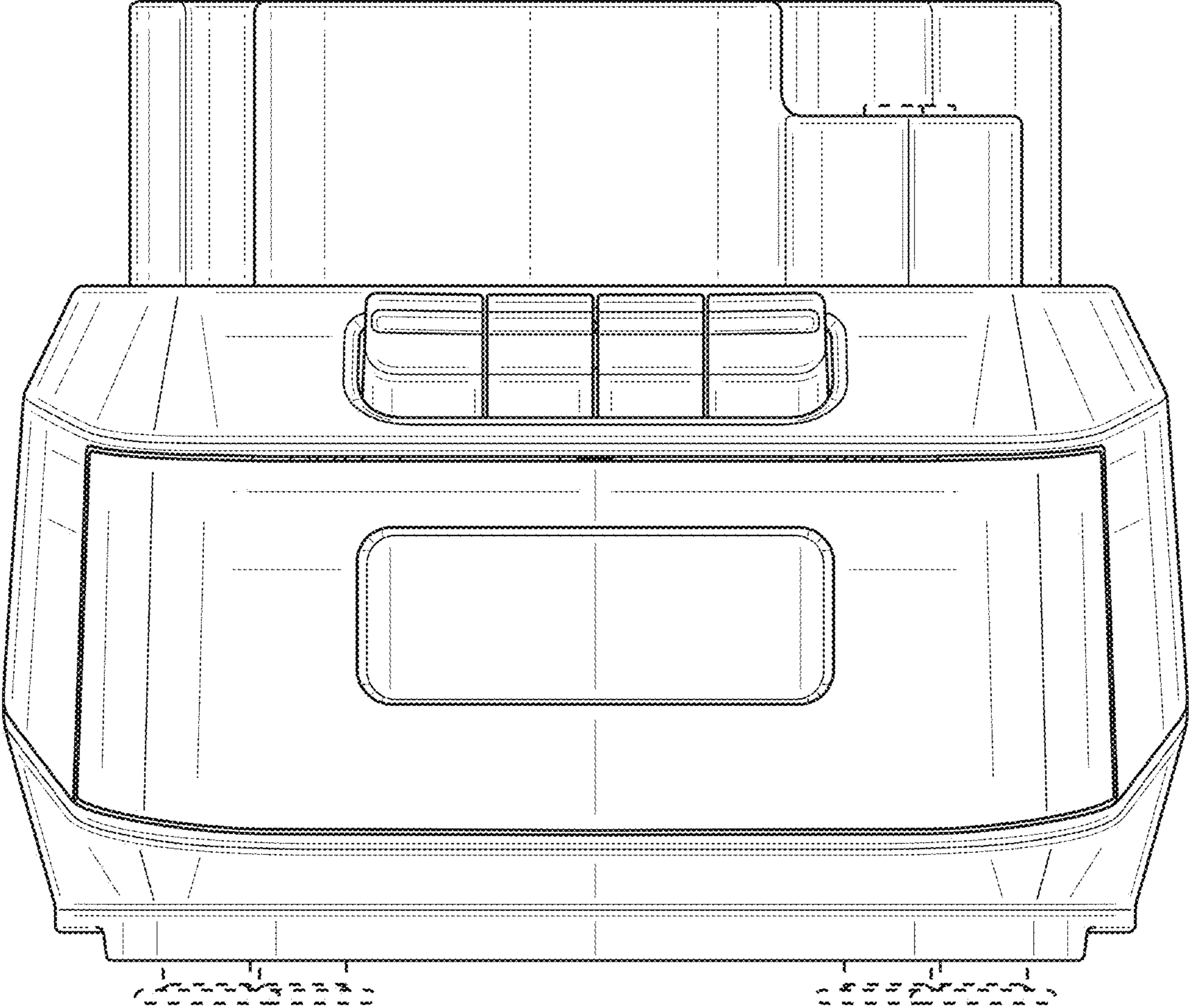


FIG. 2

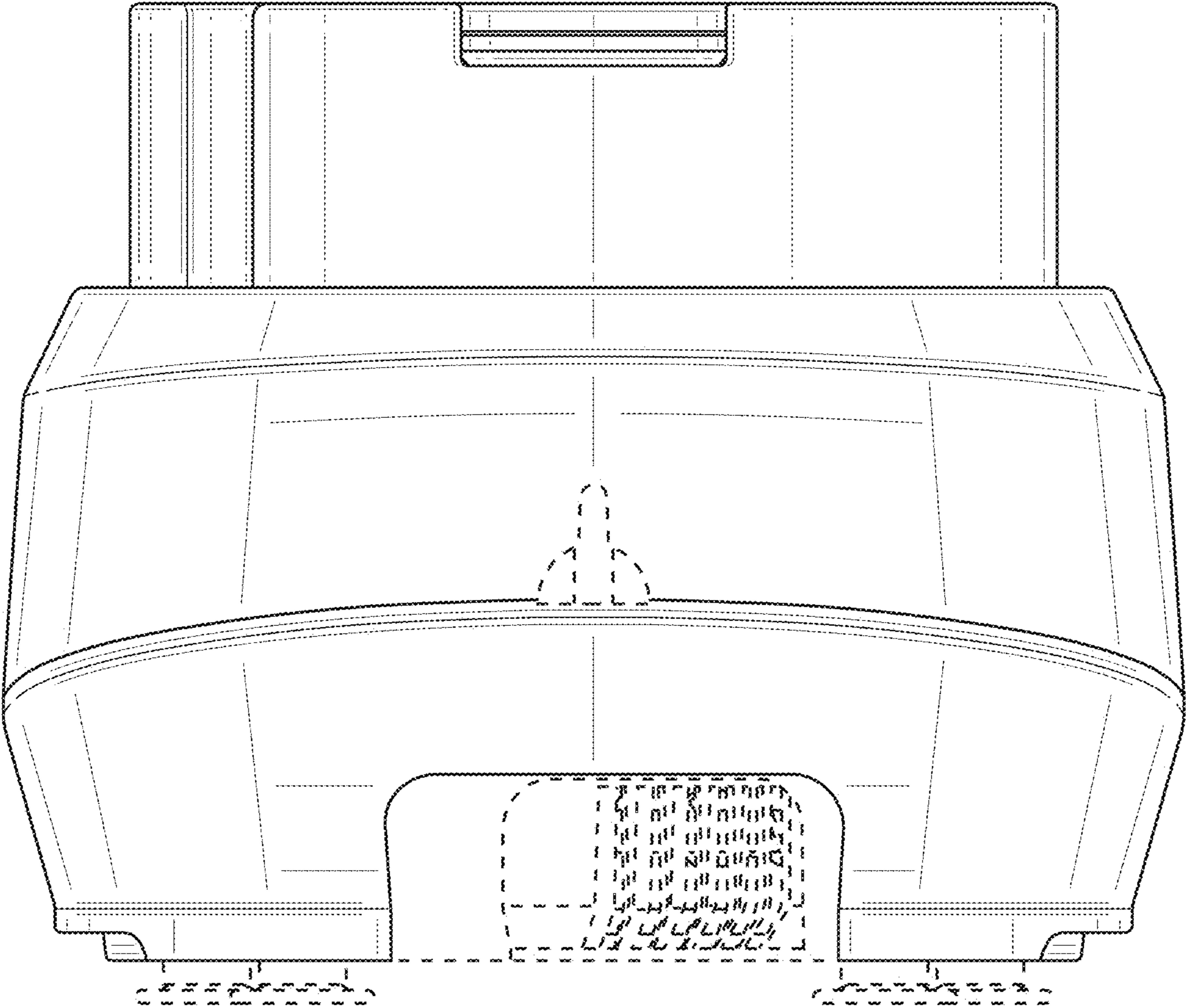


FIG. 3

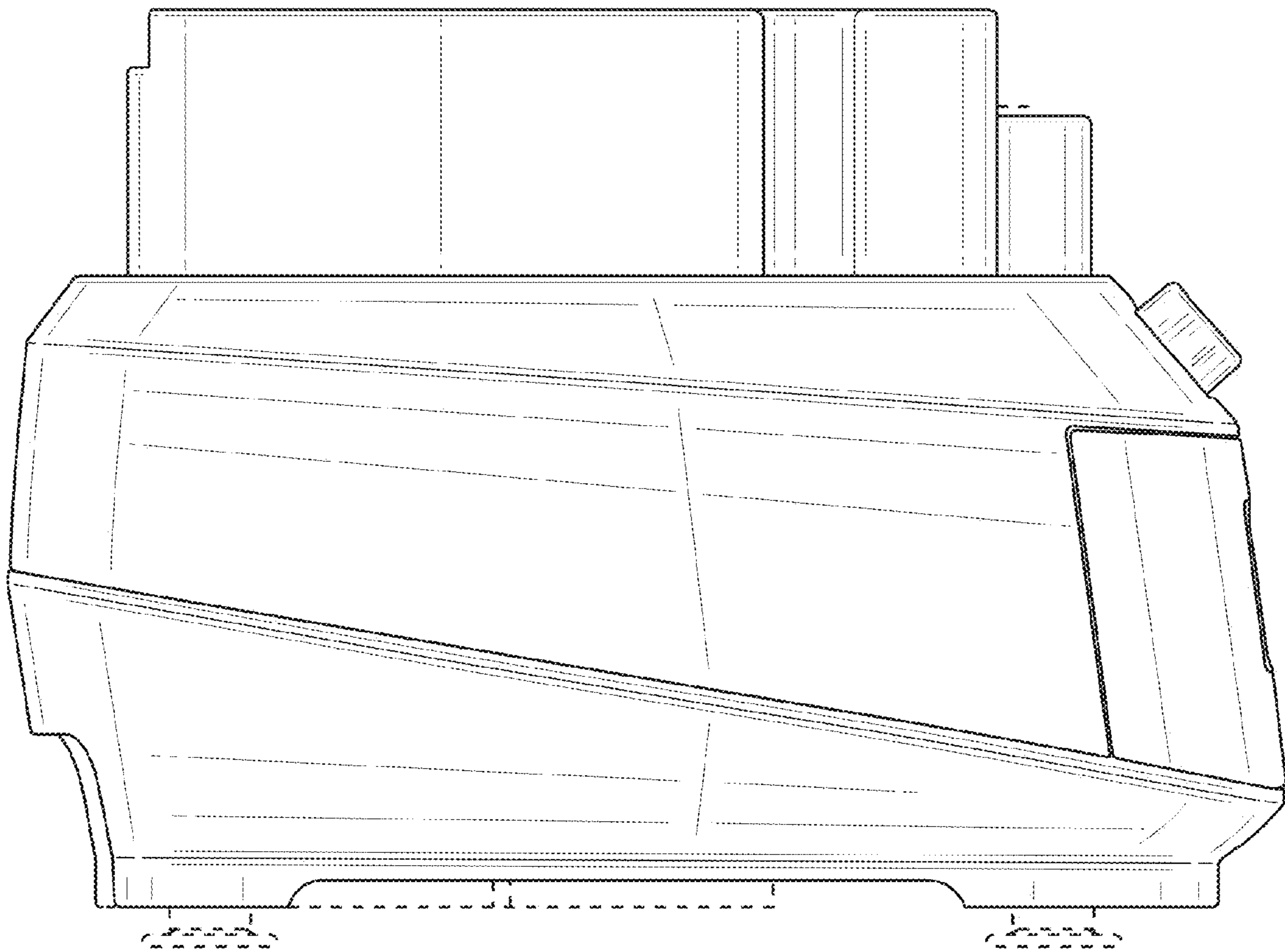


FIG. 4

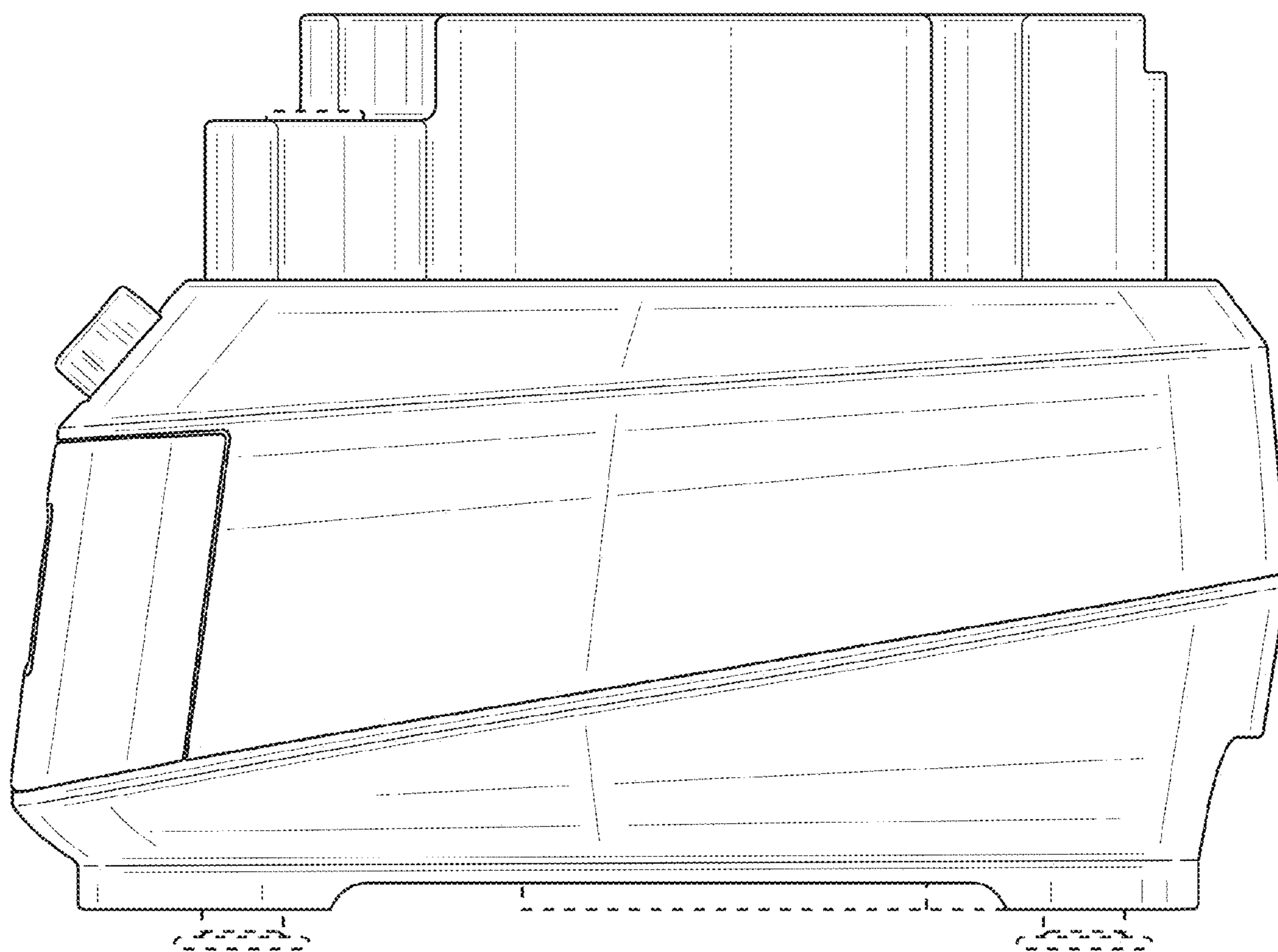


FIG. 5

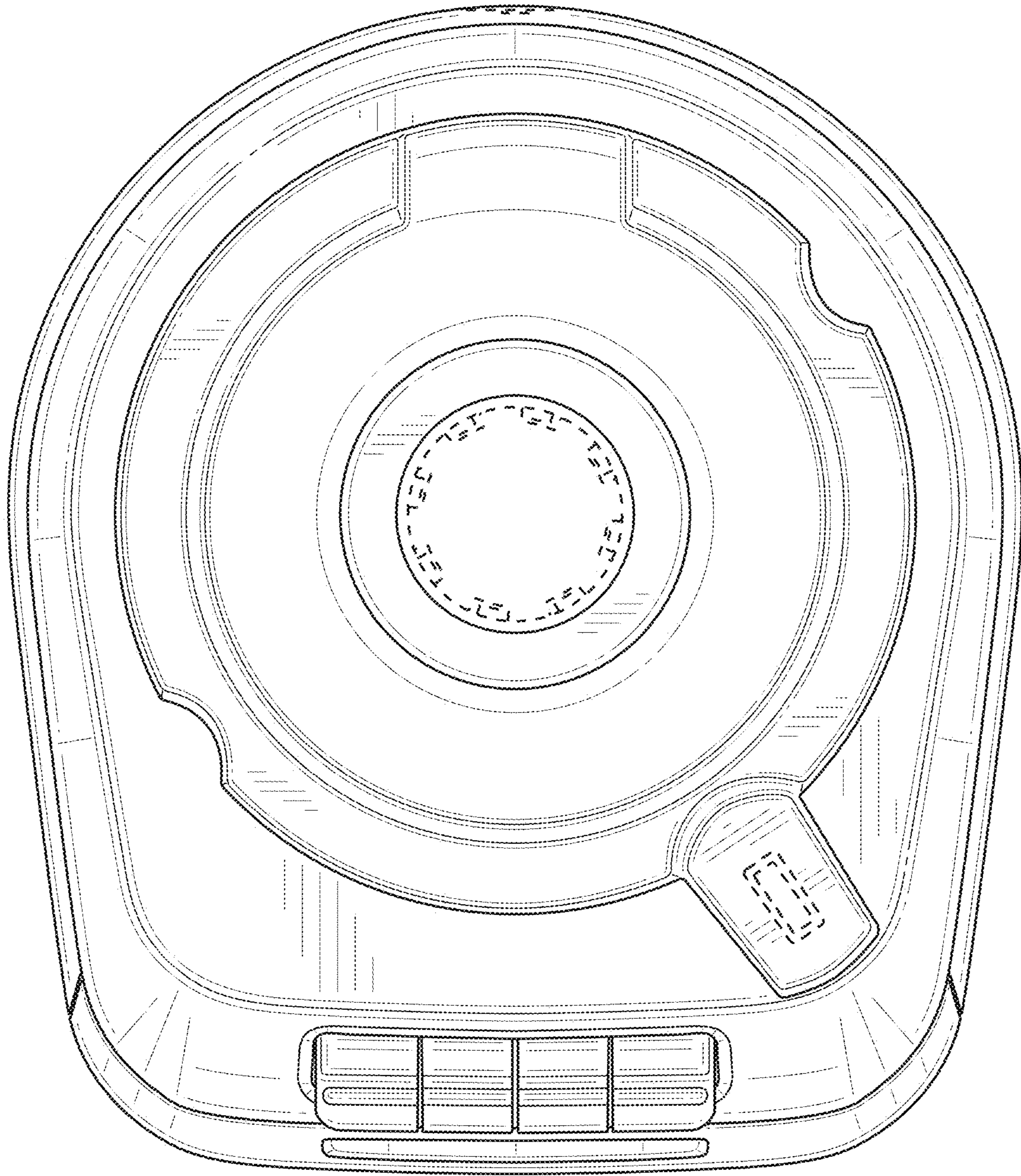


FIG. 6

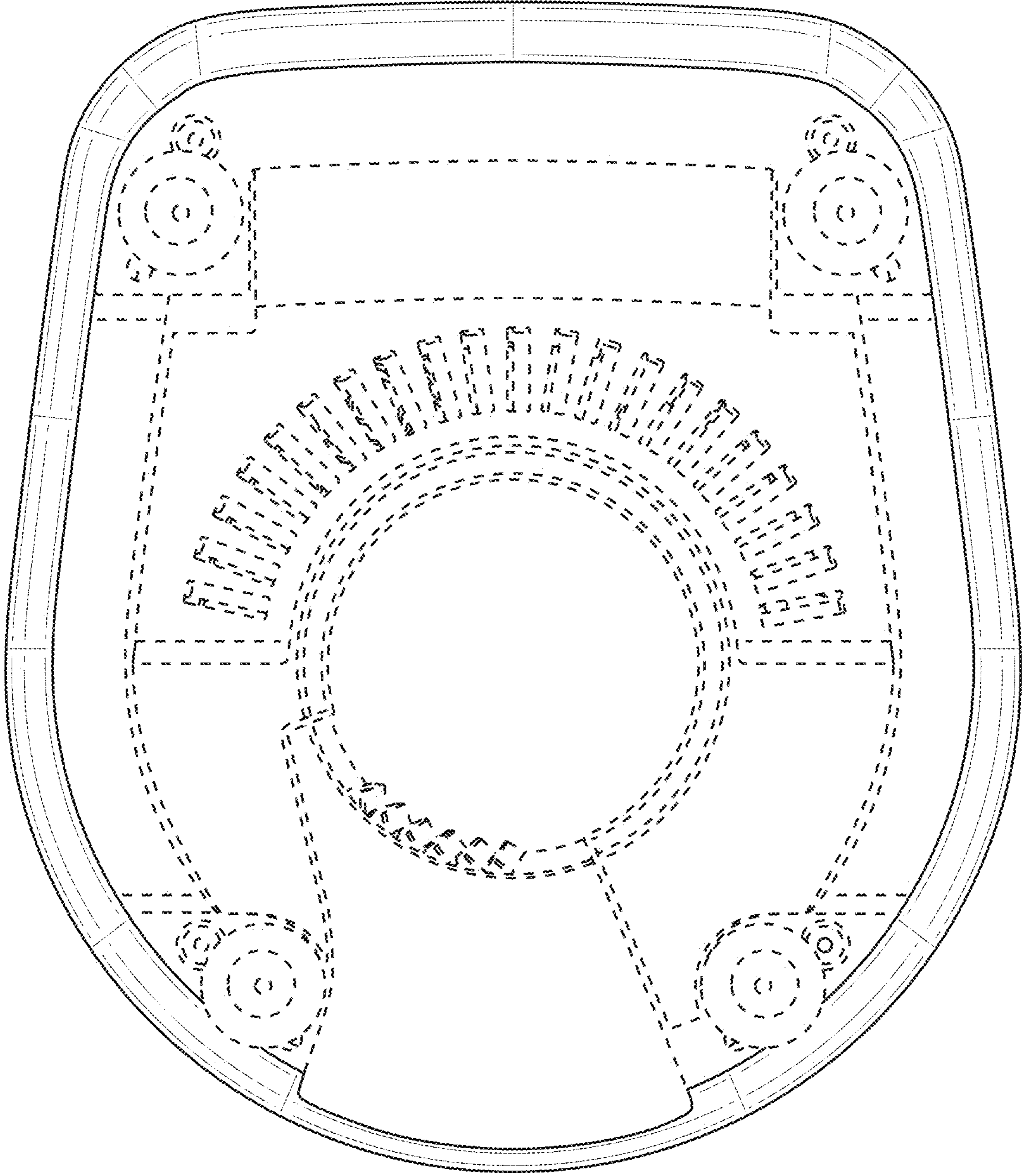


FIG. 7

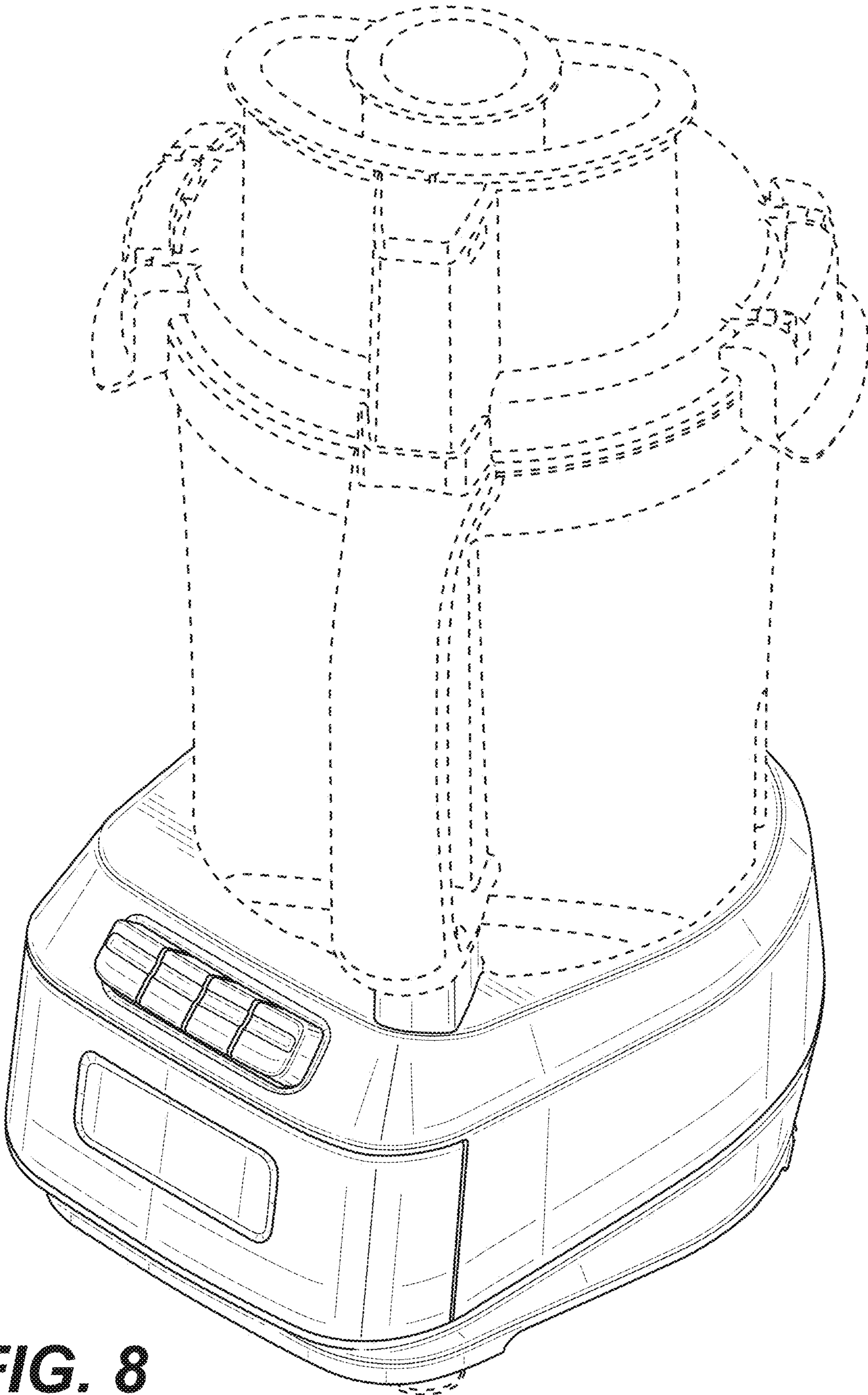


FIG. 8