



US00D886512S

(12) **United States Design Patent** (10) **Patent No.:** **US D886,512 S**  
**Thun et al.** (45) **Date of Patent:** **\*\* Jun. 9, 2020**

(54) **STICK BLENDER**

(71) Applicant: **Zwilling J.A. Henckels AG**, Solingen (DE)

(72) Inventors: **Matteo Thun**, Mailand (IT); **Antonio Rodriguez**, Mailand (IT)

(73) Assignee: **ZWILLING J.A. HENCKELS AG**, Solingen (DE)

(\*\*) Term: **15 Years**

(21) Appl. No.: **29/682,544**

(22) Filed: **Mar. 6, 2019**

(30) **Foreign Application Priority Data**

Sep. 11, 2018 (EM) ..... 005636552-0007

(51) **LOC (12) Cl.** ..... **31-00**

(52) **U.S. Cl.**  
USPC ..... **D7/379; D7/376; D7/378; D7/380**

(58) **Field of Classification Search**  
USPC ..... D7/372, 376-386, 412-413, 602, 629,  
D7/665-666, 669, 679, 693-694

CPC .... A21C 1/02; A21C 1/04; A23N 1/00; A23N  
1/02; A47J 43/04; A47J 43/25; A47J  
43/27; A47J 43/042; A47J 43/044; A47J  
43/046; A47J 43/075; A47J 43/0722;  
A47J 43/0727; B01F 3/00; B01F 3/0807;  
B01F 3/0853; B01F 13/0059; B01F  
13/0064; B02C 1/08; B02C 2/04; B02C  
4/42; B02C 4/142; B02C 4/143; B02C  
4/423; B02C 13/1835; B28C 5/10; B28C  
5/12; B28C 5/14; B28C 5/16

See application file for complete search history.

(56) **References Cited**

U.S. PATENT DOCUMENTS

D327,603 S *	7/1992	van Asten .....	D7/376
D348,587 S *	7/1994	Saltet .....	D7/376
D358,293 S *	5/1995	Sebastia .....	D7/376
D361,241 S *	8/1995	Littmann .....	D7/376
D534,032 S *	12/2006	Lloyd .....	D7/380
D614,438 S *	4/2010	Fukasawa .....	D7/376
D644,479 S *	9/2011	Lownds .....	D7/376
D681,391 S *	5/2013	Agren .....	D7/376
D724,373 S *	3/2015	Jl .....	D7/376
D756,166 S *	5/2016	Lee .....	D7/376
D805,345 S *	12/2017	Ho .....	D7/380
D817,081 S *	5/2018	Verbrugge .....	D7/379
D848,205 S *	5/2019	Mullen .....	D7/379

\* cited by examiner

*Primary Examiner* — Ricky Pham

(74) *Attorney, Agent, or Firm* — Gregory L. Mayback;  
Dickinson Wright PLLC

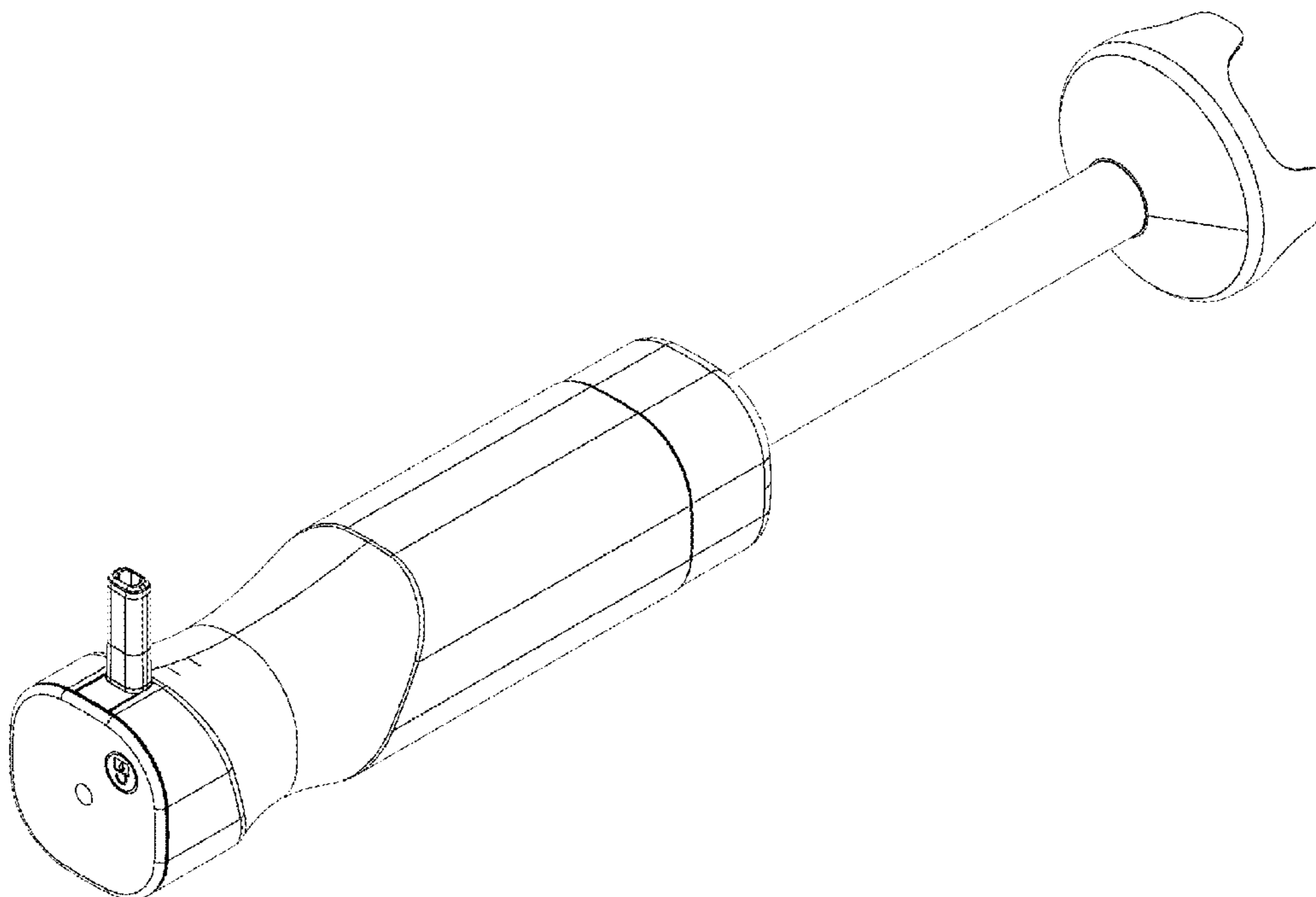
(57) **CLAIM**

The ornamental design for a stick blender, as shown and described.

**DESCRIPTION**

FIG. 1 is a perspective view of a stick blender showing our new design;  
FIG. 2 is an enlarged top plan view thereof;  
FIG. 3 is a left side elevation view thereof;  
FIG. 4 is a front elevation view thereof;  
FIG. 5 is a right side elevation view thereof;  
FIG. 6 is a rear elevation view thereof; and,  
FIG. 7 is an enlarged bottom plan view thereof.

**1 Claim, 7 Drawing Sheets**



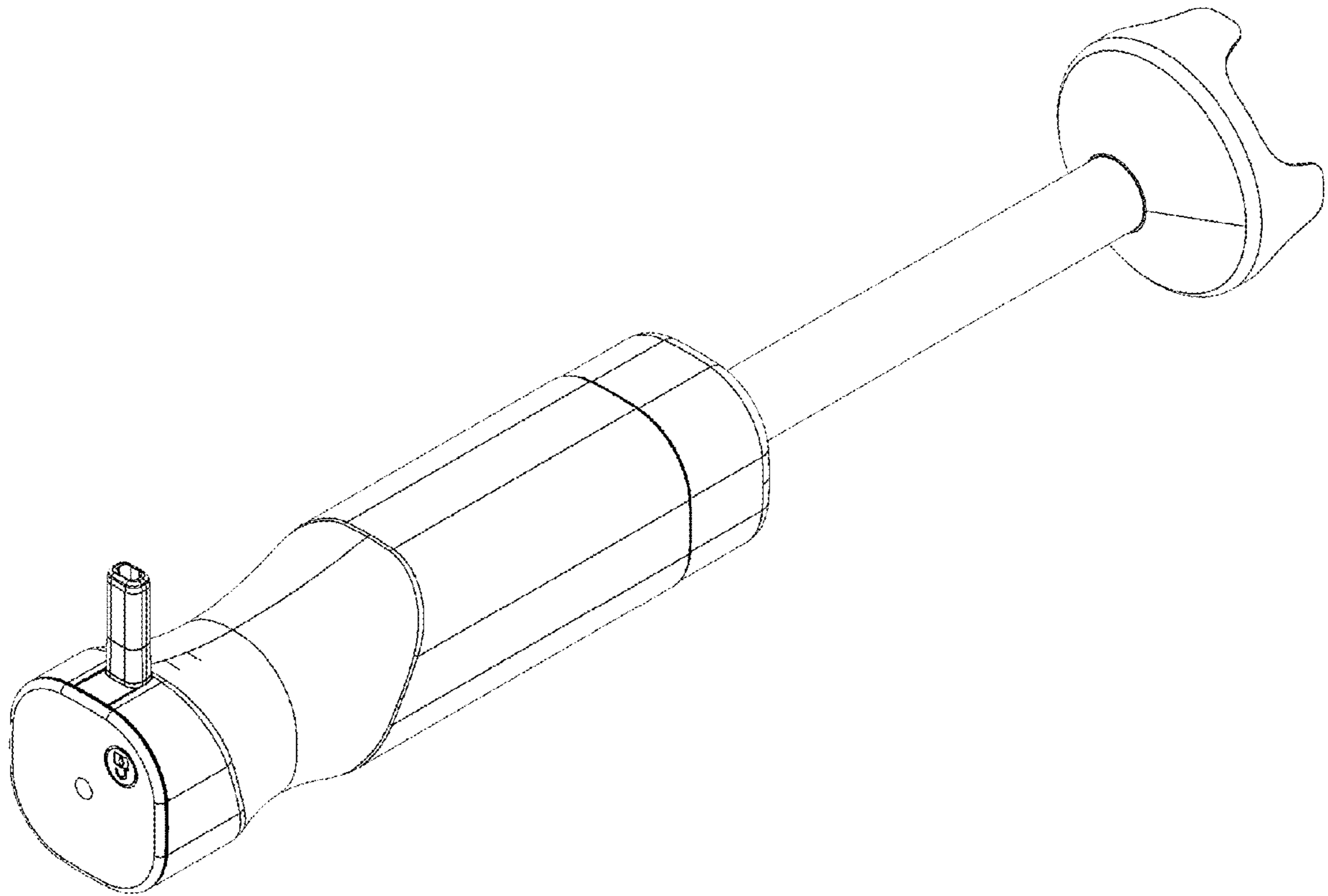


FIG. 1

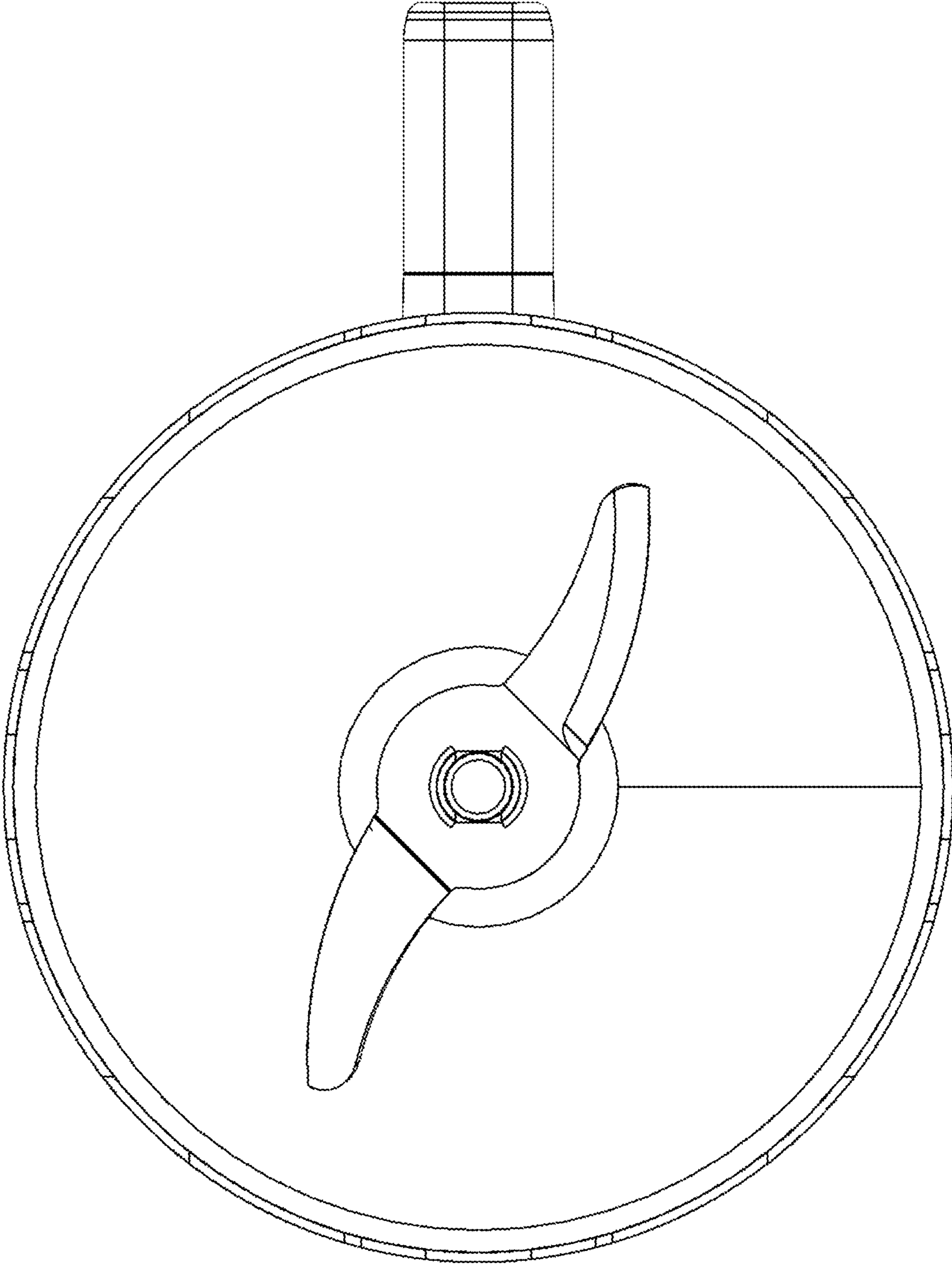


FIG. 2

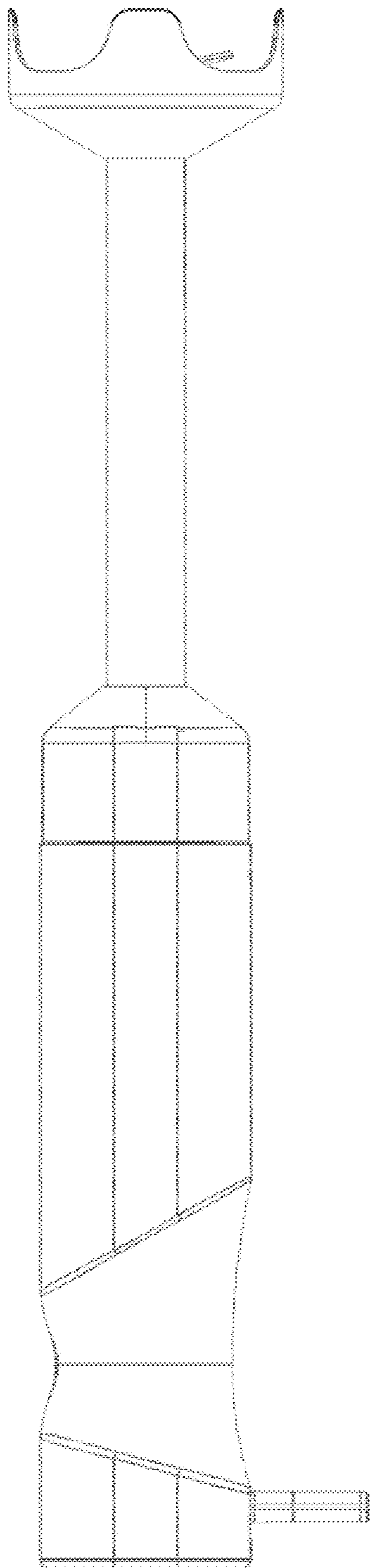


FIG. 3

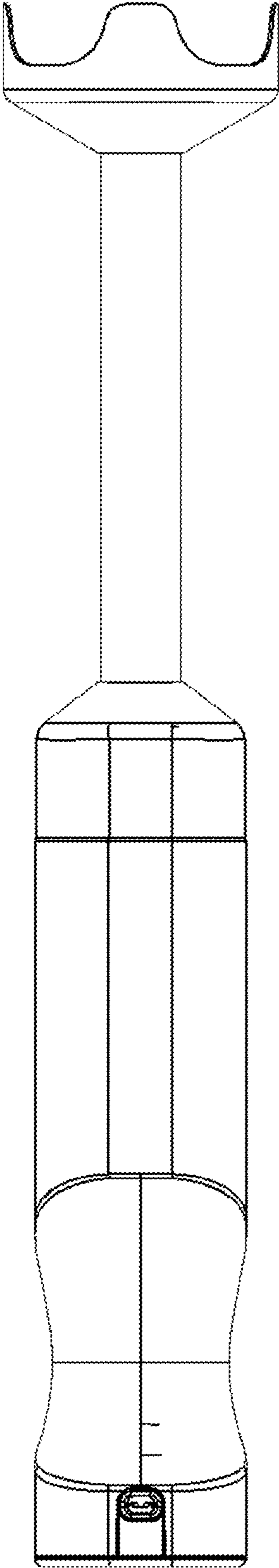


FIG. 4

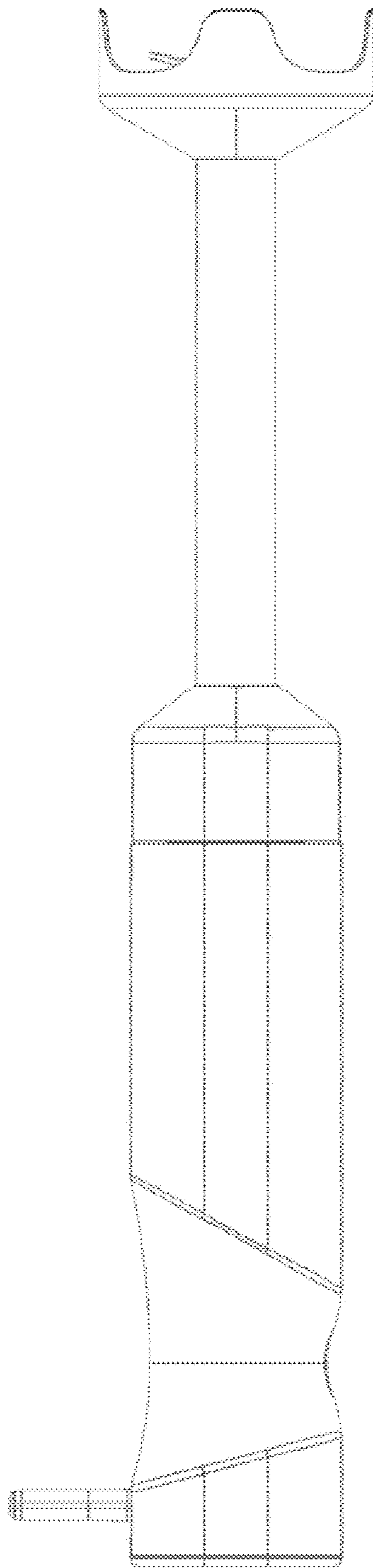


FIG. 5

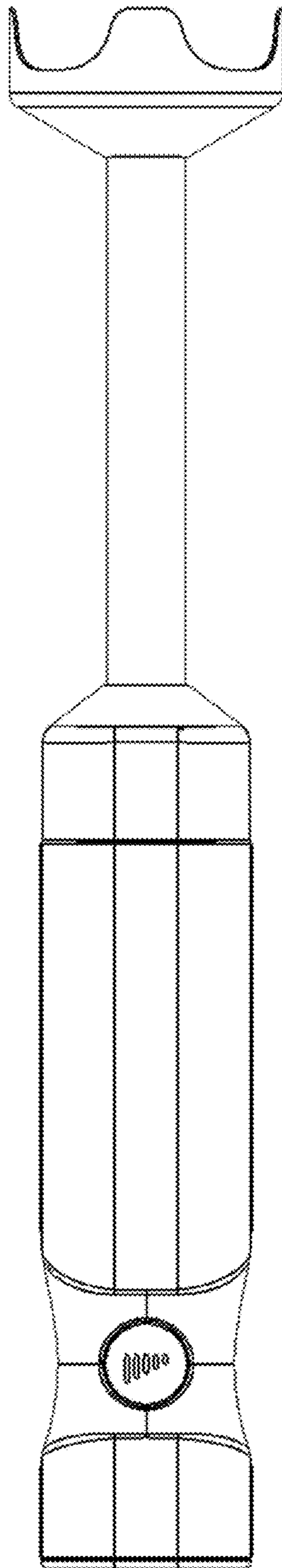


FIG. 6

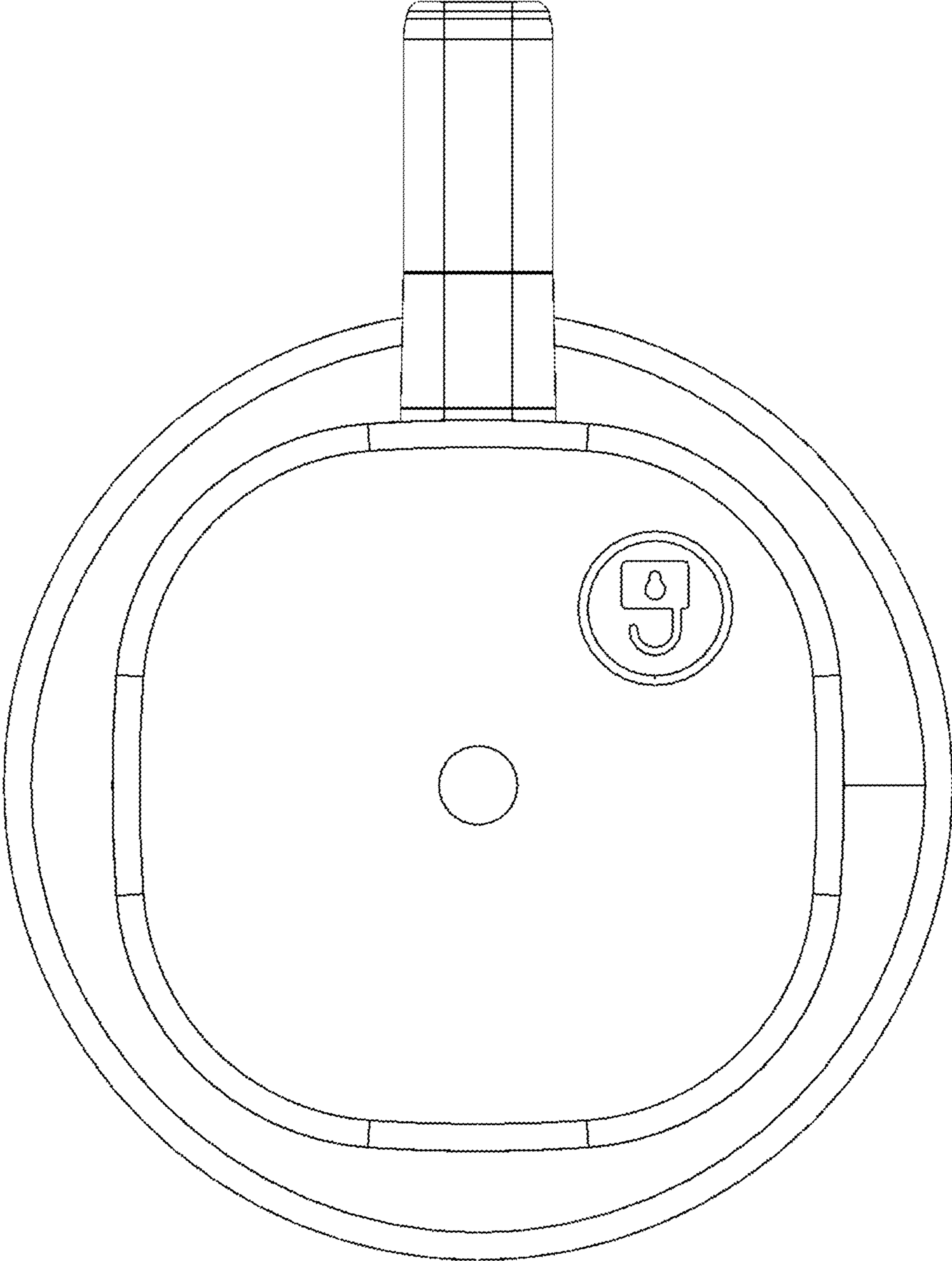


FIG. 7