



US00D886511S

(12) **United States Design Patent** (10) **Patent No.:** **US D886,511 S**
Sheng et al. (45) **Date of Patent:** **** Jun. 9, 2020**

(54) **WATERLESS COOKER**
(71) Applicants: **Fu Tai Hua Industry (Shenzhen) Co., Ltd.**, Shenzhen (CN); **HON HAI PRECISION INDUSTRY CO., LTD.**, New Taipei (TW)
(72) Inventors: **Ying-Wei Sheng**, New Taipei (TW); **Yu-Chao Li**, Shenzhen (CN)
(73) Assignees: **Fu Tai Hua Industry (Shenzhen) Co., Ltd.**, Shenzhen (CN); **HON HAI PRECISION INDUSTRY CO., LTD.**, New Taipei (TW)

(56) **References Cited**
U.S. PATENT DOCUMENTS
D178,690 S * 9/1956 Painter D7/360
D199,747 S * 12/1964 Farber D7/354
D281,050 S * 10/1985 Cesaroni D7/360
D380,341 S * 7/1997 Naft D7/354
D381,553 S * 7/1997 Candianides D7/354
D449,958 S * 11/2001 Liu D7/356
D641,201 S * 7/2011 Molayem D7/354
D695,058 S * 12/2013 Garman A47J 37/0611
D7/357

(Continued)

Primary Examiner — Ricky Pham
(74) *Attorney, Agent, or Firm* — ScienBiziP, P.C.

(**) Term: **15 Years**
(21) Appl. No.: **29/653,007**
(22) Filed: **Jun. 12, 2018**

(57) **CLAIM**

We claim the ornamental design for a waterless cooker, as shown and described.

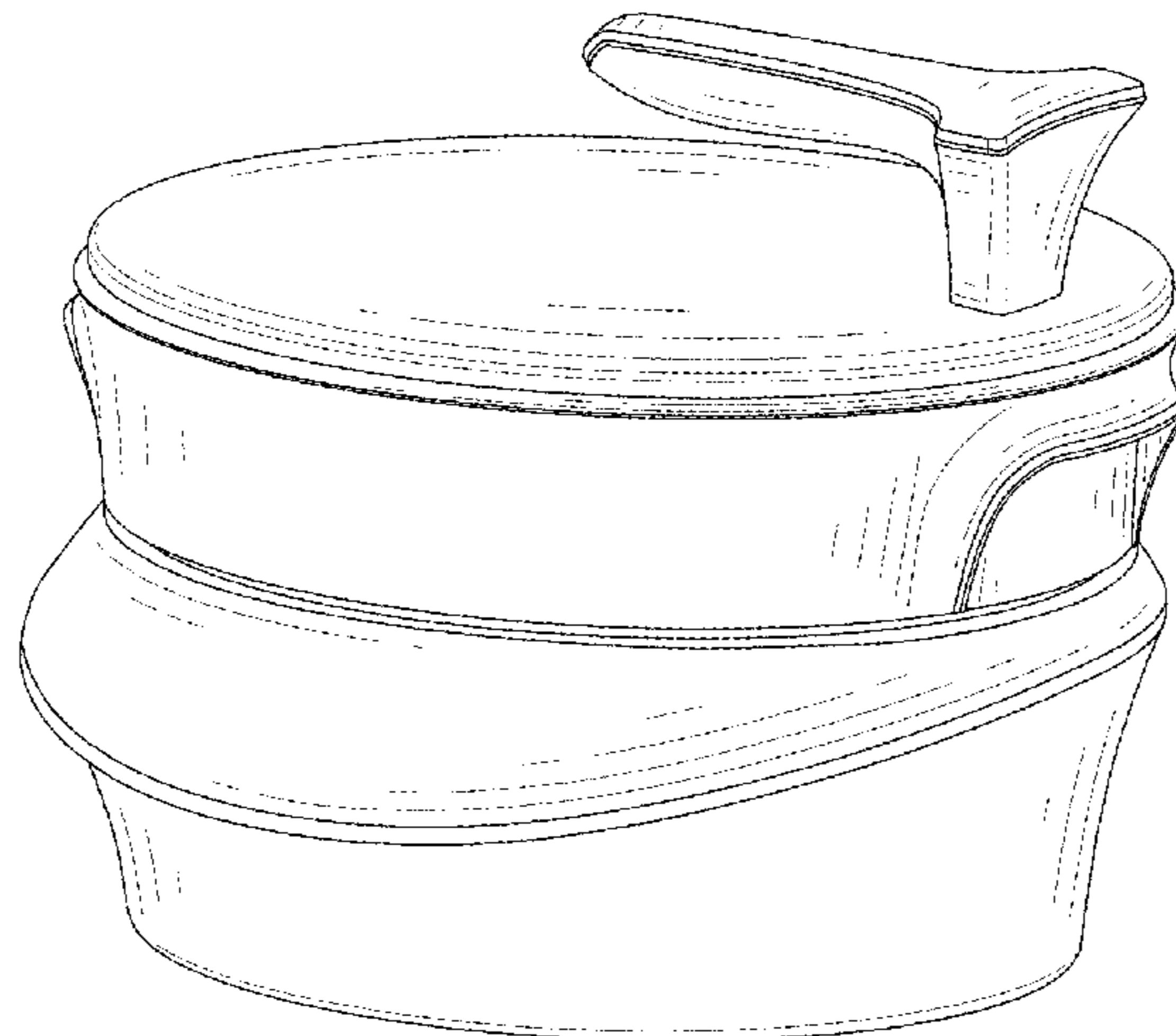
(30) **Foreign Application Priority Data**
Apr. 9, 2018 (CN) 2018 3 0140938
(51) **LOC (12) Cl.** **07-02**
(52) **U.S. Cl.**
USPC **D7/356; D7/354**
(58) **Field of Classification Search**
USPC D7/323, 352-361, 391, 393, 549
CPC A47J 27/00; A47J 27/004; A47J 27/04;
A47J 27/08; A47J 27/0802; A47J 27/0804; A47J 27/0811; A47J 27/0813; A47J 27/0815; A47J 27/0817; A47J 27/084; A47J 27/09; A47J 27/092; A47J 36/025; A47J 36/06; A47J 37/12; A47J 37/1204; A47J 37/1209; A47J 45/06; A47J 45/07; A47J 45/071; A47J 45/074; A47J 45/08; B01D 2201/345; B01J 3/03; B01J 3/04; F01P 2011/0247; F01P 2011/0252; H05B 6/00; H05B 6/02; H05B 6/06

DESCRIPTION

FIG. 1 is a perspective view of an embodiment of a waterless cooker, showing our new design;
FIG. 2 is a perspective view of the waterless cooker shown in FIG. 1, but viewed from another aspect;
FIG. 3 is a front perspective view of the waterless cooker shown in FIG. 1;
FIG. 4 is a rear elevation view of the waterless cooker shown in FIG. 1;
FIG. 5 is a left side elevation view of the waterless cooker shown in FIG. 1;
FIG. 6 is a right side elevation view of the waterless cooker shown in FIG. 1;
FIG. 7 is a top plan view of the waterless cooker shown in FIG. 1; and,
FIG. 8 is a bottom plan view of the waterless cooker shown in FIG. 1.

(Continued)

See application file for complete search history.



The broken lines in the drawings are employed to show unclaimed portions of the article, and form no part of the claimed design.

1 Claim, 8 Drawing Sheets

(56) **References Cited**

U.S. PATENT DOCUMENTS

8,772,685	B2 *	7/2014	Backaert	A47J 27/04 219/682
D753,431	S *	4/2016	Garman	D7/352
D797,492	S *	9/2017	Shieh	D7/354
D797,514	S *	9/2017	Joseph	D7/549
10,486,857	B2 *	11/2019	Gossens	A47J 45/06

* cited by examiner

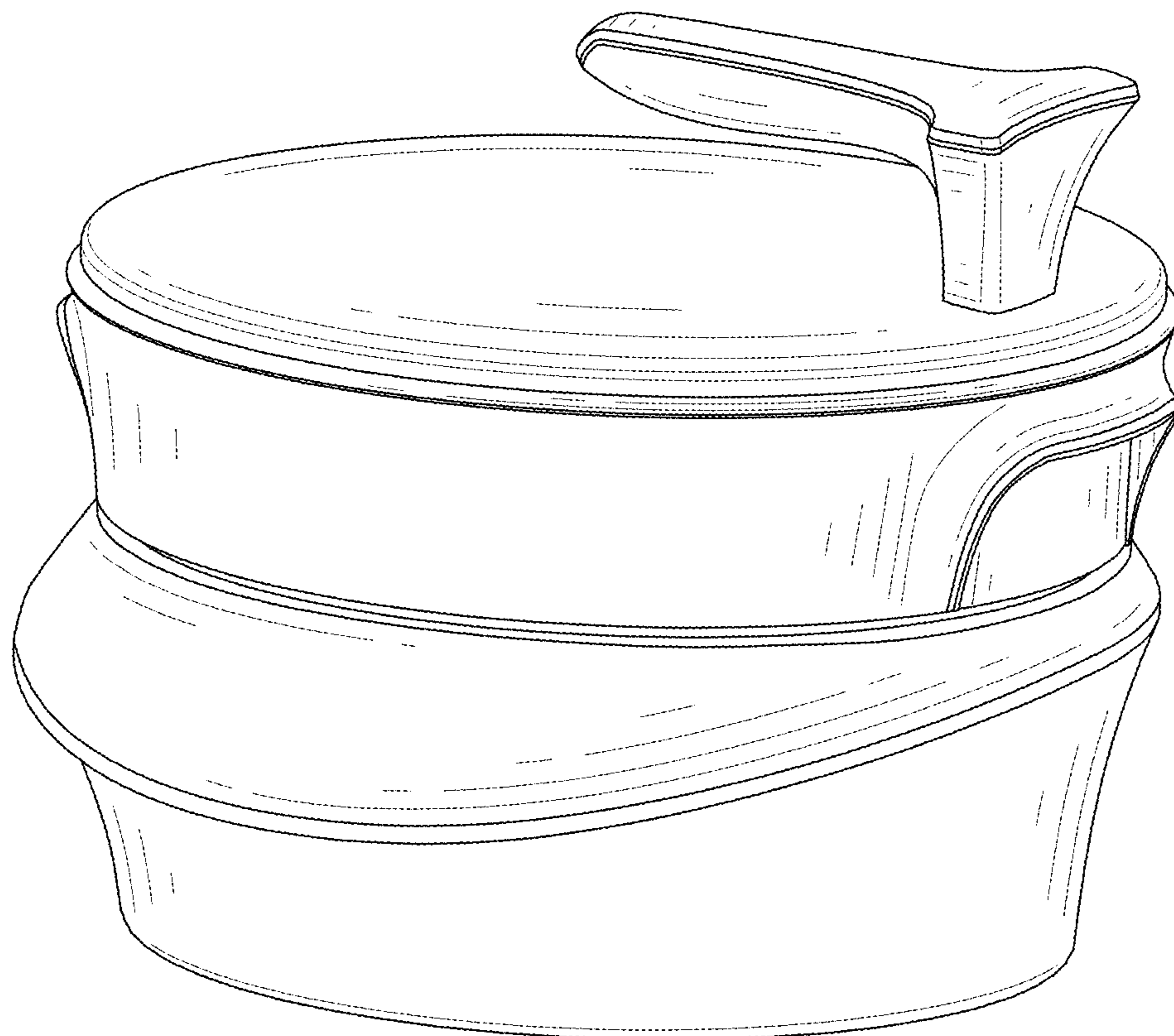


FIG. 1

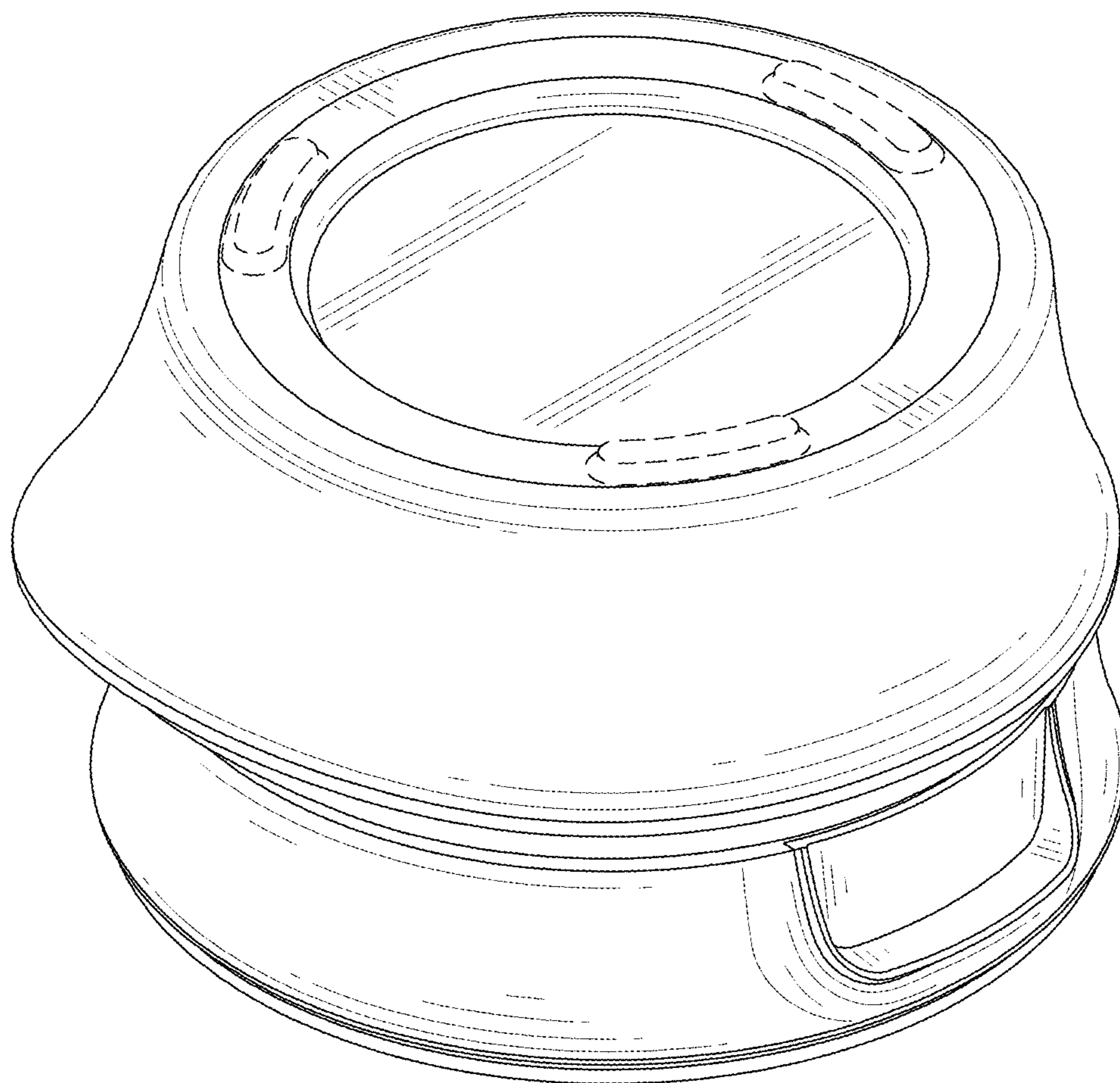


FIG. 2

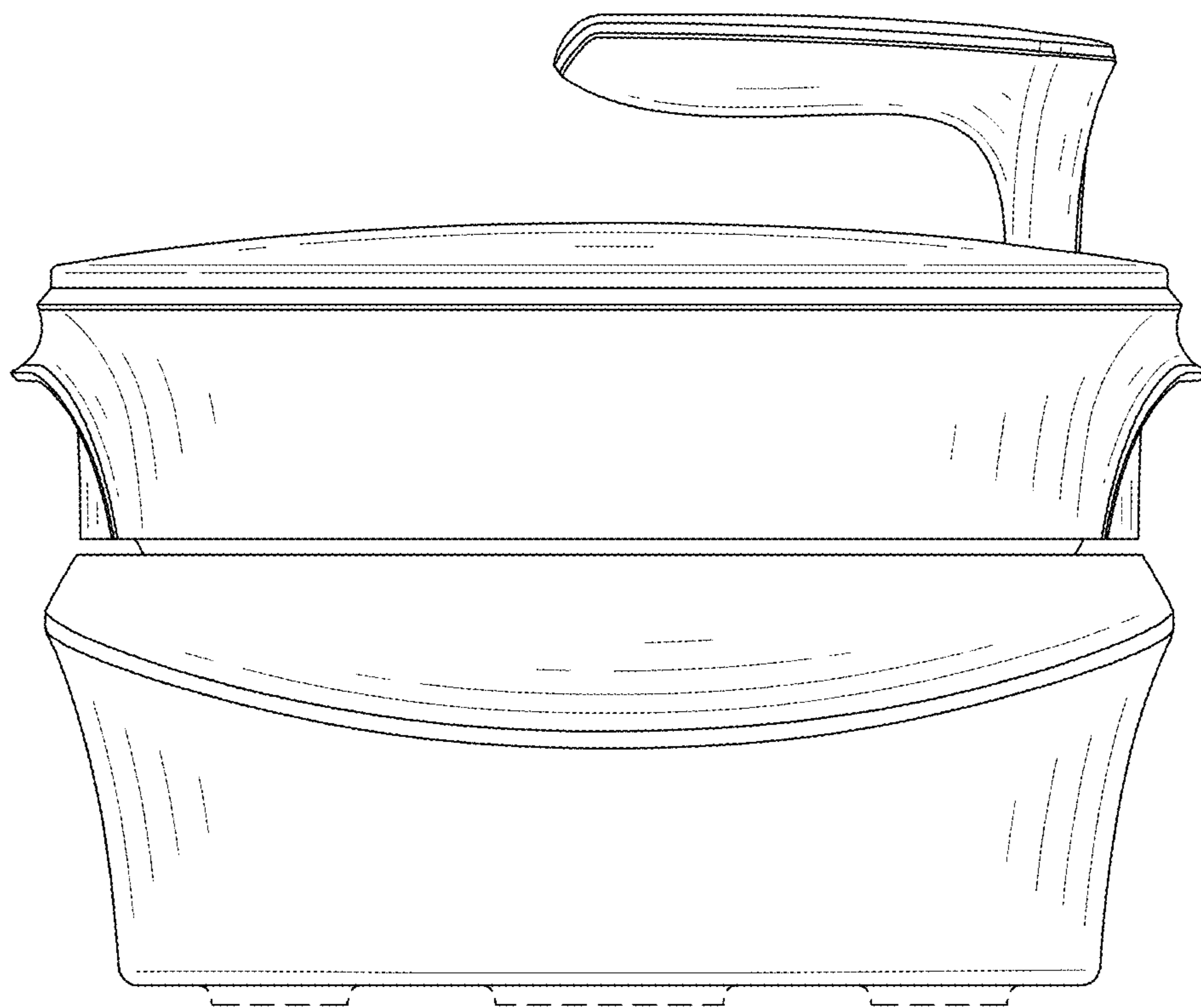


FIG. 3

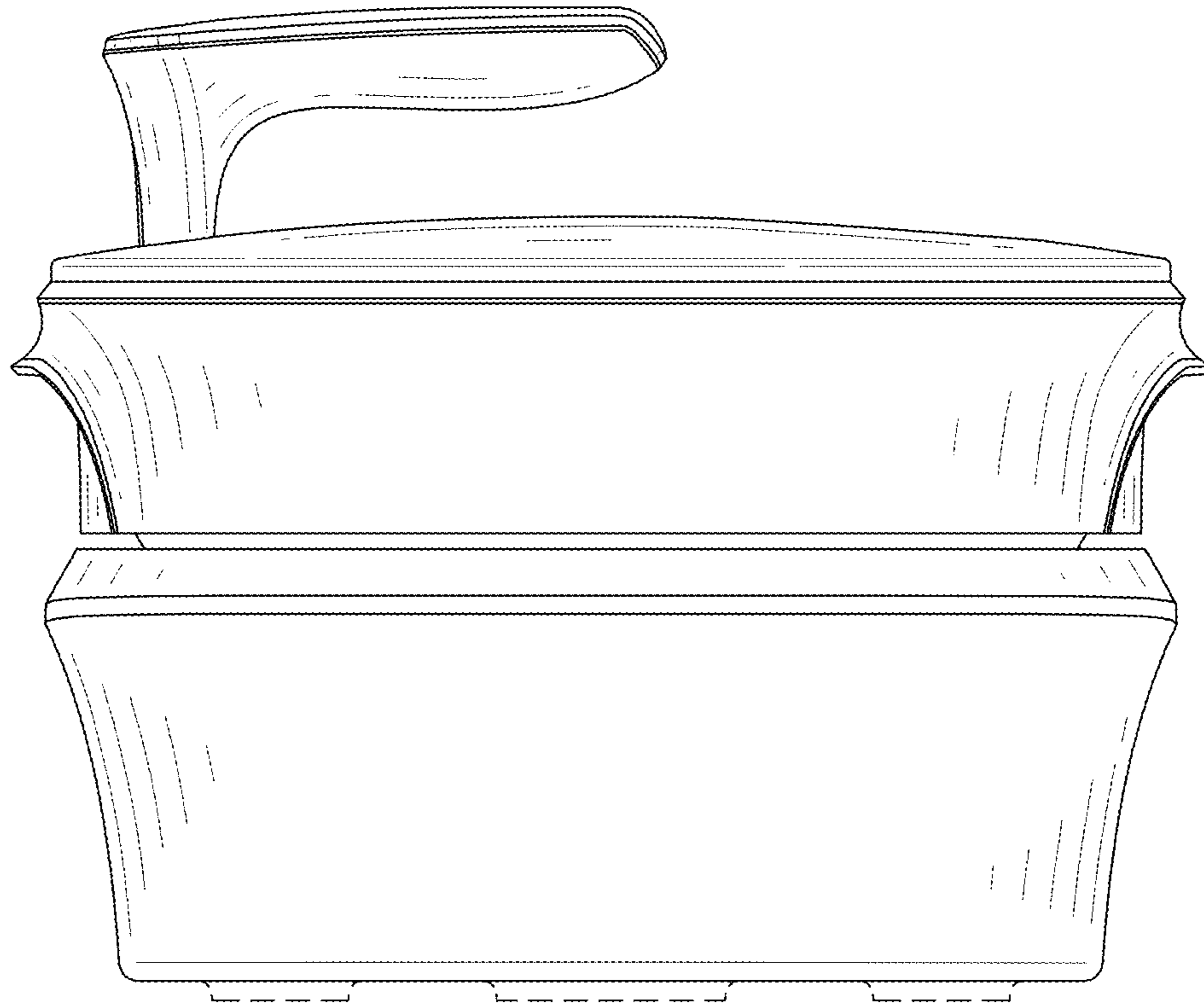


FIG. 4

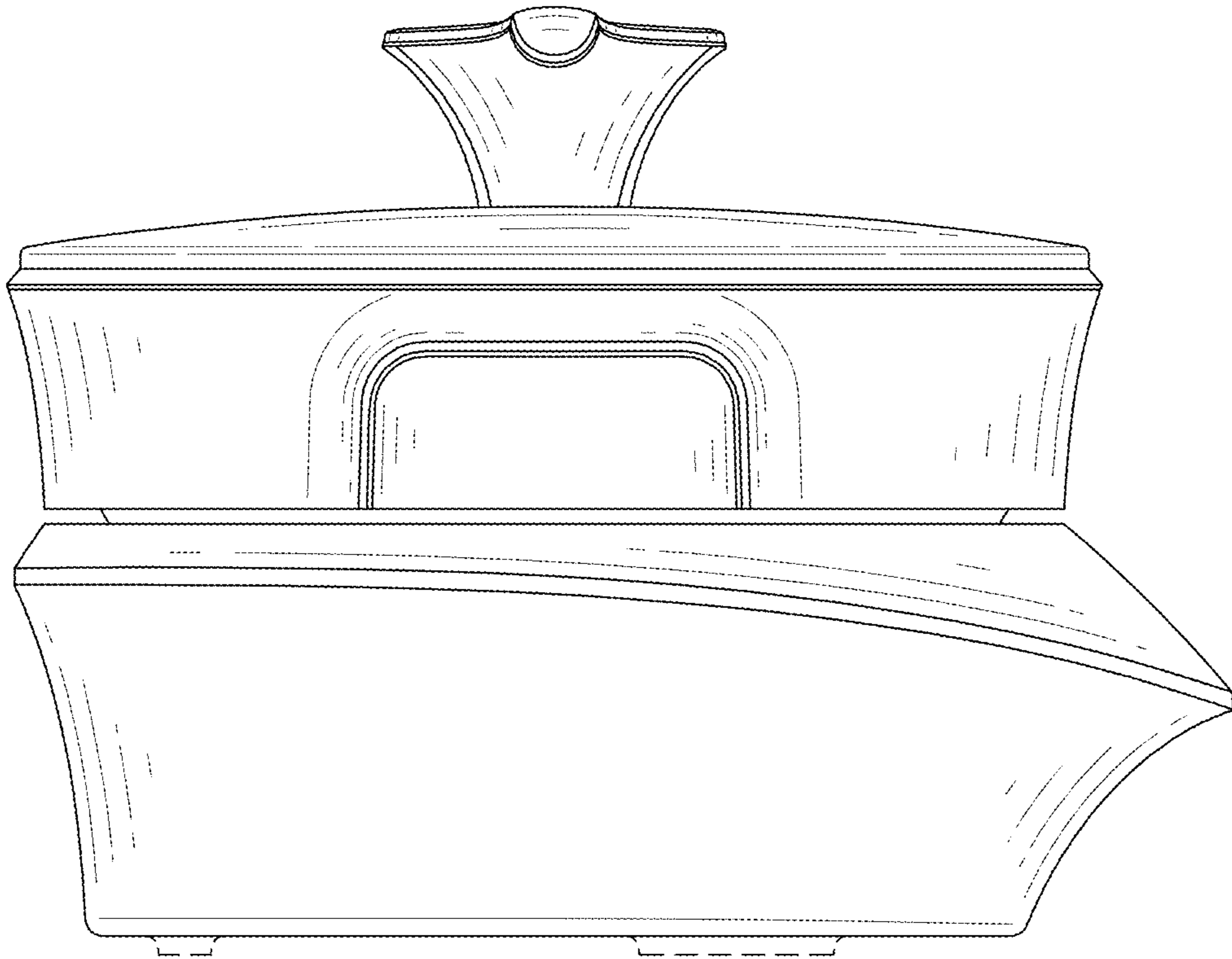


FIG. 5

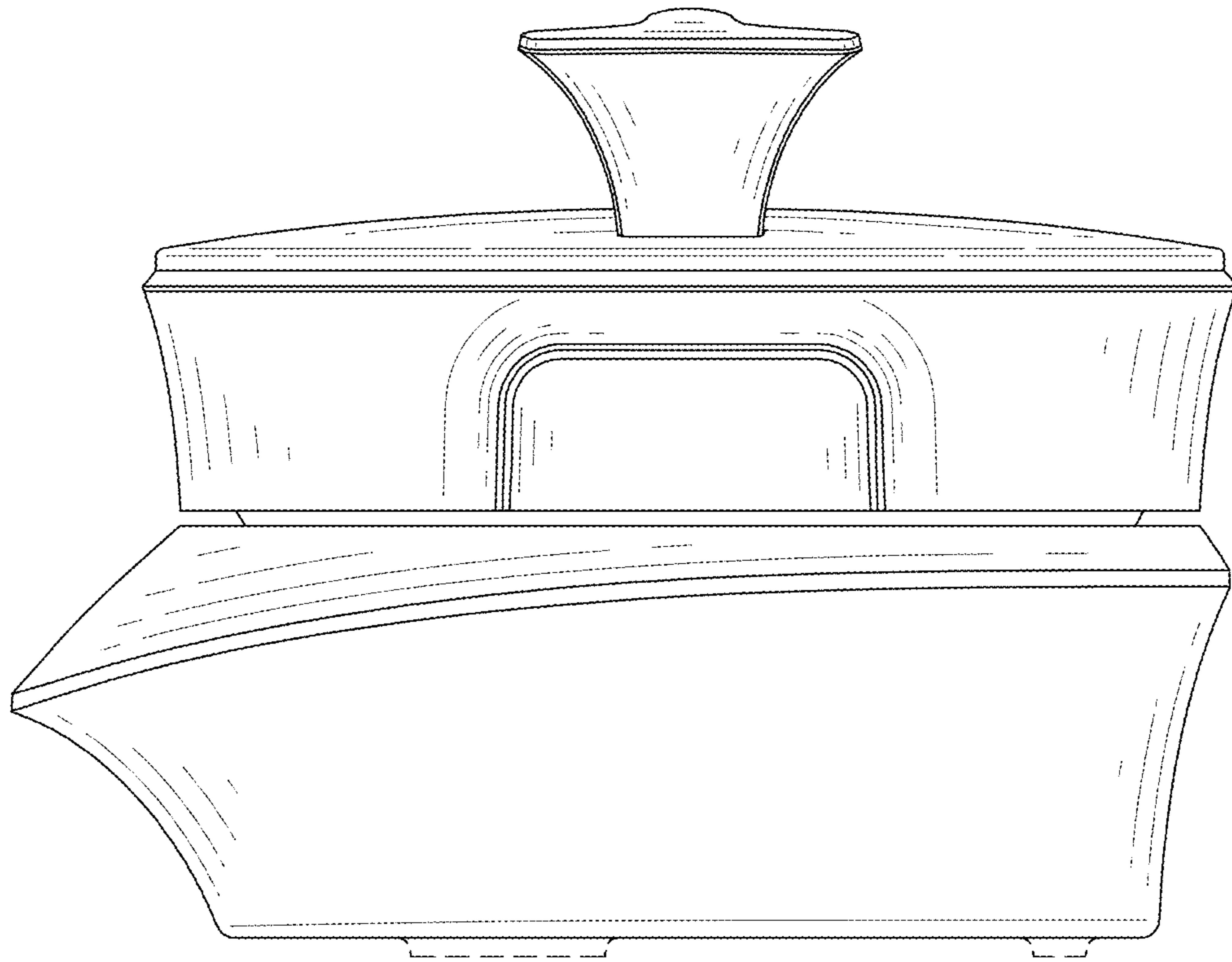


FIG. 6

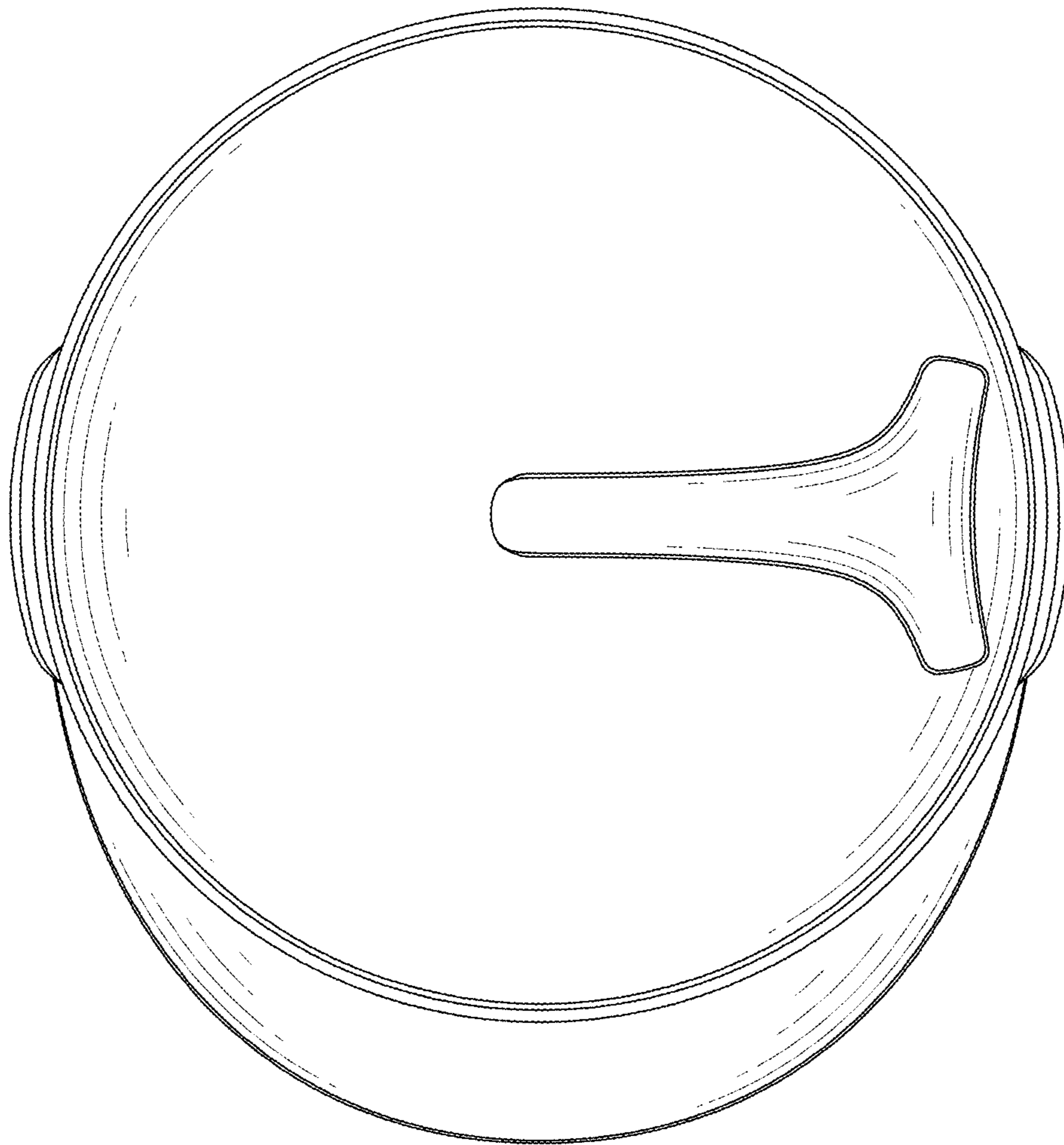


FIG. 7

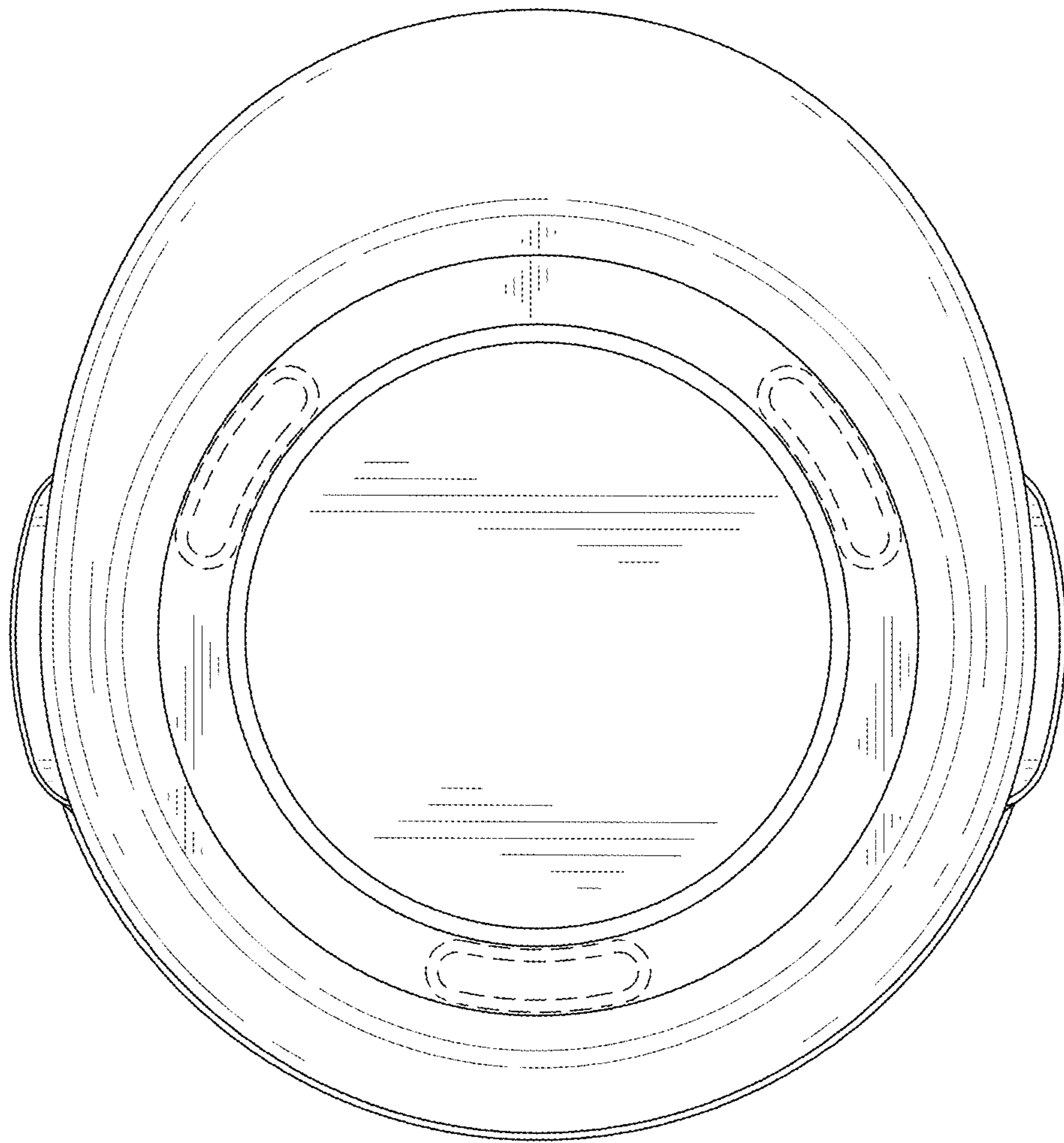


FIG. 8