



US00D886509S

(12) **United States Design Patent** (10) **Patent No.:** **US D886,509 S**
Caroen et al. (45) **Date of Patent:** **** Jun. 9, 2020**

(54) **COOKING APPLIANCE**

8,490,614 B1 * 7/2013 Gregory A47J 37/0754
126/1 R

(71) Applicant: **BURGER KING CORPORATION**,
Miami, FL (US)

D716,599 S * 11/2014 Kam D7/335
2008/0257334 A1 * 10/2008 Brunner A47J 37/0713
126/39 R

(72) Inventors: **Adrian Caroen**, London (GB);
Matthew Tidnam, London (GB); **Neil Baron**, London (GB)

(Continued)

Primary Examiner — Brett Miller

(74) *Attorney, Agent, or Firm* — Arent Fox LLP

(73) Assignee: **BURGER KING CORPORATION**,
Miami, FL (US)

(57) **CLAIM**

The ornamental design for a cooking appliance, as shown and described.

(**) Term: **15 Years**

DESCRIPTION

(21) Appl. No.: **29/666,437**

(22) Filed: **Oct. 12, 2018**

(51) **LOC (12) Cl.** **07-02**

(52) **U.S. Cl.**

USPC **D7/338**

(58) **Field of Classification Search**

USPC D7/332–337, 402–409, 339, 348, 347,
D7/323, 338, 331; 126/25 R; D23/343,
D23/348

CPC A47J 37/07–0786; A47J 33/00; A47J
2037/0777; A47J 2037/0795; A47J
37/0658; A47J 37/0623; A47J 37/0688;
A23B 4/044–056; F24B 1/202–205

See application file for complete search history.

FIG. 1 is a front left perspective view of a first embodiment of a cooking appliance showing our new design; FIG. 2 is a rear right perspective view of the design shown in FIG. 1;

FIG. 3 is a front view of the design shown in FIG. 1; FIG. 4 is a rear view of the design shown in FIG. 1;

FIG. 5 is a left side view of the design shown in FIG. 1; FIG. 6 is a right side view of the design shown in FIGS. 1;

FIG. 7 is a top view of the design shown in FIG. 1; FIG. 8 is a bottom view of the design shown in FIG. 1;

FIG. 9 is a front left perspective view of a second embodiment of a cooking appliance showing our new design;

FIG. 10 is a rear right perspective view of the design shown in FIG. 9;

FIG. 11 is a front view of the design shown in FIG. 9;

FIG. 12 is a rear view of the design shown in FIG. 9;

FIG. 13 is a left side view of the design shown in FIG. 9;

FIG. 14 is a right side view of the design shown in FIG. 9;

FIG. 15 is a top view of the design shown in FIG. 9; and,

FIG. 16 is a bottom view of the design shown in FIG. 9.

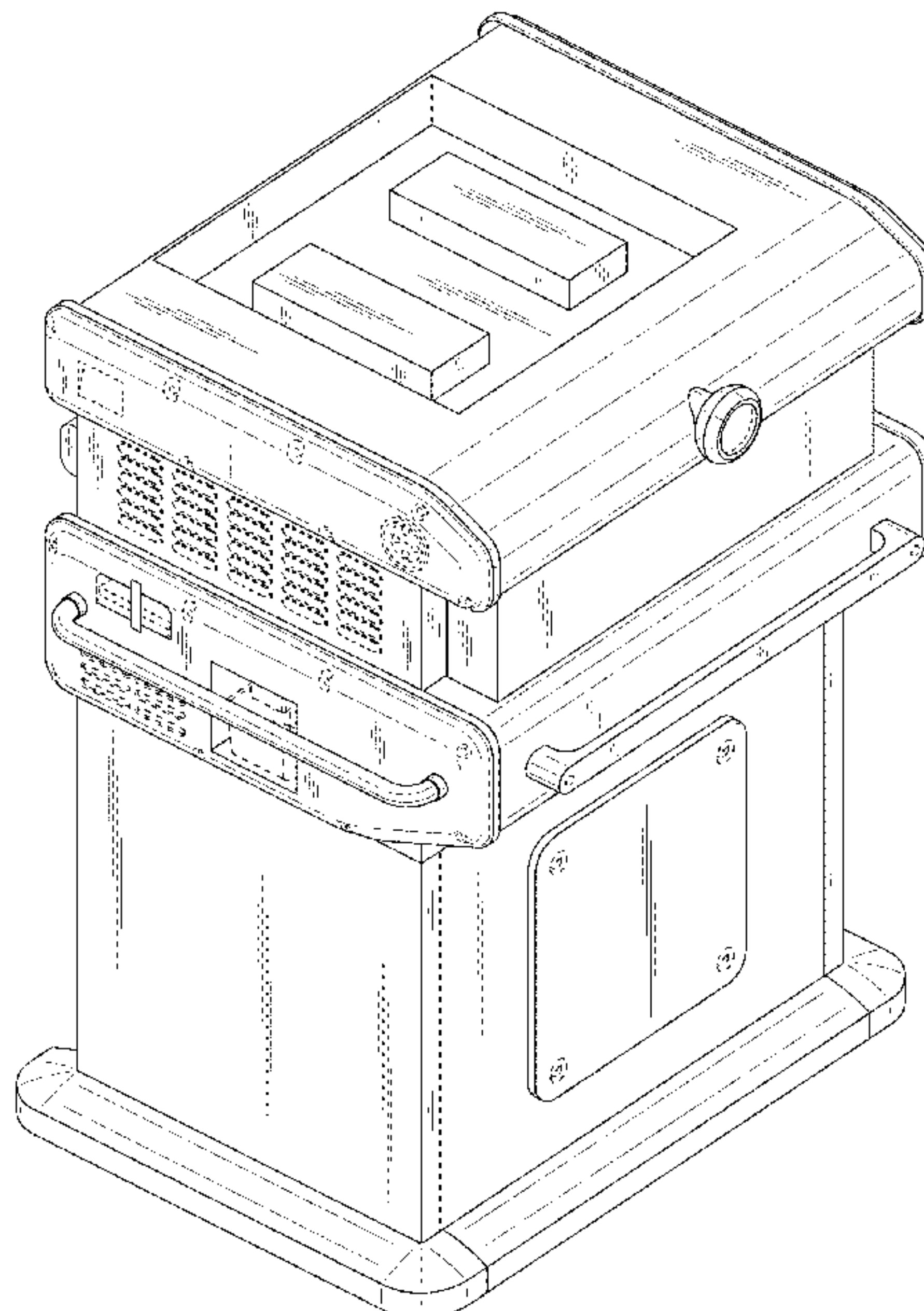
The broken lines shown in the figures are included for the purpose of illustrating portions of the cooking appliance and form no part of the claimed design.

(56) **References Cited**

U.S. PATENT DOCUMENTS

- D145,897 S * 11/1946 Hathaway D7/334
- D207,819 S * 5/1967 Reach D7/338
- 3,348,471 A * 10/1967 Lackenbauer A47J 37/0718
99/421 HH
- D570,151 S * 6/2008 Brunner D7/334
- D570,641 S * 6/2008 Brunner D7/334
- D619,411 S * 7/2010 Hill D7/334

1 Claim, 16 Drawing Sheets



(56)

References Cited

U.S. PATENT DOCUMENTS

2010/0275898 A1* 11/2010 Jansson A47J 37/0704
126/25 R
2016/0374508 A1* 12/2016 Streckfus F24C 15/001
99/325
2018/0338354 A1* 11/2018 Bassill H05B 6/687

* cited by examiner

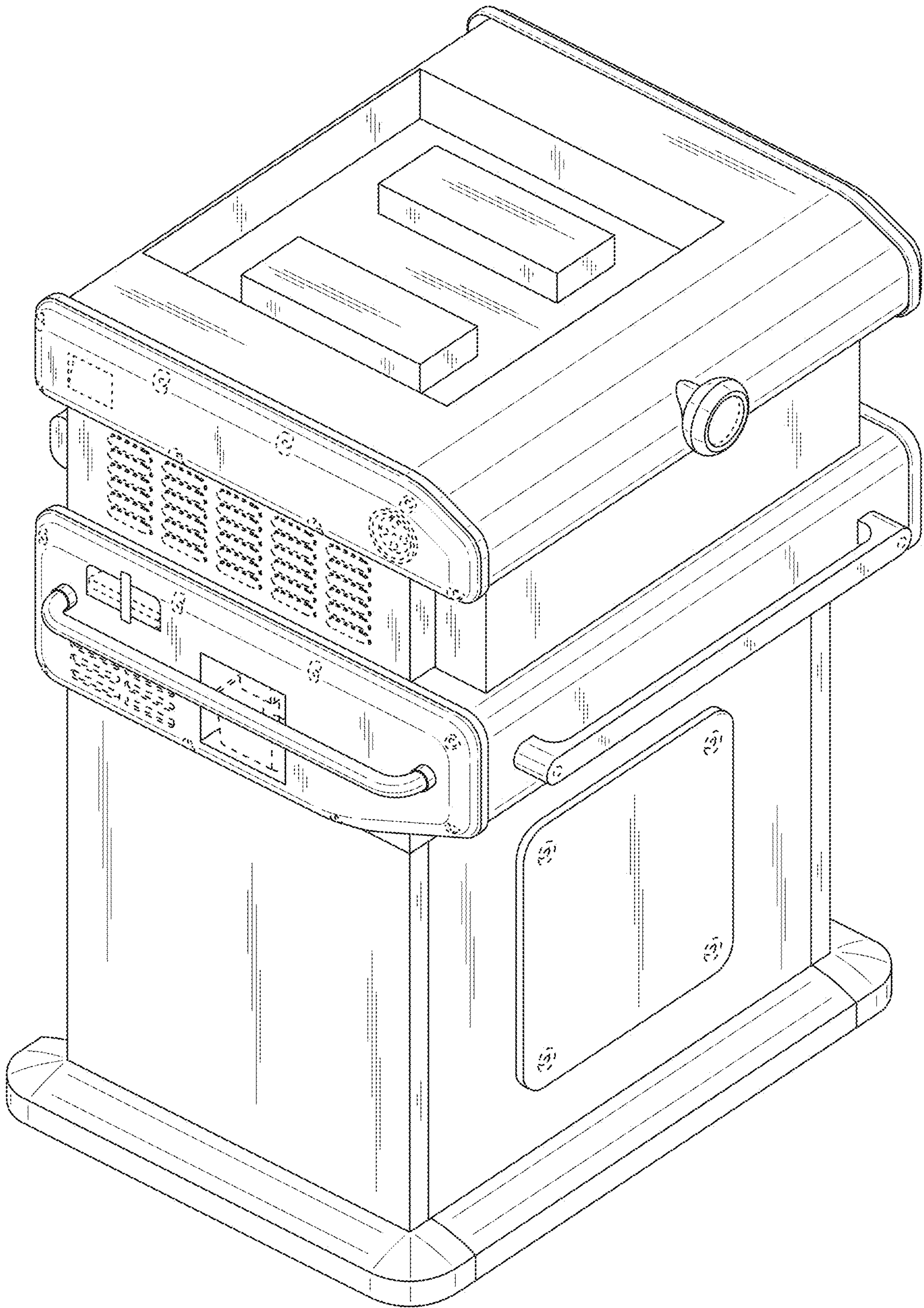


FIG. 1

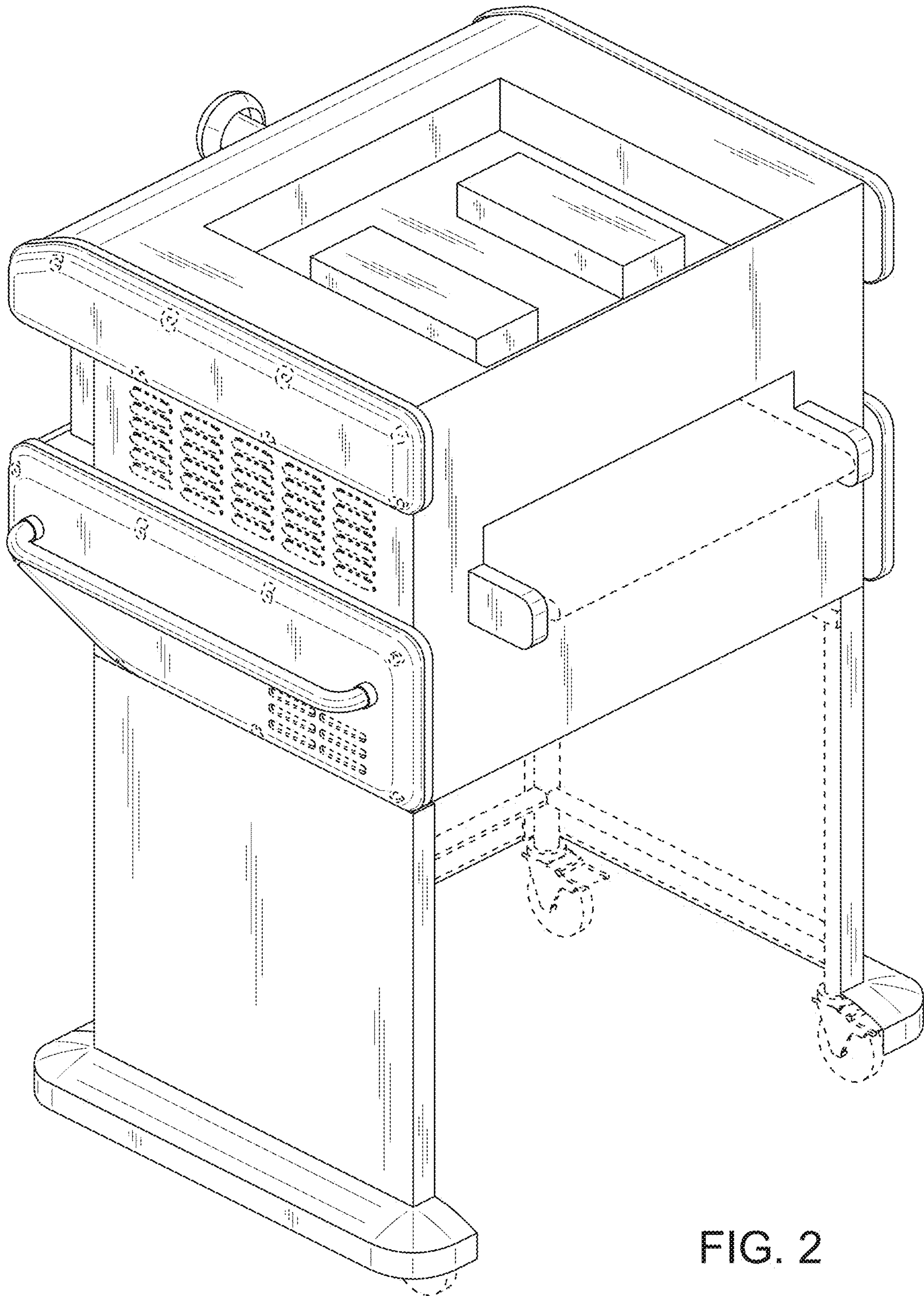


FIG. 2

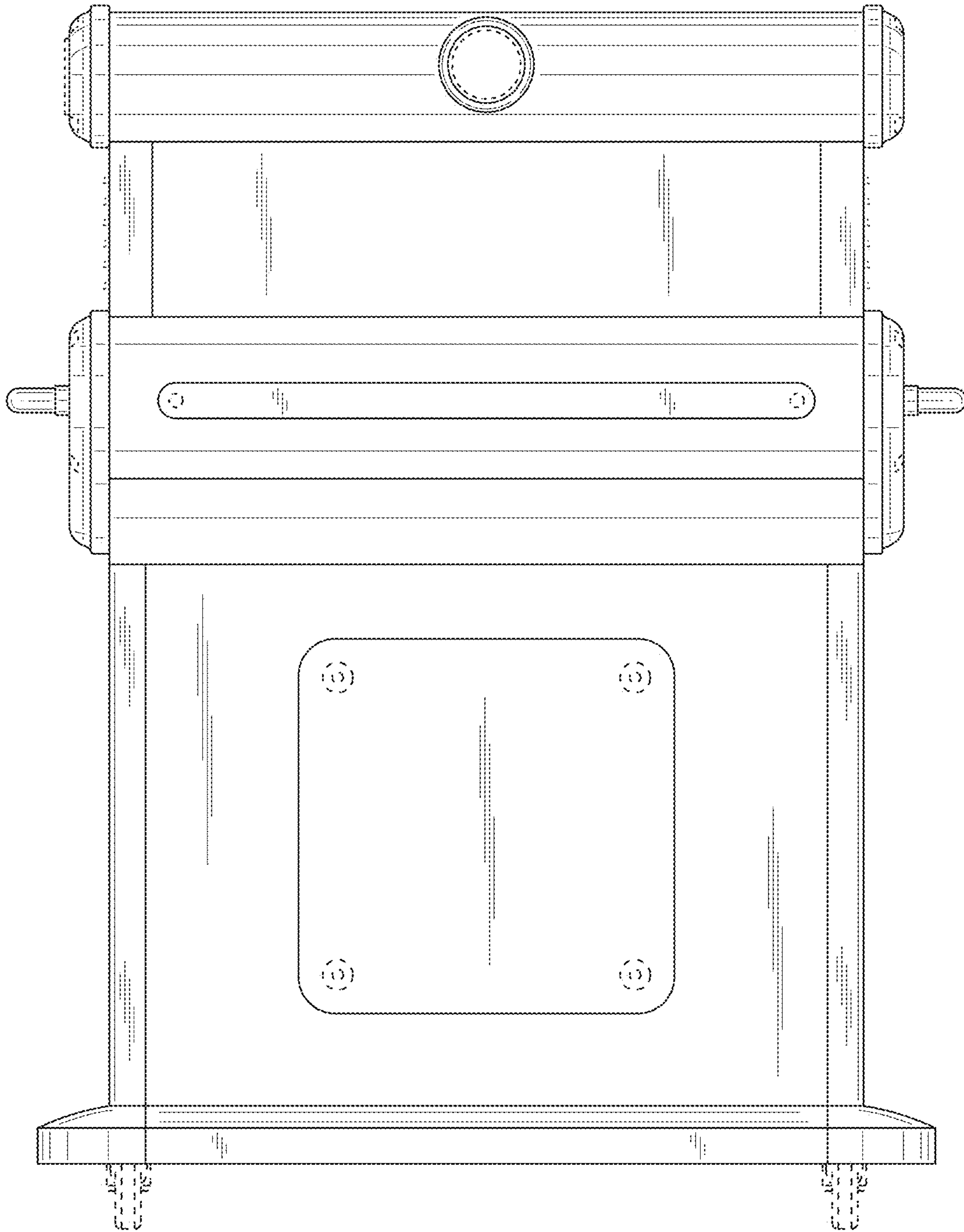


FIG. 3

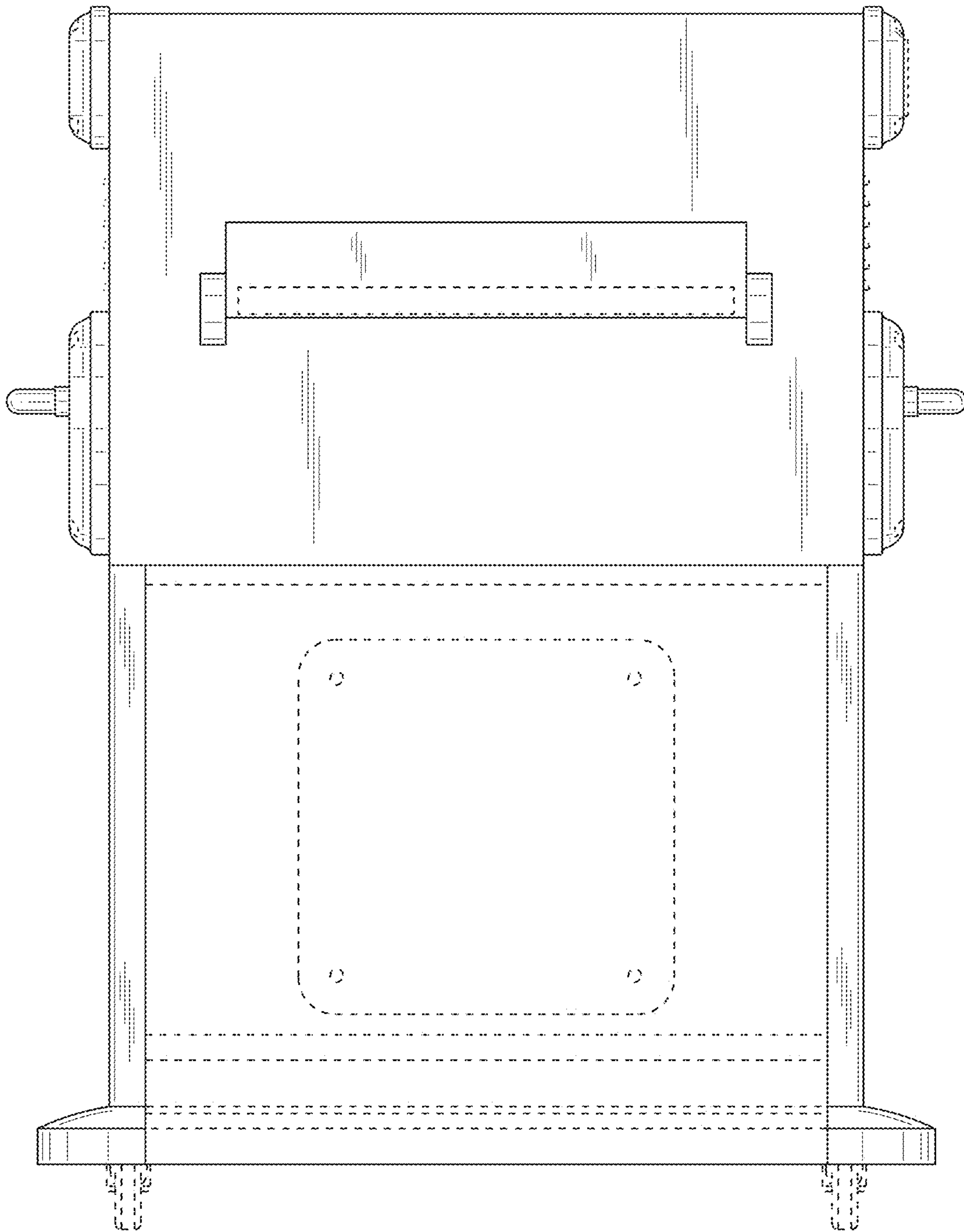


FIG. 4

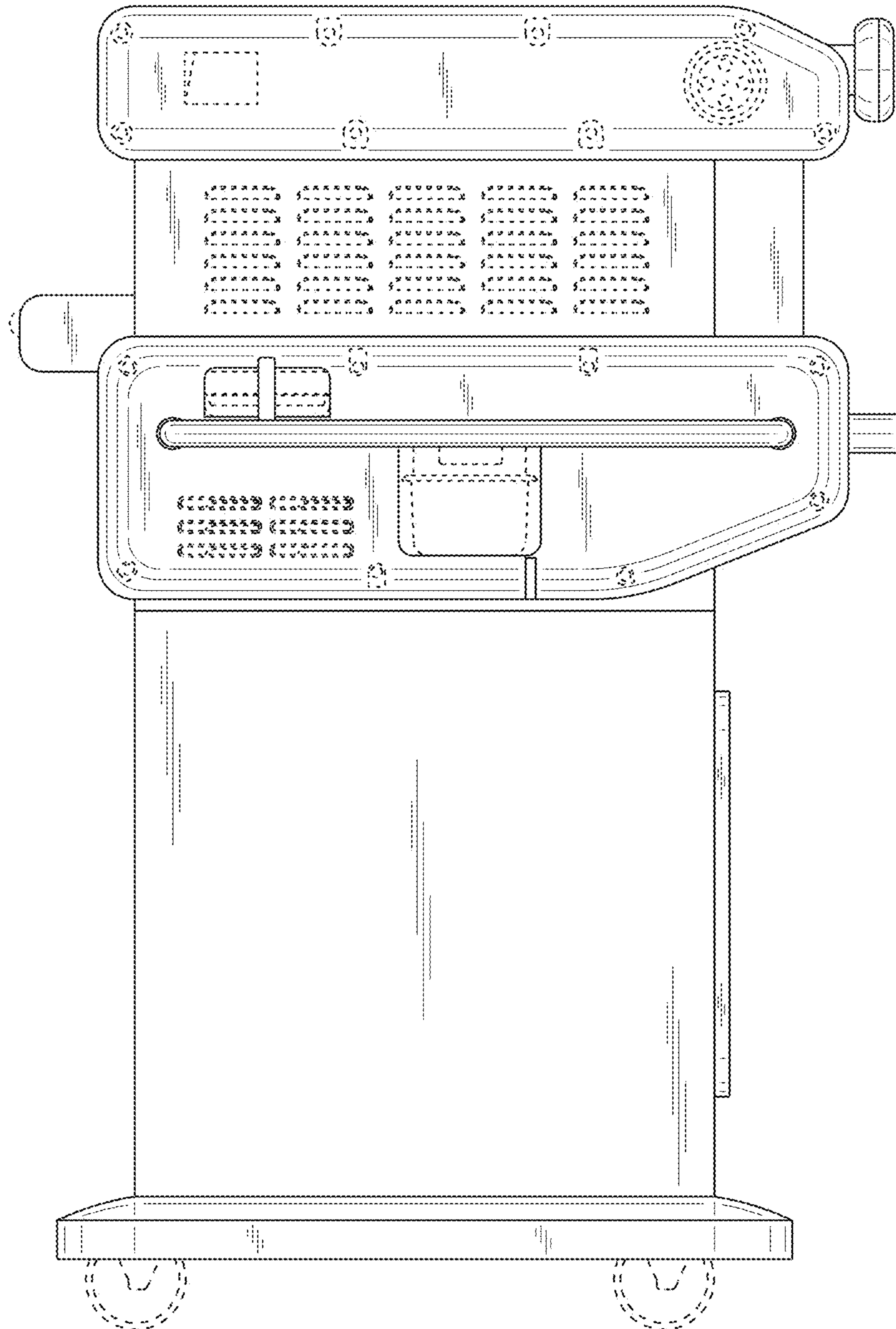


FIG. 5

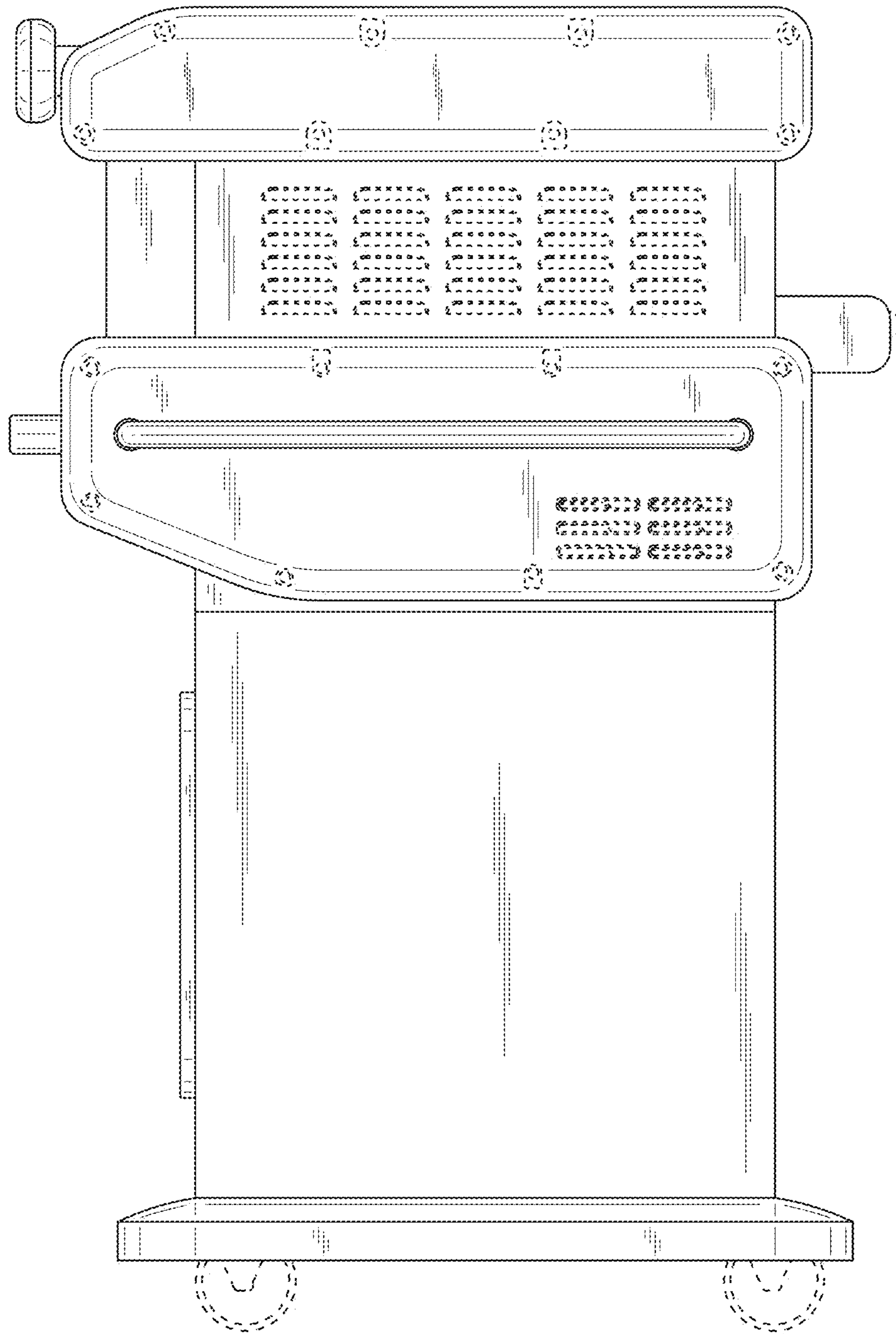


FIG. 6

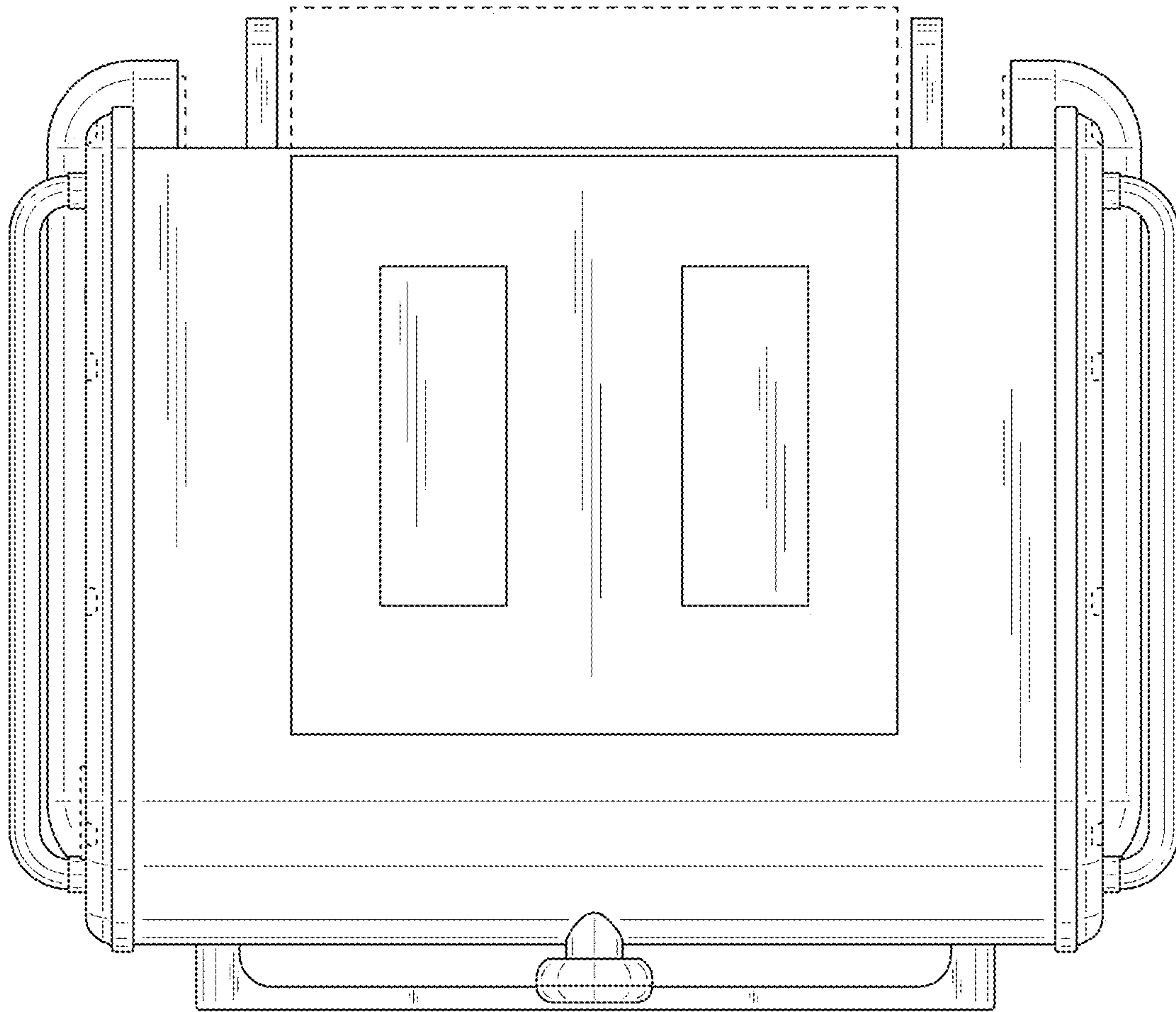


FIG. 7

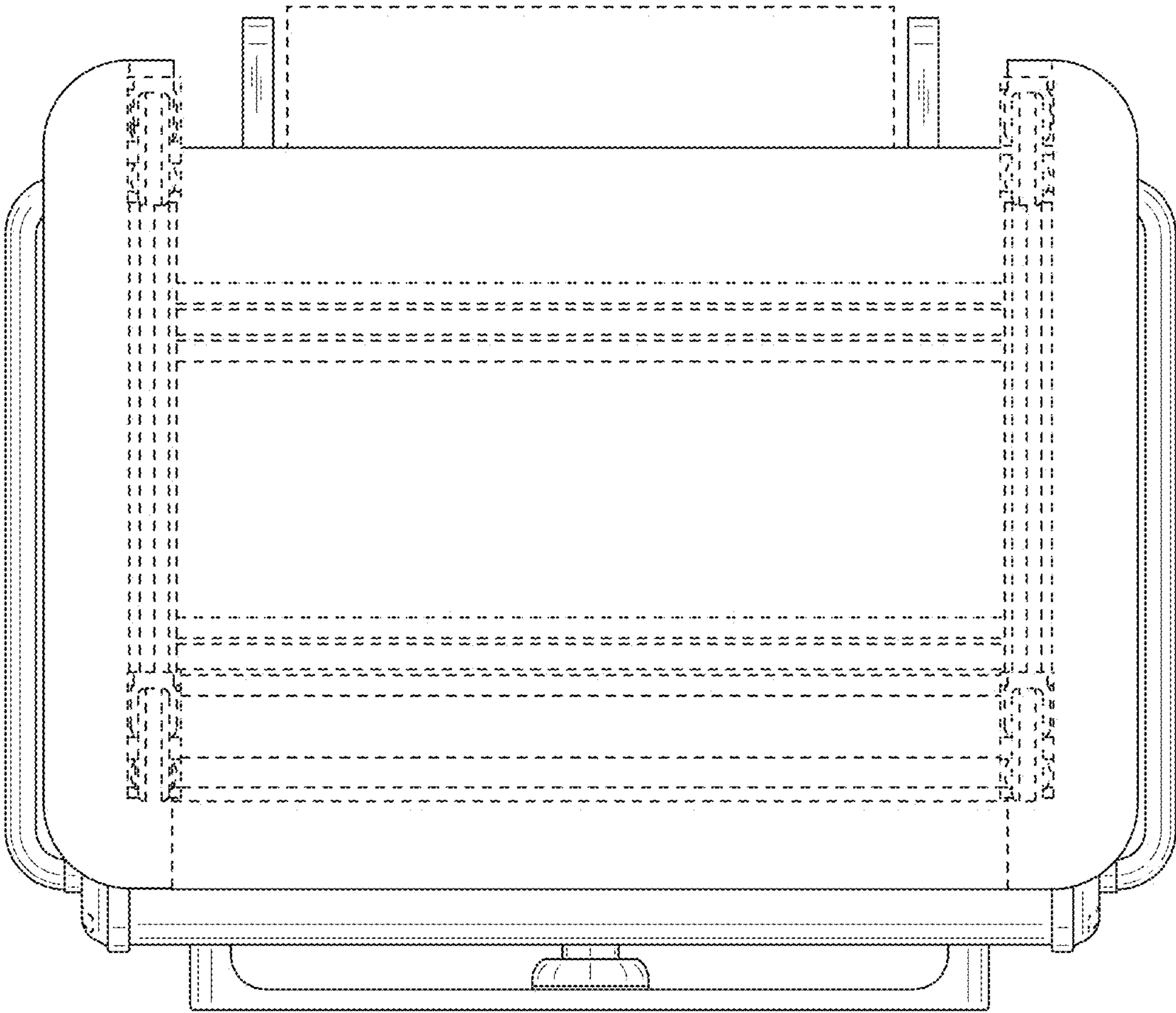


FIG. 8

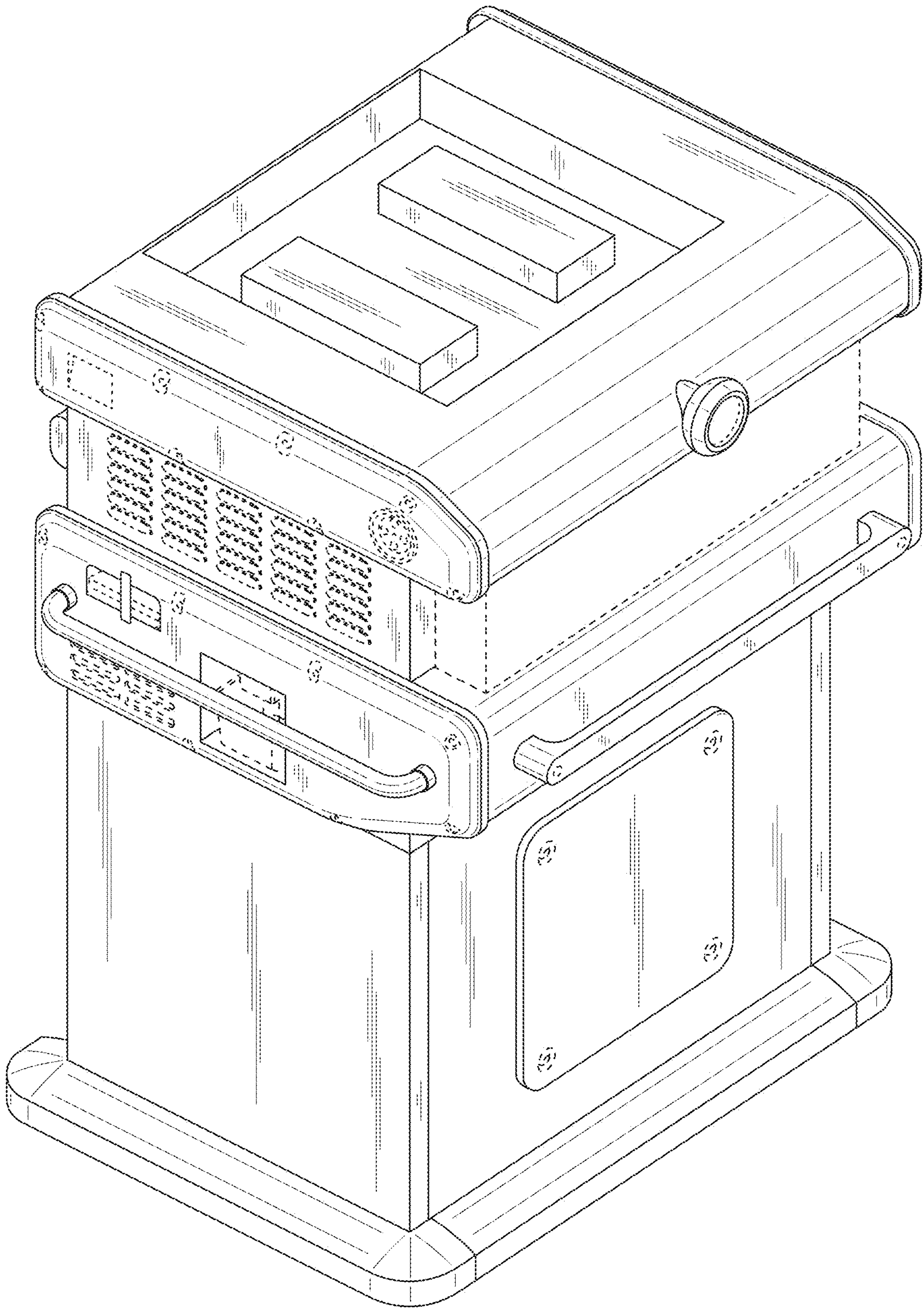


FIG. 9

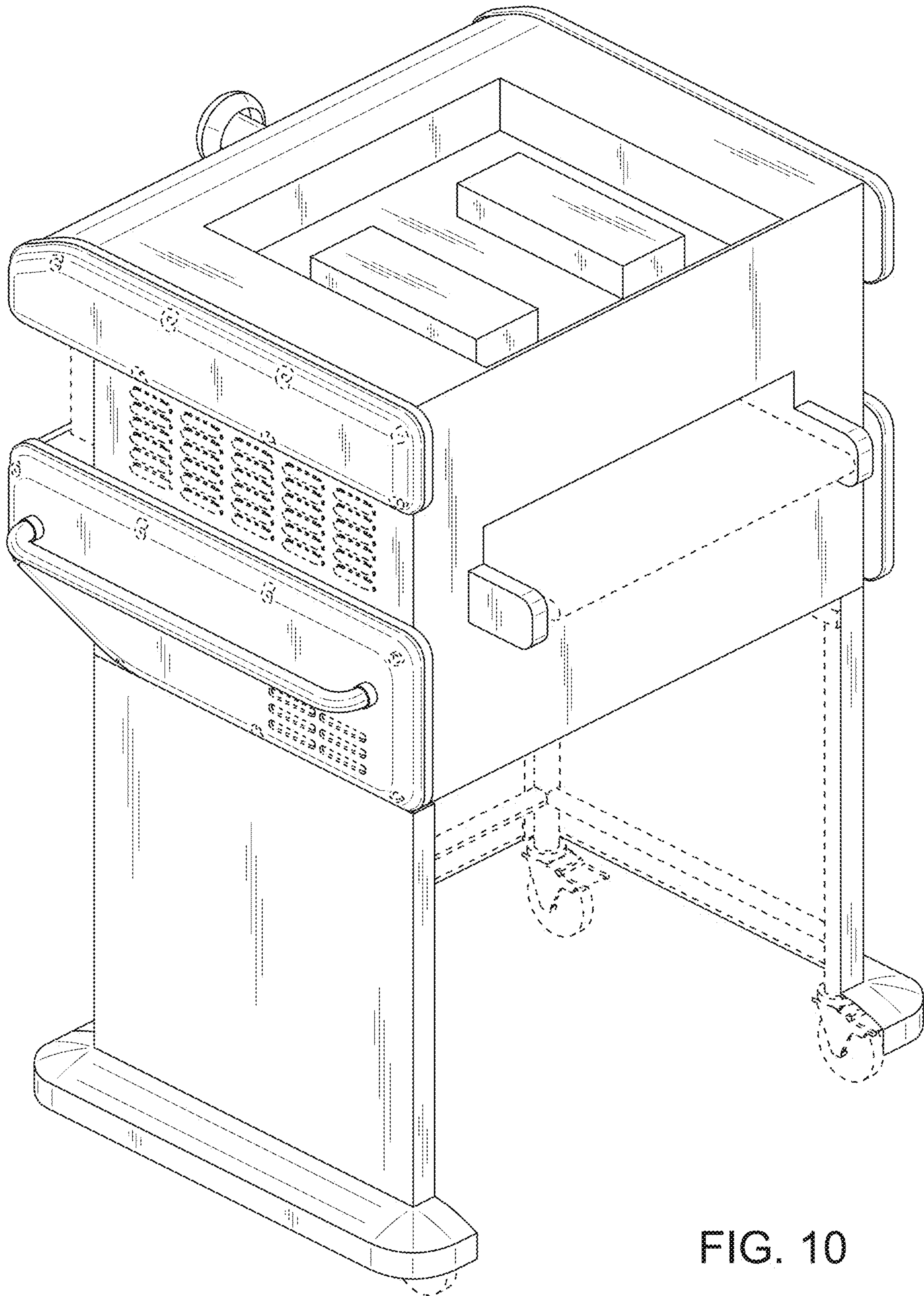


FIG. 10

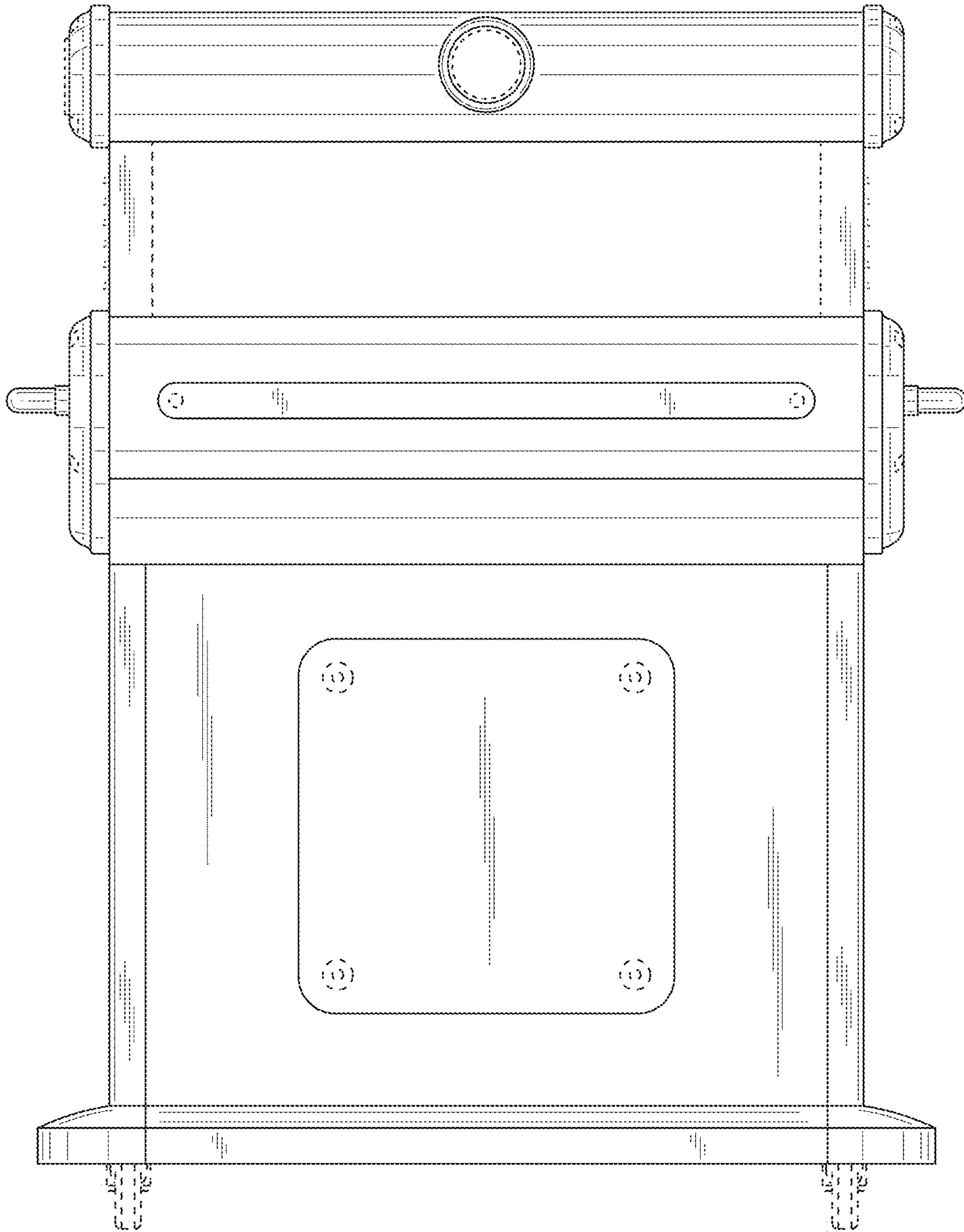


FIG. 11

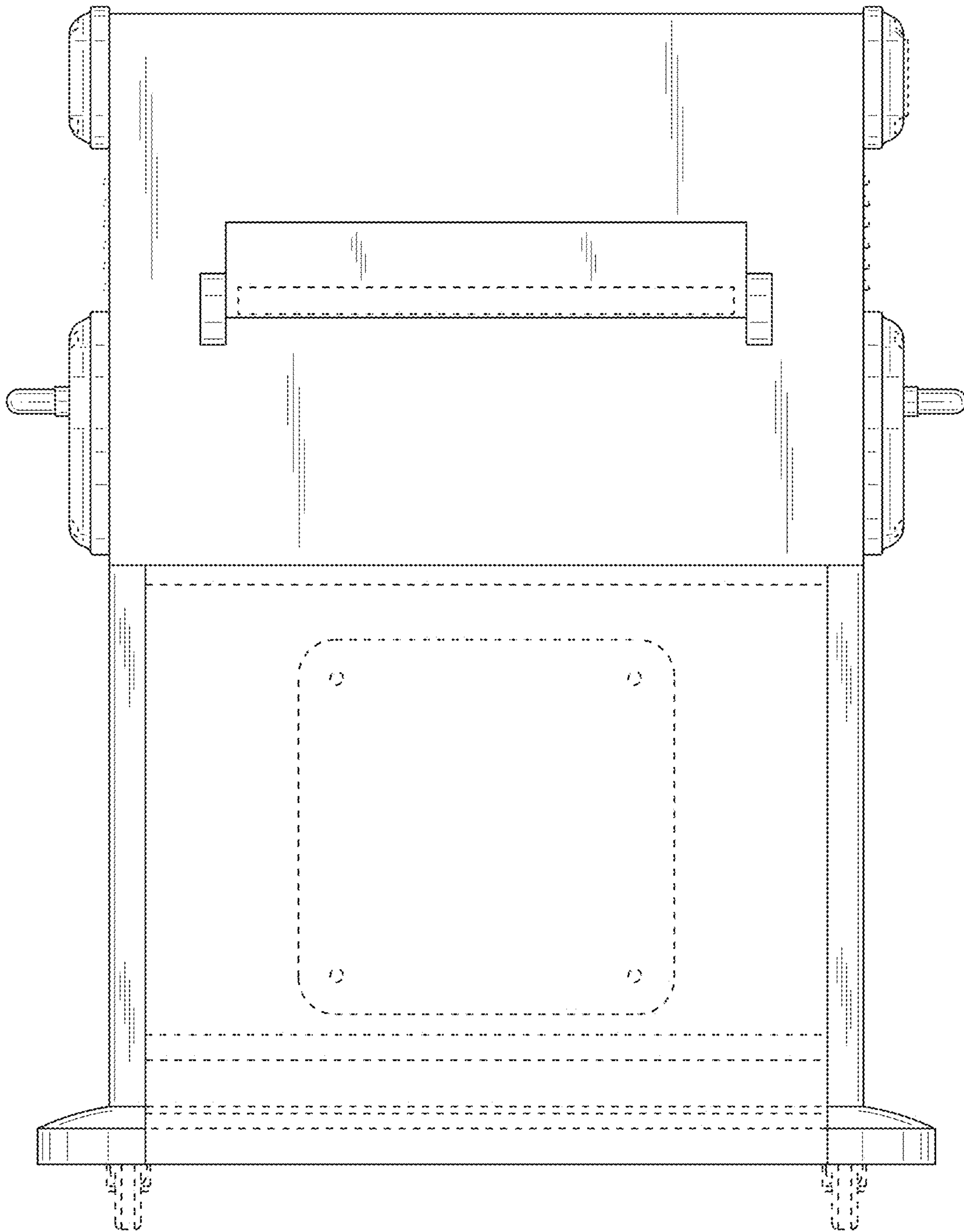


FIG. 12

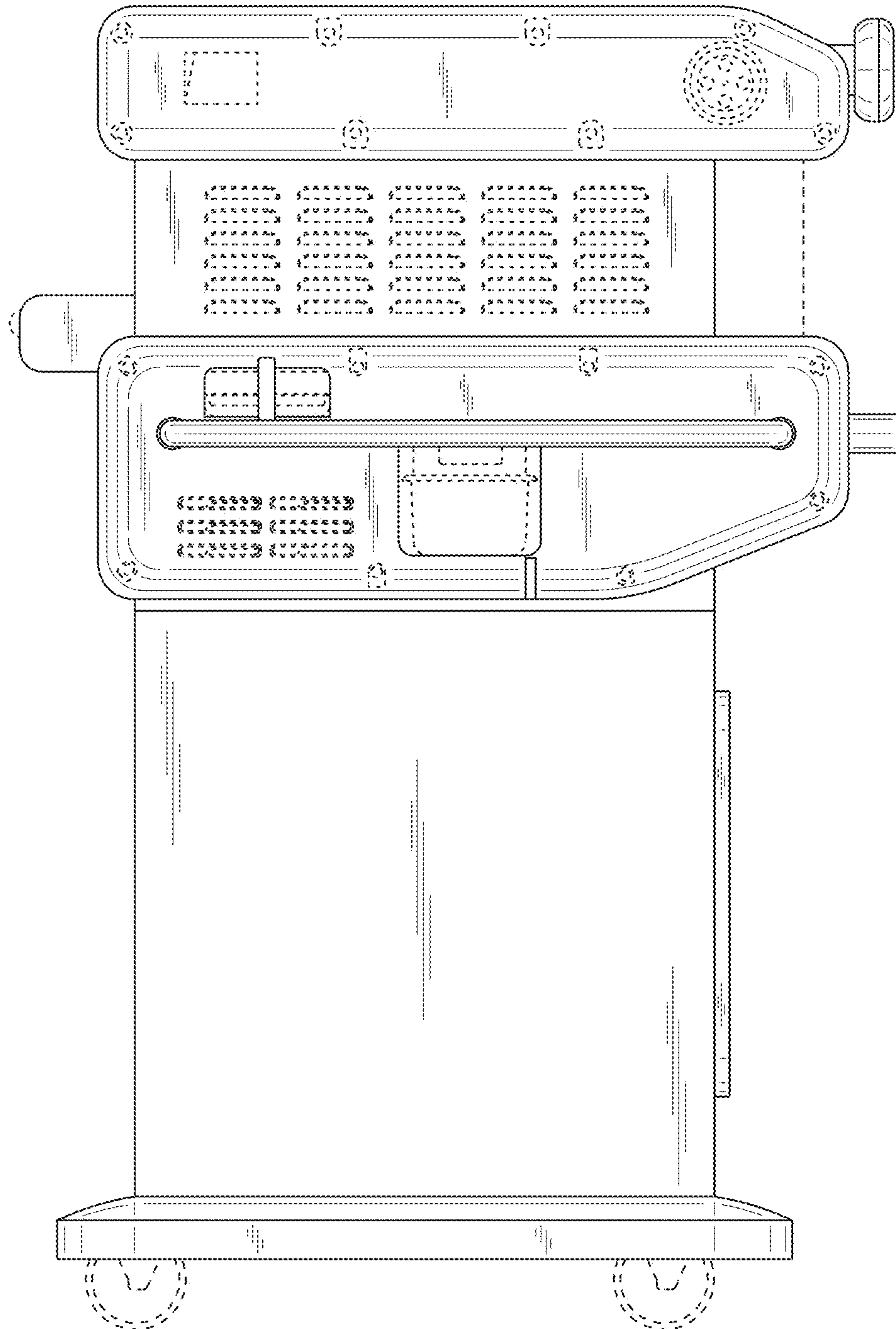


FIG. 13

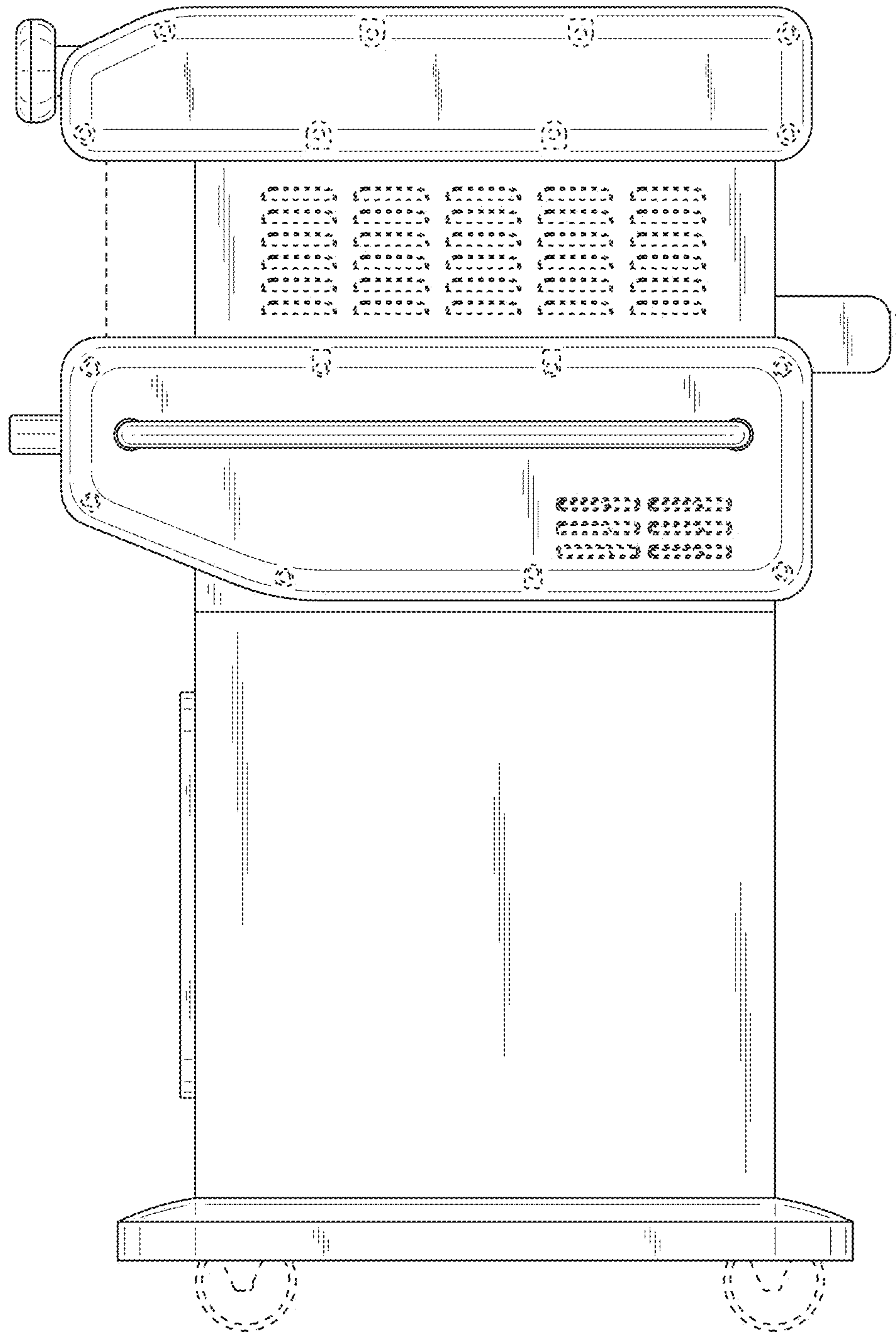


FIG. 14

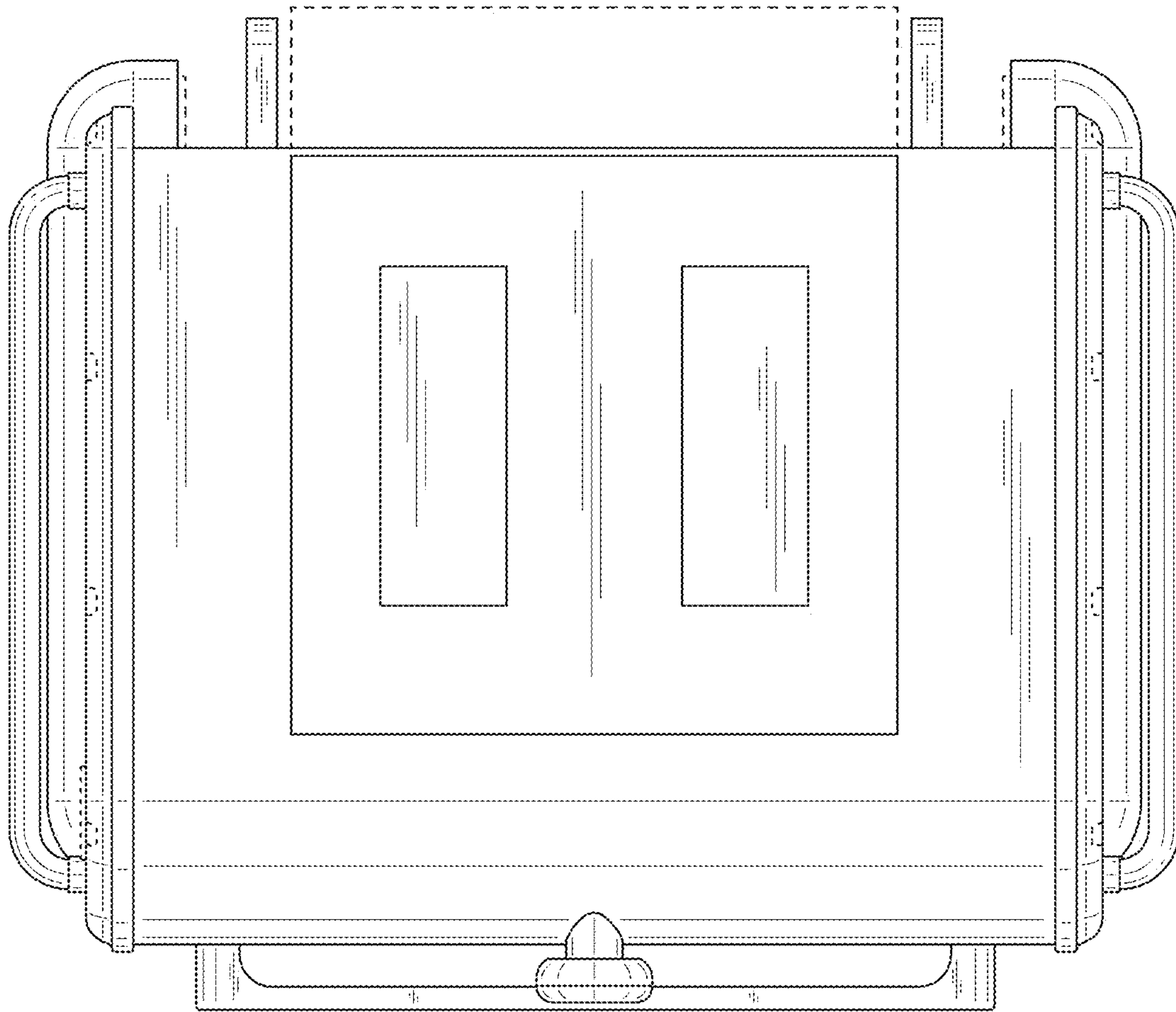


FIG. 15

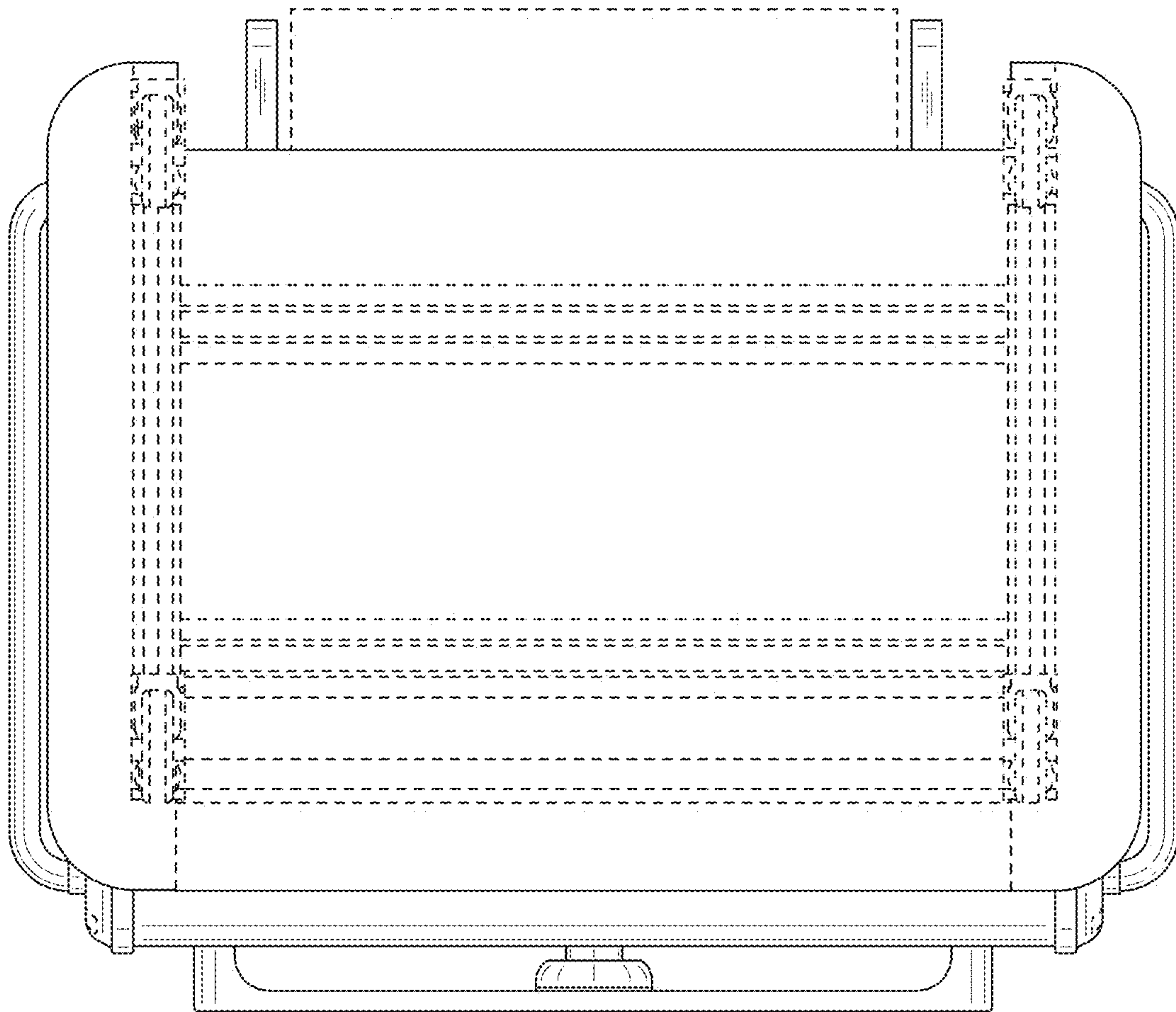


FIG. 16