



US00D886508S

(12) **United States Design Patent**  
**Soubra**

(10) **Patent No.:** **US D886,508 S**  
(45) **Date of Patent:** **\*\* Jun. 9, 2020**

(54) **PORTABLE BARBECUE**

(71) Applicant: **Mohammad Charif Soubra,**  
Amsterdam (NL)

(72) Inventor: **Mohammad Charif Soubra,**  
Amsterdam (NL)

(\*\*) Term: **15 Years**

(21) Appl. No.: **29/635,854**

(22) Filed: **Feb. 2, 2018**

(30) **Foreign Application Priority Data**

Aug. 3, 2017 (EM) ..... 004131977-0001  
Aug. 3, 2017 (EM) ..... 004131977-0002  
Aug. 3, 2017 (EM) ..... 004131977-0003  
Aug. 3, 2017 (EM) ..... 004131977-0004

(51) **LOC (12) Cl.** ..... **07-02**

(52) **U.S. Cl.**  
USPC ..... **D7/337**

(58) **Field of Classification Search**  
USPC ..... D7/332-337, 352-356, 358, 362-364,  
D7/366; 126/25 R  
CPC ..... A47J 33/00; A47J 37/07; A47J 37/0704;  
A47J 37/0713; A47J 37/0763; A47J  
37/0786; A47J 2037/0777; F24C 3/14;  
F24B 1/202

See application file for complete search history.

(56) **References Cited**

**U.S. PATENT DOCUMENTS**

D169,430 S \* 4/1953 Fader ..... D7/337  
D184,450 S \* 2/1959 Morton ..... D7/337  
D187,318 S \* 2/1960 Jones ..... D7/332  
D766,410 S \* 9/2016 Miller ..... D23/343

D807,104 S \* 1/2018 Taylor ..... D7/334  
D818,302 S \* 5/2018 Magee ..... D7/337  
2011/0146656 A1\* 6/2011 Paap ..... A47J 37/0704  
126/25 R

**OTHER PUBLICATIONS**

UNA Grill, UNA Grill: the portable charcoal grill to carry any-  
where, Jun. 9, 2017, YouTube, [https://www.youtube.com/watch?v=L\\_Lu6LfRams](https://www.youtube.com/watch?v=L_Lu6LfRams) (Year: 2017).\*

\* cited by examiner

*Primary Examiner* — Brett Miller

(74) *Attorney, Agent, or Firm* — Troutman Sanders LLP;  
Ryan Schneider; Dustin Weeks

(57) **CLAIM**

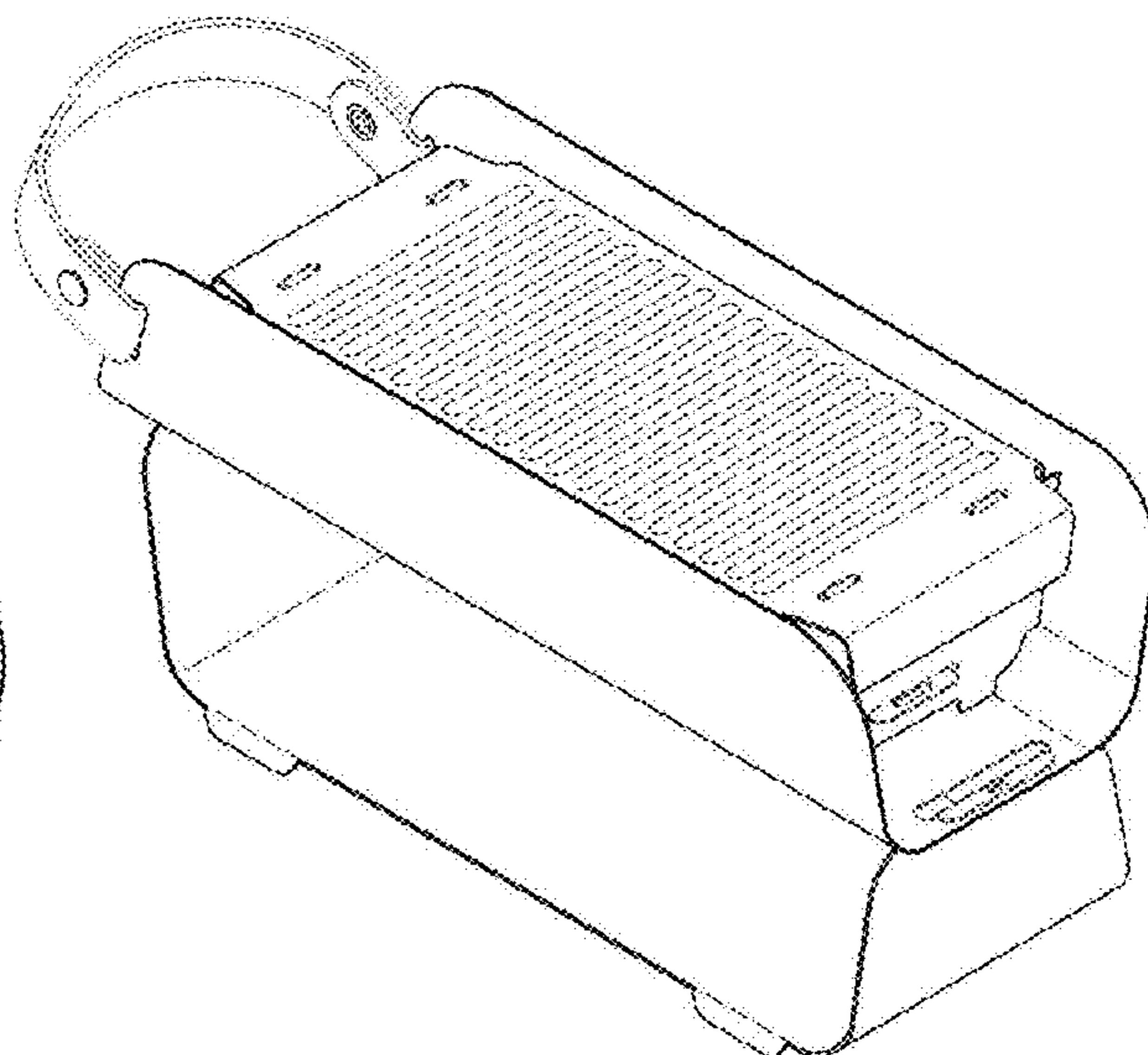
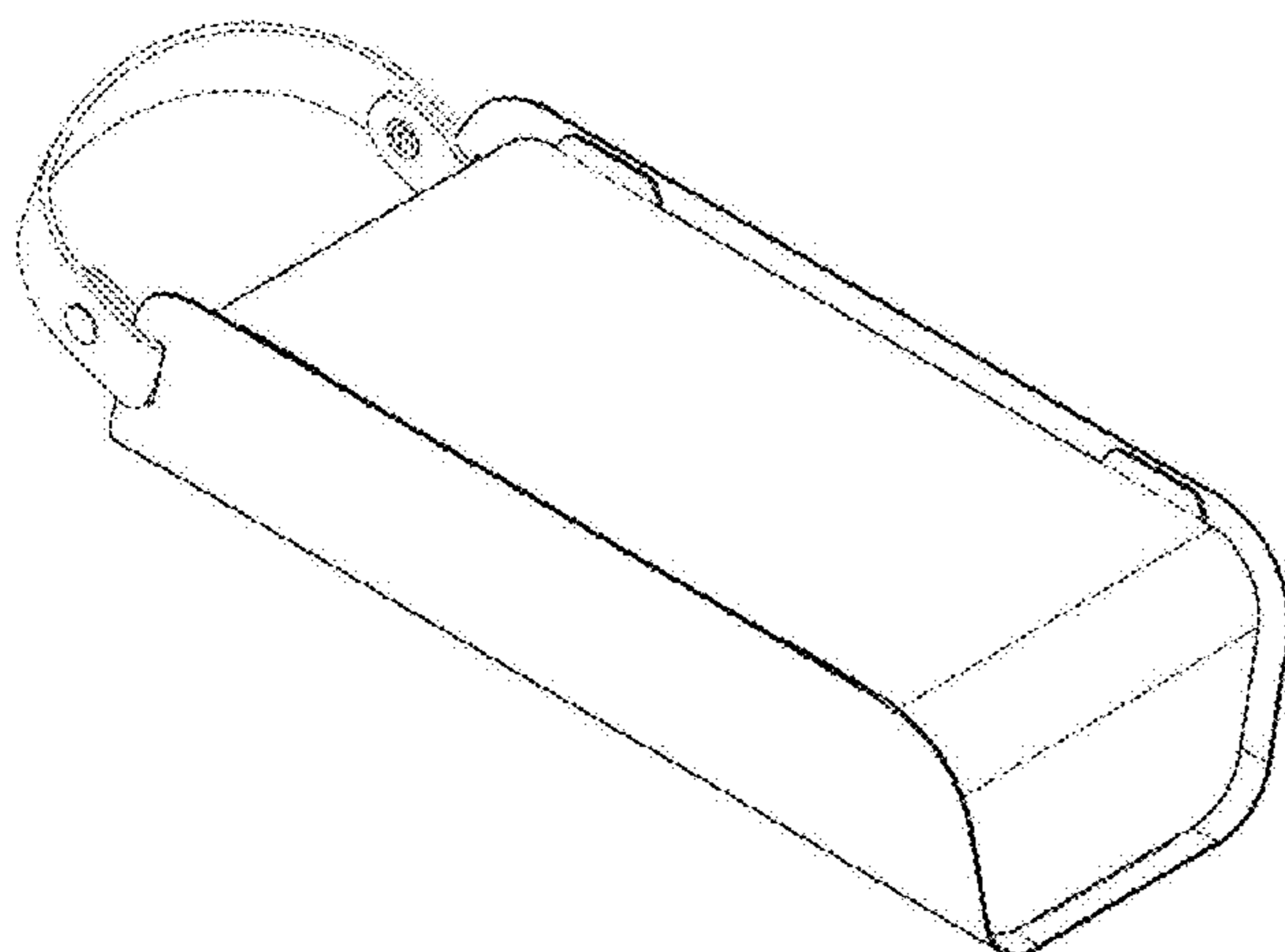
The ornamental design for a portable barbecue, as shown  
and described.

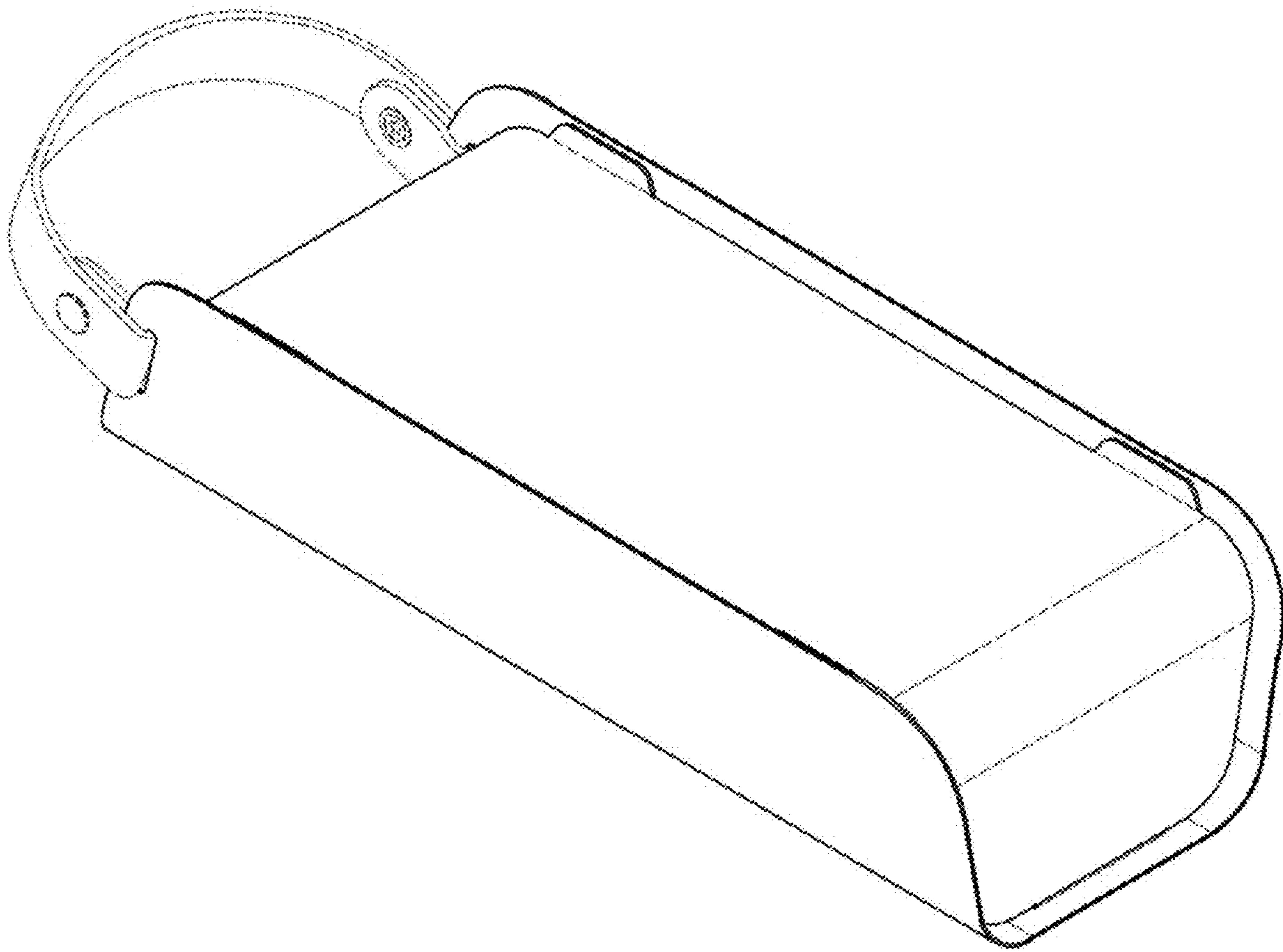
**DESCRIPTION**

FIG. 1 is a perspective view of portable barbecue of the  
present invention in a closed configuration;  
FIG. 2 is a front elevation view thereof;  
FIG. 3 is a rear elevation view thereof;  
FIG. 4 is a side elevation view thereof;  
FIG. 5 is a top plan view thereof; and  
FIG. 6 is a bottom plan view thereof;  
FIG. 7 is a perspective view of portable barbecue of FIG. 1  
in an open configuration;  
FIG. 8 is a front elevation view thereof;  
FIG. 9 is a rear elevation view thereof;  
FIG. 10 is a side elevation view thereof;  
FIG. 11 is a top plan view thereof; and  
FIG. 12 is a bottom plan view thereof.

The broken lines depict portions of the portable barbecue  
that form no part of the claimed design.

**1 Claim, 12 Drawing Sheets**





**FIG. 1**



**FIG. 2**



**FIG. 3**

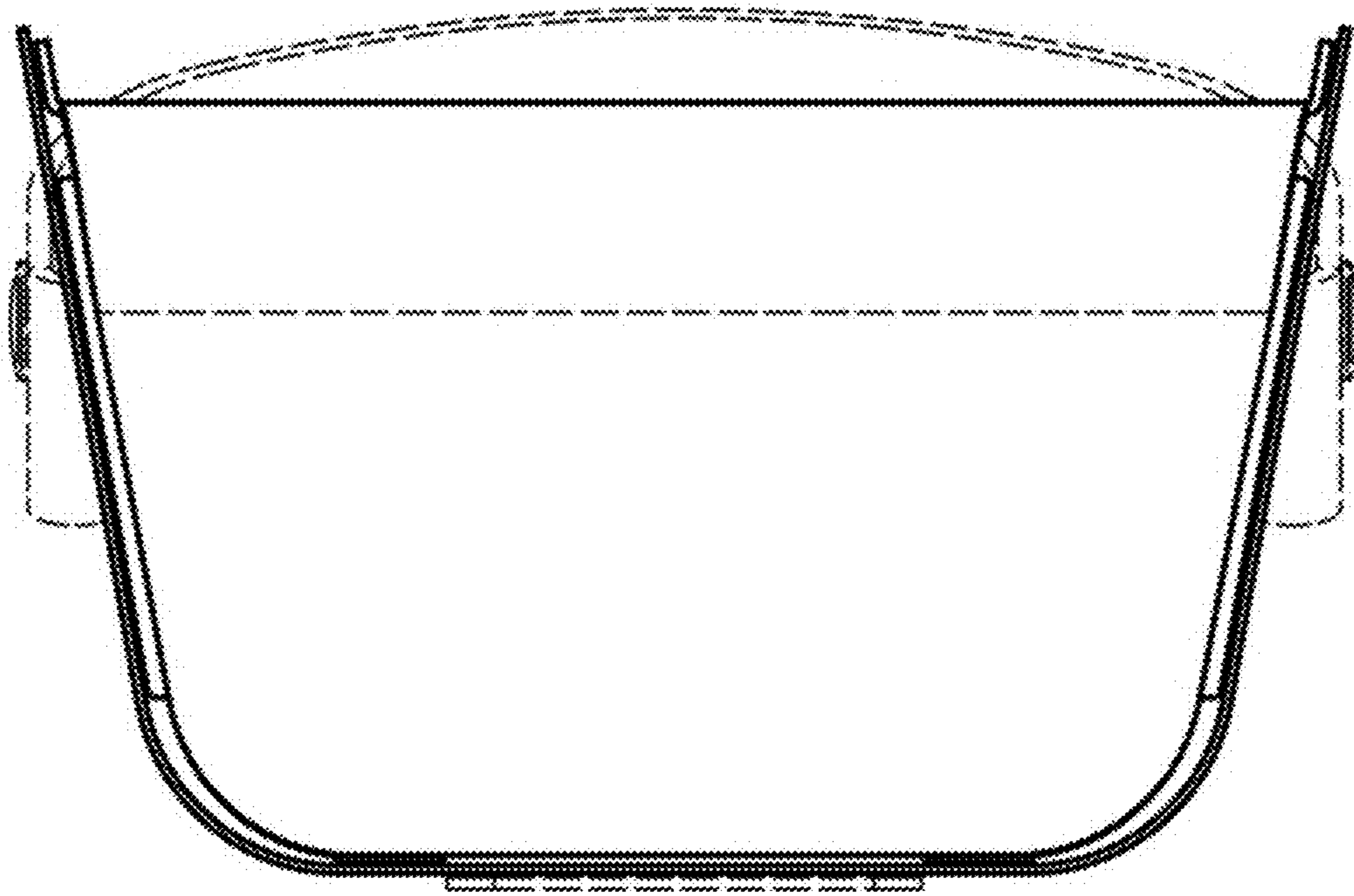


FIG. 4

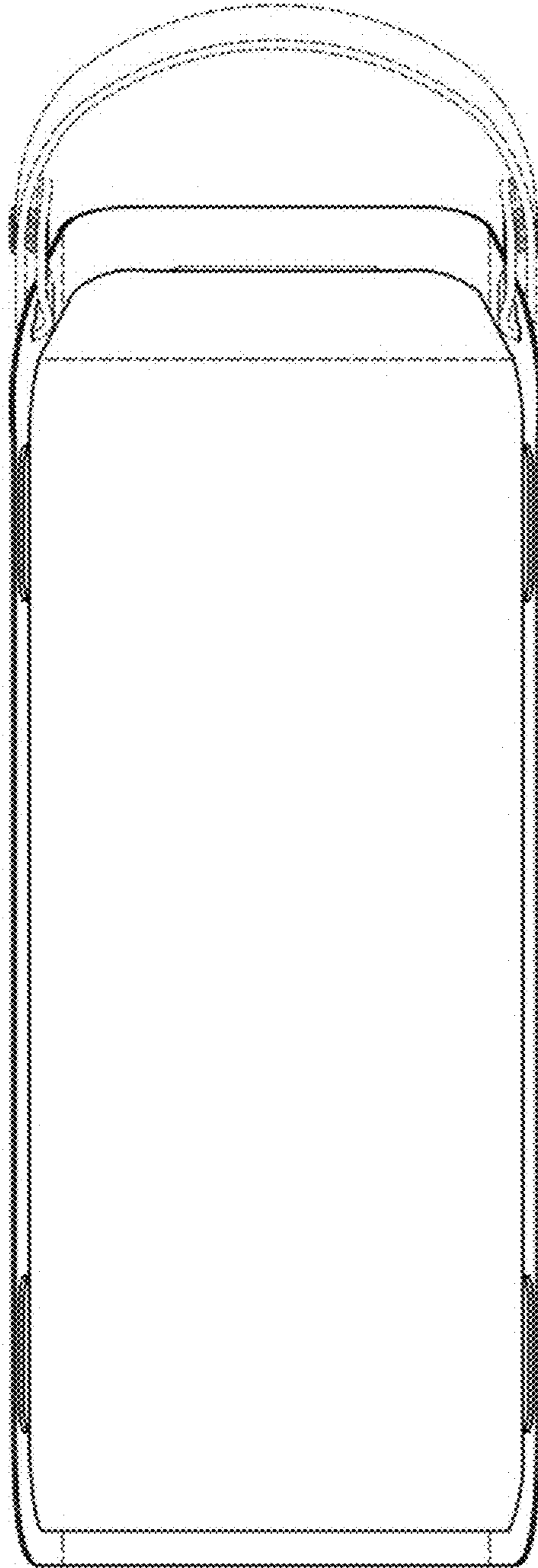


FIG. 5

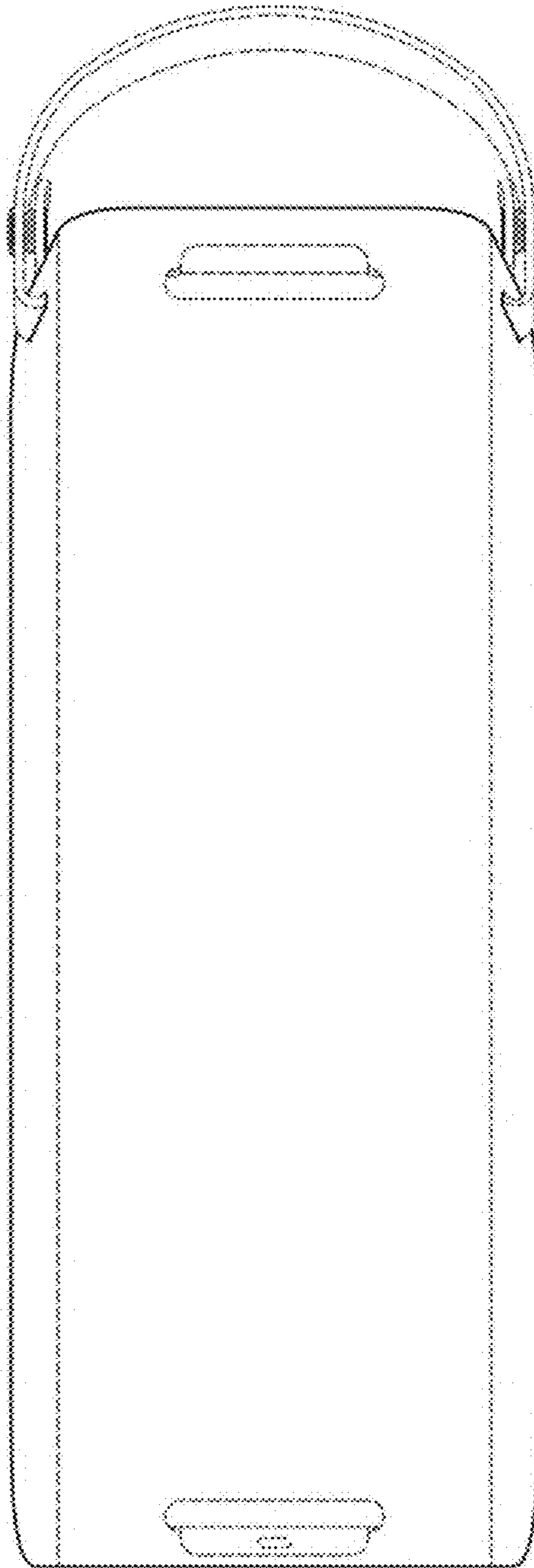


FIG. 6

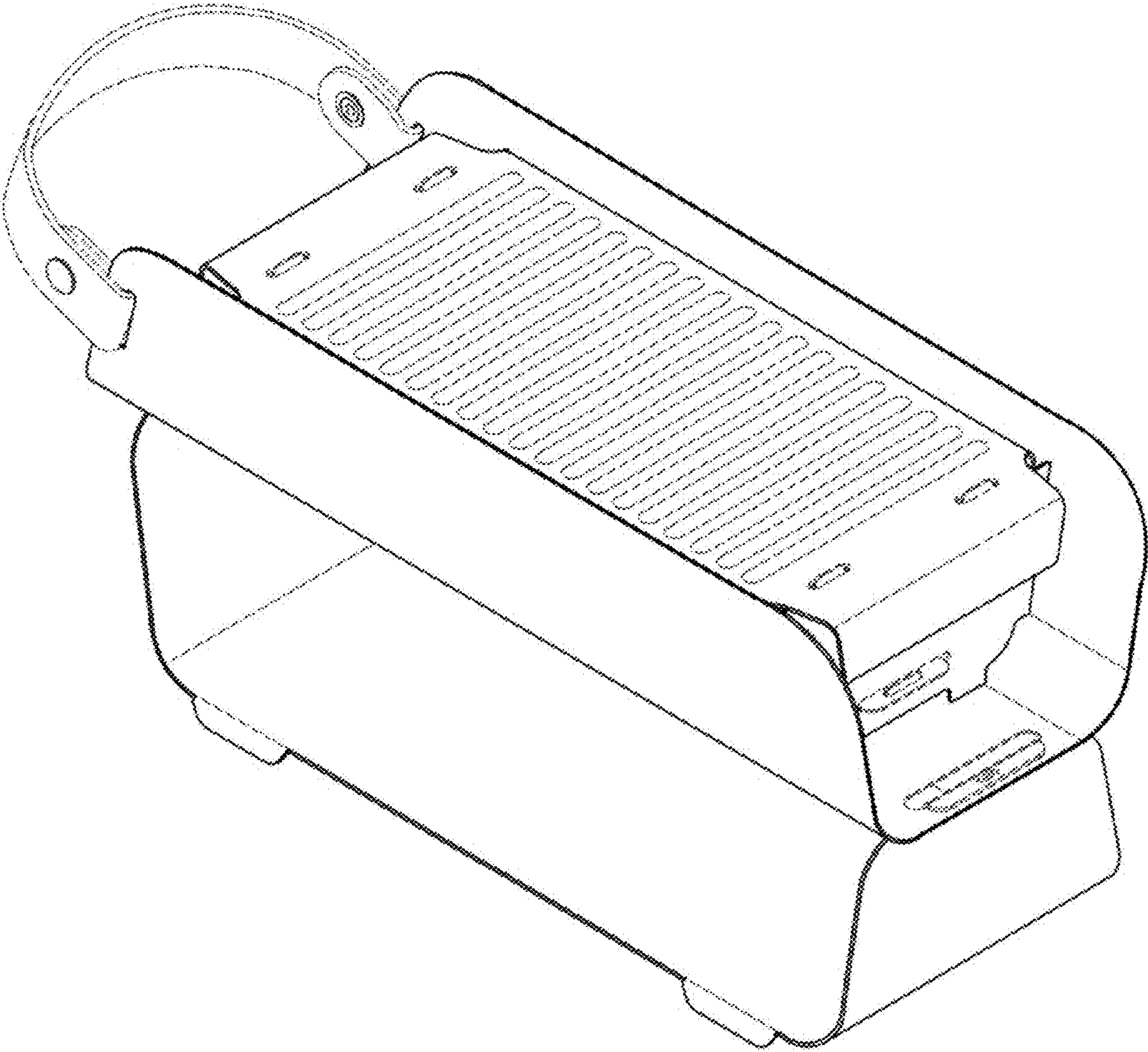


FIG. 7



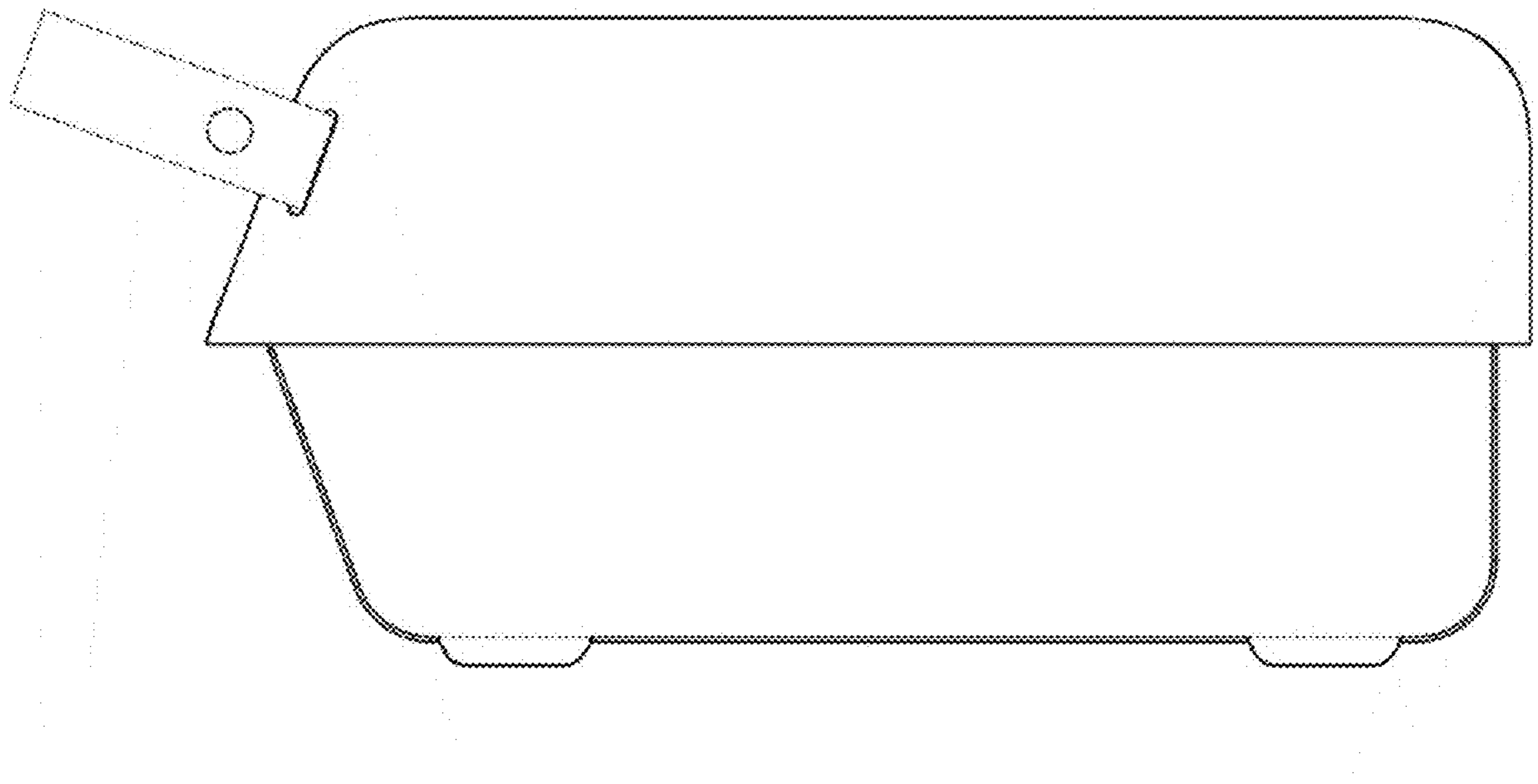


FIG. 8

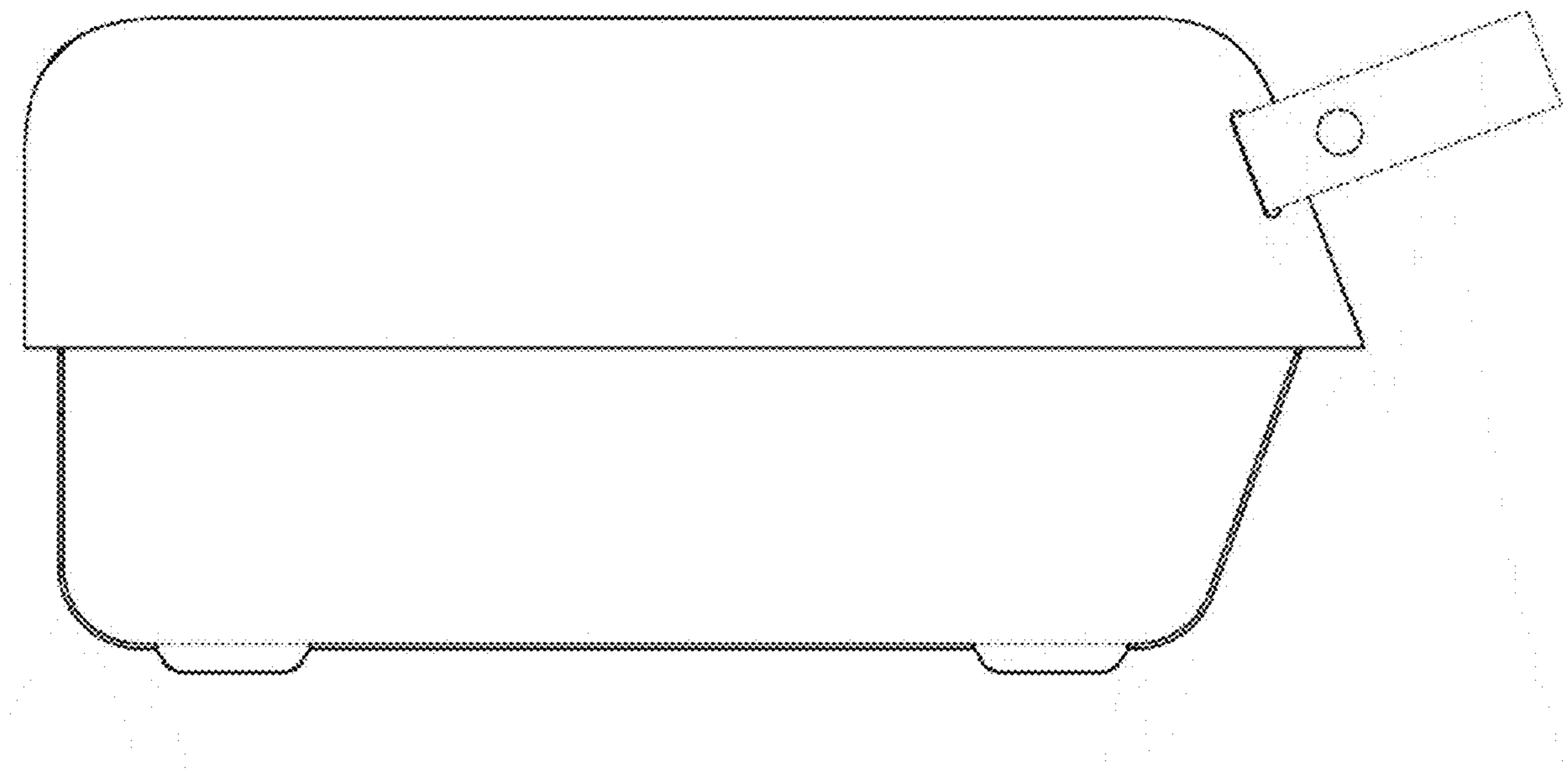


FIG. 9

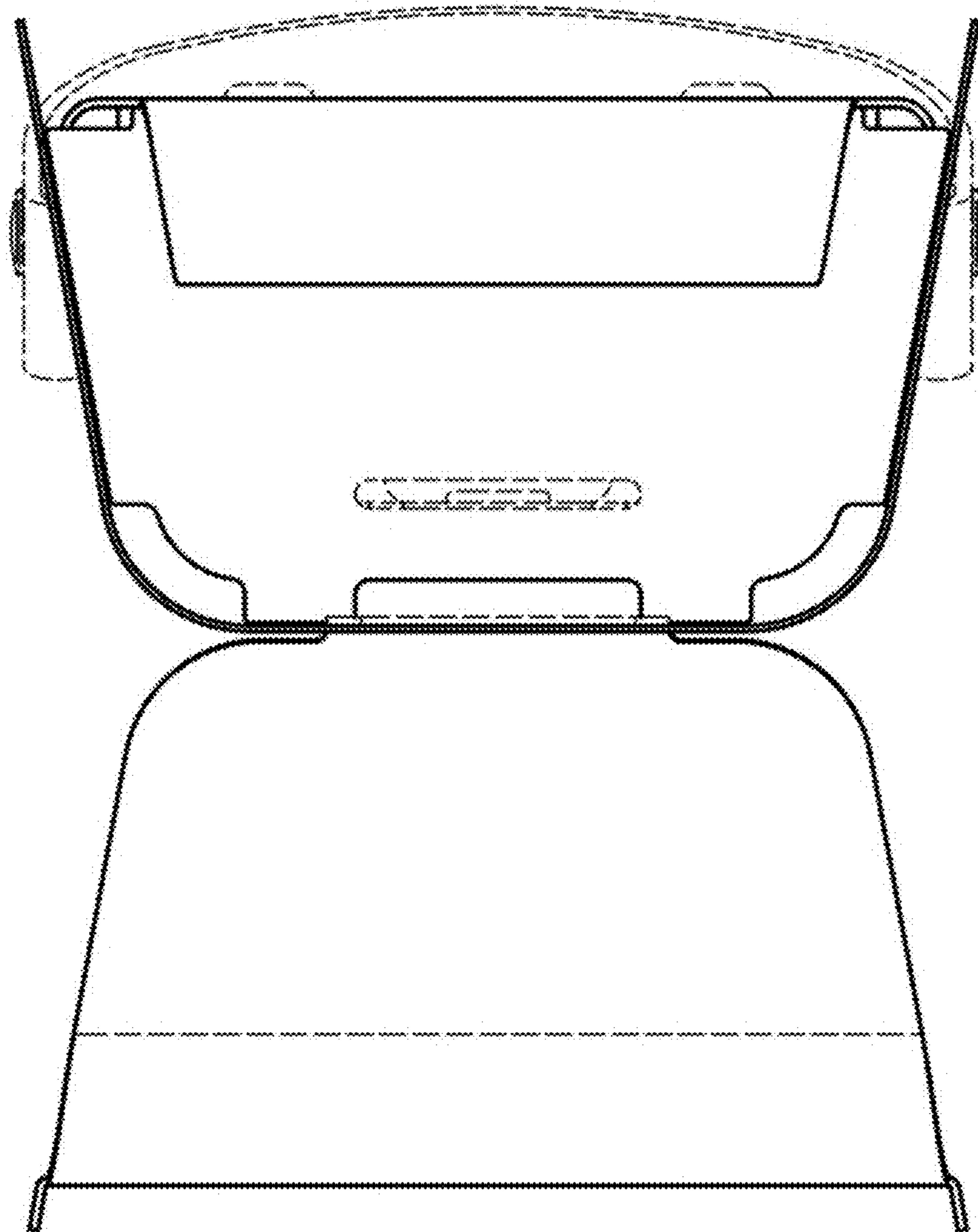


FIG. 10

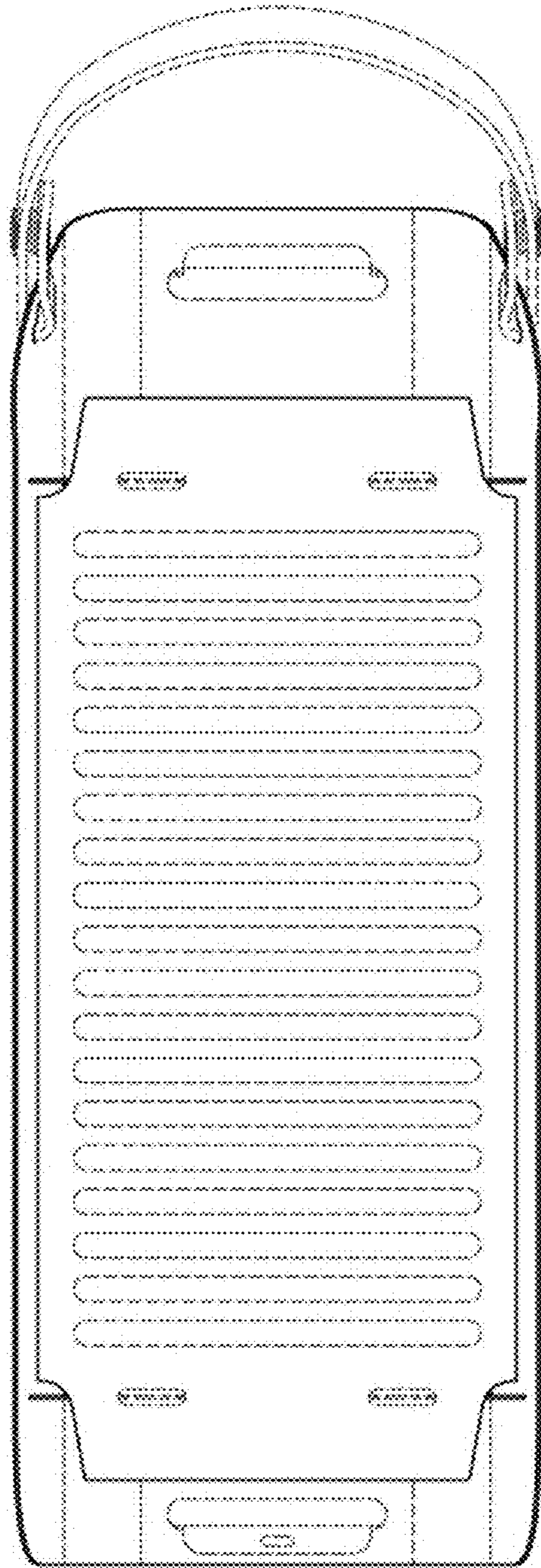


FIG. 11

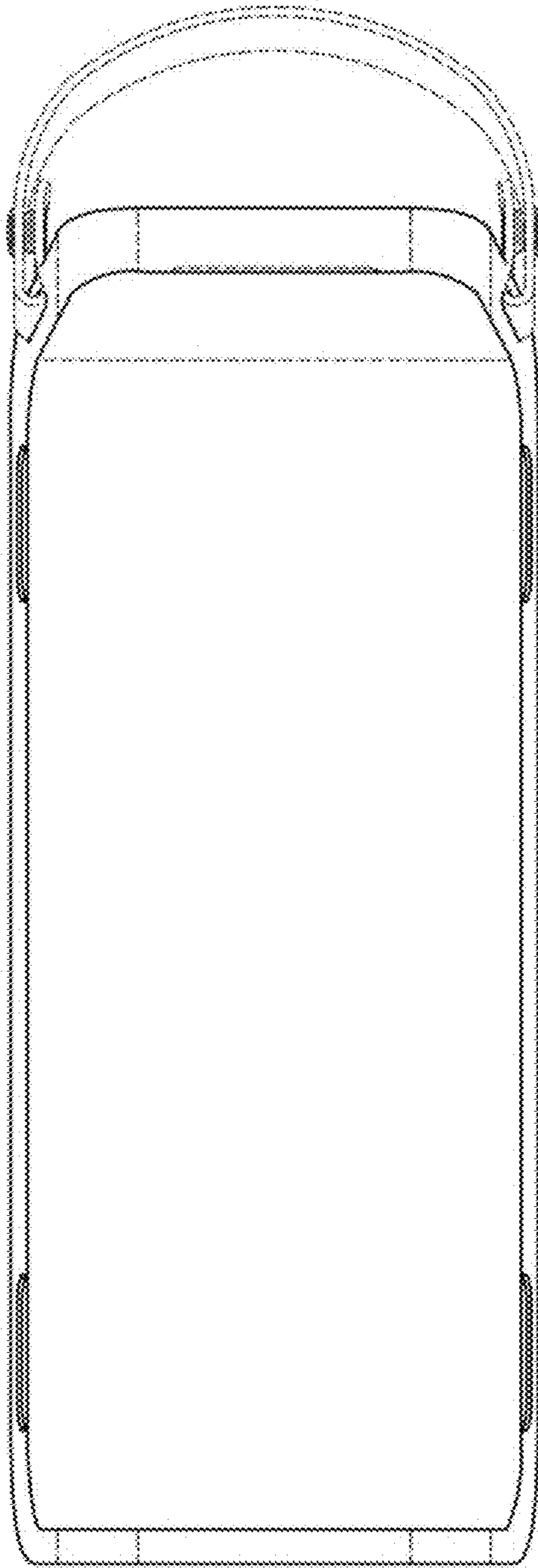


FIG. 12