



US00D886507S

(12) **United States Design Patent** (10) **Patent No.:** **US D886,507 S**
Adamski et al. (45) **Date of Patent:** **** Jun. 9, 2020**

(54) **COOKING APPARATUS UNIT**
(71) Applicant: **The Magnum Barbecue Company, LLC**, Littleton, CO (US)
(72) Inventors: **Joseph R. Adamski**, Van Nuys, CA (US); **Steven Lee Simonson**, Littleton, CO (US)
(**) Term: **15 Years**
(21) Appl. No.: **29/654,493**
(22) Filed: **Jun. 25, 2018**
(51) **LOC (12) Cl.** **07-02**
(52) **U.S. Cl.**
USPC **D7/332**
(58) **Field of Classification Search**
USPC D7/332-337, 402-409, 339, 348, 347, D7/323; 126/25 R; D23/343, 348
CPC A47J 37/07-0786; A47J 33/00; A47J 2037/0777; A47J 2037/0795; A47J 37/0658; A47J 37/0623; A23B 4/044-056; F24B 1/202-205
See application file for complete search history.

D570,151 S * 6/2008 Brunner D7/334
D570,641 S * 6/2008 Brunner D7/334
D656,773 S * 4/2012 May D7/334
D685,601 S * 7/2013 Morabito D7/337
D702,987 S * 4/2014 Gillespie D7/334
D809,846 S * 2/2018 Legras D7/332
D811,153 S * 2/2018 Mansueto D7/334
2008/0257334 A1* 10/2008 Brunner A47J 37/0713
126/39 R
2010/0275898 A1* 11/2010 Jansson A47J 37/0704
126/25 R
2016/0255999 A1* 9/2016 McAdams F24B 1/19
* cited by examiner

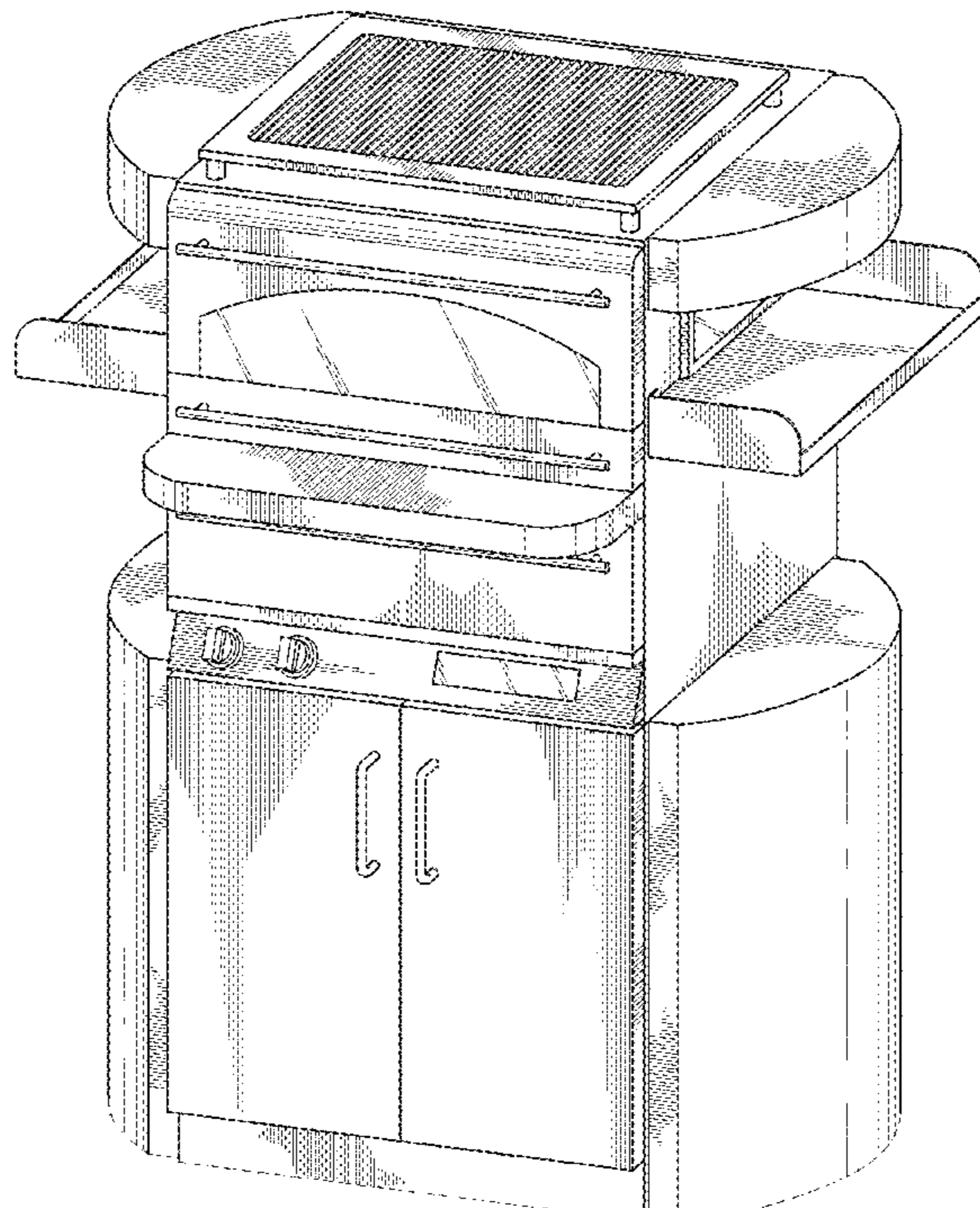
Primary Examiner — Brett Miller
(74) *Attorney, Agent, or Firm* — Brooks Acordia IP Law, PC; Pejman Yedidsion

(57) **CLAIM**
We claim the ornamental design for a cooking apparatus unit, substantially as shown and described.

DESCRIPTION
FIG. 1 is a front perspective view of an embodiment of a cooking apparatus unit showing our new design; FIG. 2 is a front elevational view thereof; FIG. 3 is rear elevational view thereof; FIG. 4 is a left side elevational view thereof; FIG. 5 is a right side elevational view thereof; FIG. 6 is a top plan view thereof; and, FIG. 7 is a bottom plan view thereof.
The dotted line showings in the drawings are for the purpose of illustrating environmental structure and form no part of the claimed design.

1 Claim, 6 Drawing Sheets

(56) **References Cited**
U.S. PATENT DOCUMENTS
D158,989 S * 6/1950 McNaughton D7/337
2,806,463 A * 9/1957 Smith A47J 37/0704
126/25 A
D184,876 S * 4/1959 Joseph D7/332
D370,591 S * 6/1996 Maddox D7/334
D437,176 S * 2/2001 Bullard D7/334
D489,222 S * 5/2004 Pai D7/334
D533,009 S * 12/2006 Pai D7/334



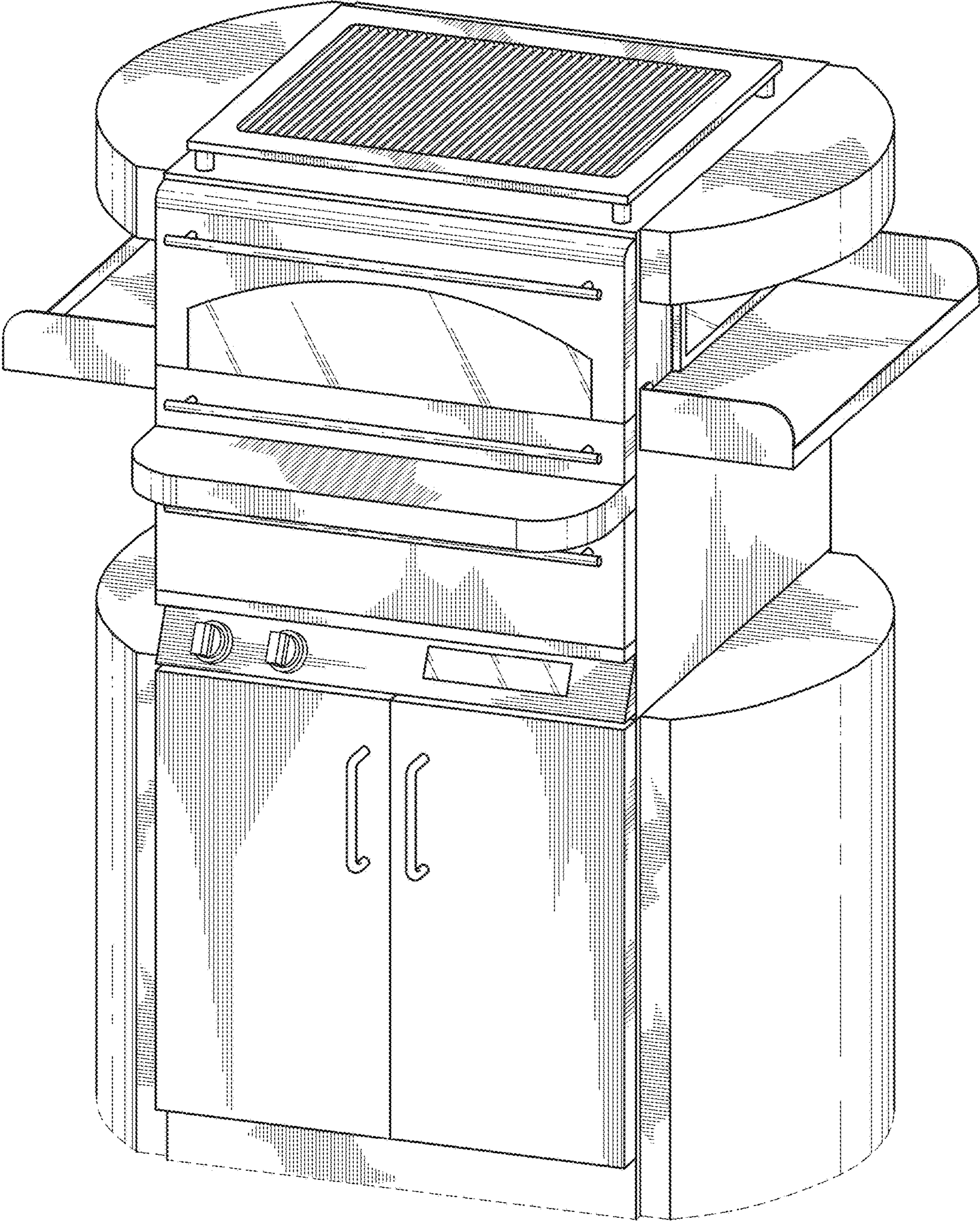


FIG. 1

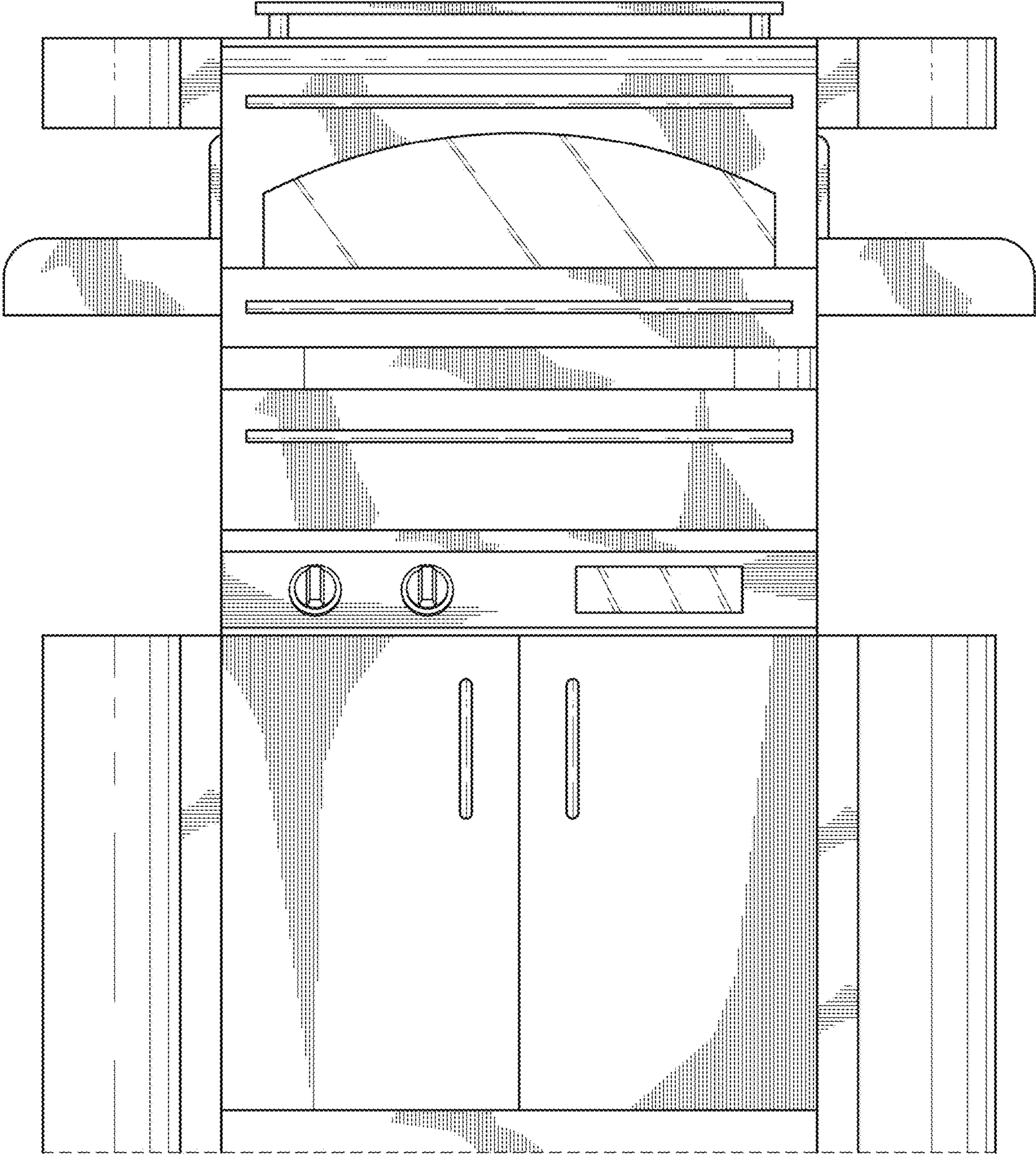


FIG. 2

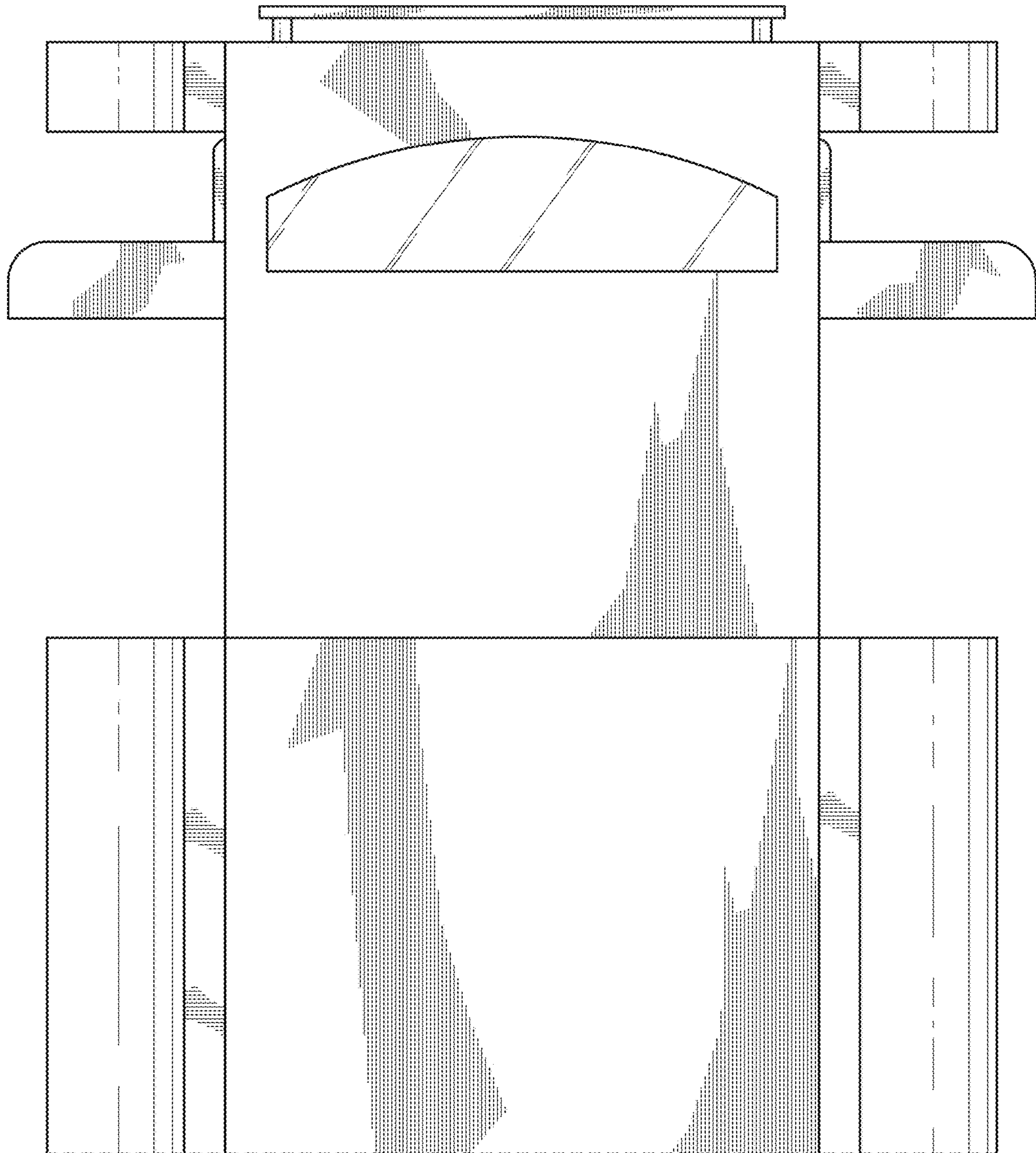


FIG. 3

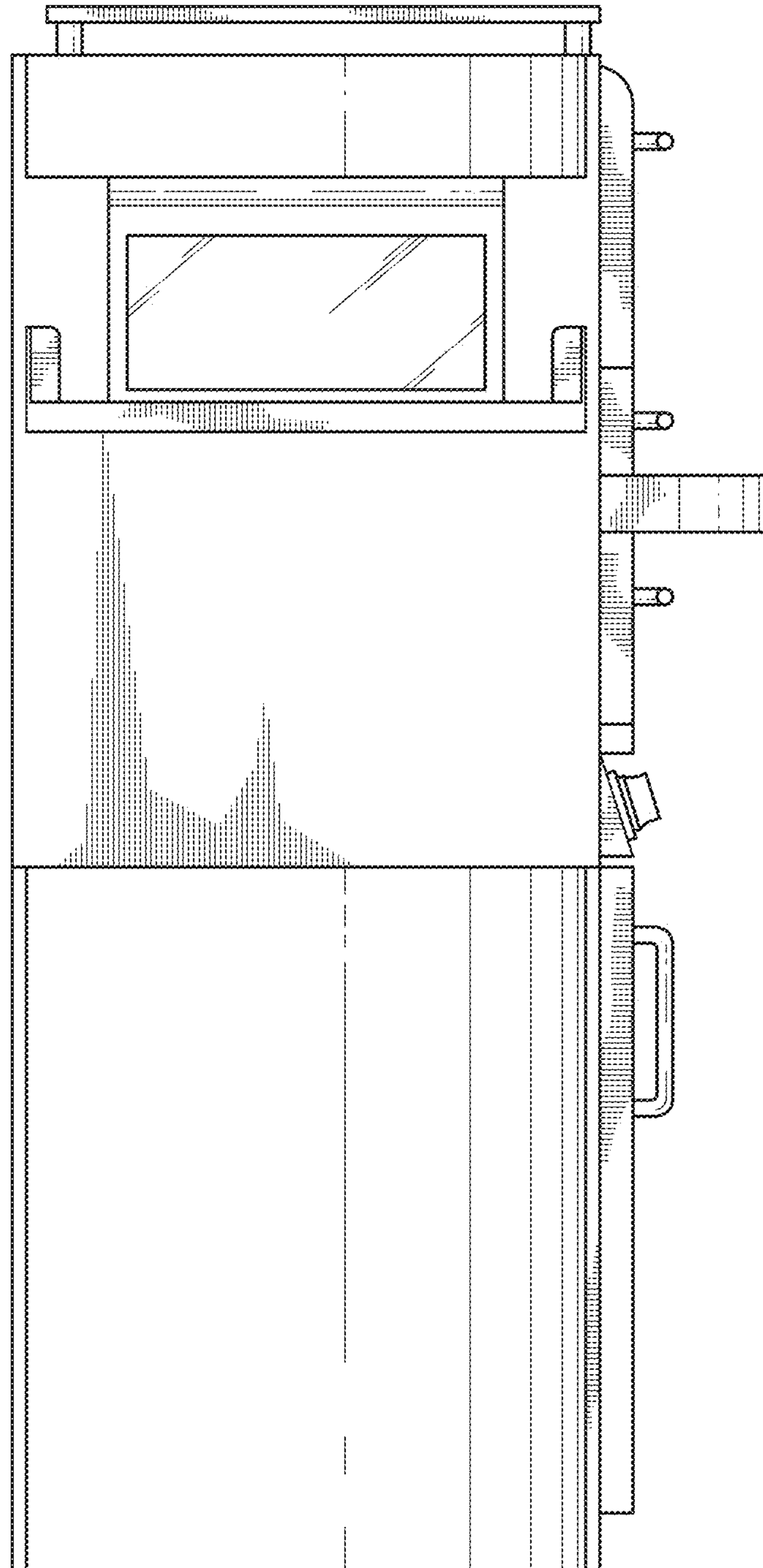


FIG. 4

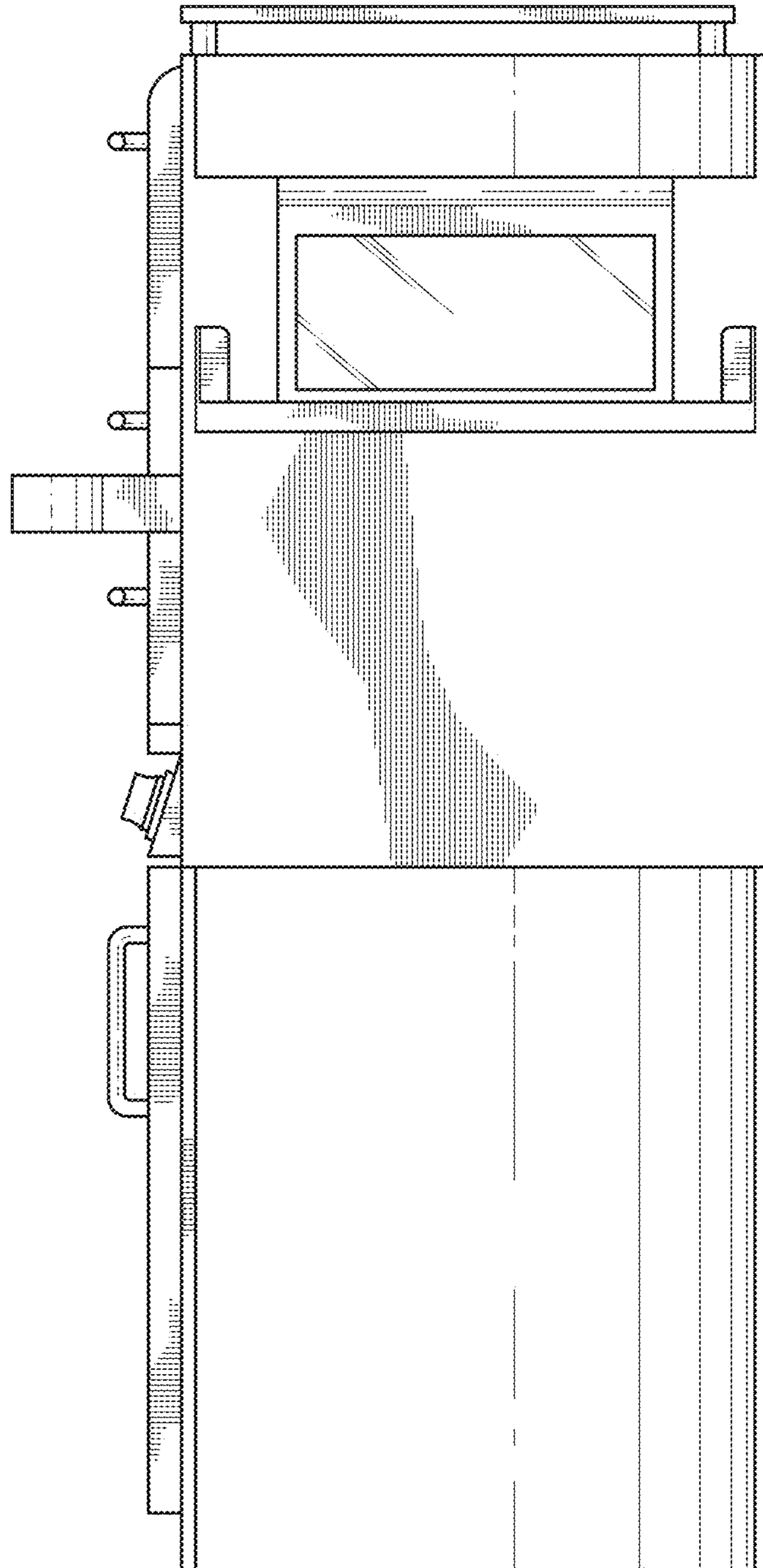


FIG. 5

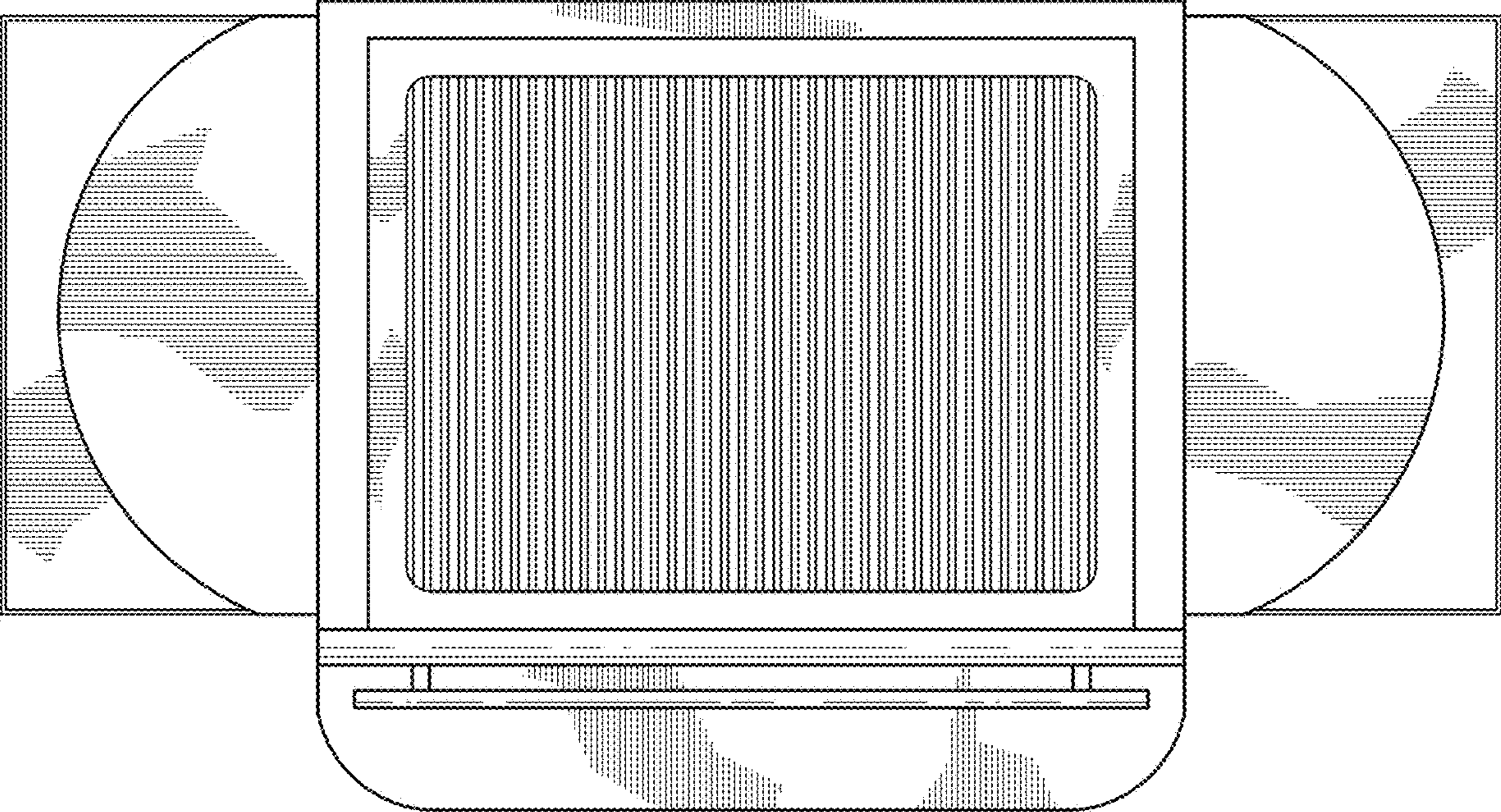


FIG. 6

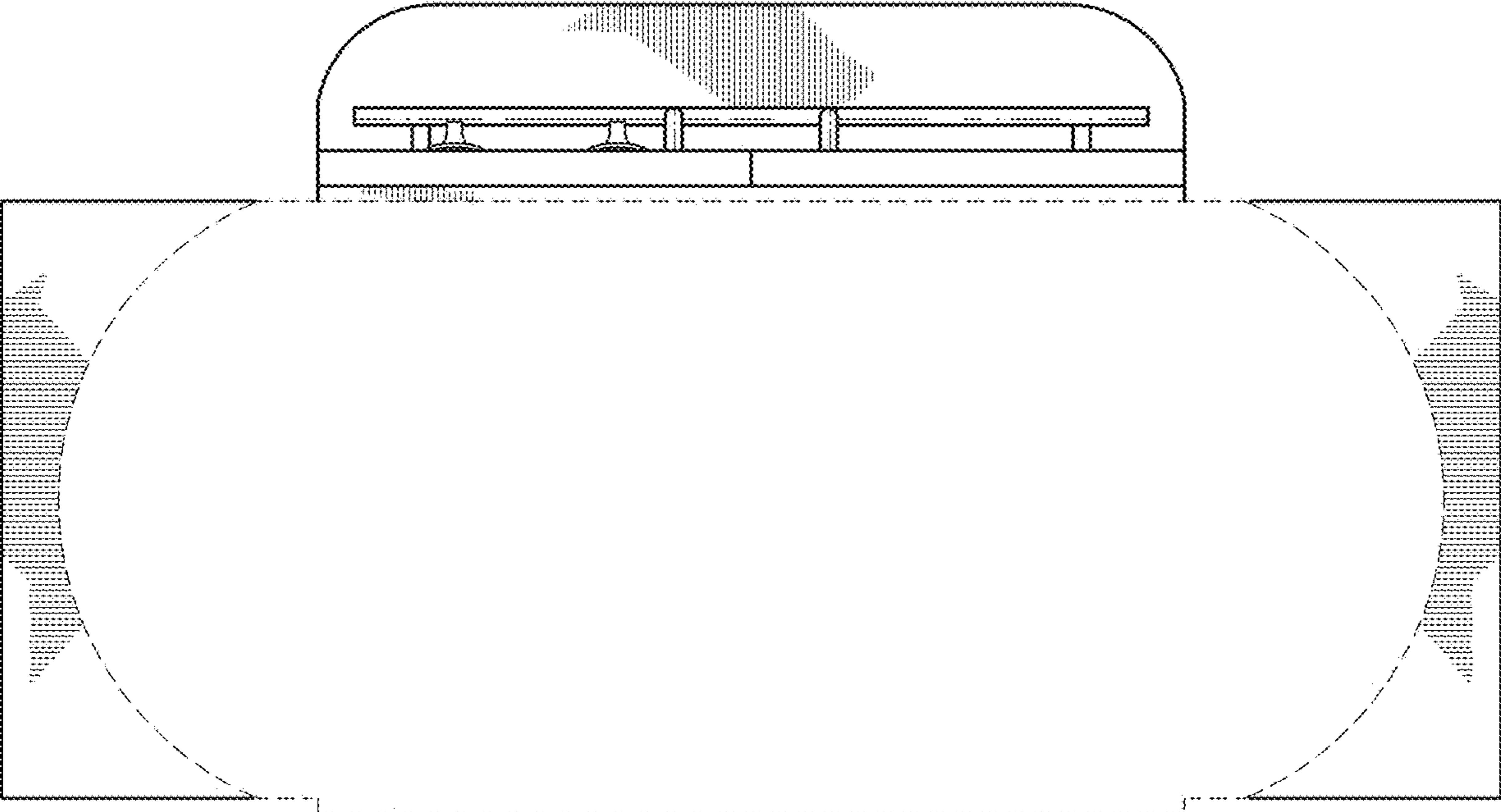


FIG. 7