



US00D886506S

(12) **United States Design Patent**  
**Thun et al.**

(10) **Patent No.:** **US D886,506 S**  
(45) **Date of Patent:** **\*\* Jun. 9, 2020**

(54) **TOASTER**

(71) Applicant: **Zwilling J.A. Henckels AG**, Solingen (DE)

(72) Inventors: **Matteo Thun**, Mailand (IT); **Antonio Rodriguez**, Mailand (IT)

(73) Assignee: **ZWILLING J.A. HENCKELS AG**, Solingen (DE)

(\*\*) Term: **15 Years**

(21) Appl. No.: **29/682,538**

(22) Filed: **Mar. 6, 2019**

(30) **Foreign Application Priority Data**

Sep. 11, 2018 (EM) ..... 005636552-0006

(51) **LOC (12) Cl.** ..... **07-02**

(52) **U.S. Cl.**  
USPC ..... **D7/330**

(58) **Field of Classification Search**  
USPC ..... D7/323, 328-330, 390  
CPC ... A21B 2/00; A47J 37/00; A47J 37/06; A47J 37/0611; A47J 37/08; A47J 37/0807; A47J 37/0814; A47J 37/0835; A47J 37/0842; A47J 37/085; A47J 37/0864; A47J 37/0878; A47J 37/0885; A47J 37/0892; F24C 15/10; F24C 15/102

See application file for complete search history.

(56) **References Cited**

U.S. PATENT DOCUMENTS

D503,581 S *	4/2005	Wong	.....	D7/330
D640,893 S *	7/2011	Lindquist	.....	D7/330
D644,473 S *	9/2011	Pantaleo	.....	D7/330
D724,885 S *	3/2015	Kunz	.....	D7/330
D799,884 S *	10/2017	Rose	.....	D7/330
D814,223 S *	4/2018	Barquin	.....	D7/330
D838,132 S *	1/2019	Kowalewski	.....	D7/330
D843,769 S *	3/2019	Chen	.....	D7/330
D859,856 S *	9/2019	Josancy	.....	D6/330
D862,149 S *	10/2019	Gordon	.....	D7/330

\* cited by examiner

*Primary Examiner* — Ricky Pham

(74) *Attorney, Agent, or Firm* — Gregory L. Mayback;  
Dickinson Wright PLLC

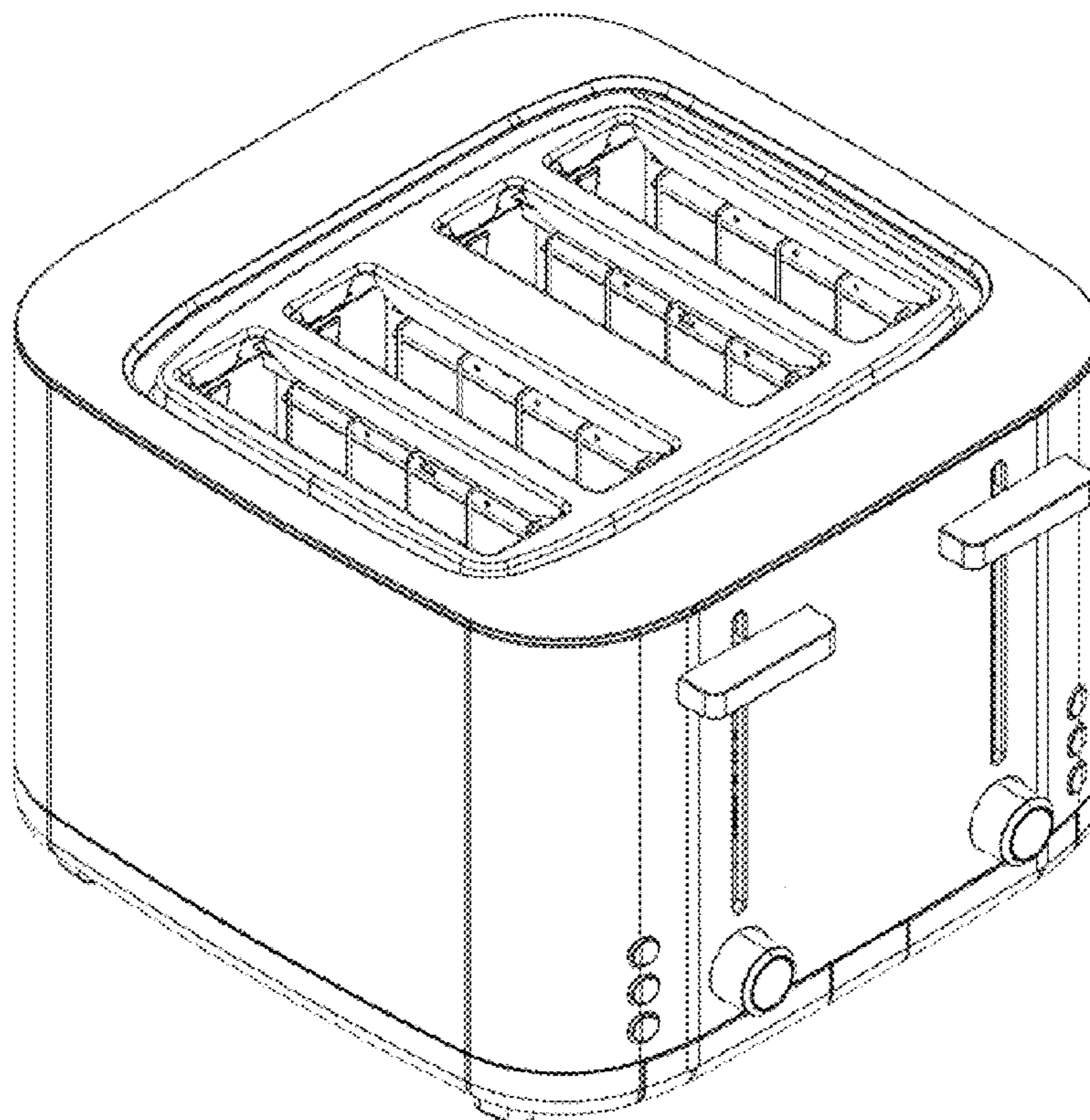
(57) **CLAIM**

The ornamental design for a toaster, as shown and described.

**DESCRIPTION**

FIG. 1 is a perspective view of a toaster showing our new design;  
FIG. 2 is a top plan view thereof;  
FIG. 3 is a left side elevation view thereof;  
FIG. 4 is a front elevation view thereof;  
FIG. 5 is a right side elevation view thereof;  
FIG. 6 is a rear elevation view thereof; and,  
FIG. 7 is a bottom plan view thereof.

**1 Claim, 7 Drawing Sheets**



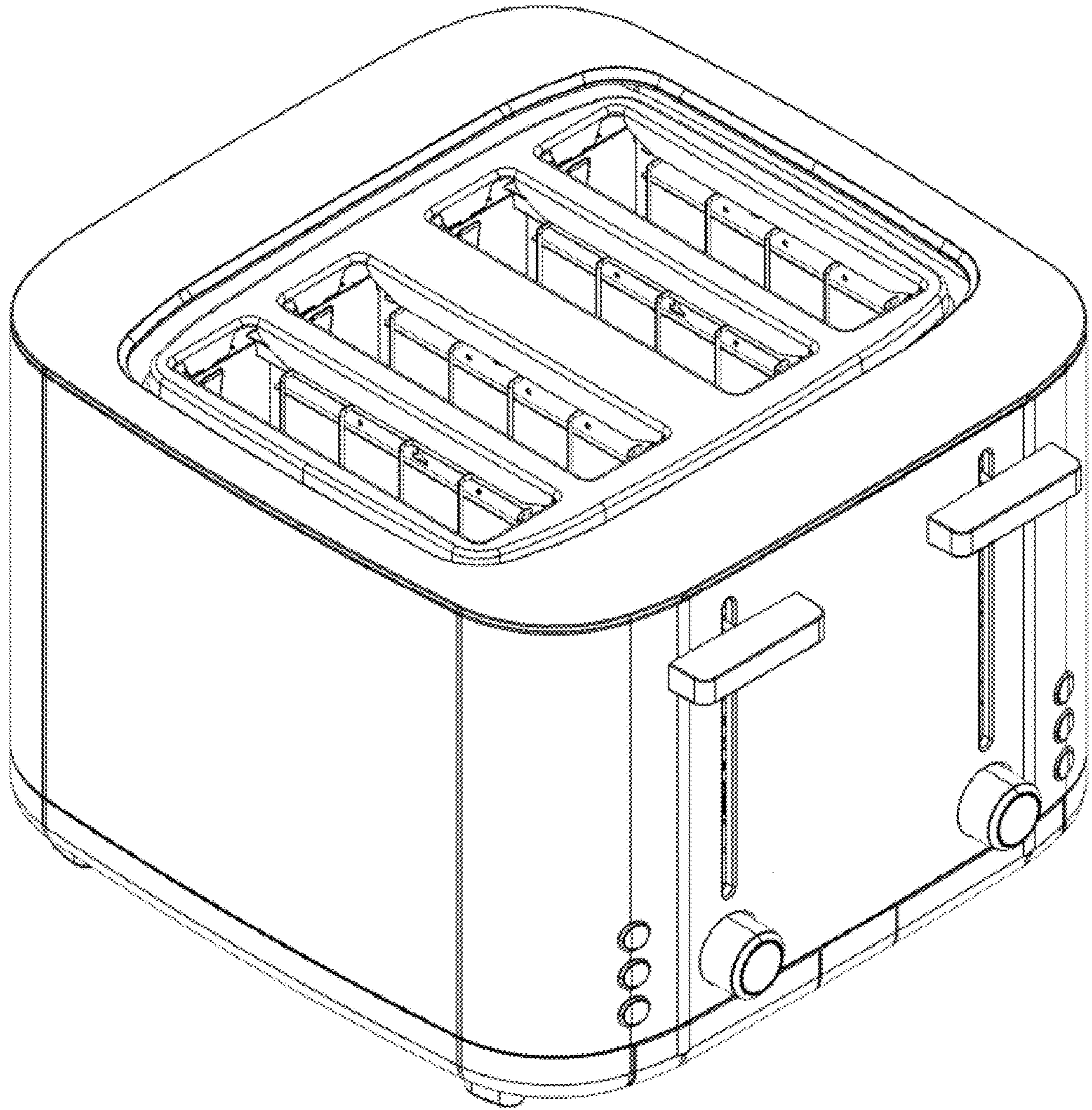


FIG. 1



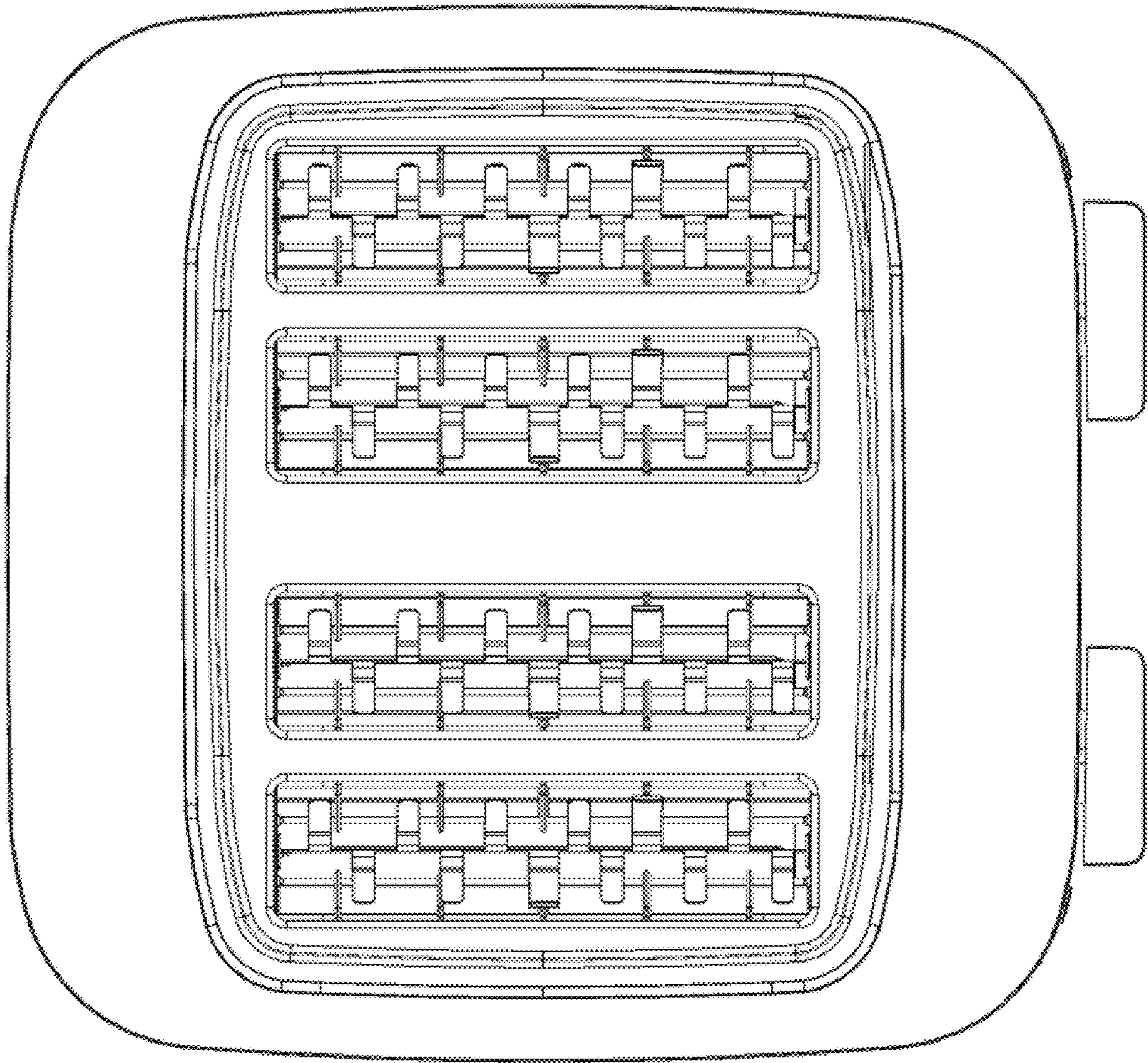


FIG. 2

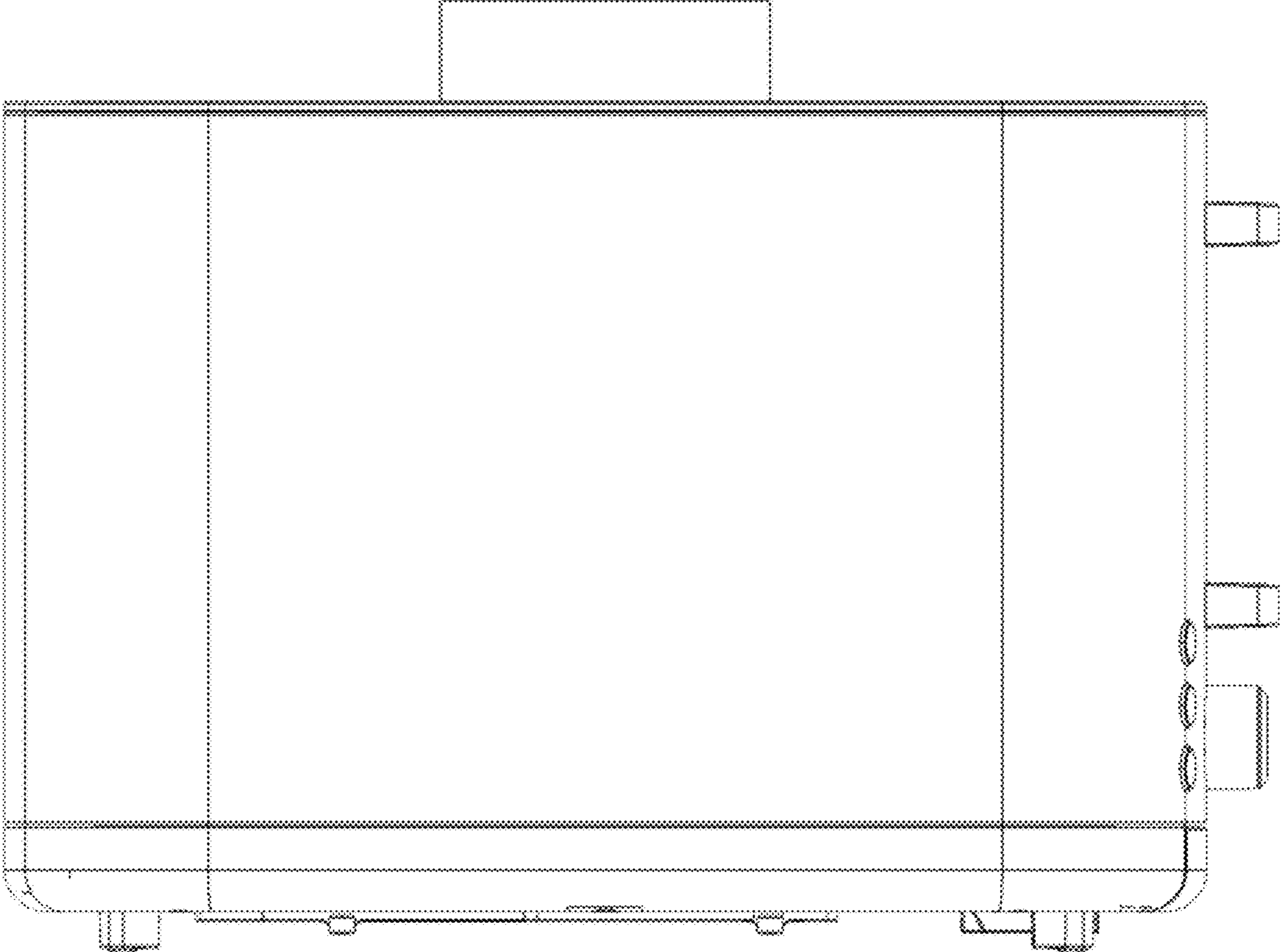


FIG. 3

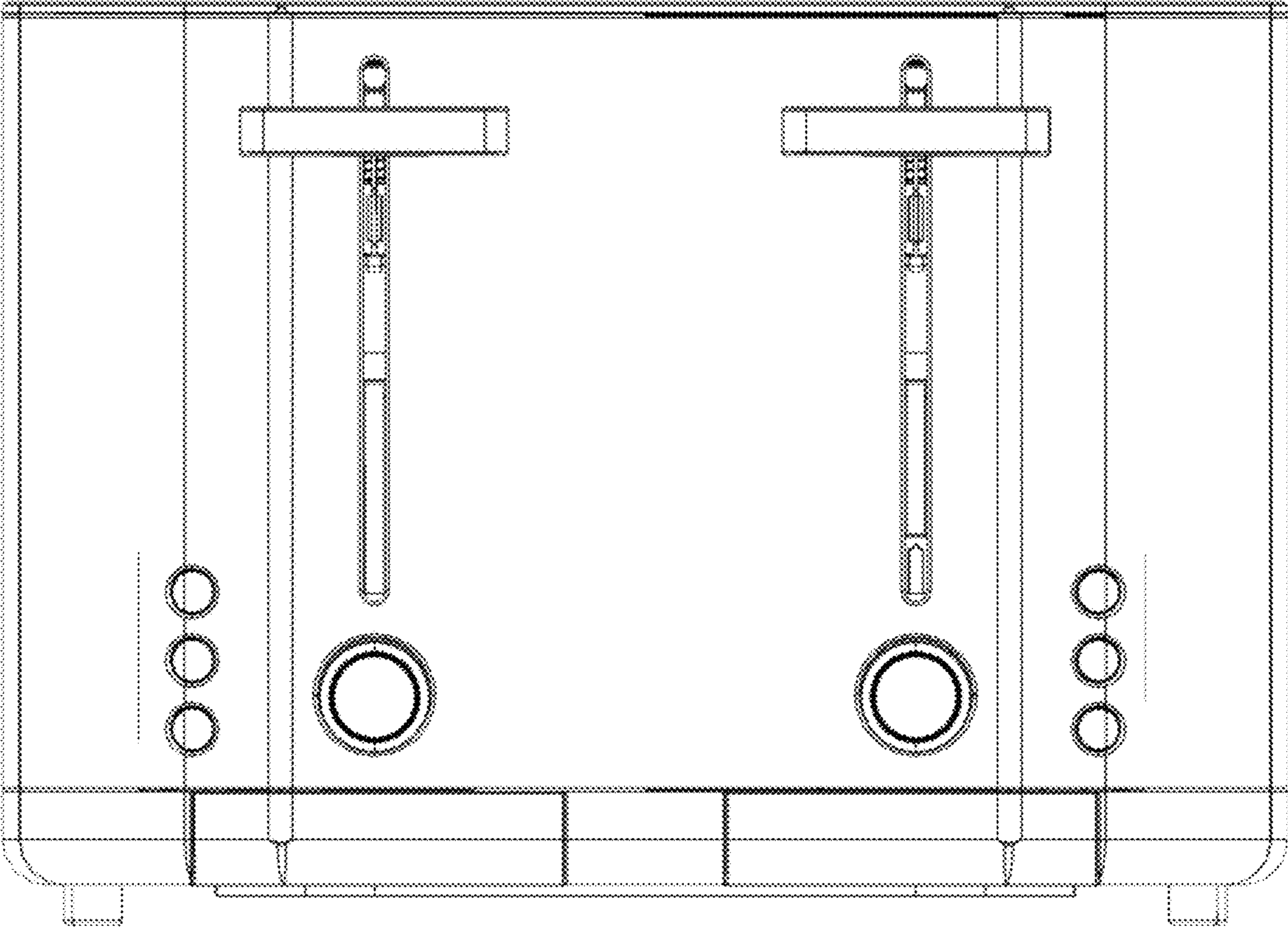


FIG. 4

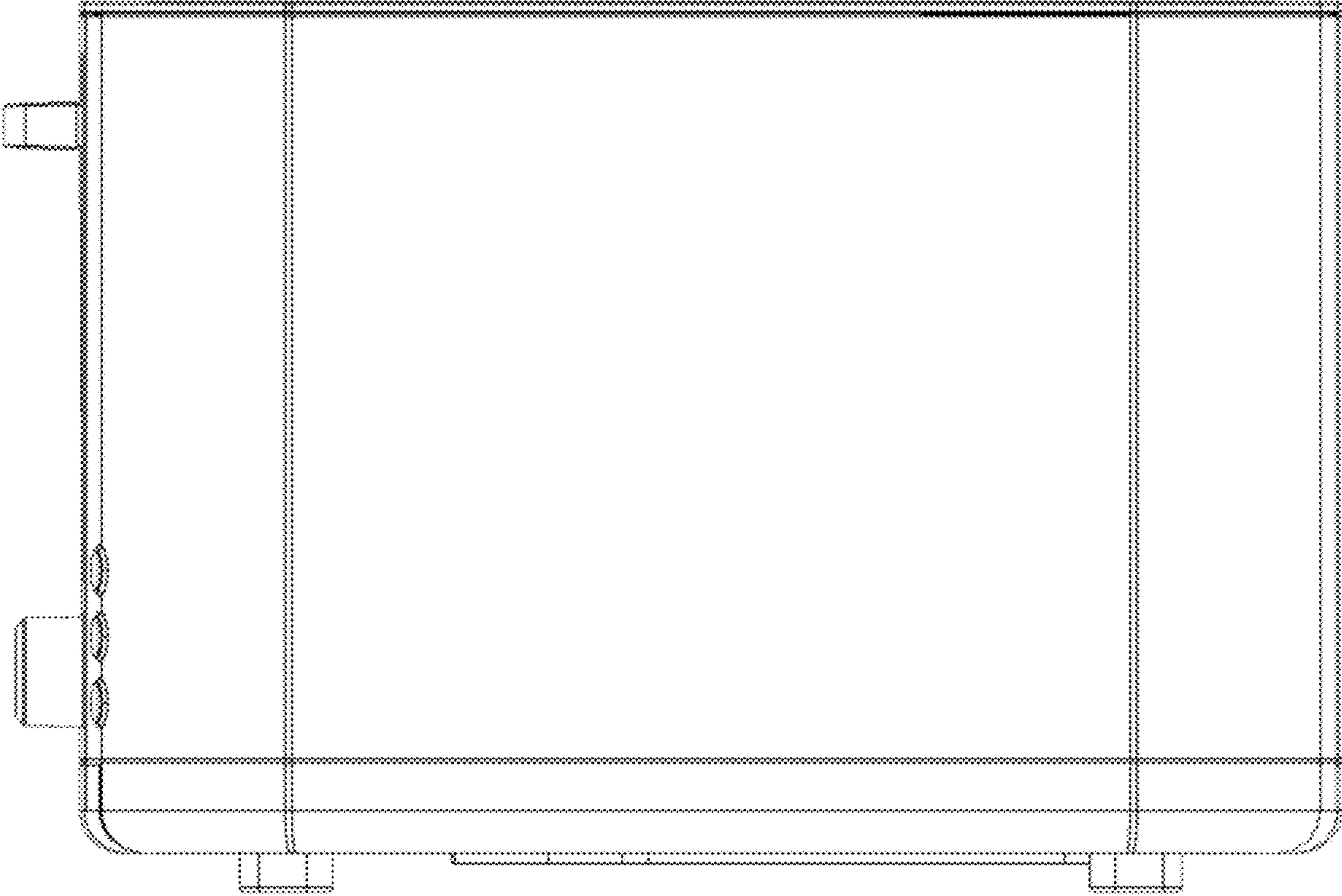


FIG. 5



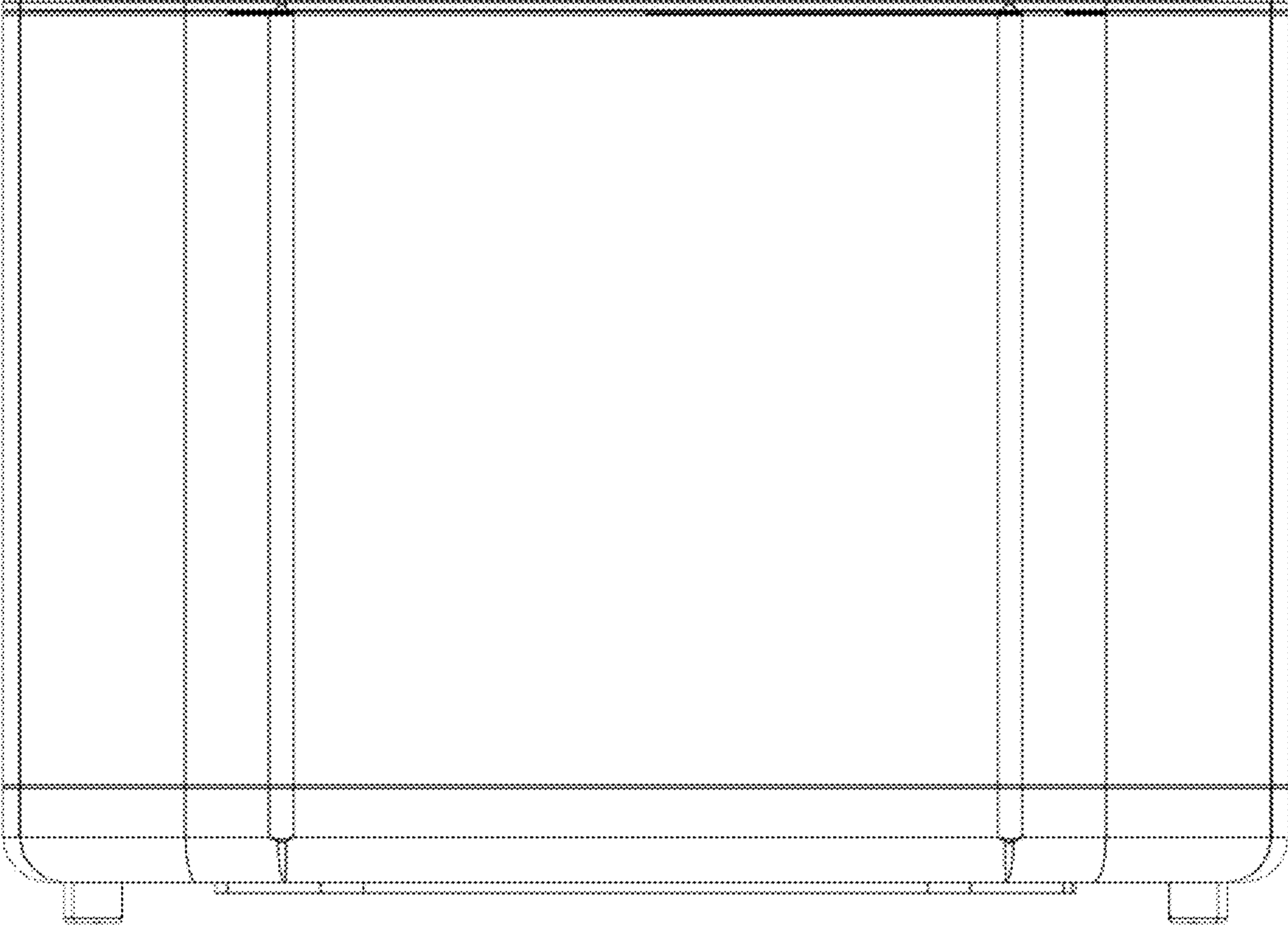


FIG. 6

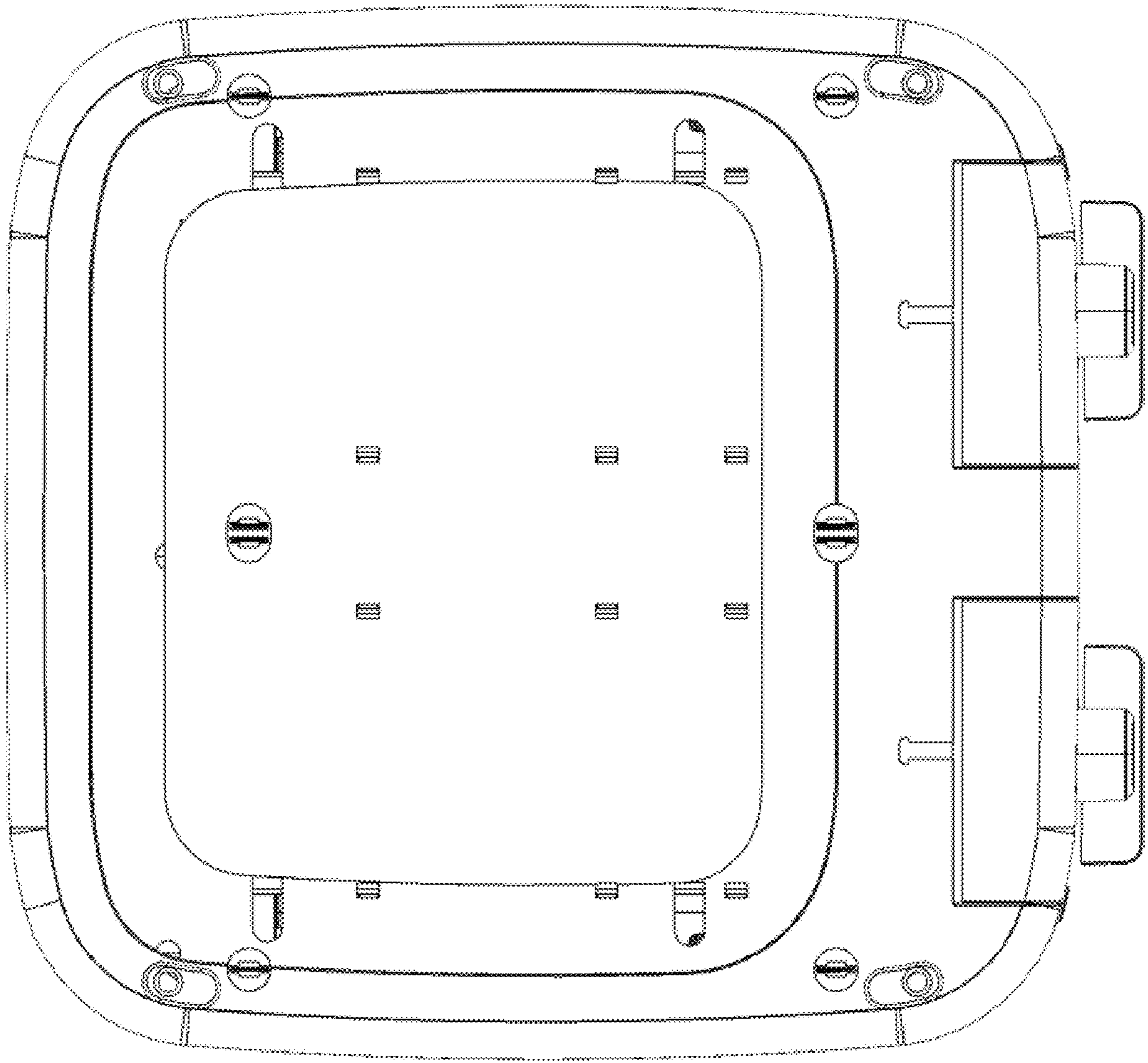


FIG. 7