

US00D886505S

(12) **United States Design Patent**  
**Thun et al.**

(10) **Patent No.:** **US D886,505 S**  
(45) **Date of Patent:** **\*\* Jun. 9, 2020**

- (54) **TOASTER**
- (71) Applicant: **Zwilling J.A. Henckels AG**, Solingen (DE)
- (72) Inventors: **Matteo Thun**, Mailand (IT); **Antonio Rodriguez**, Mailand (IT)
- (73) Assignee: **ZWILLING J.A. HENCKELS AG**, Solingen (DE)

D567,570 S *	4/2008	O'Loughlin	.....	D7/330
D640,893 S *	7/2011	Lindquist	.....	D7/330
D644,473 S *	9/2011	Pantaleo	.....	D7/330
D688,509 S *	8/2013	Carlson	.....	D7/330
D724,885 S *	3/2015	Kunz	.....	D7/330
D761,610 S *	7/2016	Carpenter	.....	D7/330
D765,456 S *	9/2016	Lee	.....	D7/330
D791,526 S *	7/2017	Rose	.....	D7/330
D814,223 S *	4/2018	Barquin	.....	D7/330
D838,132 S *	1/2019	Kowalewski	.....	D7/330
D843,769 S *	3/2019	Chen	.....	D7/330

- (\*\*) Term: **15 Years**
- (21) Appl. No.: **29/682,531**
- (22) Filed: **Mar. 6, 2019**

\* cited by examiner

*Primary Examiner* — Ricky Pham

(74) *Attorney, Agent, or Firm* — Gregory L. Mayback;  
Dickinson Wright PLLC

(30) **Foreign Application Priority Data**

Sep. 11, 2018 (EM) ..... 005636552-0004

- (51) **LOC (12) Cl.** ..... **07-02**
- (52) **U.S. Cl.**  
USPC ..... **D7/330**

(57) **CLAIM**

The ornamental design for a toaster, as shown and described.

(58) **Field of Classification Search**

USPC ..... D7/323, 328-330, 390  
 CPC ... A21B 2/00; A47J 37/00; A47J 37/06; A47J 37/0611; A47J 37/08; A47J 37/0807; A47J 37/0814; A47J 37/0835; A47J 37/0842; A47J 37/085; A47J 37/0864; A47J 37/0878; A47J 37/0885; A47J 37/0892; F24C 15/10; F24C 15/102

See application file for complete search history.

**DESCRIPTION**

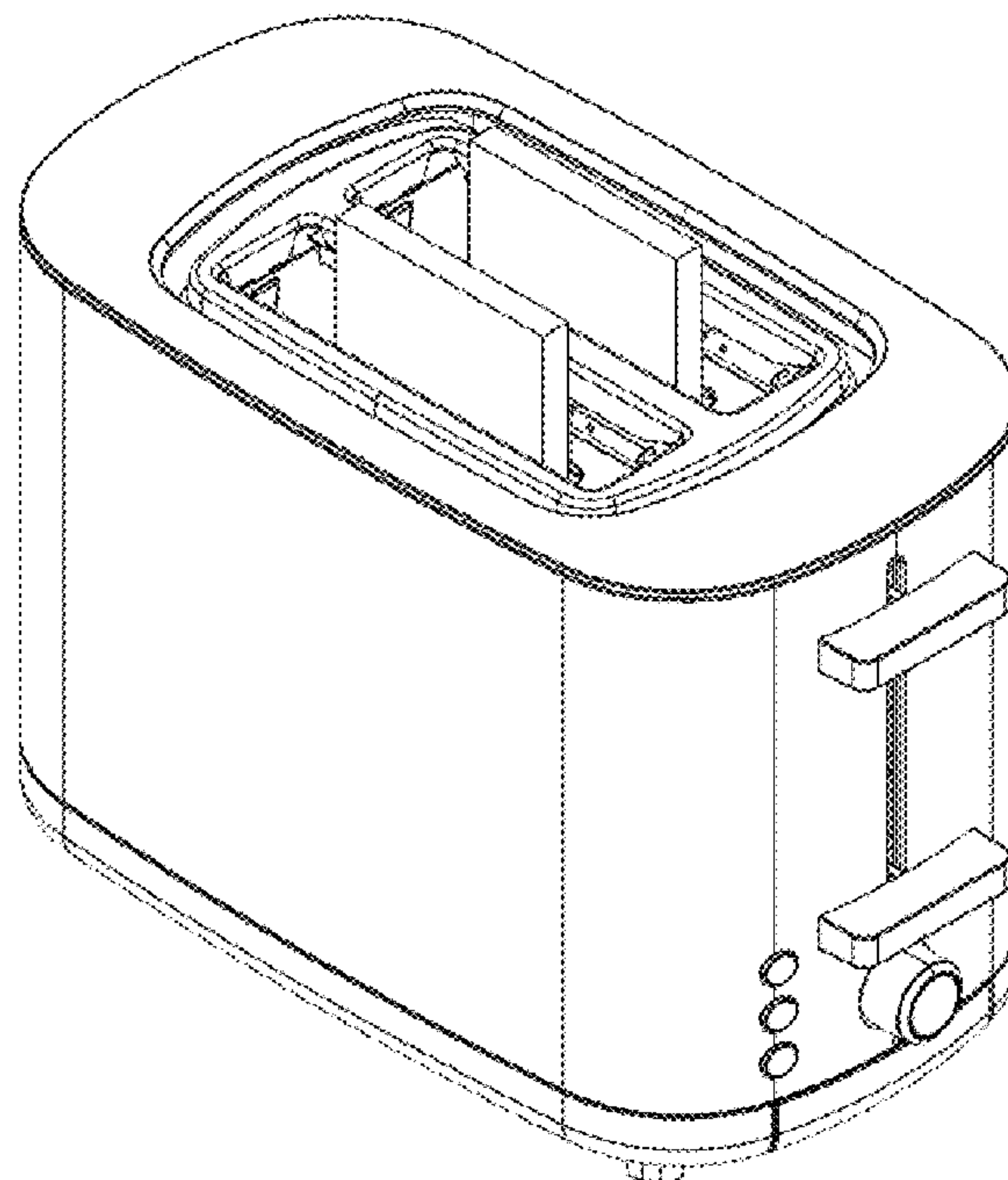
FIG. 1 is a perspective view of a toaster showing our new design;  
 FIG. 2 is a top plan view thereof;  
 FIG. 3 is a left side elevation view thereof;  
 FIG. 4 is a front elevation view thereof;  
 FIG. 5 is a right side elevation view thereof;  
 FIG. 6 is a rear elevation view thereof; and,  
 FIG. 7 is a bottom plan view thereof.

(56) **References Cited**

**U.S. PATENT DOCUMENTS**

- D490,267 S \* 5/2004 Berthier ..... D7/330
- D492,536 S \* 7/2004 Wong ..... D7/330

**1 Claim, 7 Drawing Sheets**



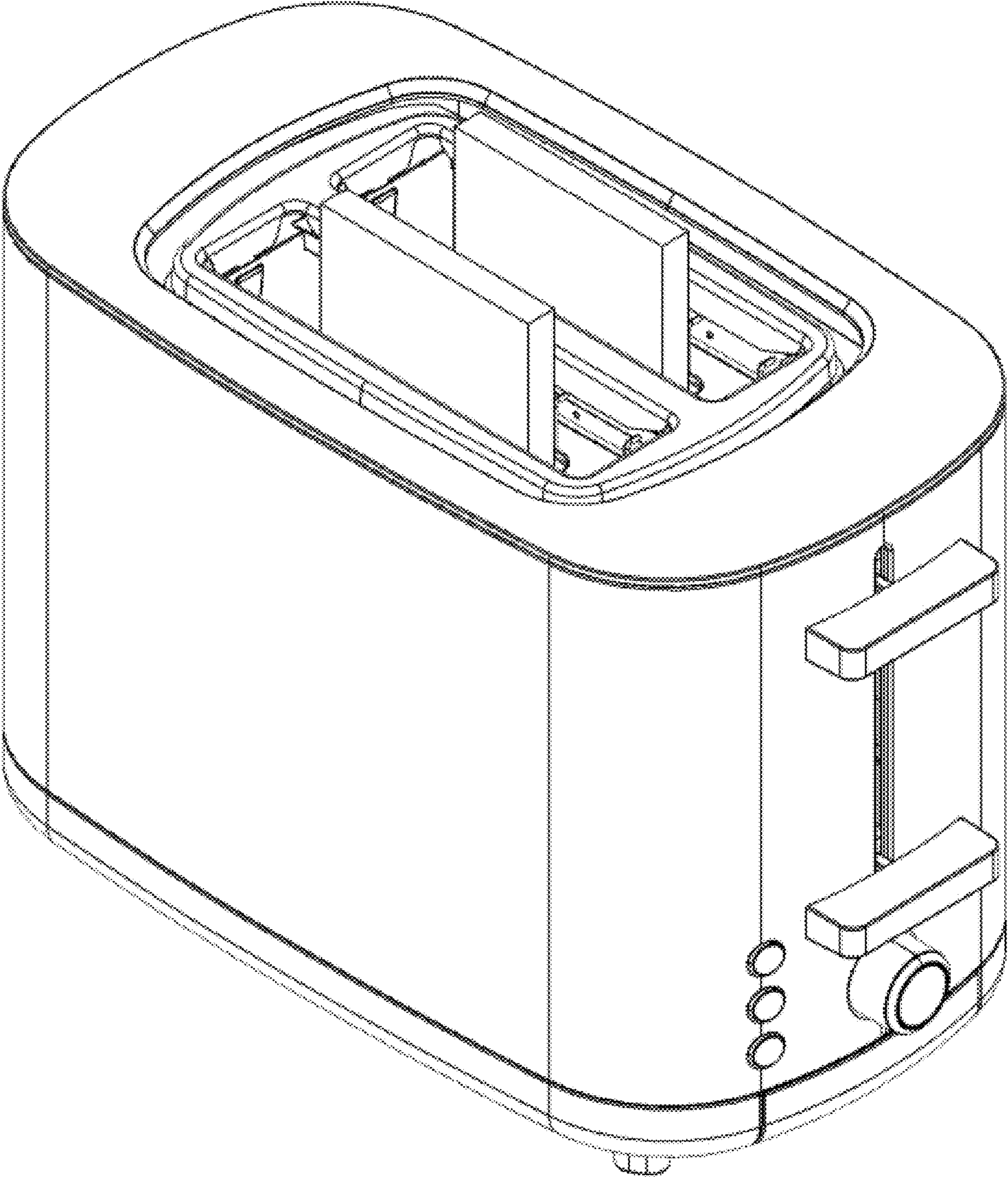


FIG. 1



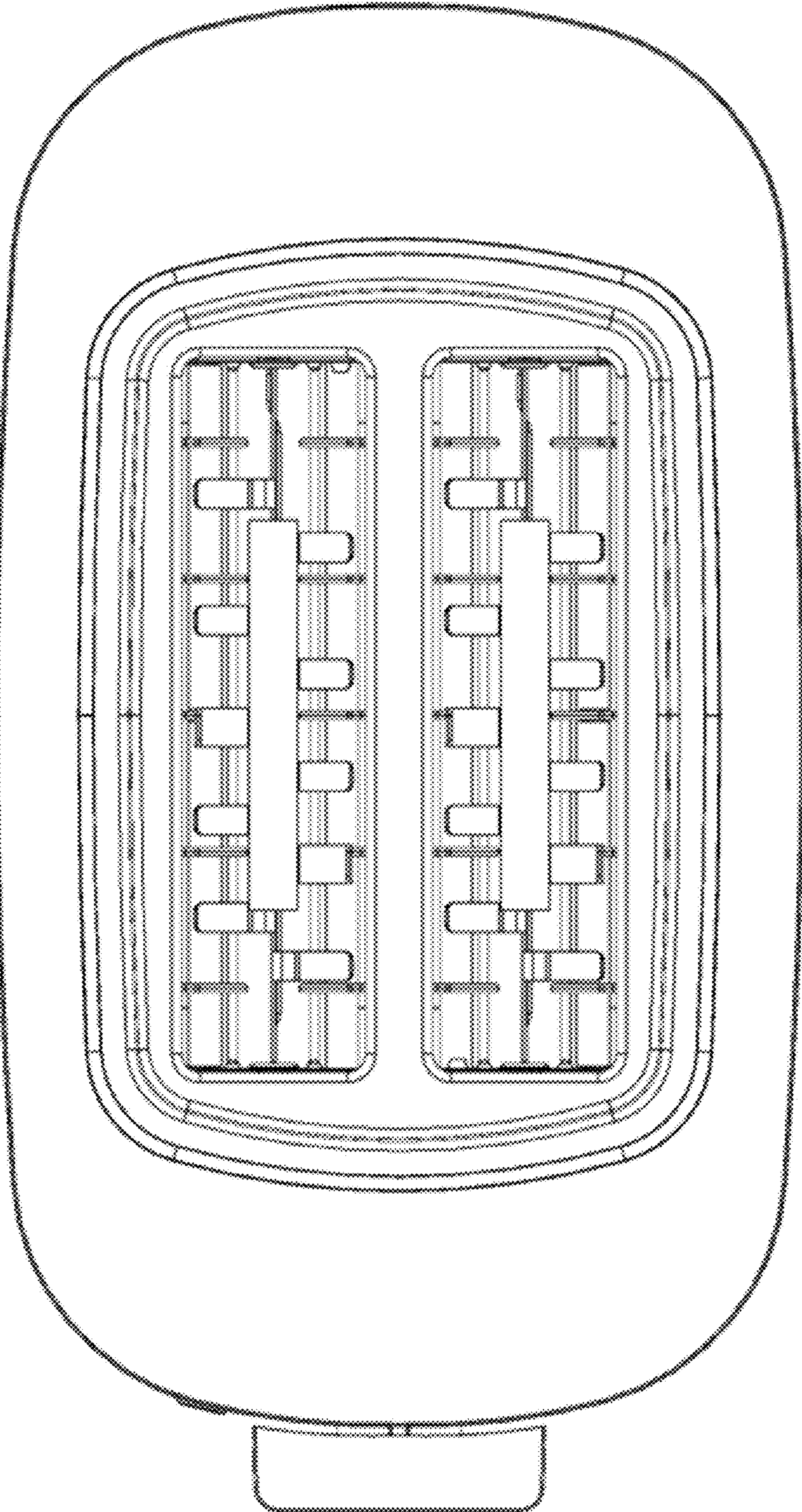


FIG. 2

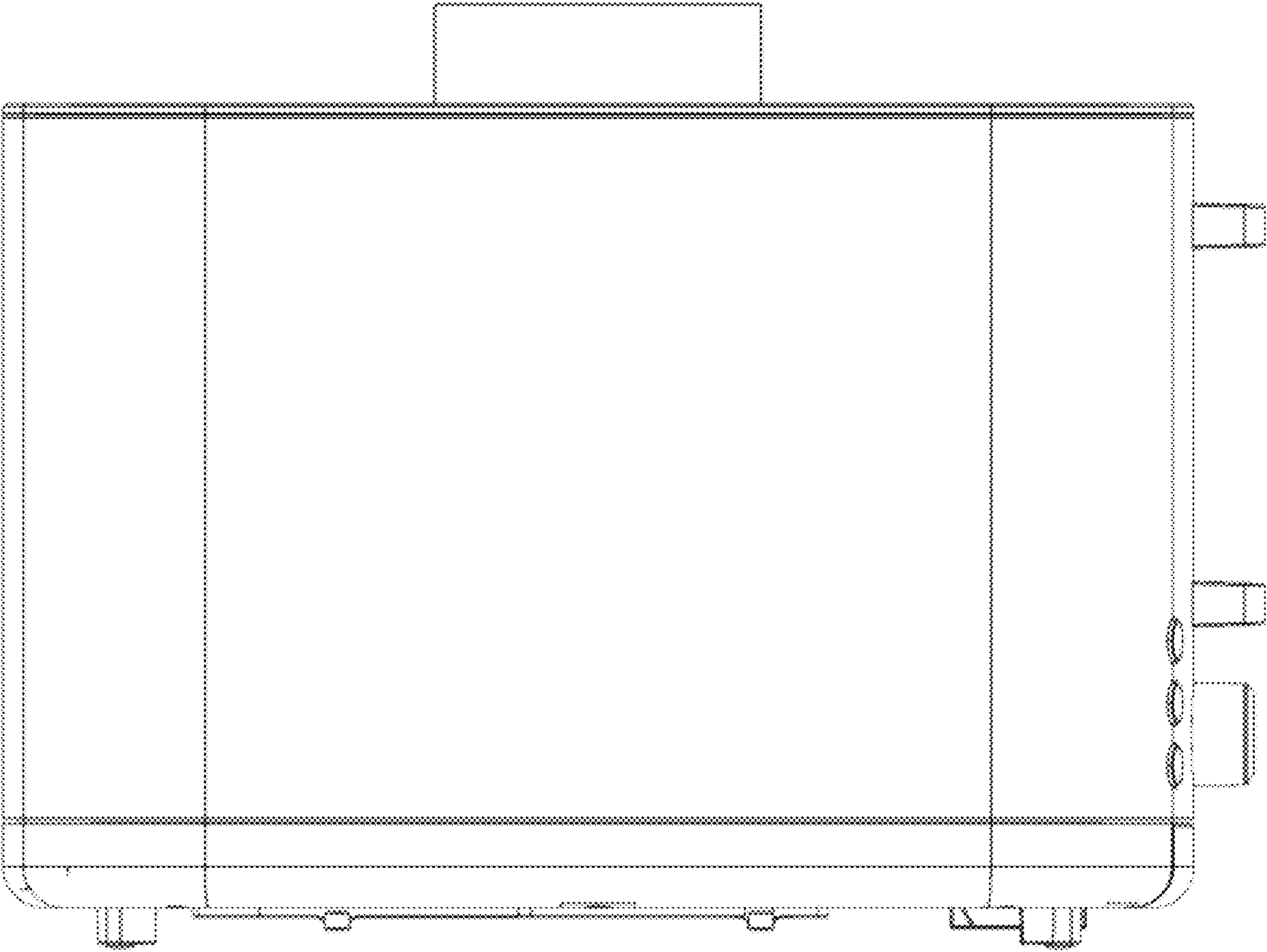


FIG. 3

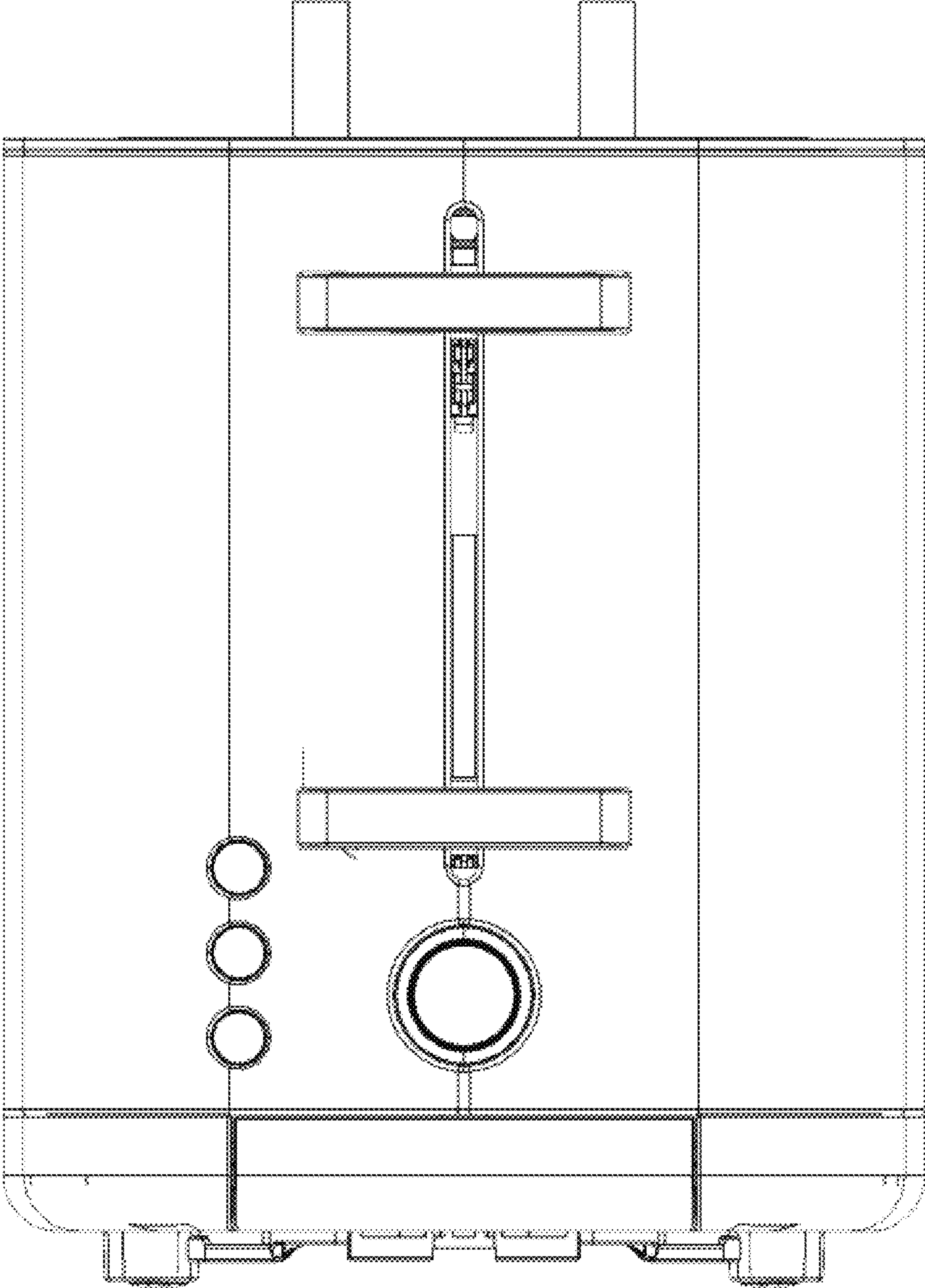


FIG. 4



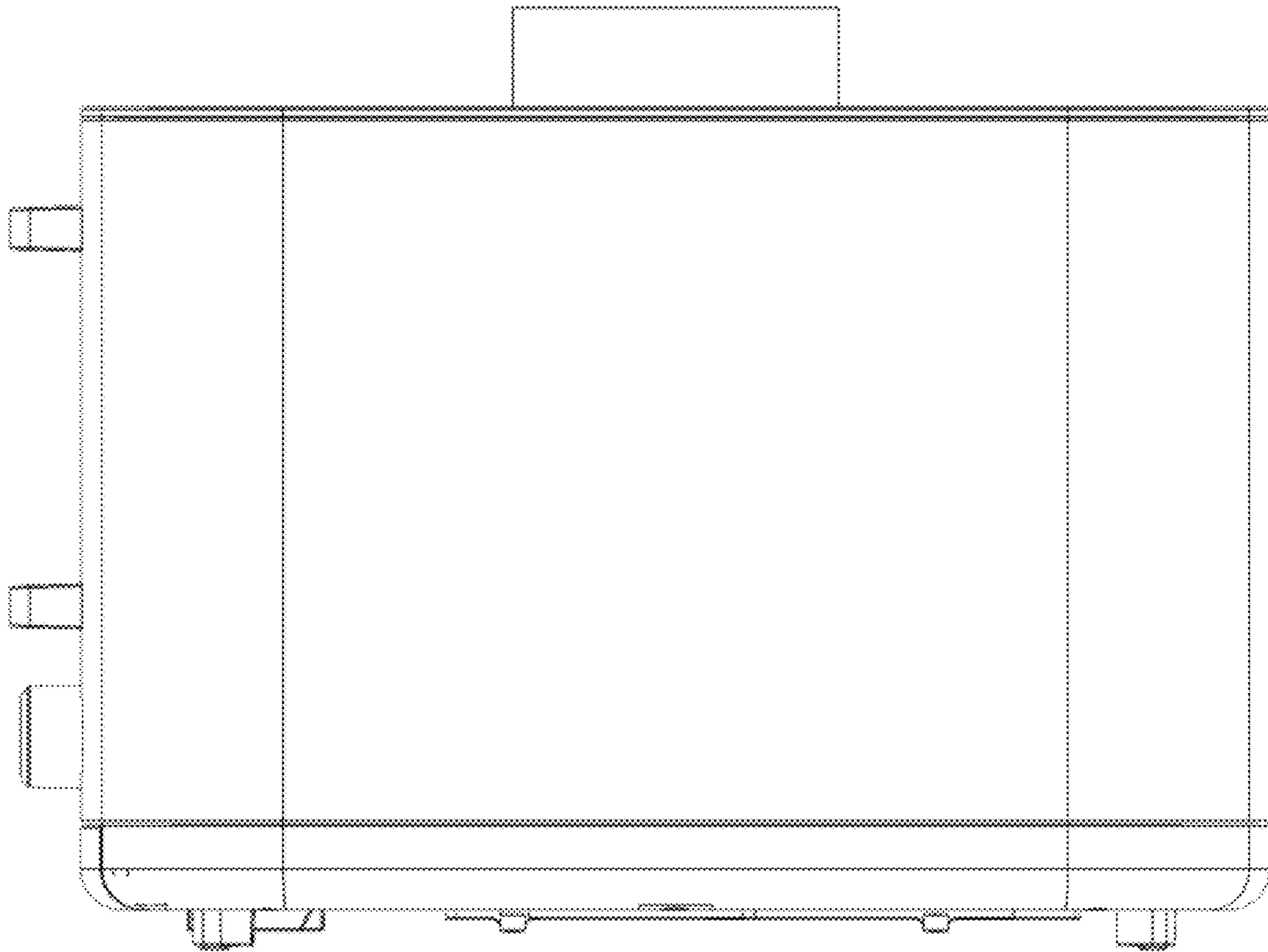


FIG. 5

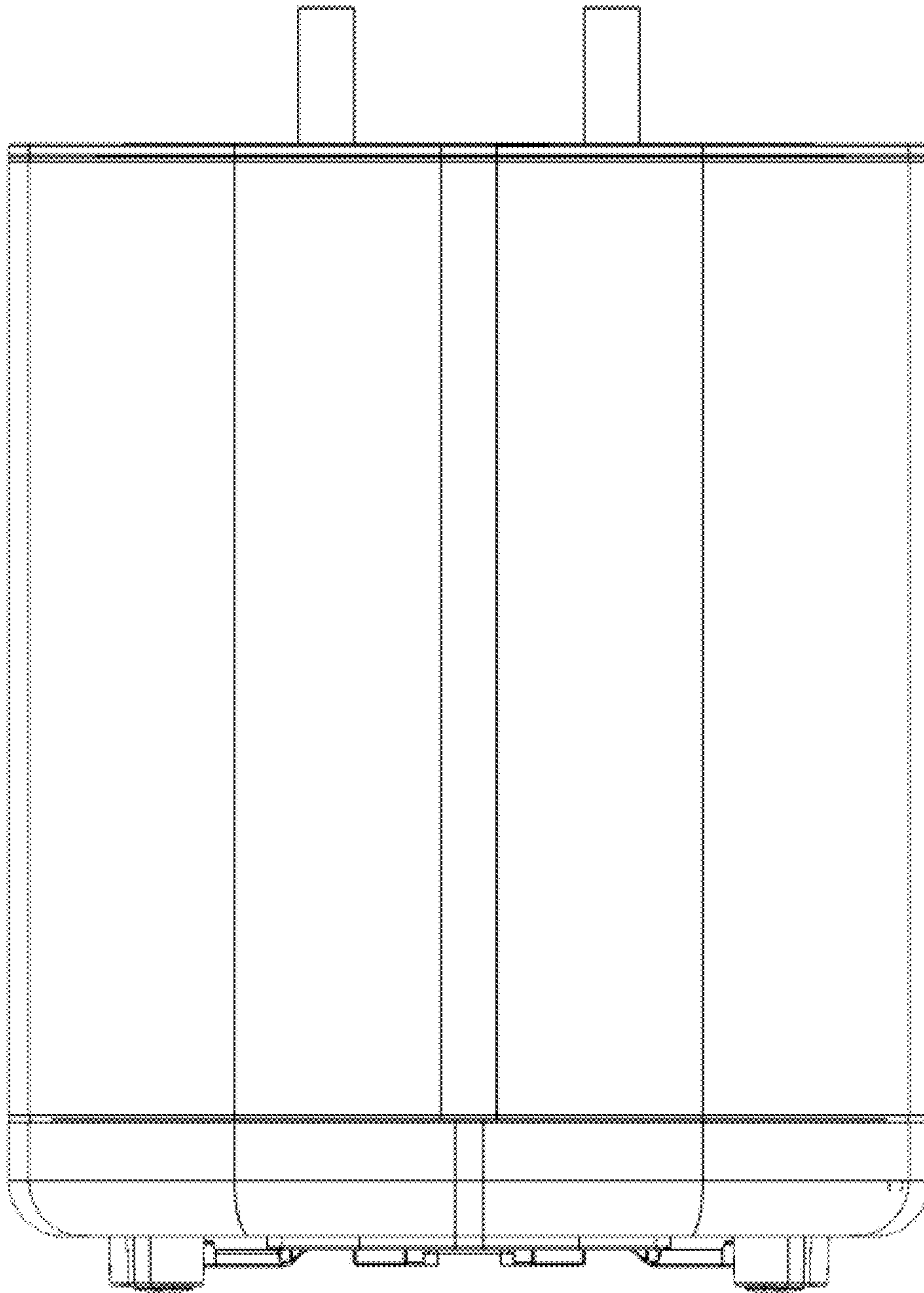


FIG. 6



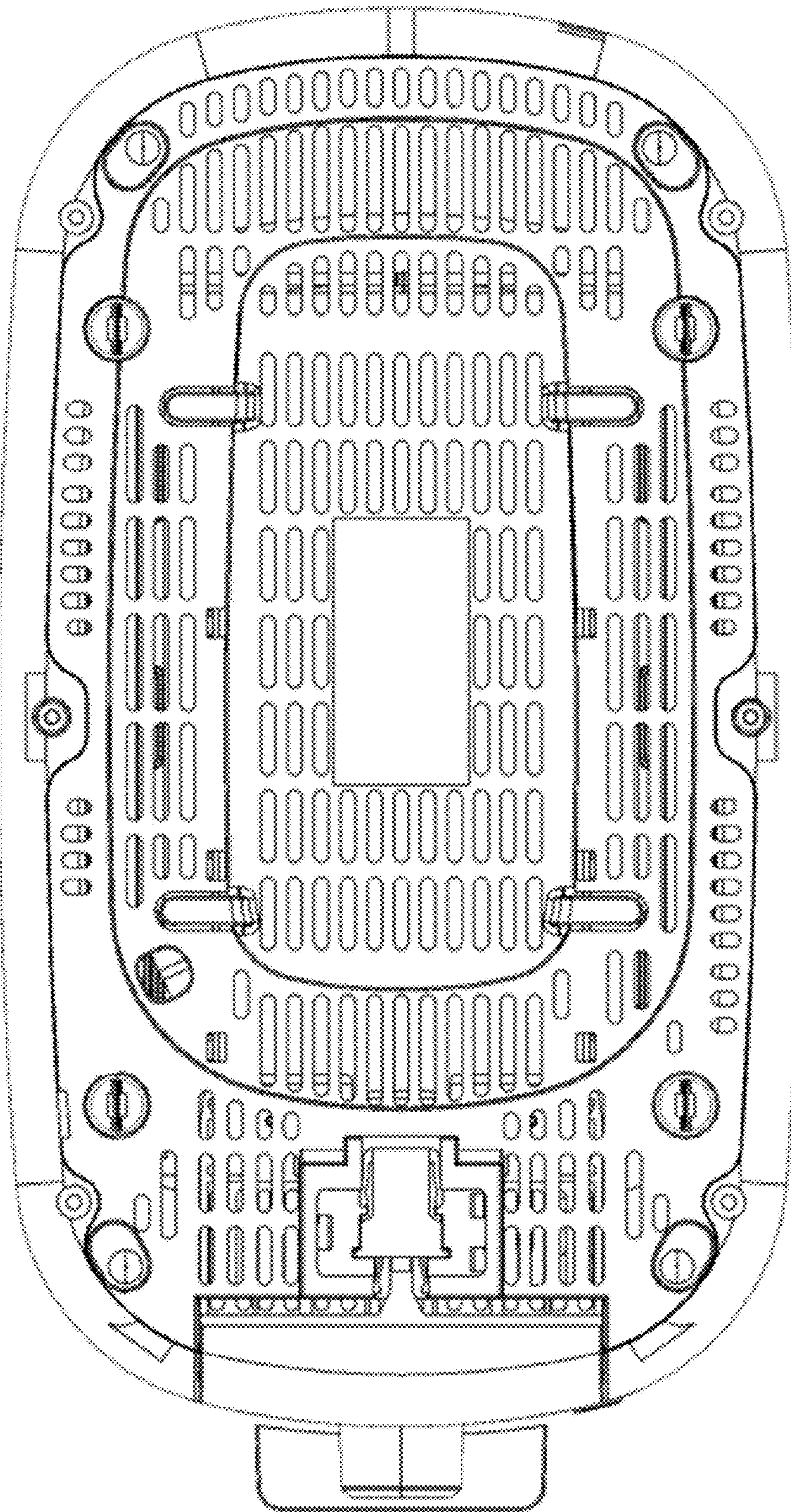


FIG. 7