



US00D886501S

(12) **United States Design Patent**  
**Izawa**

(10) **Patent No.:** **US D886,501 S**  
(45) **Date of Patent:** **\*\* Jun. 9, 2020**

(54) **CHAIR**  
(71) Applicant: **Okamura Corporation**, Yokohama-shi,  
Kanagawa (JP)  
(72) Inventor: **Syouichi Izawa**, Yokohama (JP)  
(73) Assignee: **Okamura Corporation**, Yokohama-shi,  
Kanagawa (JP)  
(\*\*) Term: **15 Years**  
(21) Appl. No.: **29/641,888**  
(22) Filed: **Mar. 26, 2018**  
(30) **Foreign Application Priority Data**

6,848,744 B1 \* 2/2005 Raftery ..... A47C 31/02  
297/284.1  
D537,659 S \* 3/2007 Egger ..... D6/365  
D538,561 S \* 3/2007 Yun ..... D6/366  
D539,577 S \* 4/2007 Mazzera ..... D6/366  
D566,438 S \* 4/2008 Tsai ..... D6/366  
D583,161 S \* 12/2008 Huang ..... D6/366  
D648,552 S \* 11/2011 Izawa ..... D6/366  
D655,112 S \* 3/2012 Kubryk ..... D6/366  
D695,537 S \* 12/2013 Geelen ..... D6/366  
D705,561 S \* 5/2014 Massaud ..... D6/366  
D771,989 S \* 11/2016 Giugiaro ..... D6/716.2  
D803,609 S \* 11/2017 Guelfo ..... D6/716.2  
D809,325 S \* 2/2018 Dorigo ..... D6/716.2  
D873,045 S \* 1/2020 Citterio ..... D6/366  
2012/0205948 A1 \* 8/2012 Okuda ..... A47C 7/40  
297/188.03  
2015/0265058 A1 \* 9/2015 Igarashi ..... A47C 5/00  
297/285  
2019/0298071 A1 \* 10/2019 Masunaga ..... A47C 1/0303

Sep. 29, 2017 (JP) ..... 2017-021612  
(51) **LOC (12) Cl.** ..... **06-06**  
(52) **U.S. Cl.**  
USPC ..... **D6/716.2**  
(58) **Field of Classification Search**  
USPC ..... D6/328, 334, 354, 355, 364, 366, 601,  
D6/655, 702, 708, 708.16, 708.17,  
D6/708.18, 708.23, 708.24, 708.25, 712,  
D6/716.1, 716.2, 716.3, 716.4, 716.5,  
D6/716.6, 716.7; D21/662, 694, 695  
CPC .. A47C 1/03; A47C 4/02; A47C 31/00; B64D  
11/06; B62J 1/18; B60N 2/01; H01R  
13/60  
See application file for complete search history.

\* cited by examiner  
*Primary Examiner* — Kevin K Rudzinski  
*Assistant Examiner* — Paul D Bohannon  
(74) *Attorney, Agent, or Firm* — Sughrue Mion, PLLC

(56) **References Cited**  
U.S. PATENT DOCUMENTS  
D417,792 S \* 12/1999 Hansen ..... D6/366  
D418,316 S \* 1/2000 Vogtherr ..... D6/366  
D433,833 S \* 11/2000 Schultz ..... D6/366  
D452,785 S \* 1/2002 Chu ..... D6/366

(57) **CLAIM**  
The ornamental design for a chair, as shown and described.  
**DESCRIPTION**  
FIG. 1 is a front perspective view of a chair.  
FIG. 2 is a rear perspective view thereof.  
FIG. 3 is a front elevation view thereof.  
FIG. 4 is a rear elevation view thereof.  
FIG. 5 is a right side elevation view thereof.  
FIG. 6 is a left side elevation view thereof.  
FIG. 7 is a top plan view thereof; and,  
FIG. 8 is a bottom plan view thereof.  
The broken lines shown in the drawings illustrate portions of  
the chair that form no part of the claimed design.

**1 Claim, 8 Drawing Sheets**

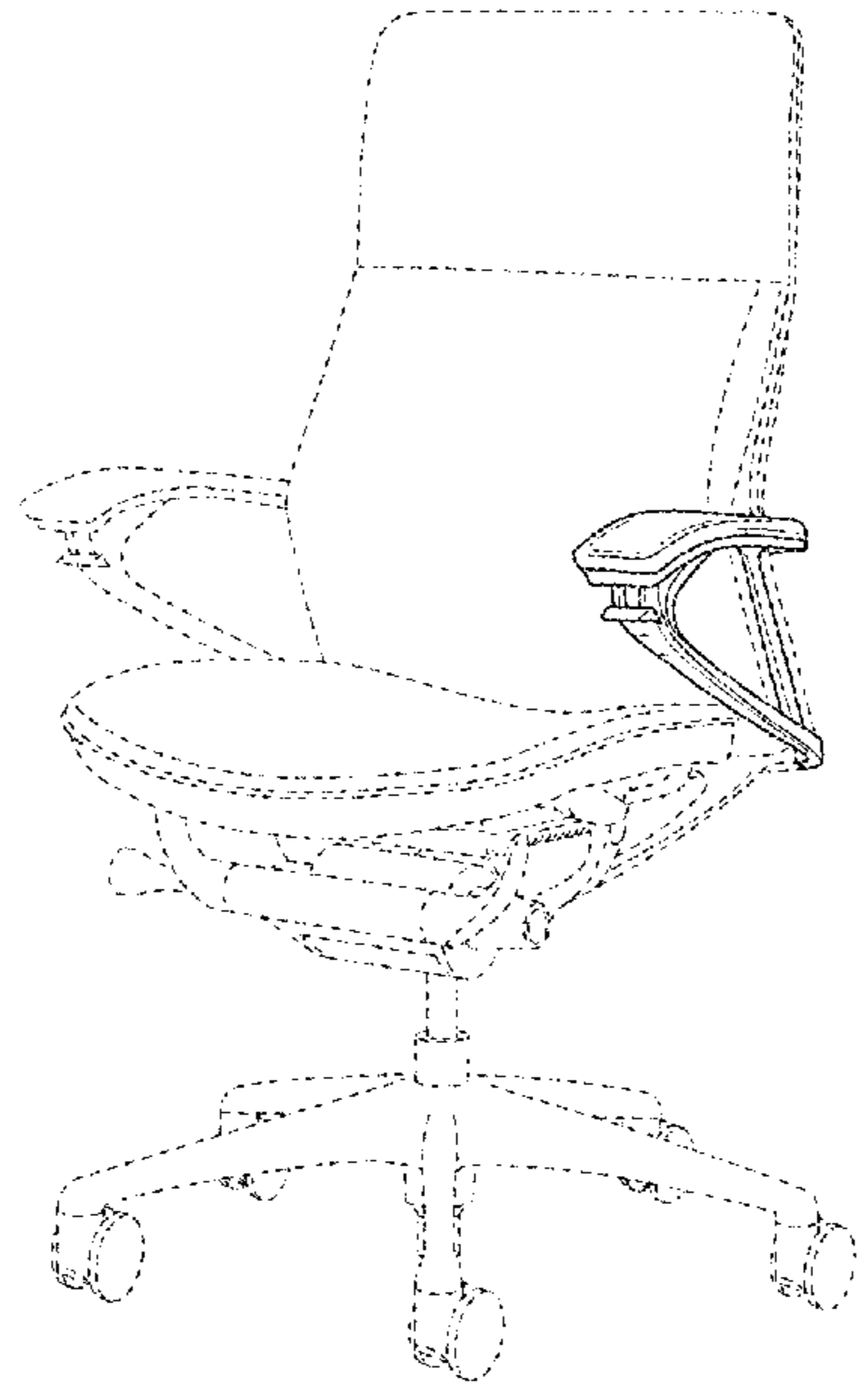


FIG. 1

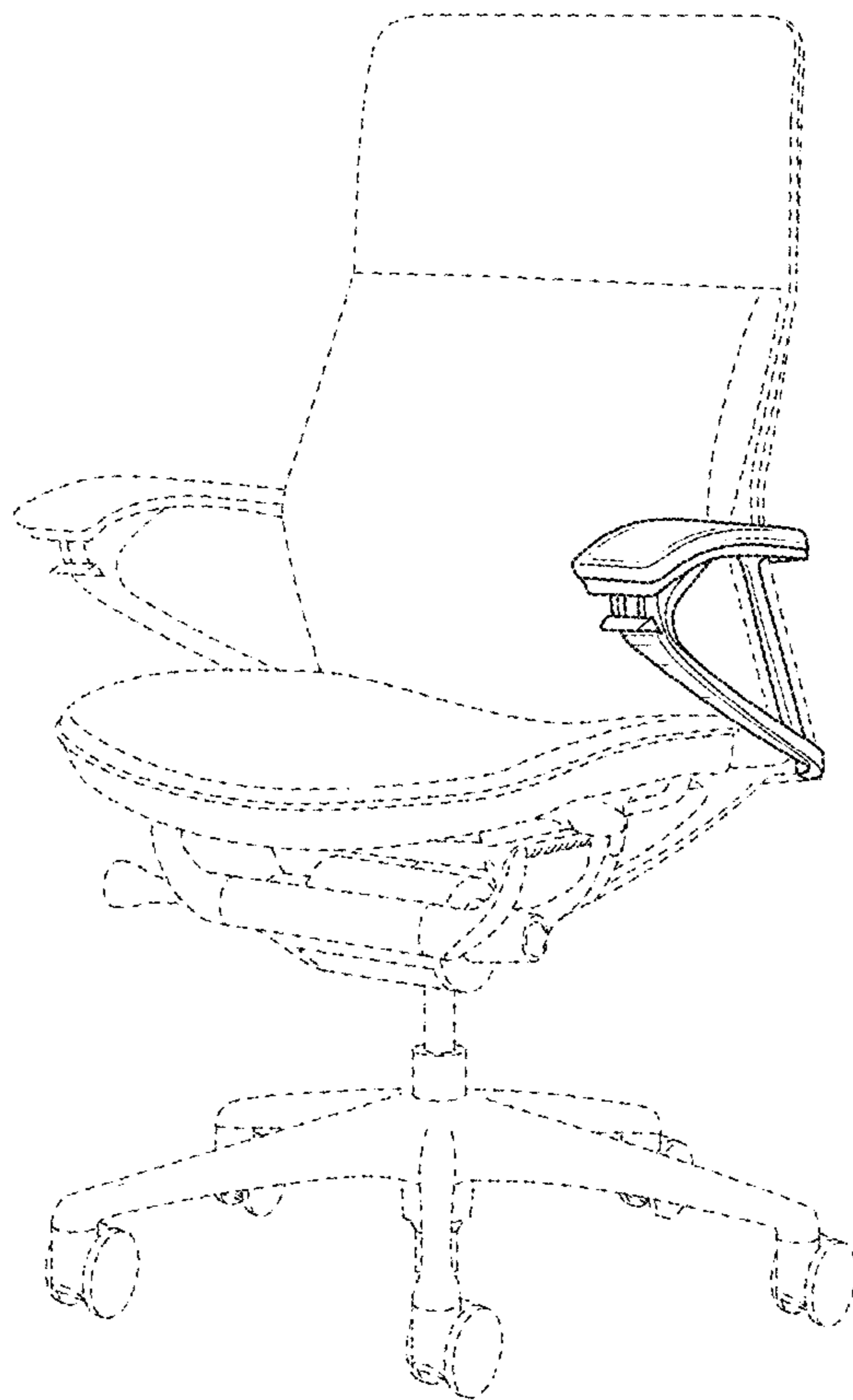


FIG. 2

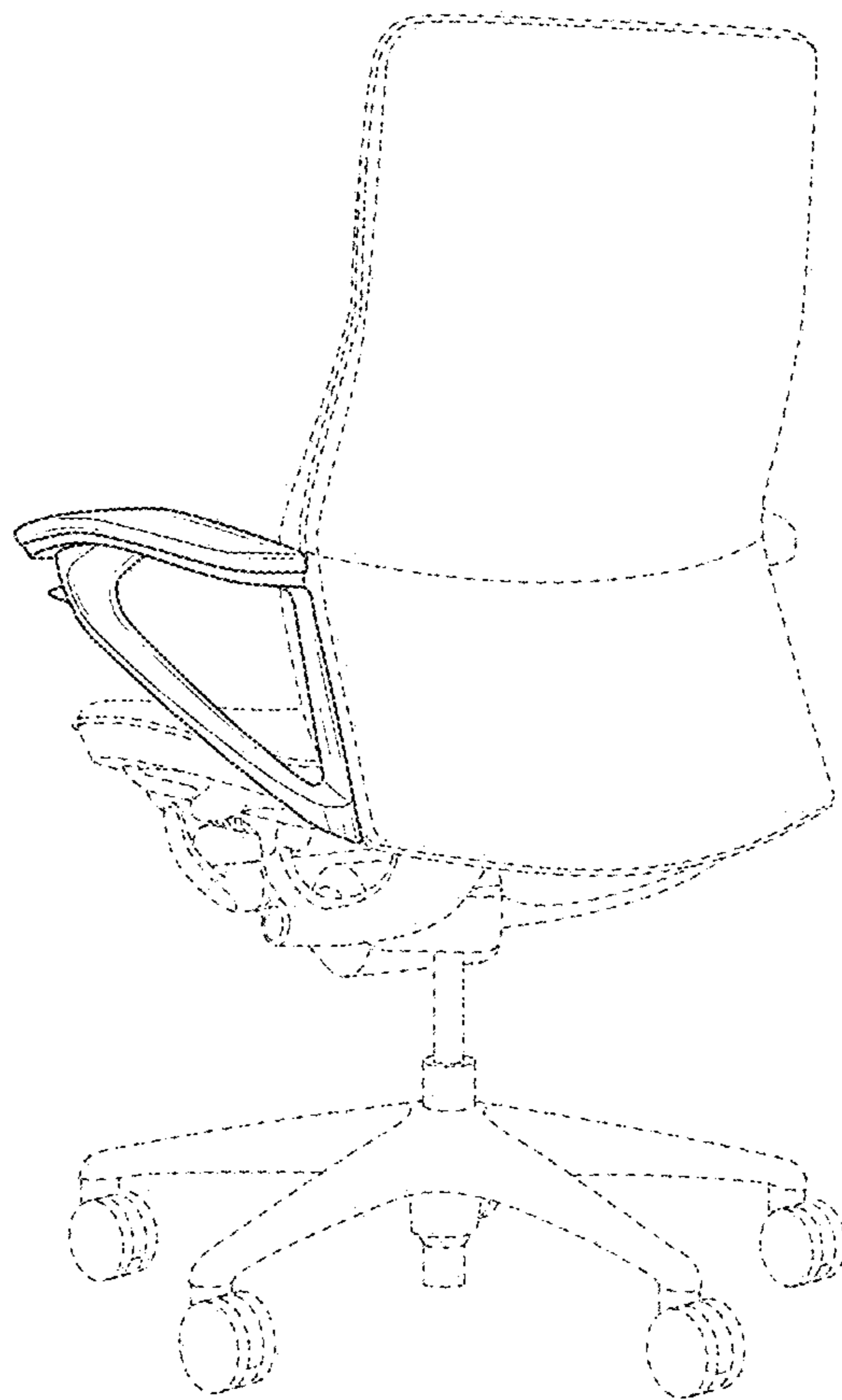


FIG. 3

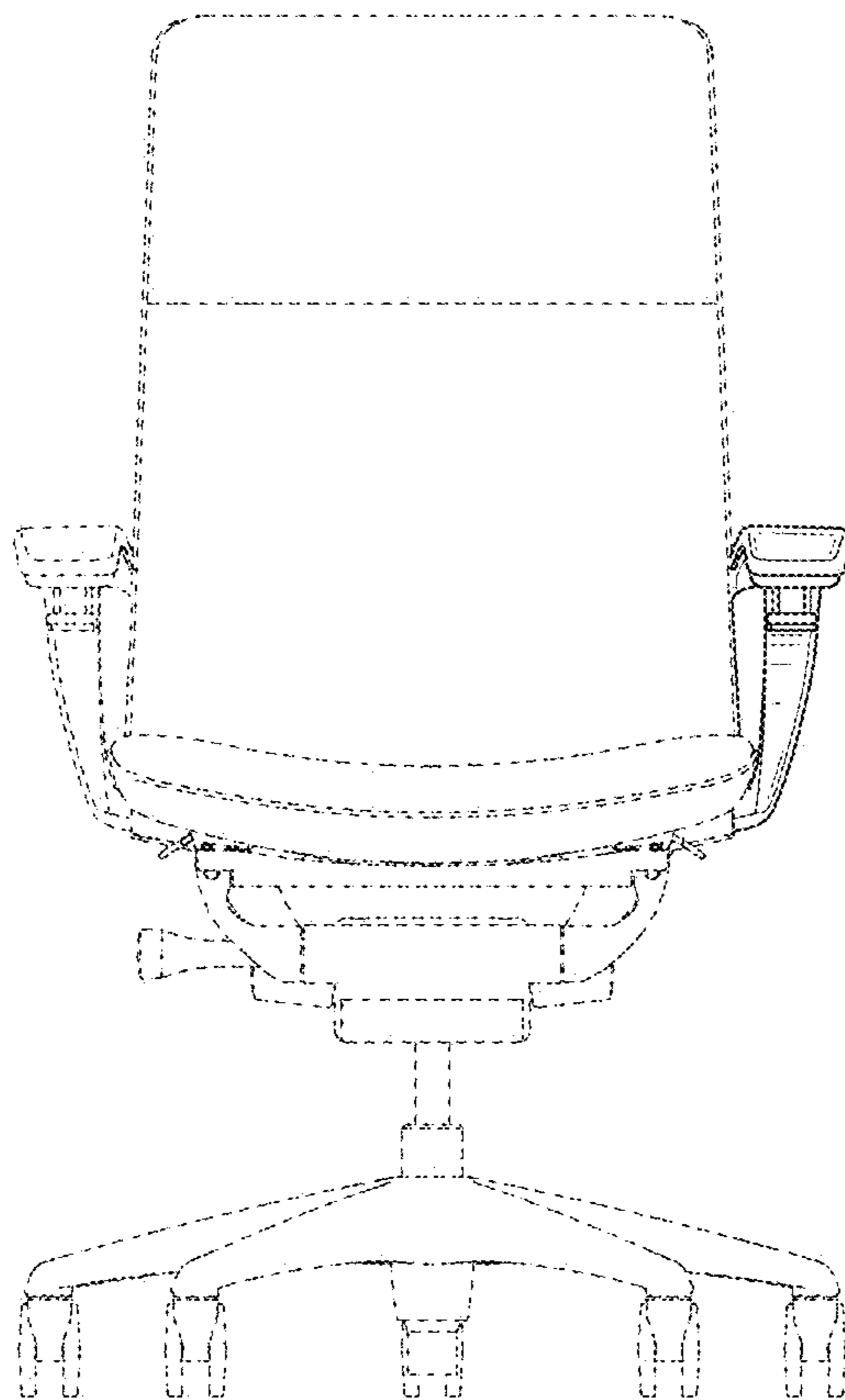


FIG. 4

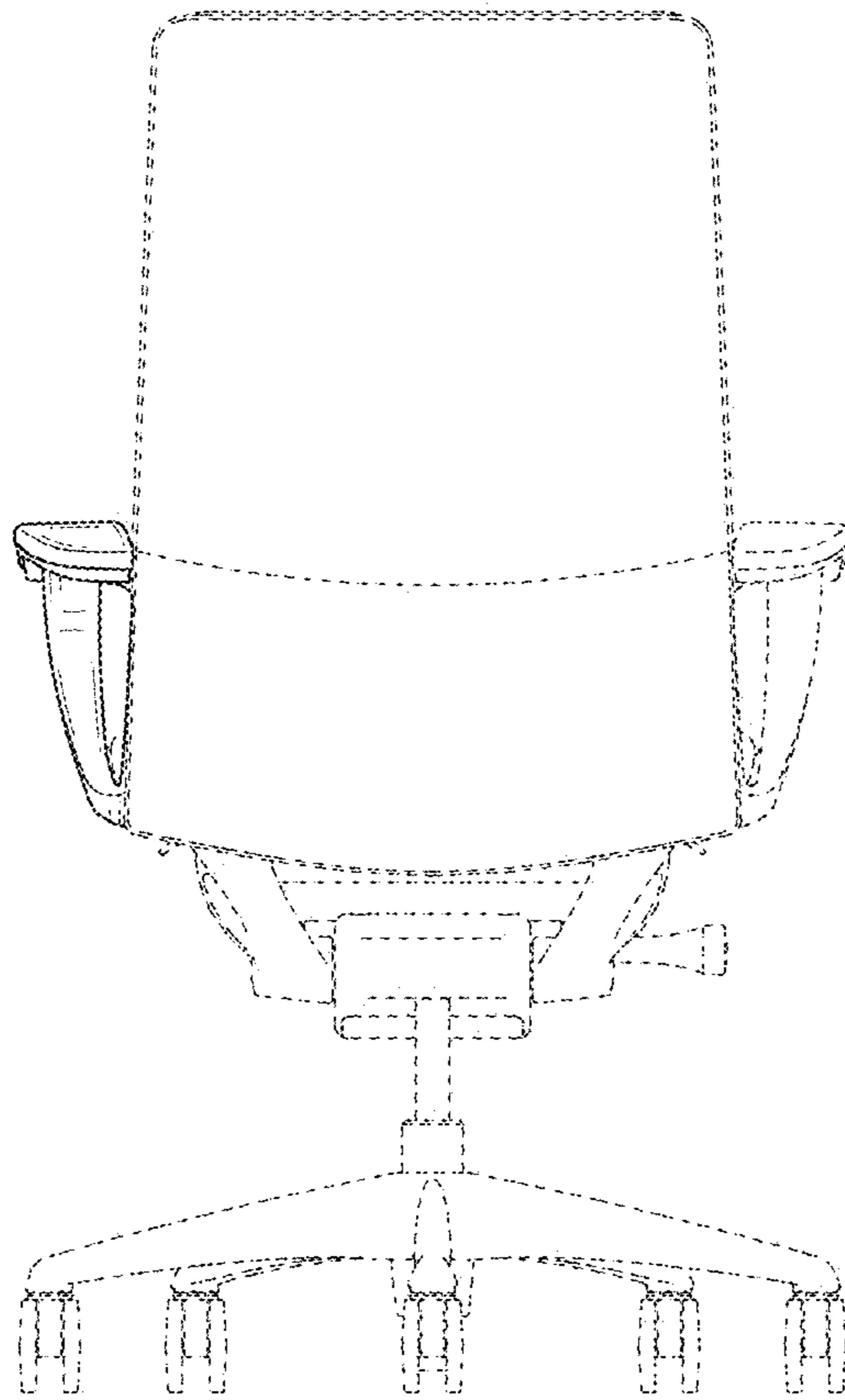


FIG. 5

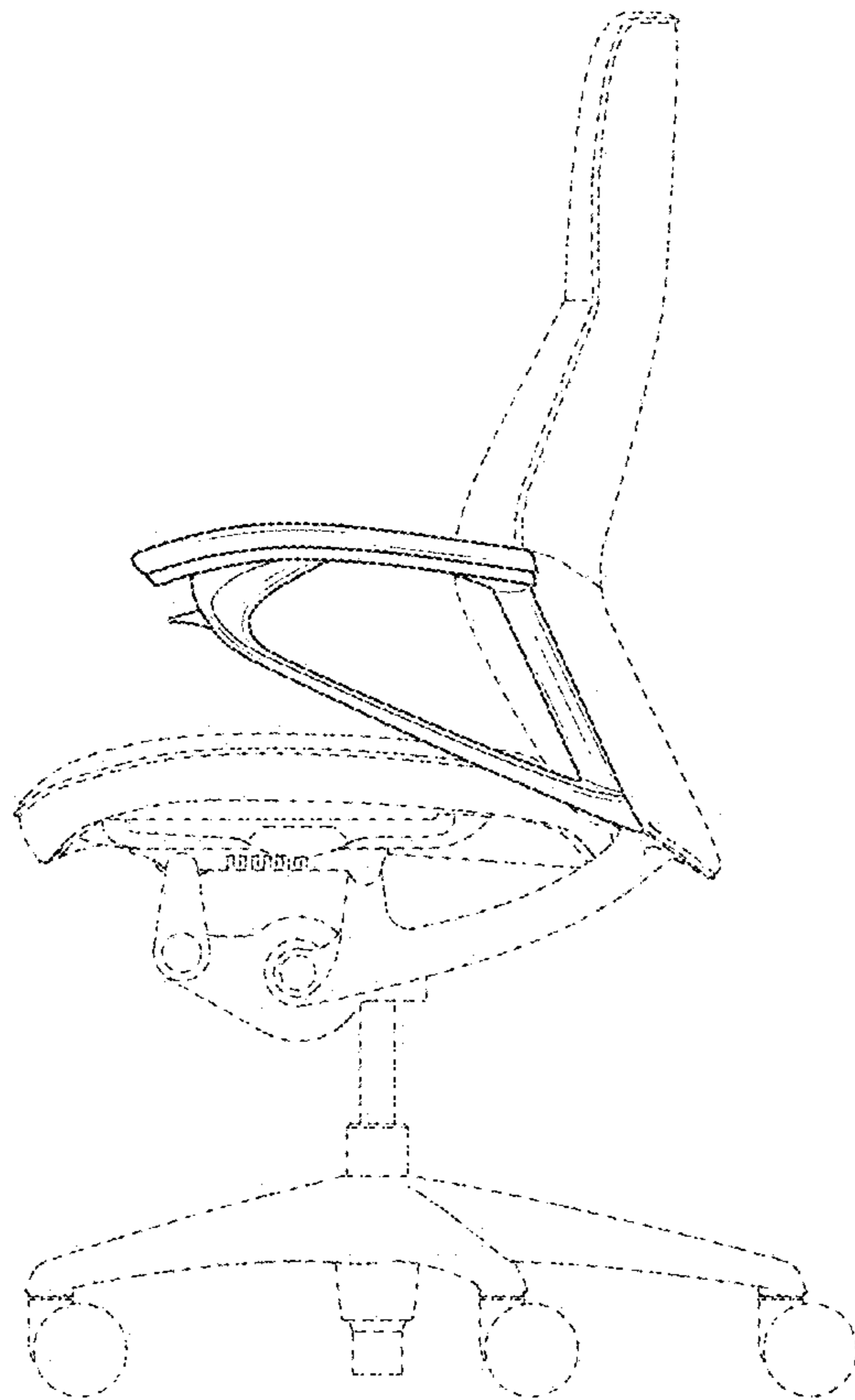


FIG. 6

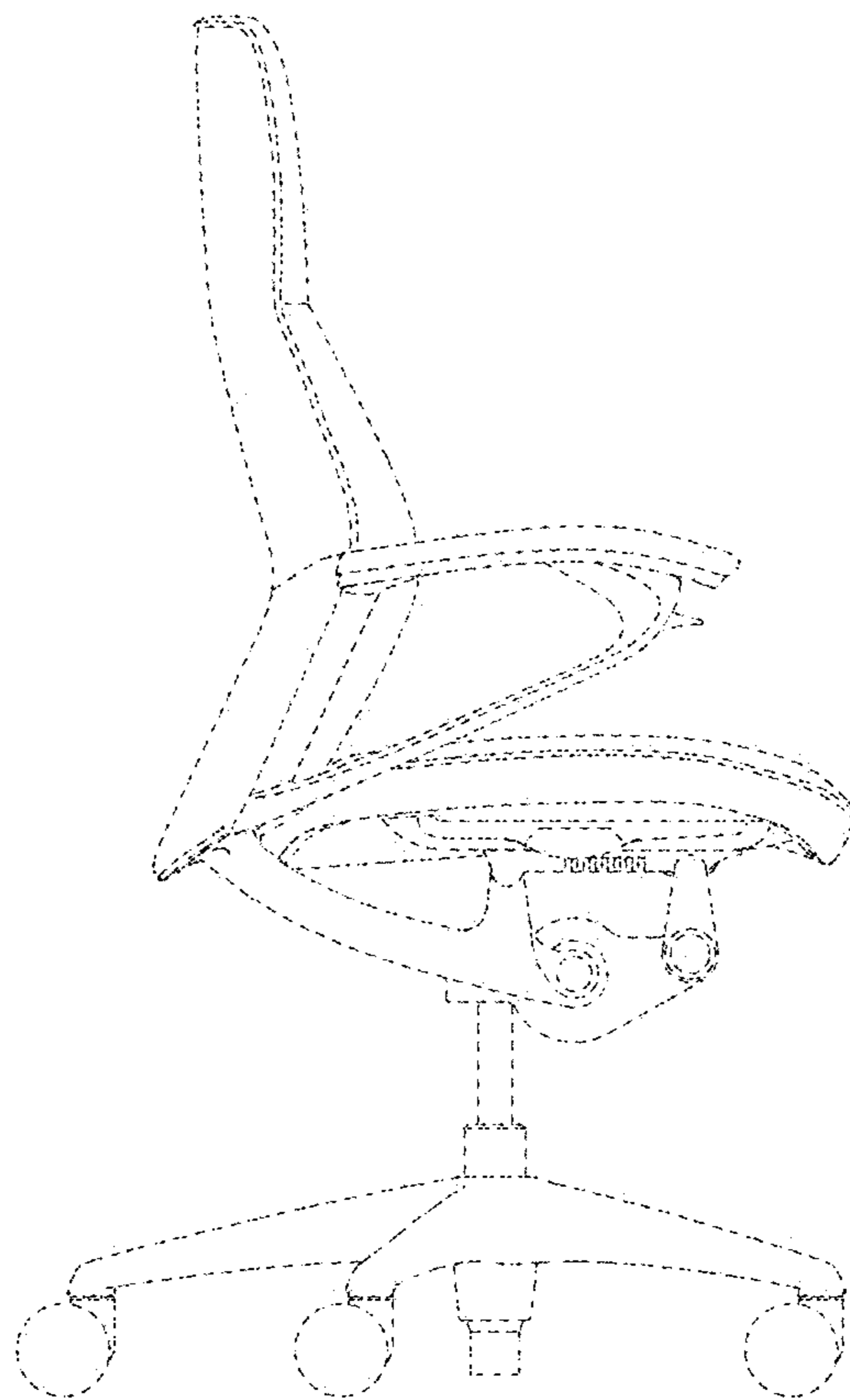


FIG. 7

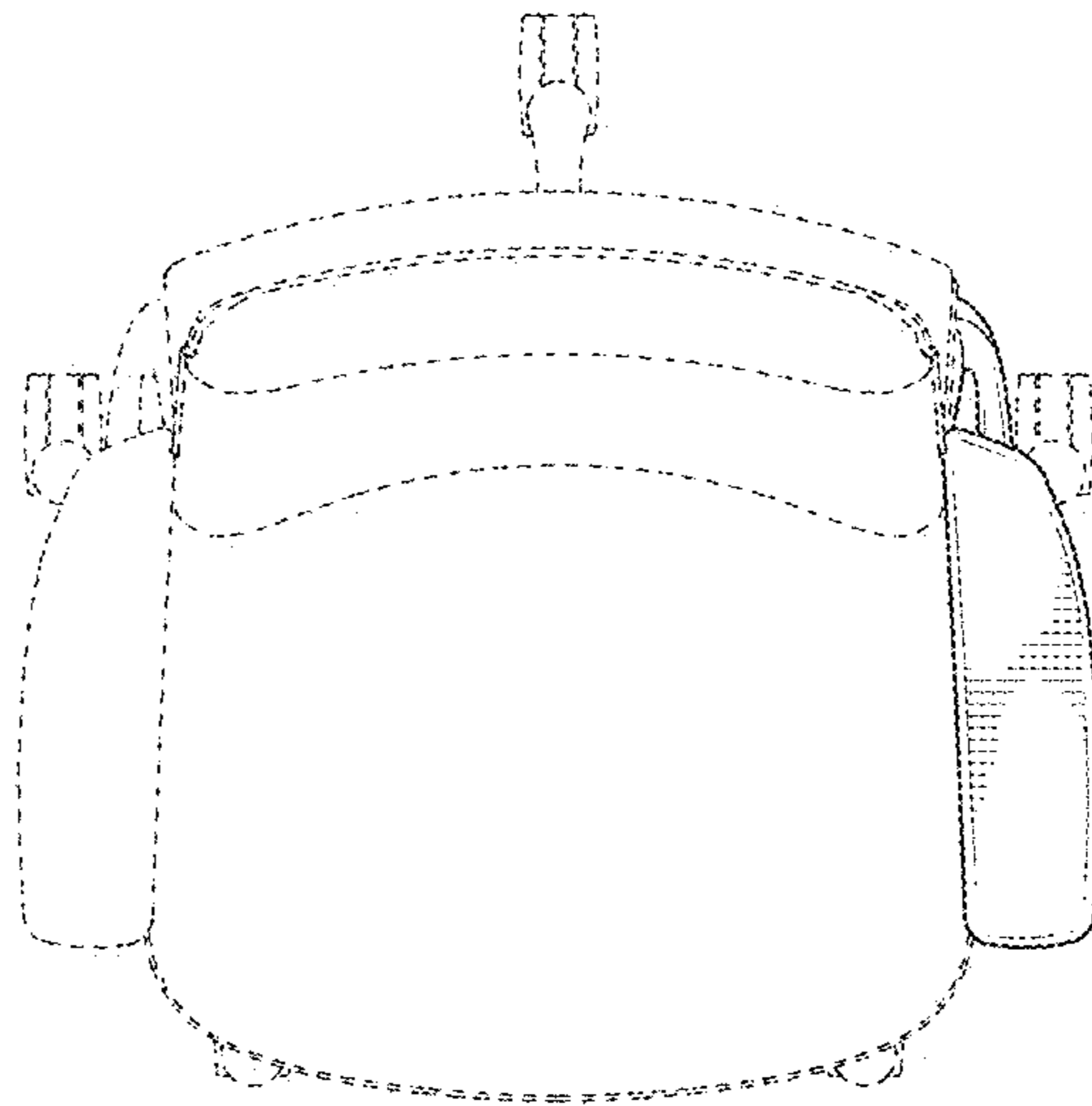




FIG. 8

