



US00D886500S

(12) **United States Design Patent**
Fukasawa et al.

(10) **Patent No.:** **US D886,500 S**
(45) **Date of Patent:** **** Jun. 9, 2020**

(54) **COMBINED TABLE AND POP UP POWER UNIT**

(71) Applicant: **HERMAN MILLER, INC.**, Zeeland, MI (US)

(72) Inventors: **Naoto Fukasawa**, Tokyo (JP); **Keiji Takeuchi**, Milan (IT)

(73) Assignee: **HERMAN MILLER, INC.**, Zeeland, MI (US)

(**) Term: **15 Years**

(21) Appl. No.: **29/650,875**

(22) Filed: **Jun. 11, 2018**

(51) **LOC (12) Cl.** **06-03**

(52) **U.S. Cl.**
USPC **D6/692; D13/139.1**

(58) **Field of Classification Search**
USPC D6/369, 644, 668, 672, 677, 685, 686, D6/687, 689, 692, 692.1–692.6, 696, 698, D6/702, 703.1, 707.18, 707.2, 708, D6/708.15, 708.17, 708.2, 708.23; D13/137.1, 139.1, 152, 158, 160, 162, D13/169
CPC A47B 7/00; A47B 11/00; A47B 13/12; A47B 3/08; A47B 3/0803; A47B 49/004; A47B 13/023; A47B 2013/024; A47B 2013/025; A47B 2013/026; A47B
(Continued)

(56) **References Cited**

U.S. PATENT DOCUMENTS

D93,968 S * 12/1934 Brower D6/692.3
2,811,574 A 10/1957 Guerrero
(Continued)

FOREIGN PATENT DOCUMENTS

WO 2006034513 3/2006
WO 2009037666 3/2009
WO 2010119406 10/2010

OTHER PUBLICATIONS

Electri-Cable Assemblies “Concept Pop-Up Units”<<http://www.electri-cable.com/ProductDetails.asp? ProductCode=CONCEPT%2DSC>> webpage accessed May 16, 2018.

(Continued)

Primary Examiner — Mary Ann Calabrese

Assistant Examiner — Catherine Ho

(74) *Attorney, Agent, or Firm* — Michael Best & Friedrich LLP

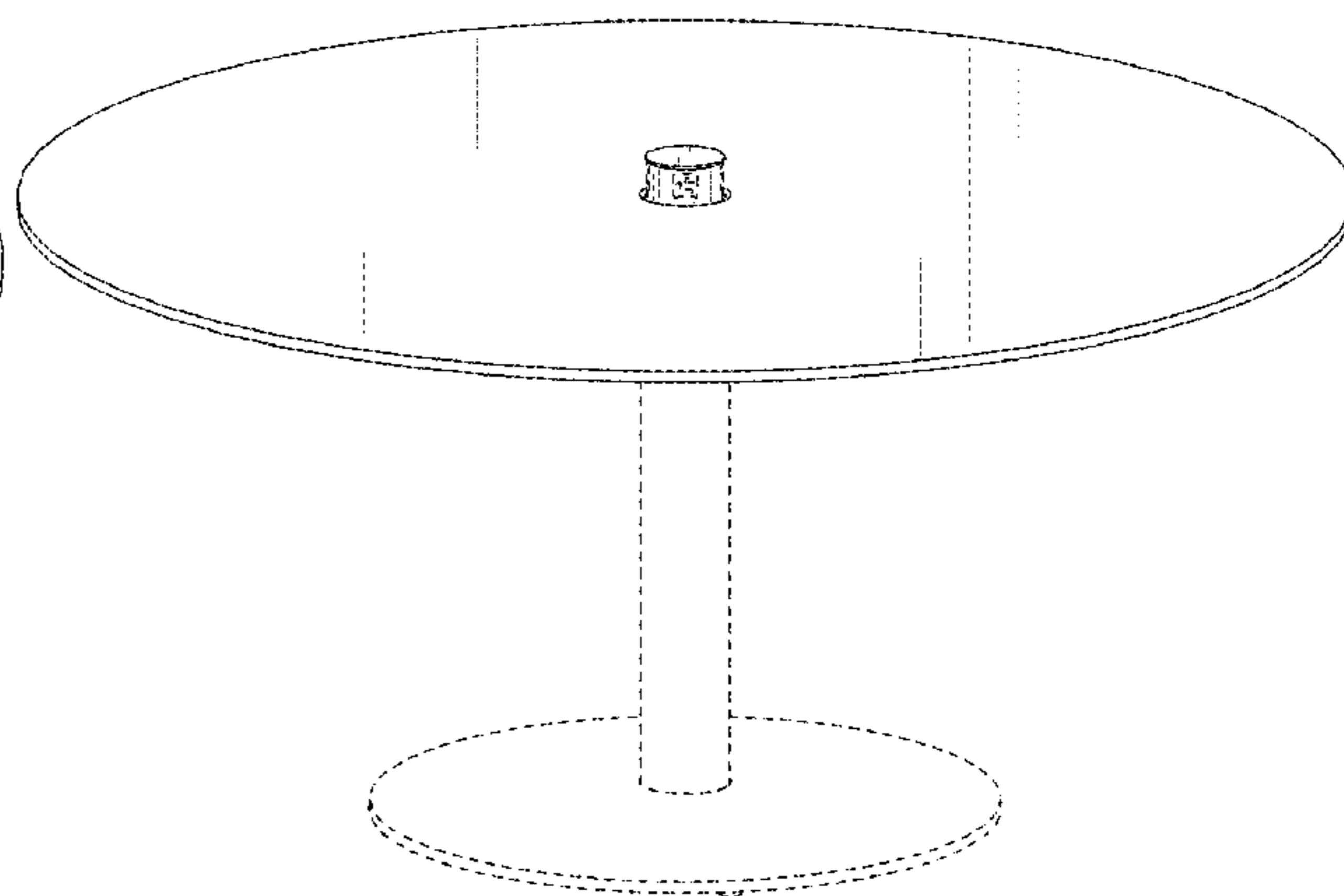
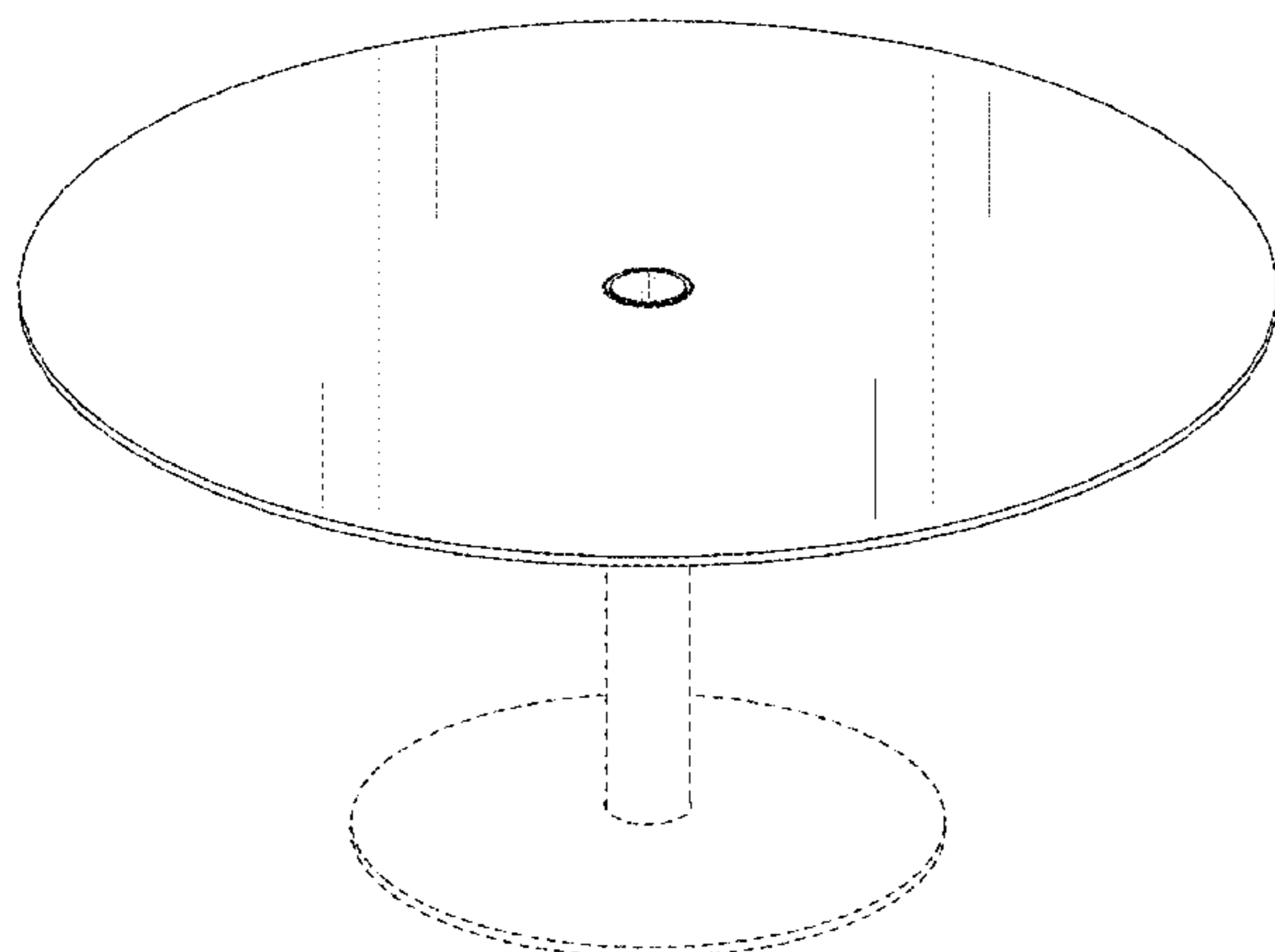
(57) **CLAIM**

We claim the ornamental design for a combined table and a pop-up power unit, as shown and described.

DESCRIPTION

FIG. 1 is a perspective view of a combined table and pop up power unit in a retracted position, showing our new design; FIG. 2 is a first side view of FIG. 1. FIG. 3 is a second side view of FIG. 1. FIG. 4 is a third side view of FIG. 1. FIG. 5 is a fourth side view of FIG. 1. FIG. 6 is a top view of FIG. 1. FIG. 7 is a bottom view of FIG. 1. FIG. 8 is a perspective view of a combined table and pop up power unit in an extended position; FIG. 9 is a first side view of FIG. 8. FIG. 10 is a second side view of FIG. 8. FIG. 11 is a third side view of FIG. 8. FIG. 12 is a fourth side view of FIG. 8. FIG. 13 is a top view of FIG. 8; and, FIG. 14 is a bottom view of FIG. 8. The broken line portion of the figure drawings is included to show portions of the article that form no part of the claimed design.

1 Claim, 14 Drawing Sheets



- (58) **Field of Classification Search**
 CPC 2013/027; A47B 13/086; H02G 3/185;
 H02G 3/0493; H01B 17/00; H01R
 25/006; H01R 13/44
 See application file for complete search history.

(56) **References Cited**

U.S. PATENT DOCUMENTS

2,811,575	A	10/1957	Guerrero	
3,646,244	A	2/1972	Cole	
3,794,956	A	2/1974	Dubreuil	
D236,301	S *	8/1975	Mudde	D6/692.3
4,511,198	A	4/1985	Mitchell et al.	
4,551,577	A	11/1985	Byrne	
D281,559	S *	12/1985	Murry	D6/692.4
4,747,788	A	5/1988	Byrne	
5,023,396	A	6/1991	Bartee et al.	
5,351,173	A	9/1994	Byrne	
D353,363	S	12/1994	Toby	
5,575,668	A	11/1996	Timmerman	
5,755,582	A	5/1998	Charlton	
D409,980	S *	5/1999	Byrne	D13/137.1
5,954,525	A	9/1999	Siegal et al.	
6,046,405	A	4/2000	Obermann	
6,234,812	B1	5/2001	Ivers et al.	
6,416,336	B1	7/2002	Schulte et al.	
7,163,409	B1	1/2007	Chen et al.	
7,285,733	B2	10/2007	Bowman	
7,605,330	B1	10/2009	Black et al.	
7,626,120	B1	12/2009	Golden et al.	
D608,120	S *	1/2010	Smith	D6/692.3
7,674,119	B1	3/2010	McCarthy	
D614,574	S *	4/2010	Thommes	D13/139.1
8,074,581	B2	12/2011	Epstein et al.	
8,287,292	B2	10/2012	Byrne	
8,348,683	B2	1/2013	Row	
D675,986	S *	2/2013	Zanoni	D13/139.1
D714,726	S *	10/2014	Byrne	D13/137.1
9,614,336	B2	4/2017	Los et al.	
9,614,338	B2	4/2017	Alexander et al.	
D788,046	S *	5/2017	Oksengendler	D13/162
9,635,931	B2	5/2017	Mandon et al.	
D800,663	S	10/2017	Schulte et al.	
2002/0126499	A1 *	9/2002	Bender	A47B 13/12 362/551
2005/0046315	A1	3/2005	Doane et al.	
2008/0001510	A1	1/2008	Gershfeld	
2009/0000529	A1 *	1/2009	Cheng	A47B 13/023 108/157.1
2015/0009652	A1	1/2015	Alexander et al.	
2015/0223597	A1 *	8/2015	Albanese	A47B 1/00 108/90
2017/0063009	A1	3/2017	Los et al.	
2017/0373430	A1	12/2017	Mortun	
2018/0048086	A1	2/2018	Eiden et al.	
2018/0279792	A1 *	10/2018	Casilio	A47B 13/08

OTHER PUBLICATIONS

Schulte Elektrotechnik “EVOLine Port” <<http://www.evoline.com/en/products/evoline-profiles/office/port.html>> webpage accessed Aug. 16, 2018.

“EVOLine Port Push” Brochure, Schulte Elektrotechnik GmbH & Co. KG <http://www.evoline.com/uploads/media/EVOLine_PortPush.pdf> webpage accessed Jun. 20, 2018.

“Fulton Innovation Partners with Electri-Cable Assemblies to Announce Wireless Power Integration in New Power Base: ECA’s Wireless Villa(TM) Brings Wireless and Traditional Power Capabilities to a Variety of Surfaces” PR Newswire, Nov. 2, 2011.

Häfele America Shop “Pop-Up Power Station, AC, USB 2.1A” <<https://www.hafele.com/us/en/product/pop-up-power-station-ac-usb-2.1a/0000006e0002abe300030023/>> webpage accessed Aug. 16, 2018.

Häfele America Shop “SensioPod Vertical Powerdock, 3 Outlets, 2 USB Ports, Splashproof” <<https://www.hafele.com/us/en/product/sensiopod-vertical-powerdock-3-outlets-2-usb-ports-splashproof/> . . . > webpage accessed Aug. 16, 2018.

Houzz “Lew Electric Pop Up Kitchen Outlet With USB Charger, Stainless Steel” <<https://www.houzz.com/product/62447600-lew-electric-pop-up-kitchen-outlet-with-usb-charger-stainless-steel-contemporary-storage-and-oganization>> webpage accessed May 16, 2018.

Legrand “Pop-Out™ Outlet, 15A, 1-Gang, White” <<https://www.legrand.us/adome/products/outlets/arptr151gw2.aspx>> webpage accessed May 16, 2018.

Lew Electric Fittings Company “PUR15-S” <<http://www.lewelectric.com/catalog/pur-15-s>> webpage accessed Aug. 16, 2018.

Doug Mockett & Company, Inc. “PCS39/EE/HW—Pop Up Convenience Outlet—2 Electric (Hardwire Version)” <<https://www.mockett.com/power-communication-systems/pop-up-hideaway-collection/pcs39-ee-hw.html>> webpage accessed Aug. 16, 2018.

Doug Mockett & Company, Inc. “Kitchen Power” <<https://www.mockett.com/power-communication-systems/kitchen-power>> webpage accessed May 16, 2018.

Doug Mockett & Company, Inc. “PCS77A-23G—Pop-Up Kitchen™ Grommet 20A” <<https://www.mockett.com/power-communication-systems/kitchen-power/pcs77a-23g.html>> webpage accessed May 16, 2018.

Doug Mockett & Company, Inc. “PCS27A—Hidden Power Grommet, 3 Power” <<https://www.mockett.com/power-communication-systems/pop-up-hideaway-collection/pcs27a.html>> webpage accessed Aug. 16, 2018.

Doug Mockett & Company, Inc. “PCS6/DE/M-90—Power Pylon, 1 Data and 1 Electric” <<https://www.mockett.com/power-communication-systems/pop-up-hideaway-collection/pcs6-de-m-90.html>> webpage accessed Aug. 16, 2018.

Power Logic SA (Pty) Ltd “PDO Mk1” <<https://www.powerlogic.net/pdo-mk1-kitchen-power-solution/>> webpage accessed May 16, 2018.

Power Logic SA (Pty) Ltd “PDO Mk2” <<https://www.powerlogic.net/powerdock-mk2/>> webpage accessed May 16, 2018.

Power Logic SA (Pty) Ltd “Gemini” <<https://www.powerlogic.net/gemini-pop-up-powerdock/>> webpage accessed Aug. 16, 2018.

Power Logic SA (Pty) Ltd “PDV” <<https://www.powerlogic.net/pdv-power-unit/>> webpage accessed Aug. 16, 2018.

Power Logic SA (Pty) Ltd “SOHO Mk1” <<https://www.powerlogic.net/soho-mk1-home-office/>> webpage accessed Aug. 16, 2018.

Herman Miller, Locale table images, prototypes of tables shown at the NeoCon furniture show in Jun. 2013, (6 pages).

* cited by examiner

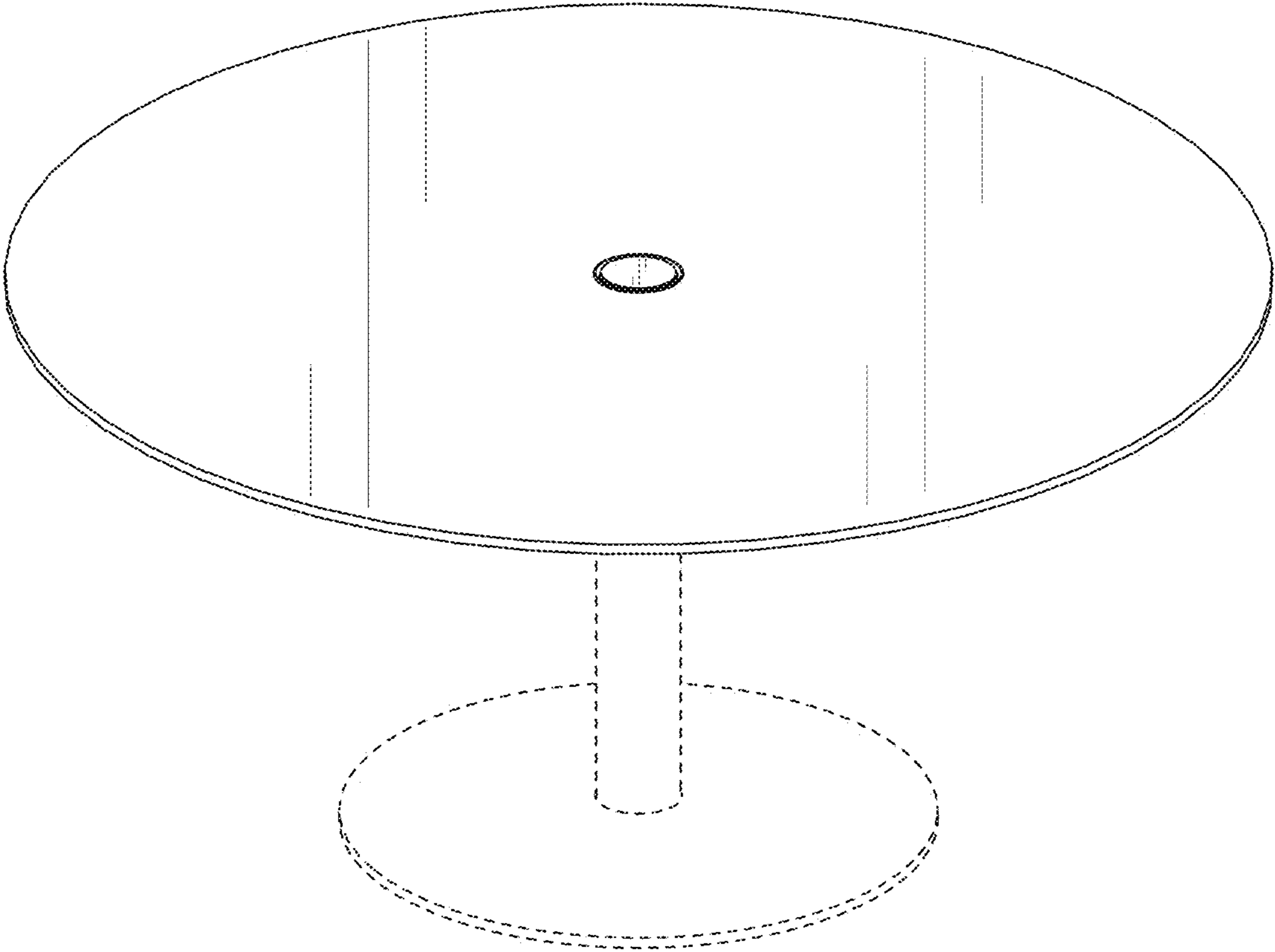


FIG. 1

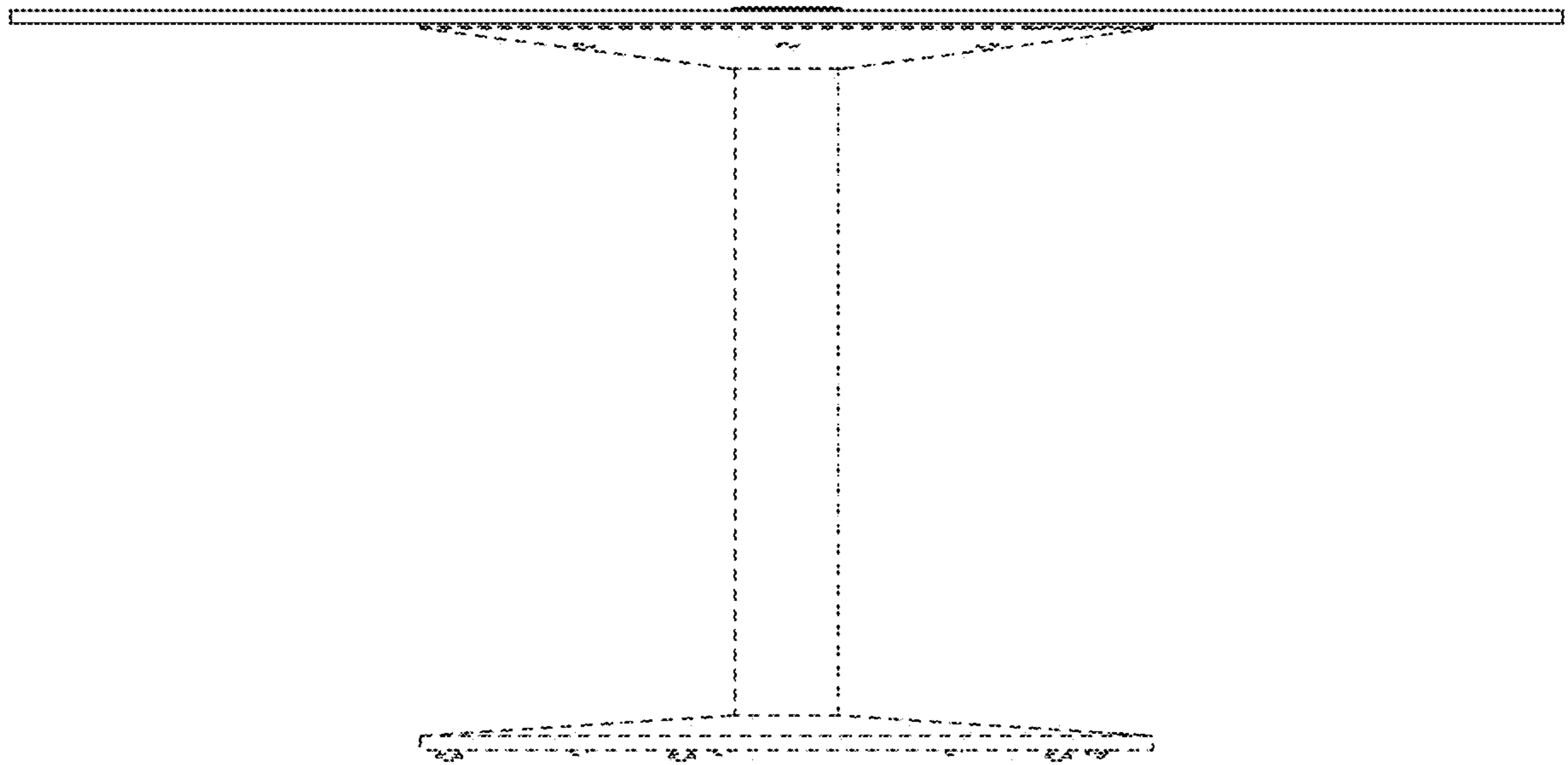


FIG. 2

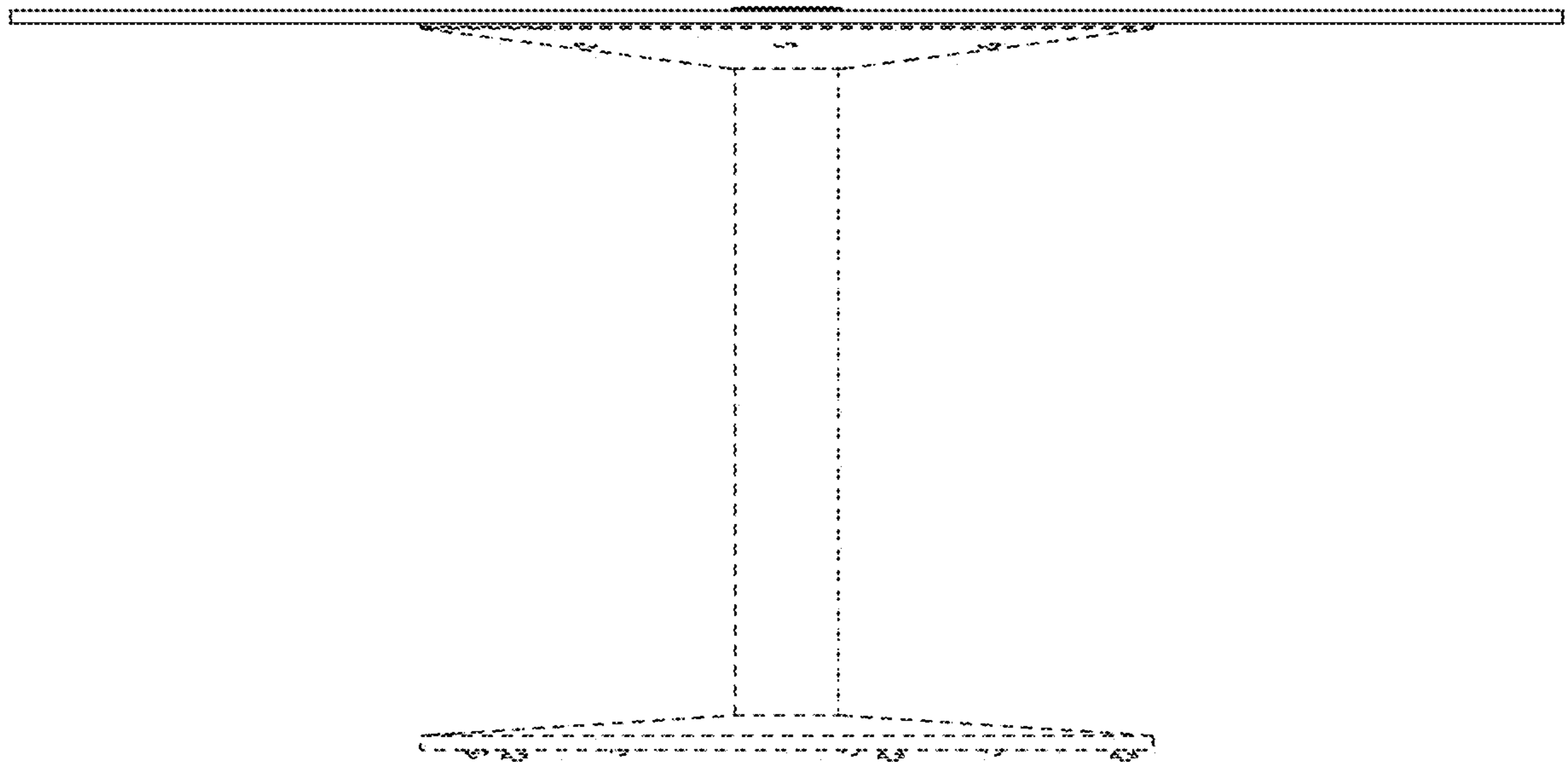


FIG. 3

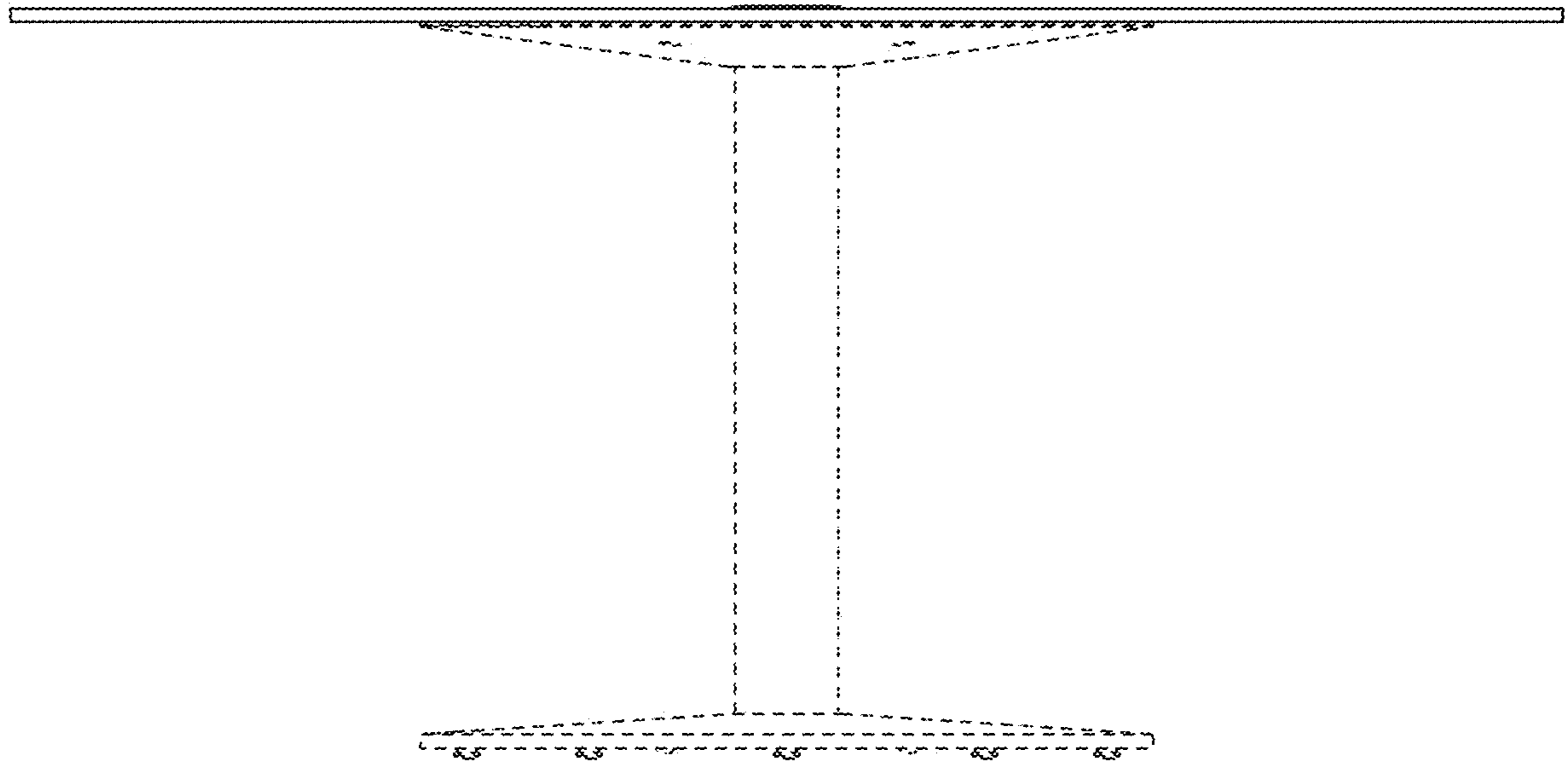


FIG. 4

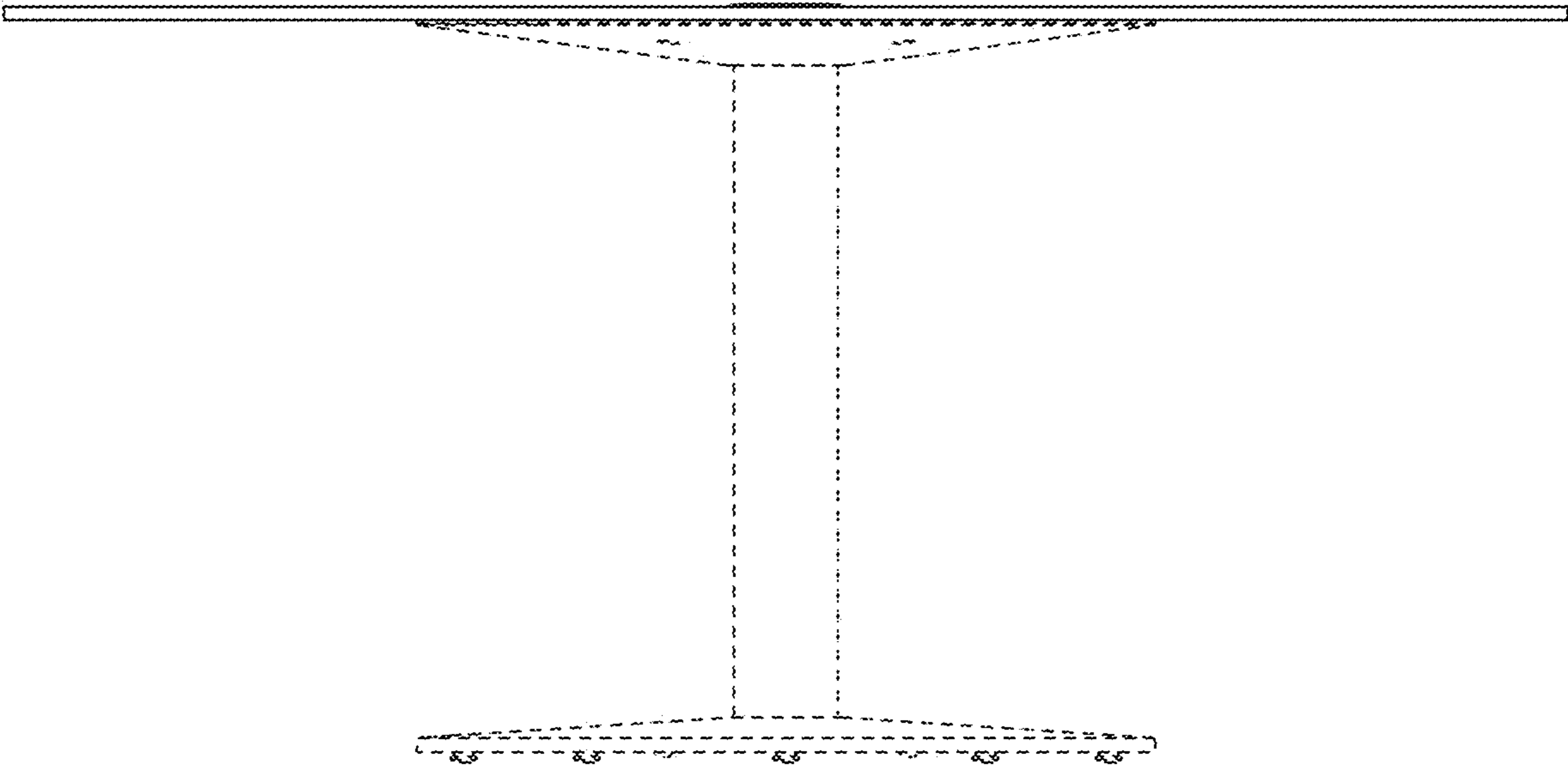


FIG. 5

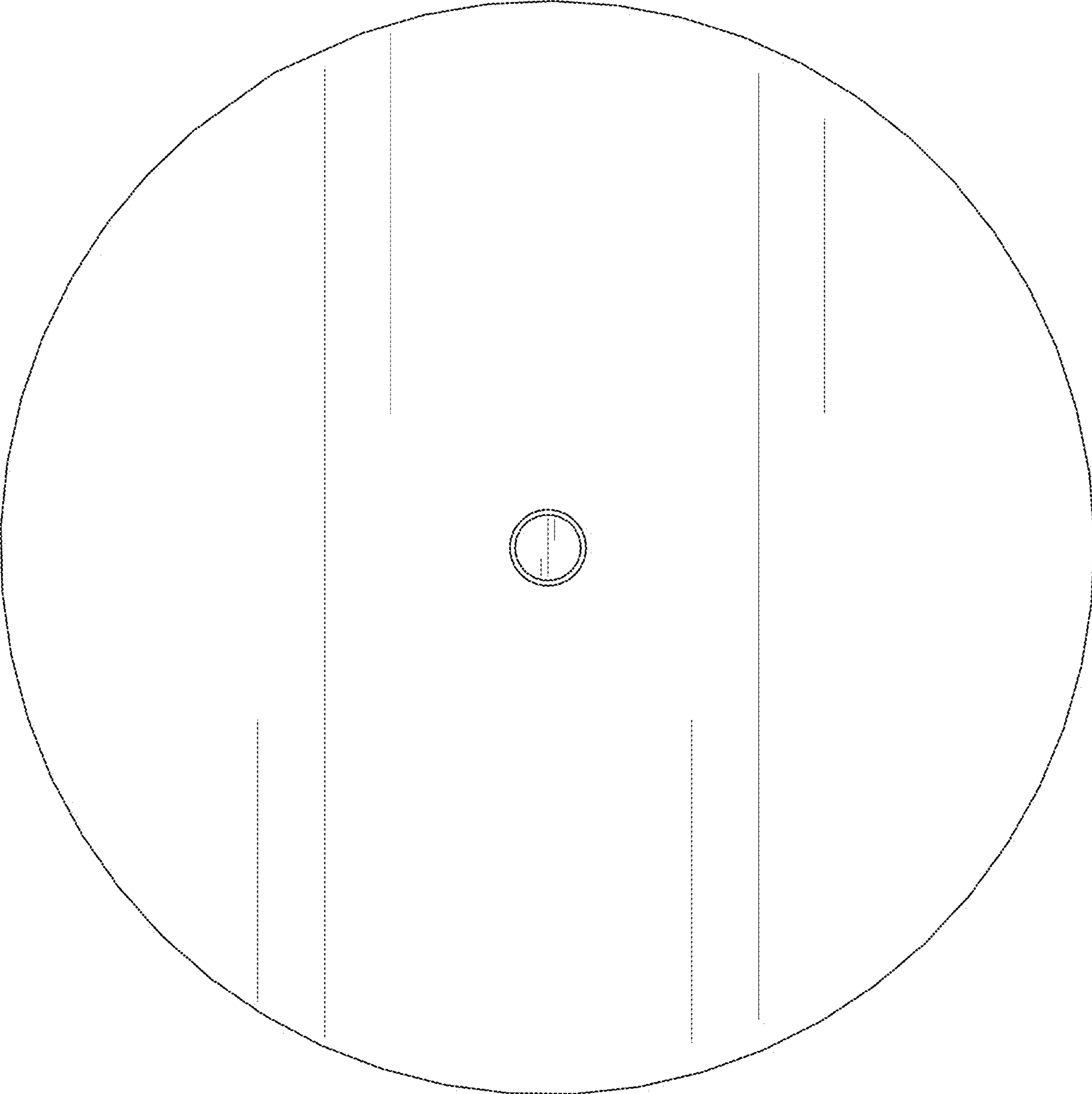


FIG. 6

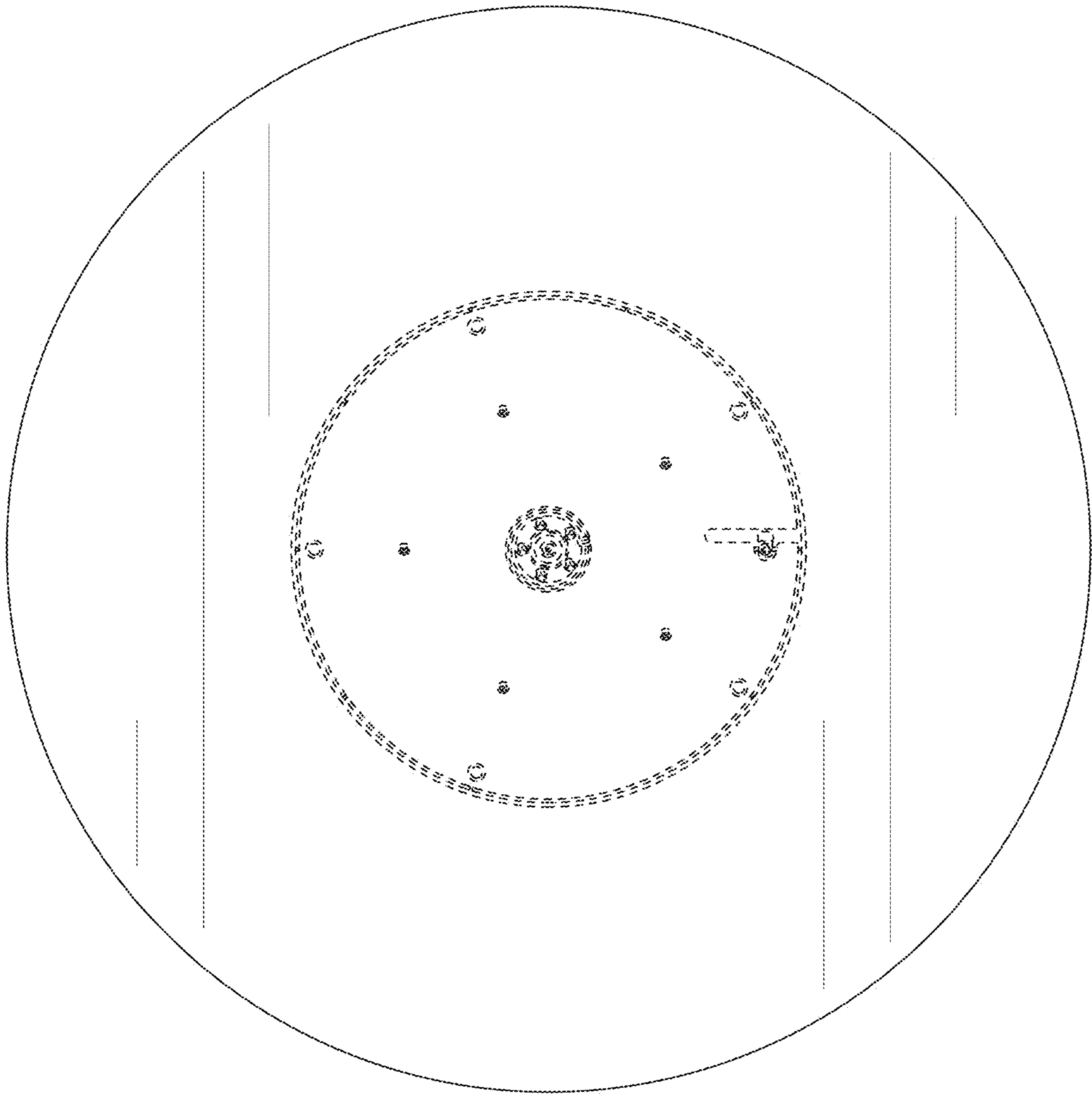


FIG. 7

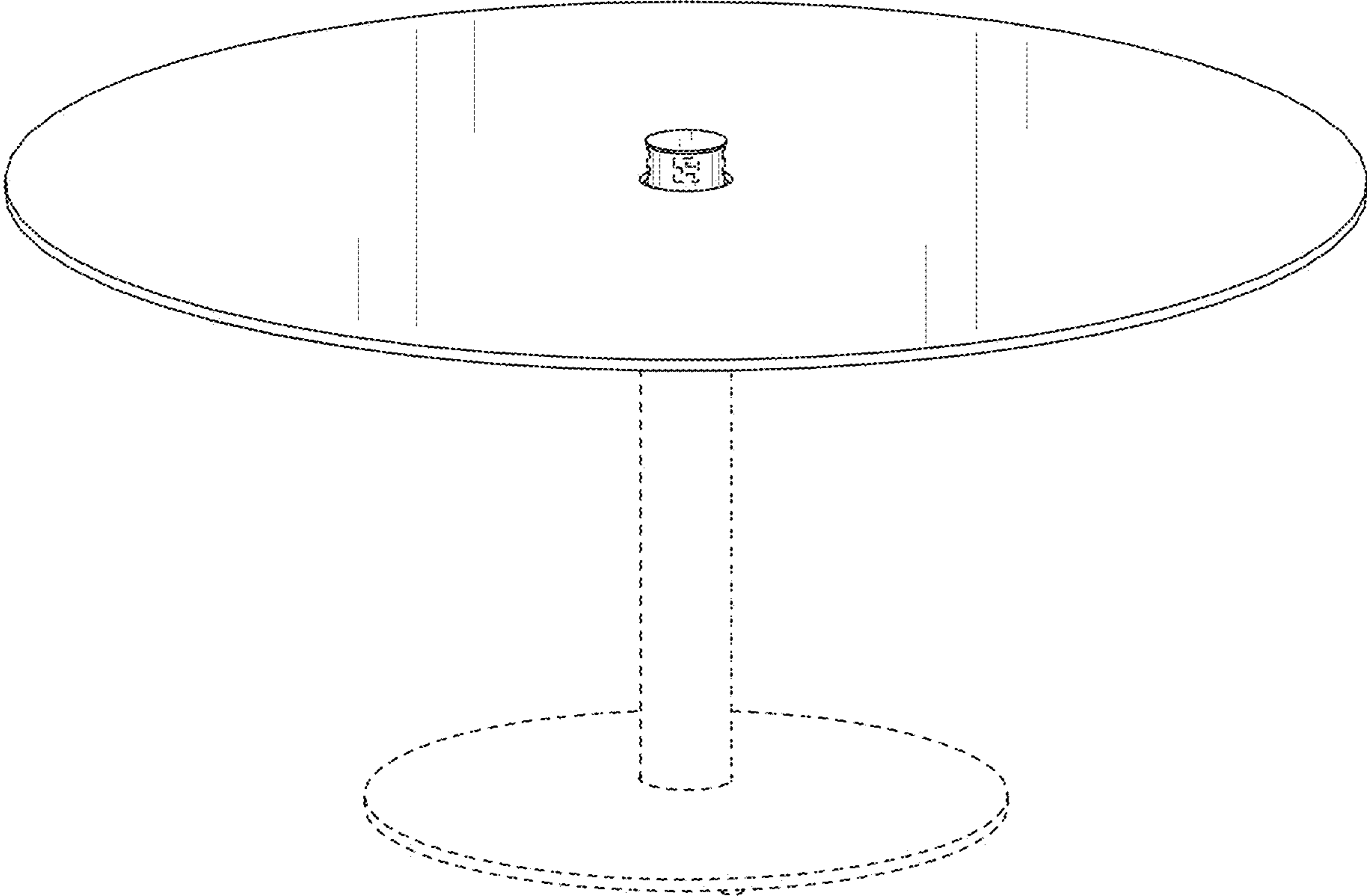


FIG. 8

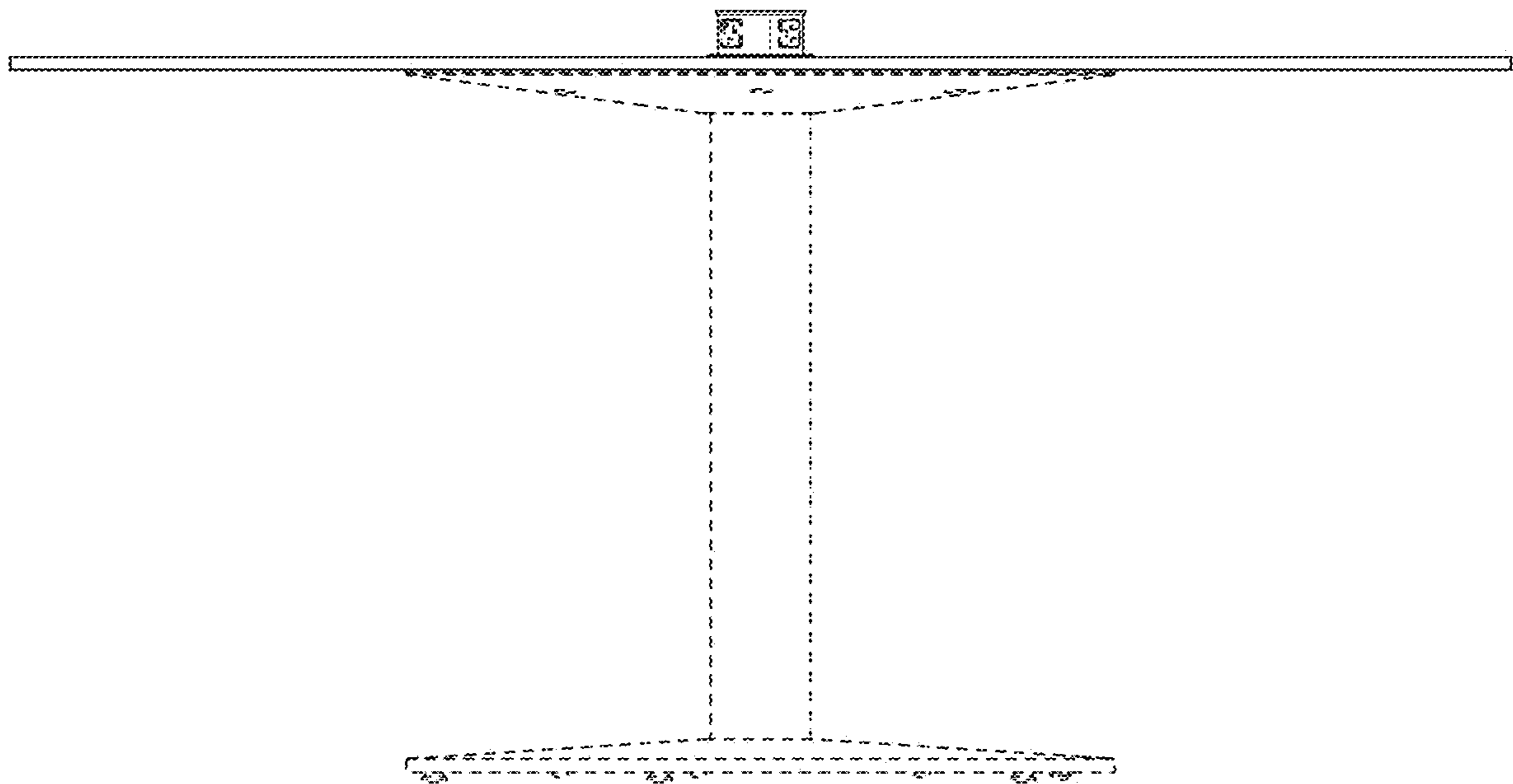


FIG. 9

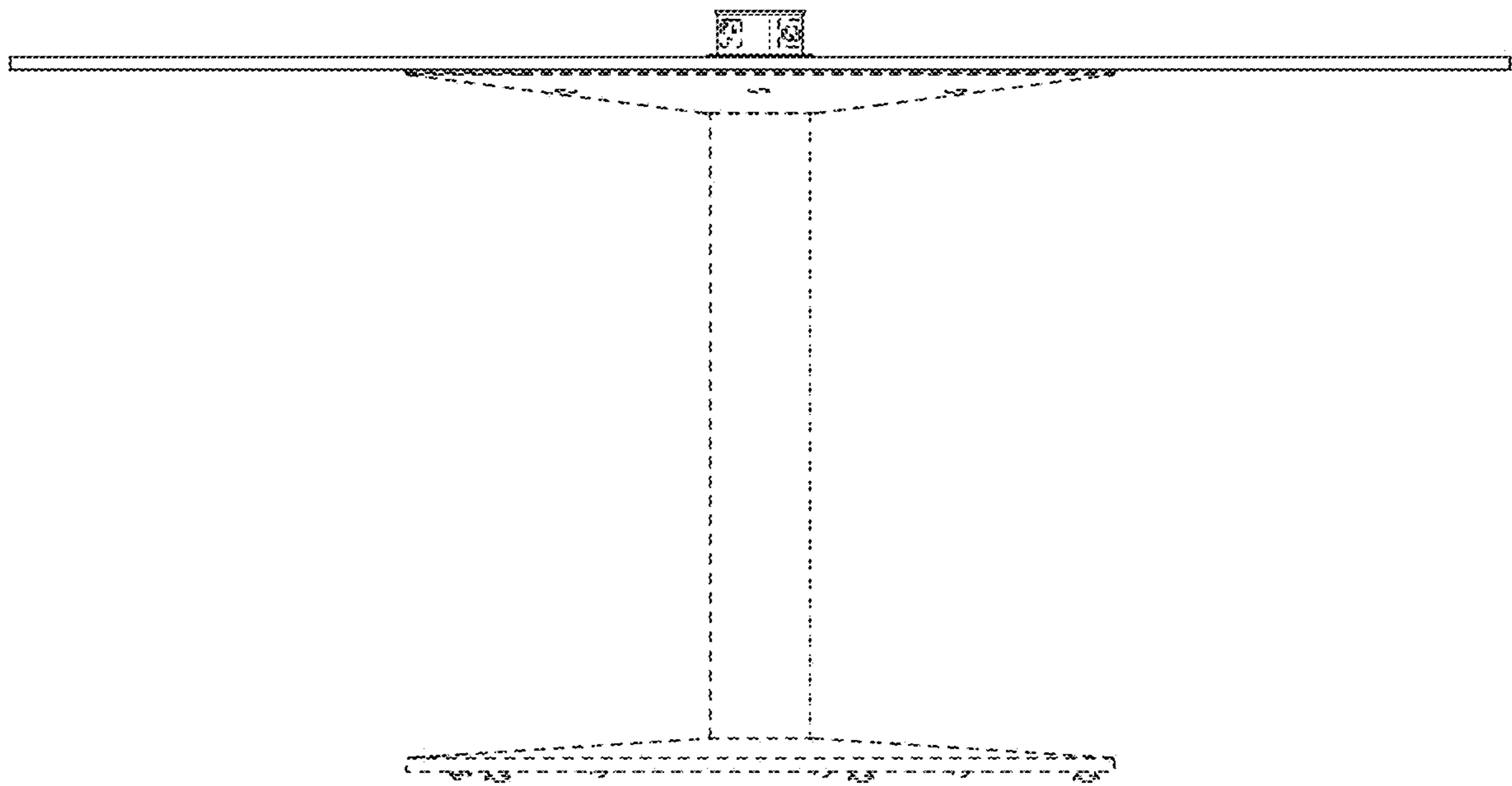


FIG. 10

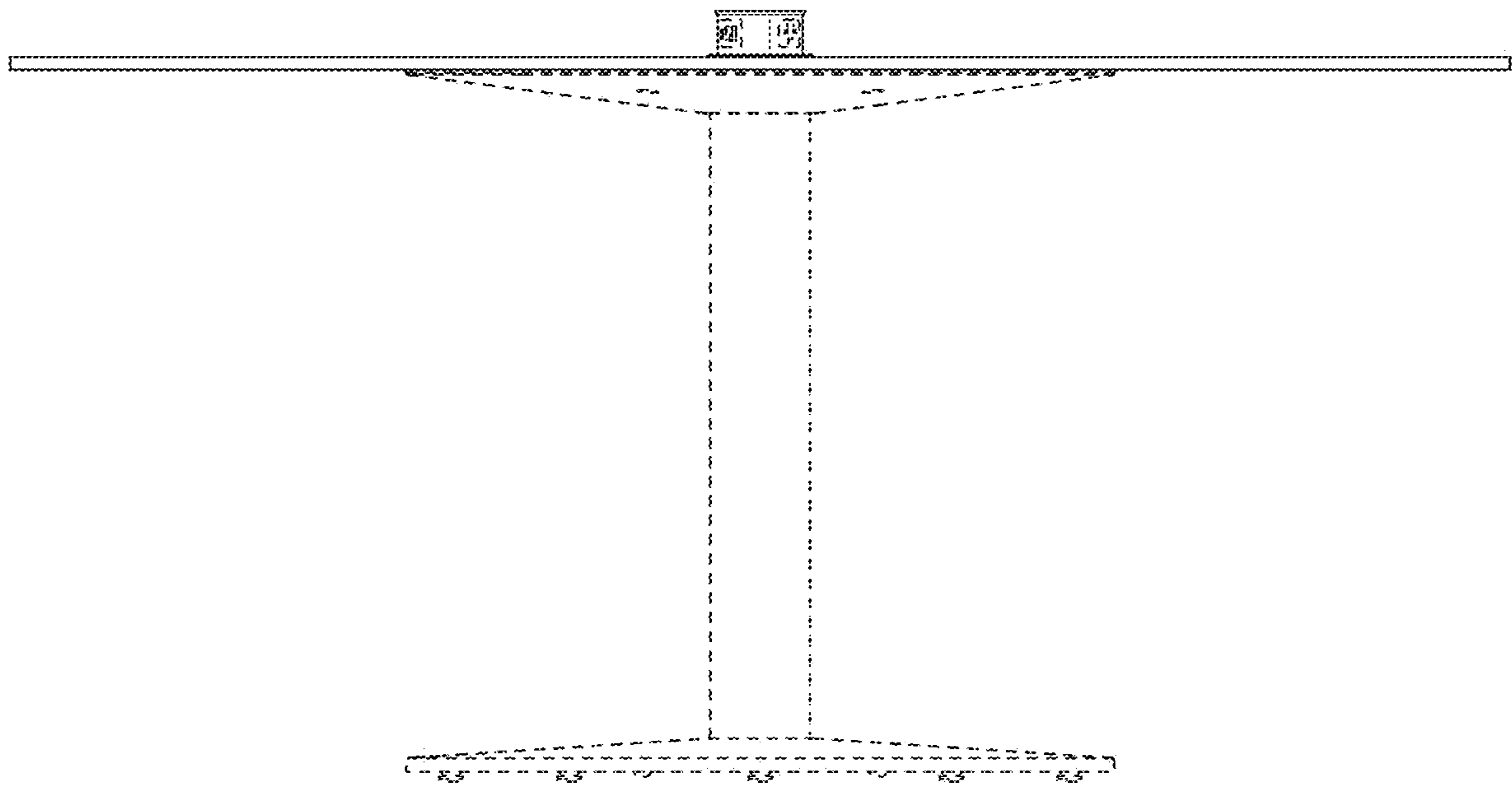


FIG. 11

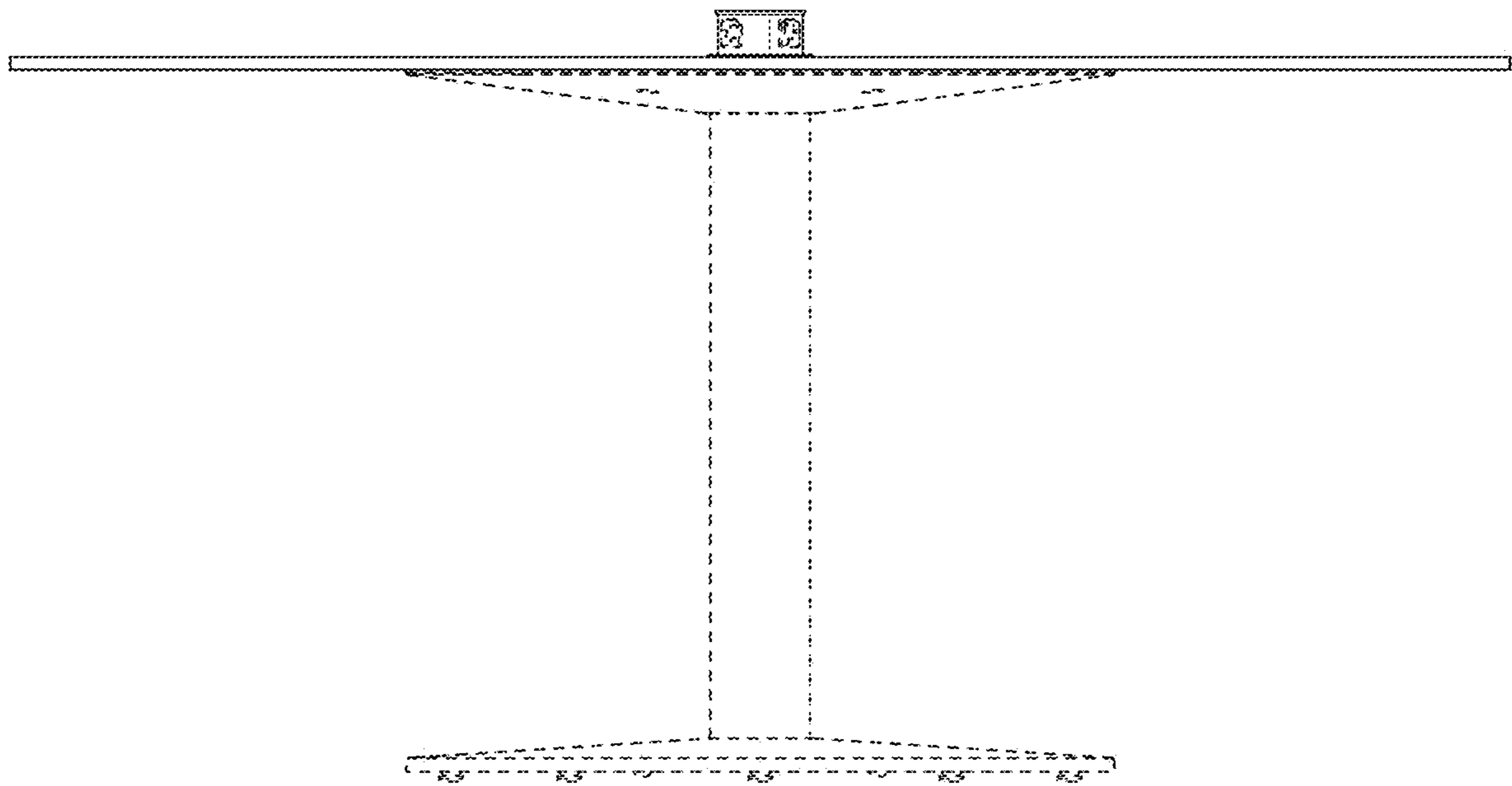


FIG. 12

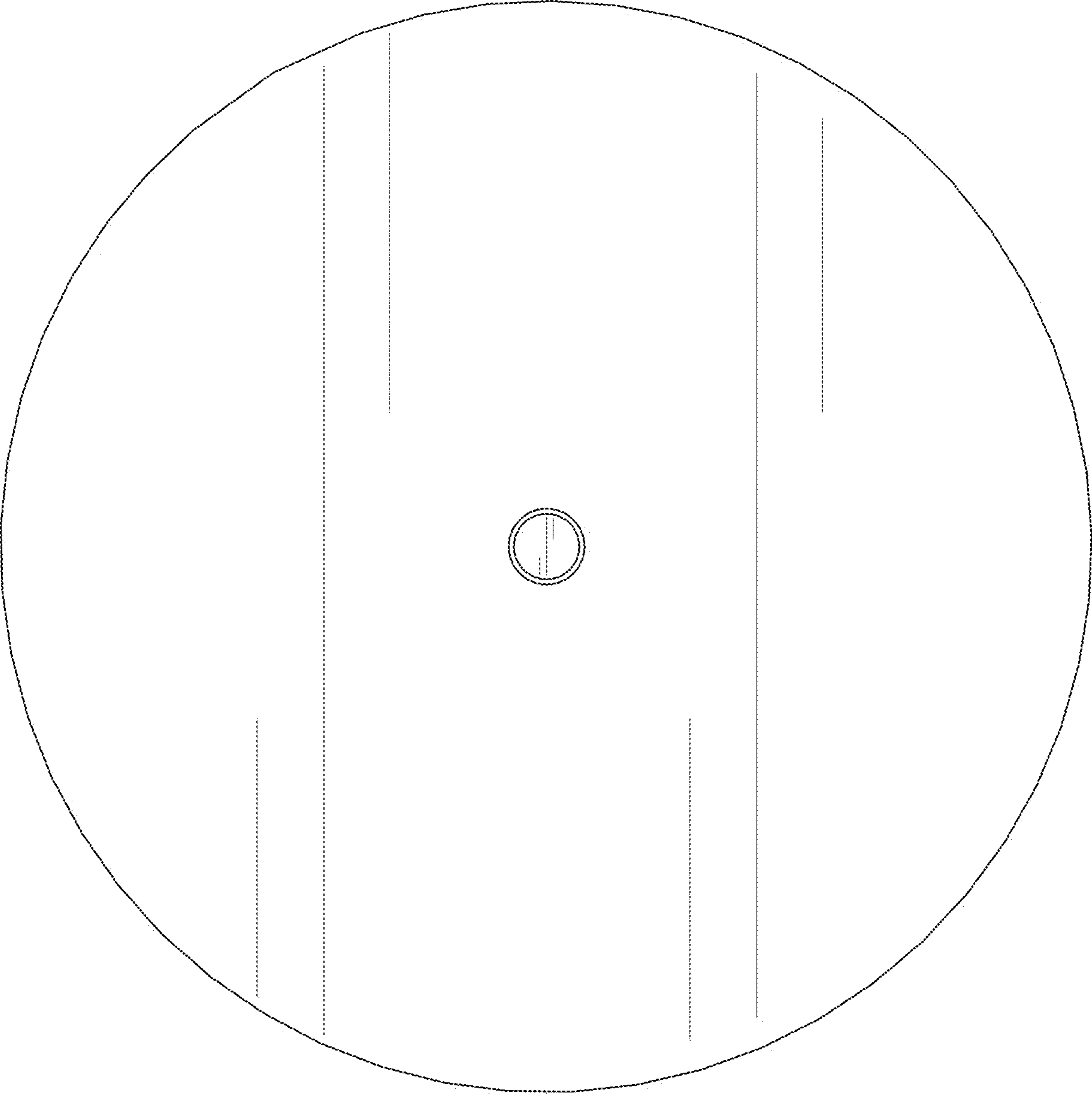


FIG. 13

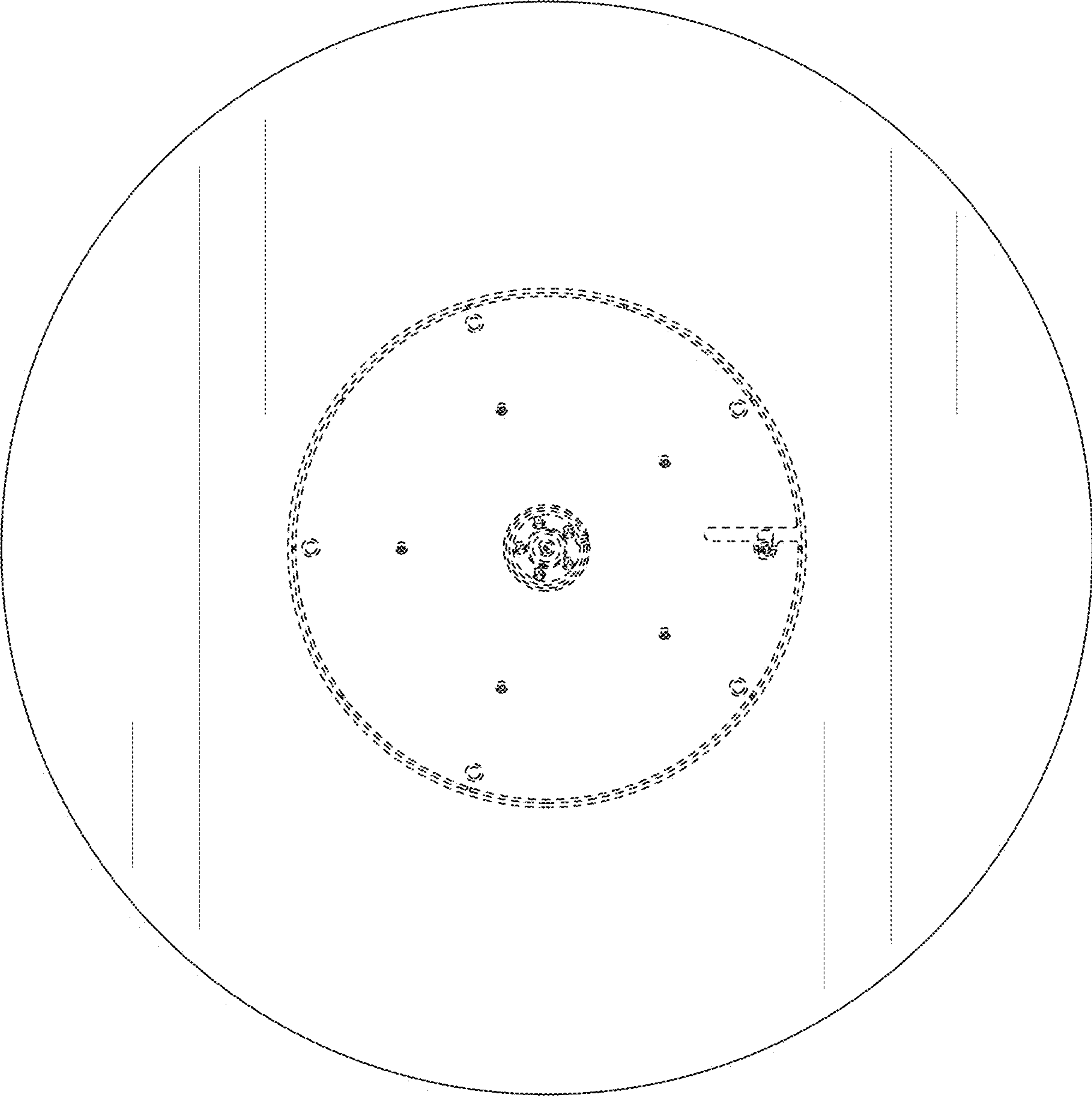


FIG. 14