



US00D886498S

(12) **United States Design Patent** (10) **Patent No.:** **US D886,498 S**
Ferri et al. (45) **Date of Patent:** **** Jun. 9, 2020**

(54) **TRIM TABLE ASSEMBLY**
(71) Applicants: **Joseph Benjamin Ferri**, Portland, ME
(US); **Mark Kazilionis**, Westbrook, ME
(US)
(72) Inventors: **Joseph Benjamin Ferri**, Portland, ME
(US); **Mark Kazilionis**, Westbrook, ME
(US)

D382,424 S * 8/1997 Lenger D6/691.3
D398,453 S * 9/1998 Stead D6/349
D436,763 S * 1/2001 Balolia D6/349
D690,543 S * 10/2013 Meissner D6/690
D775,486 S * 1/2017 Seniff D6/691.5
D828,061 S * 9/2018 Davis D6/691.3
D856,051 S * 8/2019 Seniff D6/691.5
2015/0283574 A1 * 10/2015 Waterston B05B 13/0285
269/55

(**) Term: **15 Years**

(21) Appl. No.: **29/668,449**

(22) Filed: **Oct. 30, 2018**

Related U.S. Application Data

(63) Continuation-in-part of application No. 29/668,447,
filed on Oct. 30, 2018.

(51) **LOC (12) Cl.** **06-03**

(52) **U.S. Cl.**
USPC **D6/684**; D6/691.3

(58) **Field of Classification Search**
USPC ... D6/349, 641, 642, 656, 659.16, 684, 685,
D6/686, 690, 691, 691.1-691.9
CPC A47B 7/00; A47B 13/00; A47B 13/02;
A47B 13/04; A47B 13/06; A47B 13/08;
A47B 17/00; A47B 21/00; A47B
2200/0001; A47B 2200/0011; A47B
2200/002; B25H 1/00; B25H 1/02; B25H
1/06
See application file for complete search history.

(56) **References Cited**

U.S. PATENT DOCUMENTS

D162,045 S * 2/1951 Lee D6/691
D366,977 S * 2/1996 Pratt D6/697

OTHER PUBLICATIONS

A-Frame Table—Union Wood Co. <https://unionwoodco.com/products/a-frame-table?variant=40597519629> retrieved from the internet on Dec. 12, 2019.*

* cited by examiner

Primary Examiner — Mary Ann Calabrese

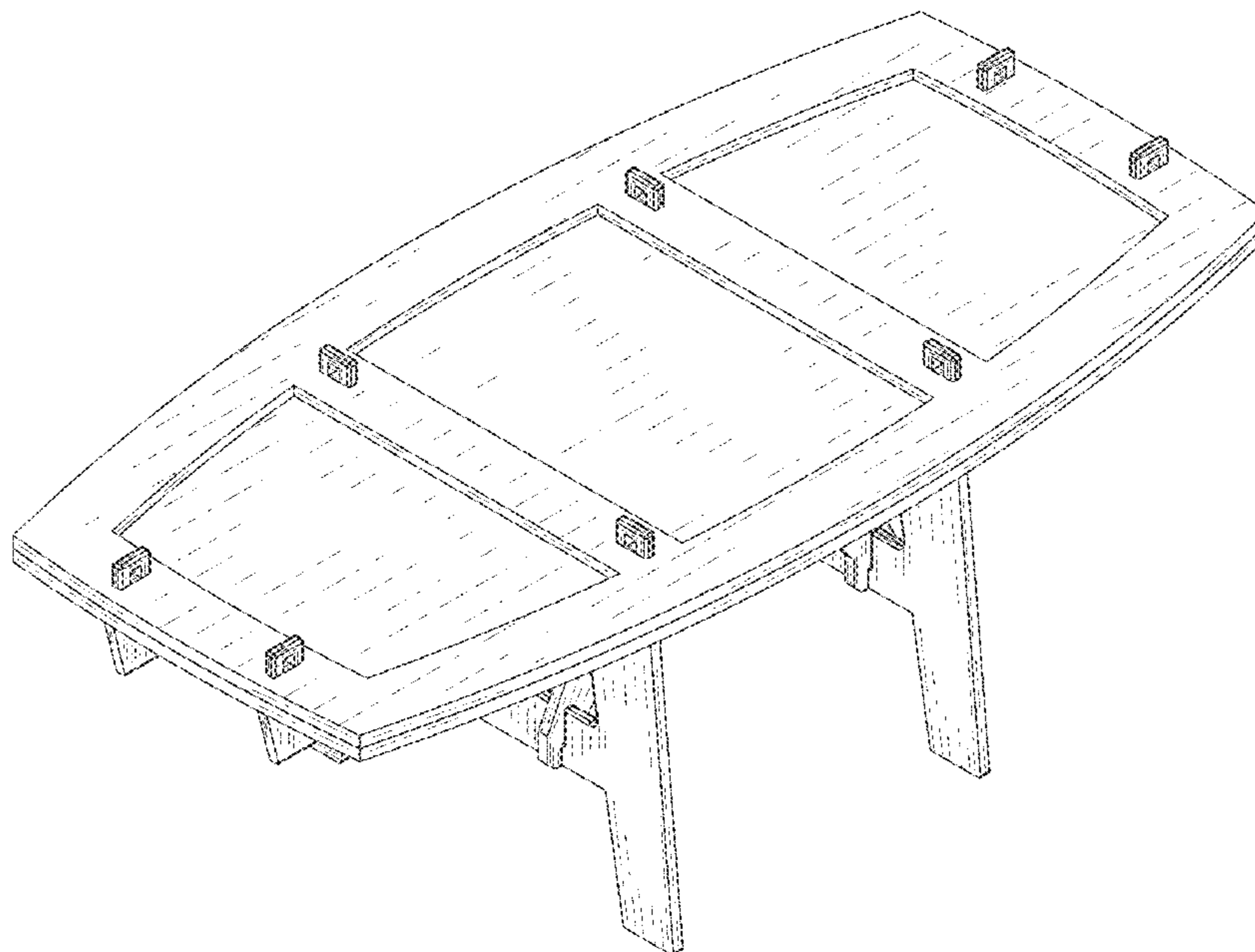
(57) **CLAIM**

The ornamental design for a trim table assembly, as shown and described.

DESCRIPTION

FIG. 1 is a perspective view of a trim table assembly showing my new design;
FIG. 2 is a front view thereof that mirrors the rear view;
FIG. 3 is a left view thereof that mirrors the right view;
FIG. 4 is a bottom view thereof;
FIG. 5 is a top view thereof;
FIG. 6 is a cross-sectional view taken along line 6-6 in FIG. 5; and,
FIG. 7 is an exploded perspective view of the trim table assembly.

1 Claim, 7 Drawing Sheets



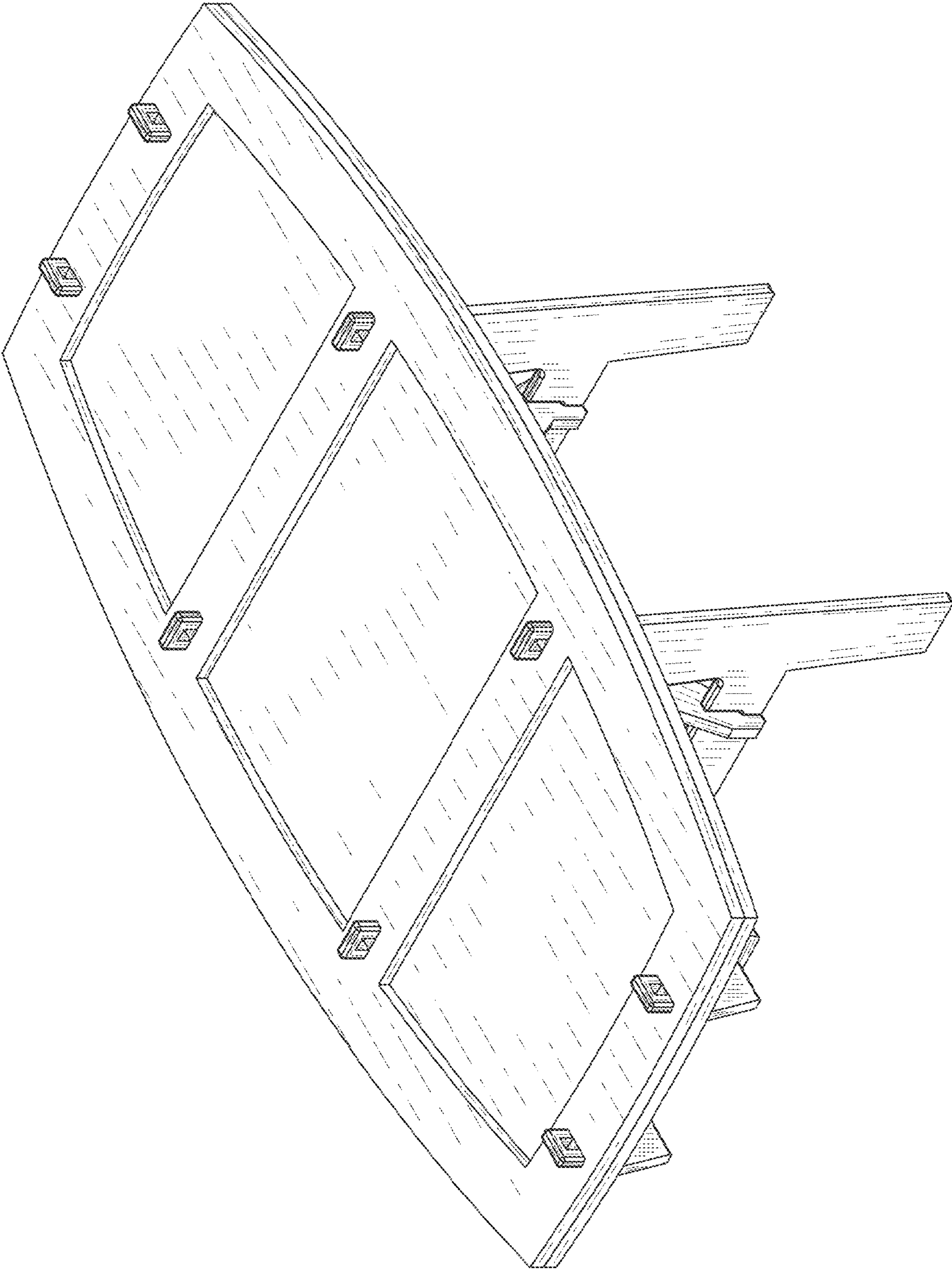


FIG. 1

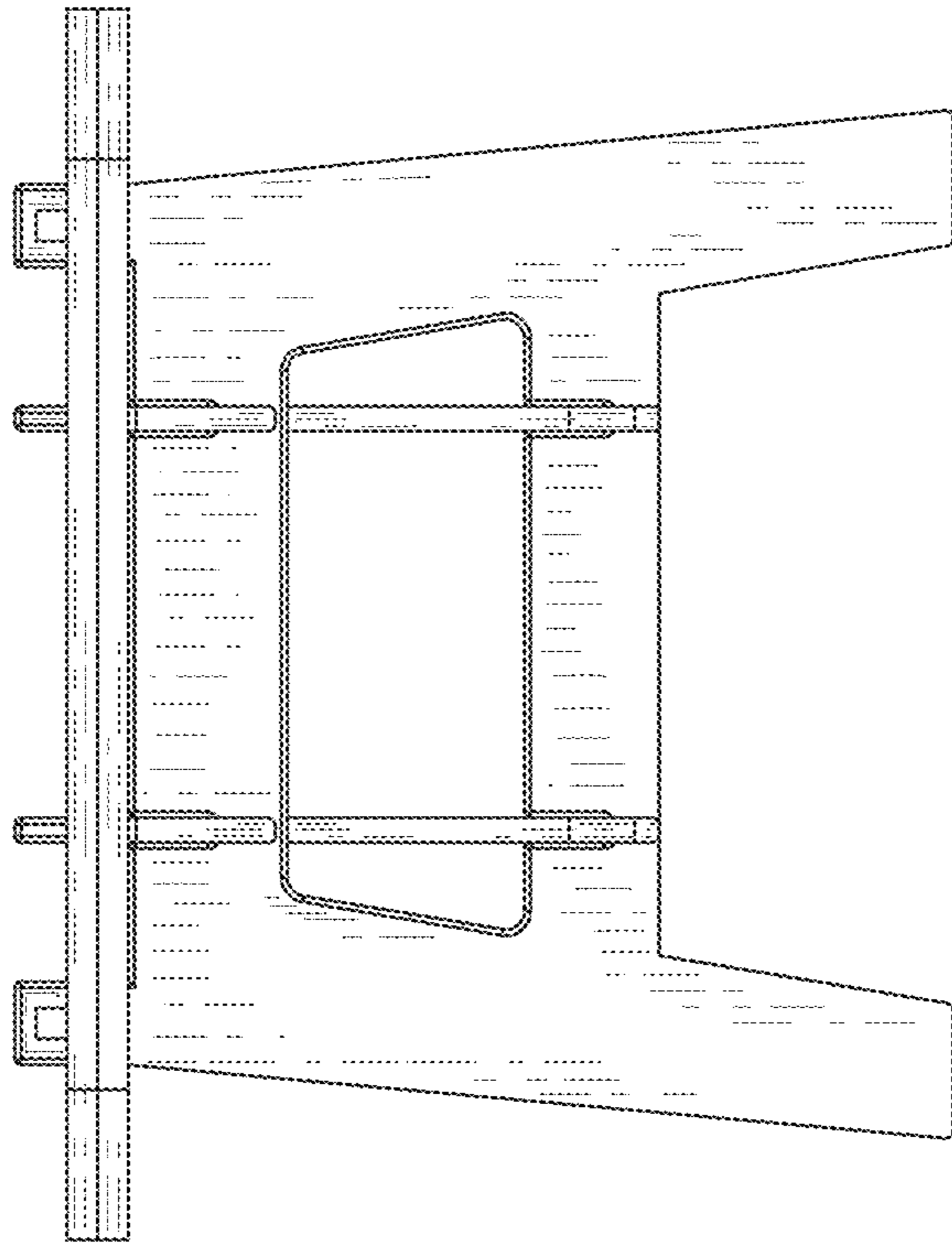


FIG. 2

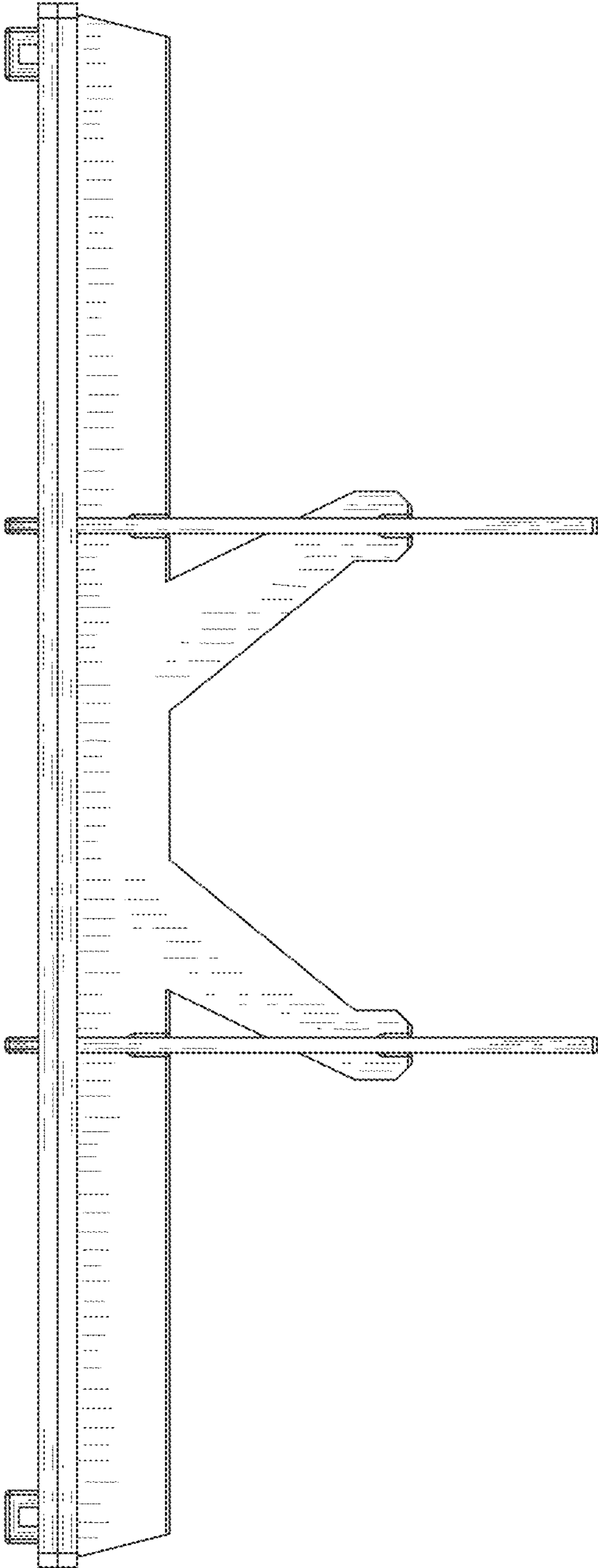


FIG. 3

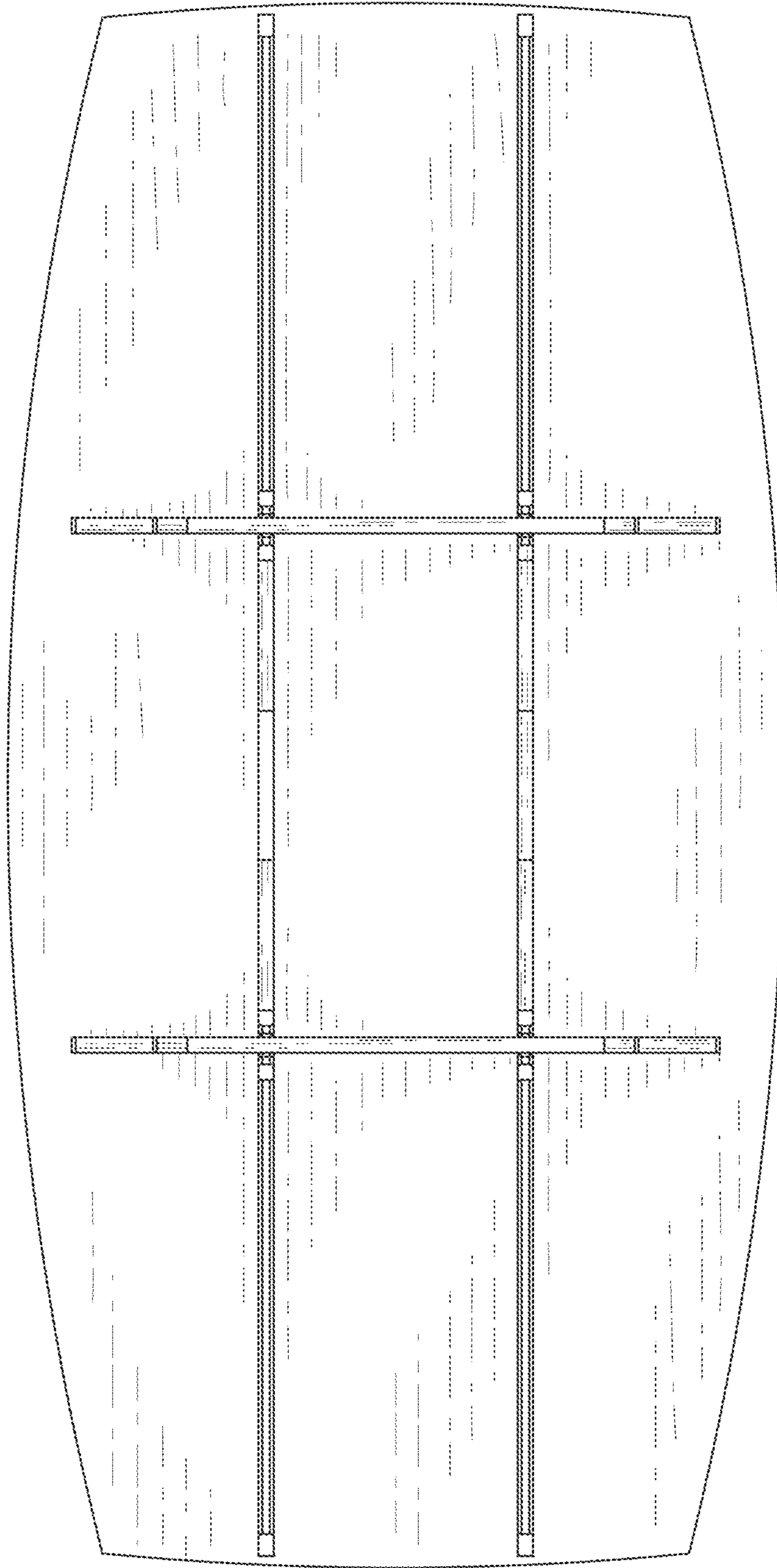
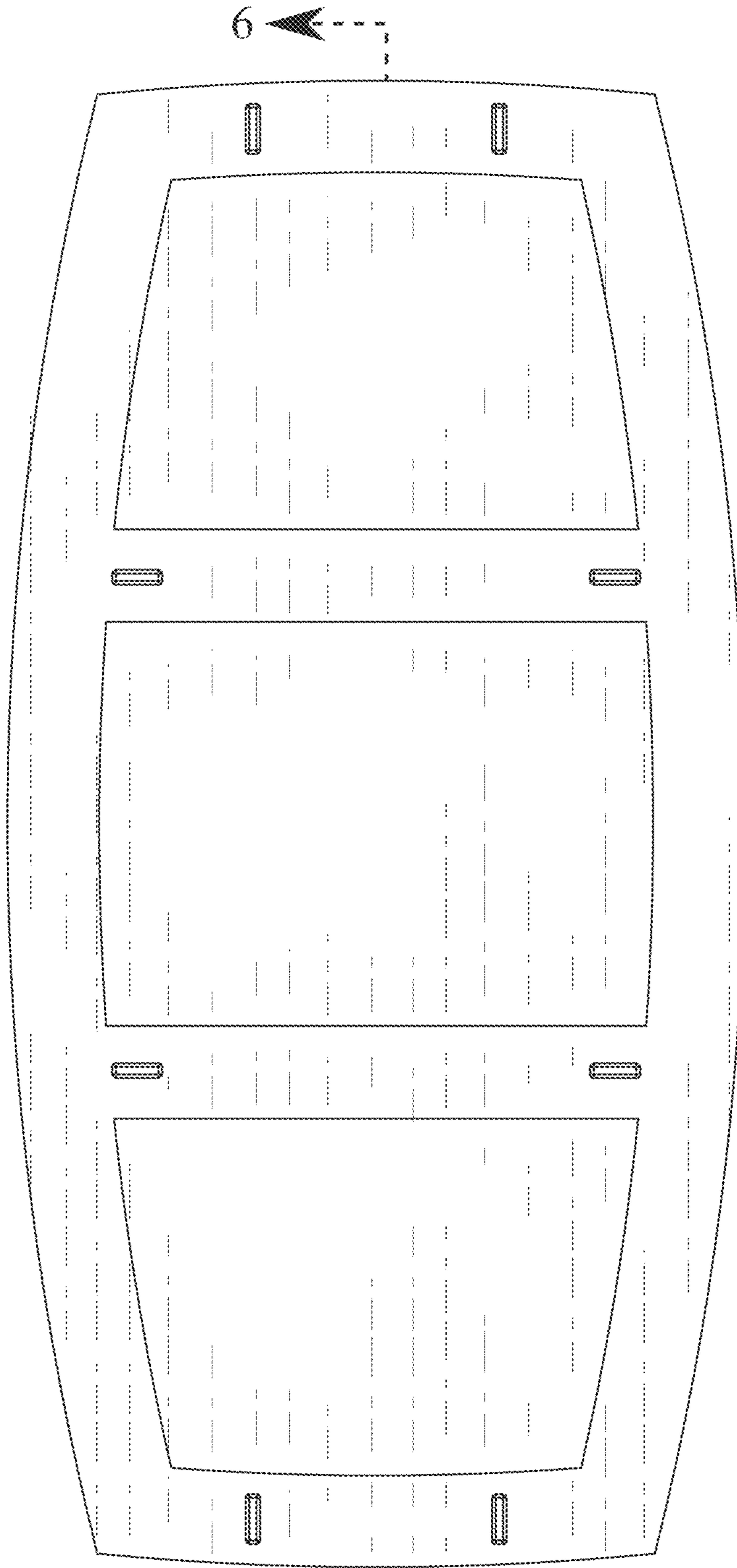


FIG. 4



6
FIG. 5

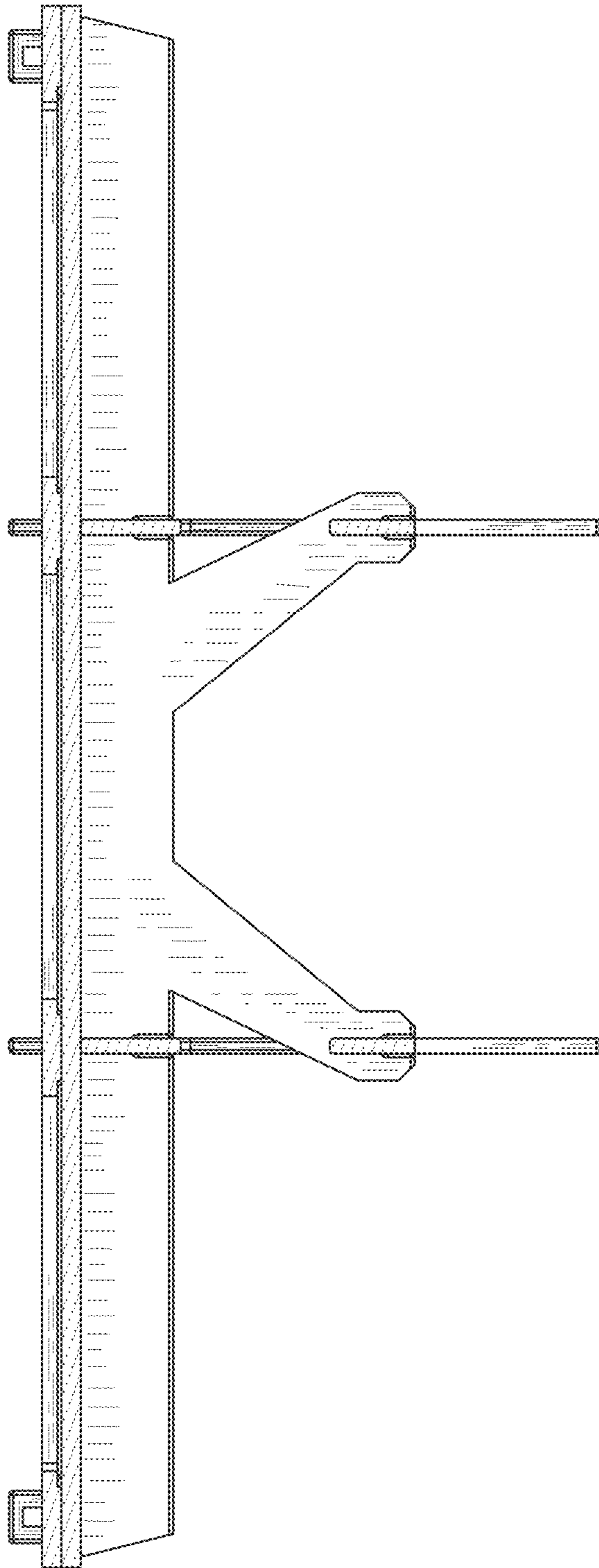


FIG. 6

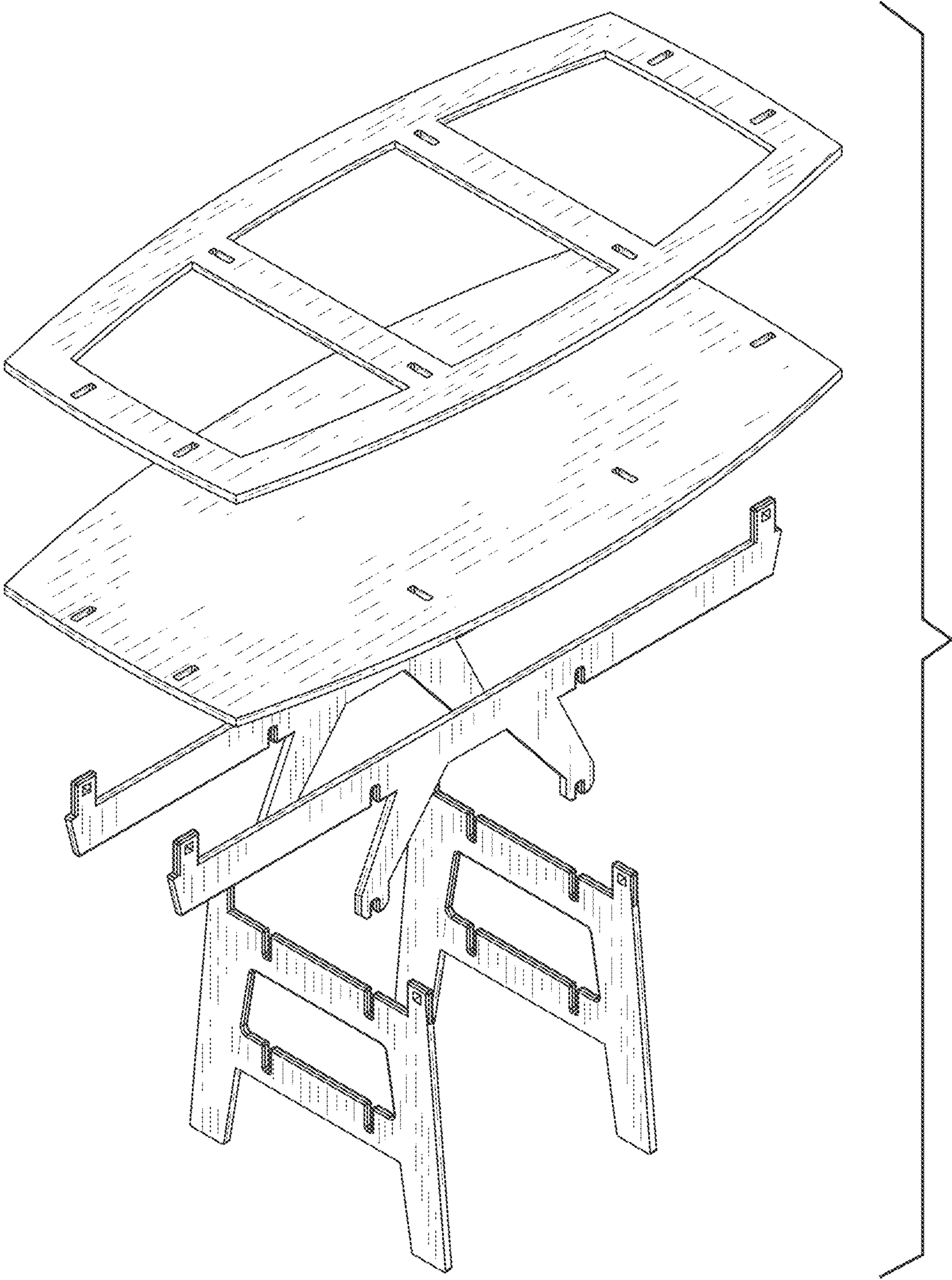


FIG. 7