



US00D886497S

(12) **United States Design Patent** (10) **Patent No.:** **US D886,497 S**  
**Ferri et al.** (45) **Date of Patent:** **\*\* Jun. 9, 2020**

(54) **TRIM TABLE ASSEMBLY**  
(71) Applicants: **Joseph Benjamin Ferri**, Portland, ME  
(US); **Mark Kazilionis**, Westbrook, ME  
(US)  
(72) Inventors: **Joseph Benjamin Ferri**, Portland, ME  
(US); **Mark Kazilionis**, Westbrook, ME  
(US)

(\*\*) Term: **15 Years**

(21) Appl. No.: **29/668,447**

(22) Filed: **Oct. 30, 2018**

(51) **LOC (12) Cl.** ..... **06-03**

(52) **U.S. Cl.**  
USPC ..... **D6/684**; D6/691.3

(58) **Field of Classification Search**  
USPC ... D6/349, 641, 642, 656, 659.16, 684, 685,  
D6/686, 690, 691, 691.1–691.9  
CPC ..... A47B 7/00; A47B 13/00; A47B 13/02;  
A47B 13/04; A47B 13/06; A47B 13/08;  
A47B 17/00; A47B 21/00; A47B  
2200/0001; A47B 2200/0011; A47B  
2200/002; B25H 1/00; B25H 1/02; B25H  
1/06

See application file for complete search history.

(56) **References Cited**

**U.S. PATENT DOCUMENTS**

D162,045 S \* 2/1951 Lee ..... D6/691  
D366,977 S \* 2/1996 Pratt ..... B05B 13/0285  
D6/697

D382,424 S \* 8/1997 Lenger ..... D6/691.3  
D398,453 S \* 9/1998 Stead ..... D6/349  
D436,763 S \* 1/2001 Balolia ..... D6/349  
D690,543 S \* 10/2013 Meissner ..... D6/690  
D775,486 S \* 1/2017 Seniff ..... D6/691.5  
D828,061 S \* 9/2018 Davis ..... D6/691.3  
D856,051 S \* 8/2019 Seniff ..... D6/691.5  
2015/0283574 A1\* 10/2015 Waterston ..... B05B 13/0285  
269/55

**OTHER PUBLICATIONS**

A-Frame Table—Union Wood Co. <https://unionwoodco.com/products/a-frame-table?variant=40597519629> retrieved from the internet on Dec. 12, 2019.\*

\* cited by examiner

*Primary Examiner* — Mary Ann Calabrese

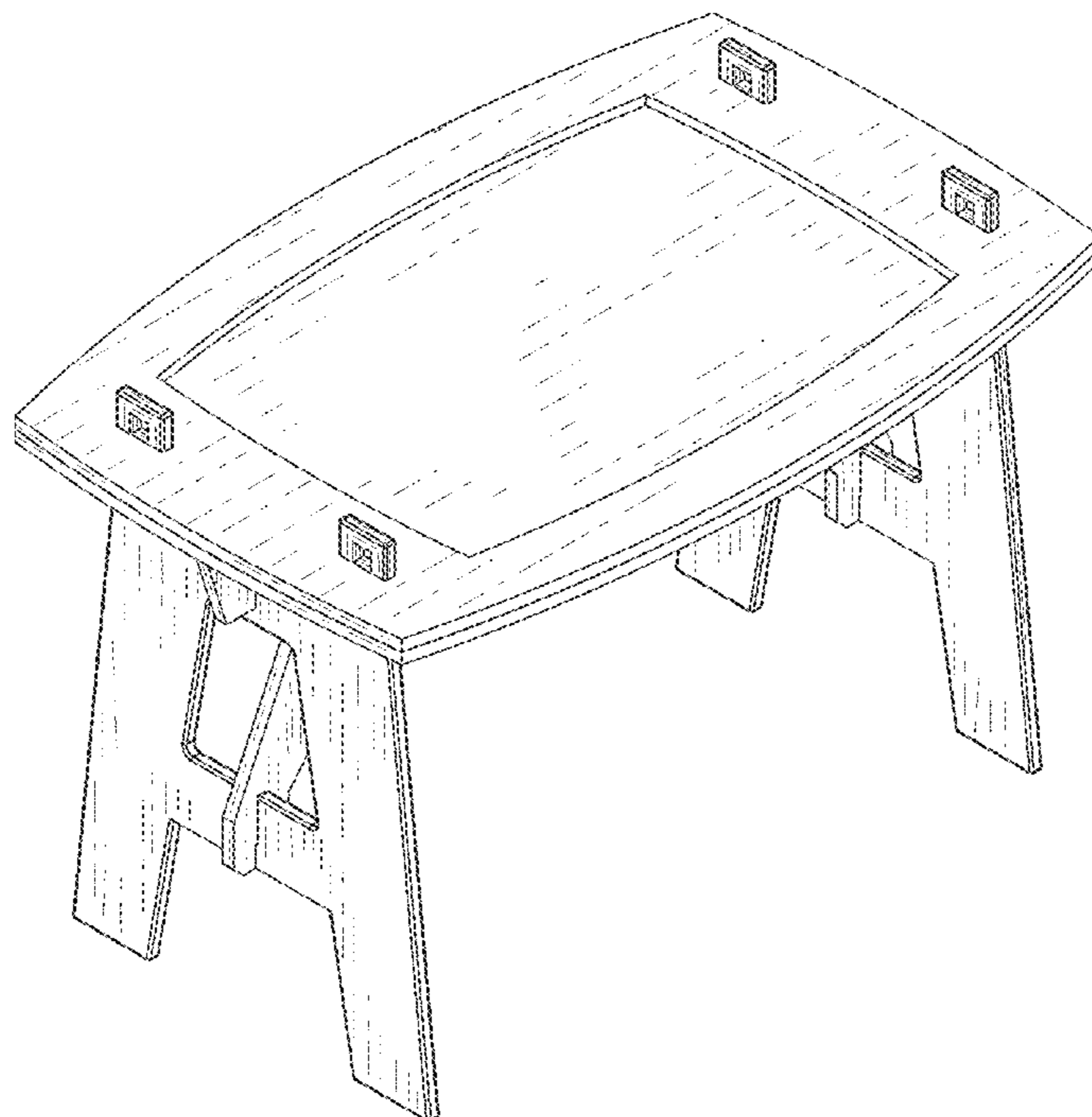
(57) **CLAIM**

The ornamental design for a trim table assembly, as shown and described.

**DESCRIPTION**

FIG. 1 is a perspective view of a trim table assembly showing my new design;  
FIG. 2 is a front view thereof that mirrors the rear view;  
FIG. 3 is a left view thereof that mirrors the right view;  
FIG. 4 is a bottom view thereof;  
FIG. 5 is a top view thereof;  
FIG. 6 is a cross-sectional view taken along line 6-6 in FIG. 5; and,  
FIG. 7 is an exploded perspective view of the trim table assembly.

**1 Claim, 7 Drawing Sheets**



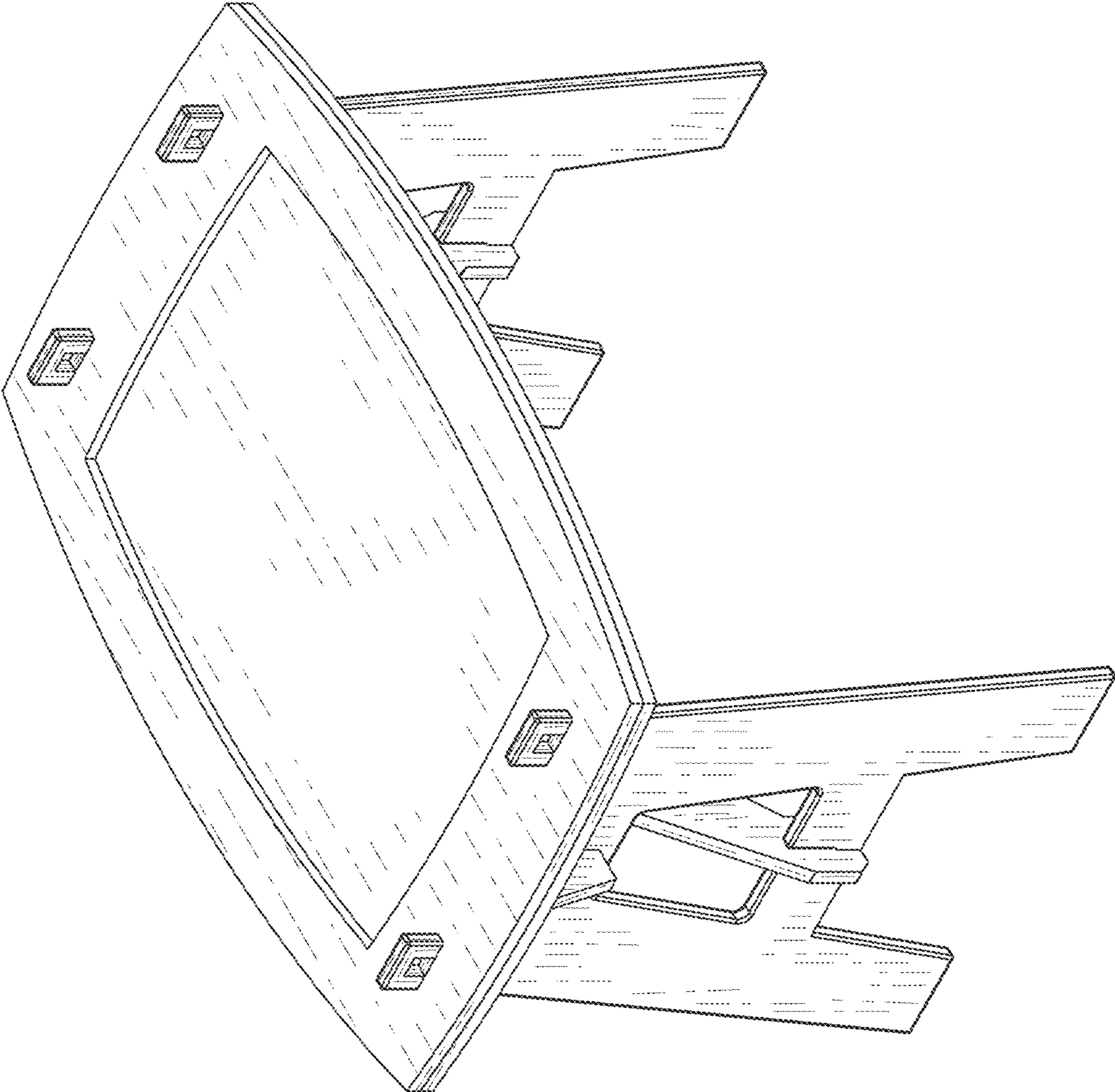


FIG. 1

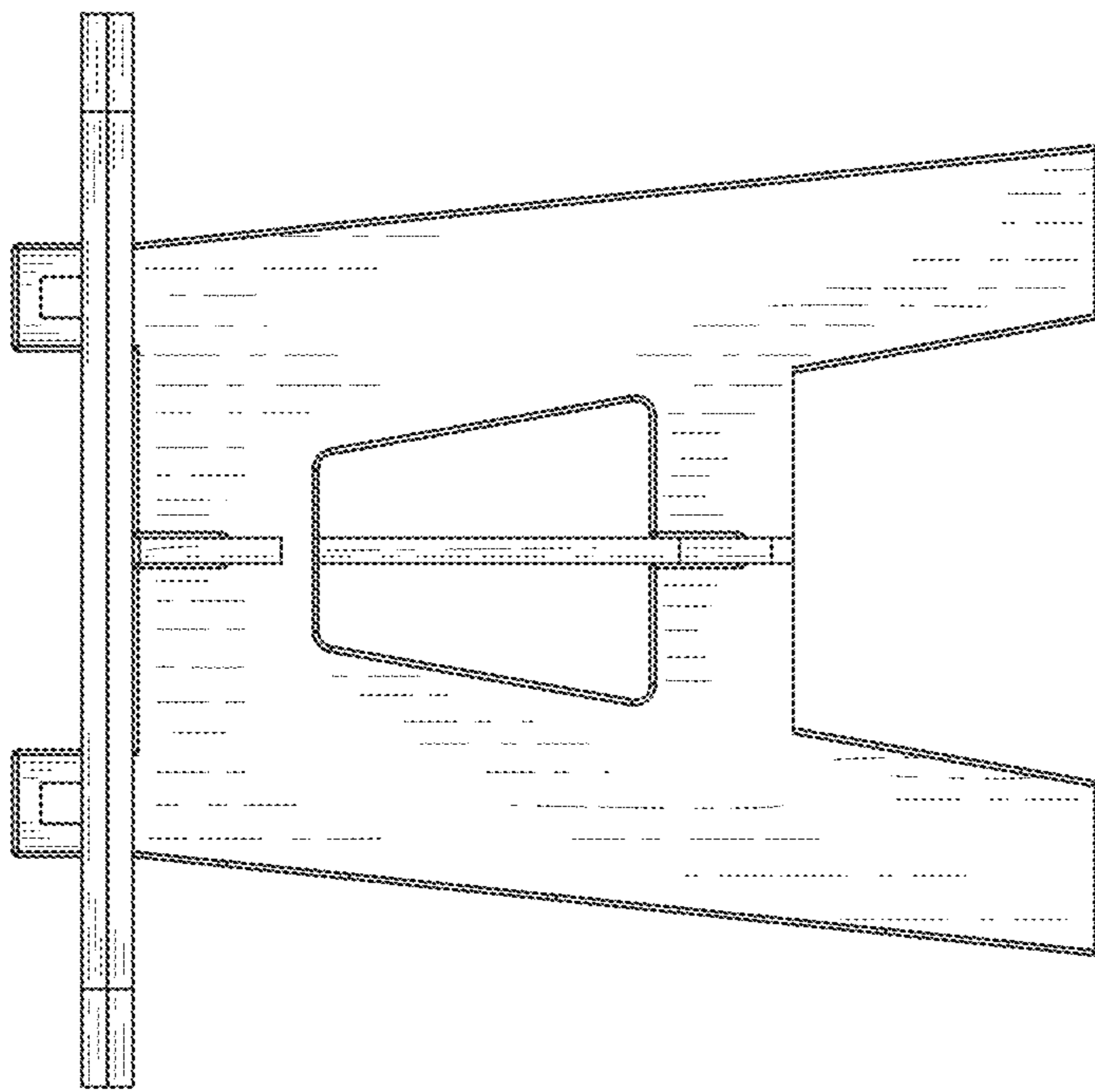


FIG. 2

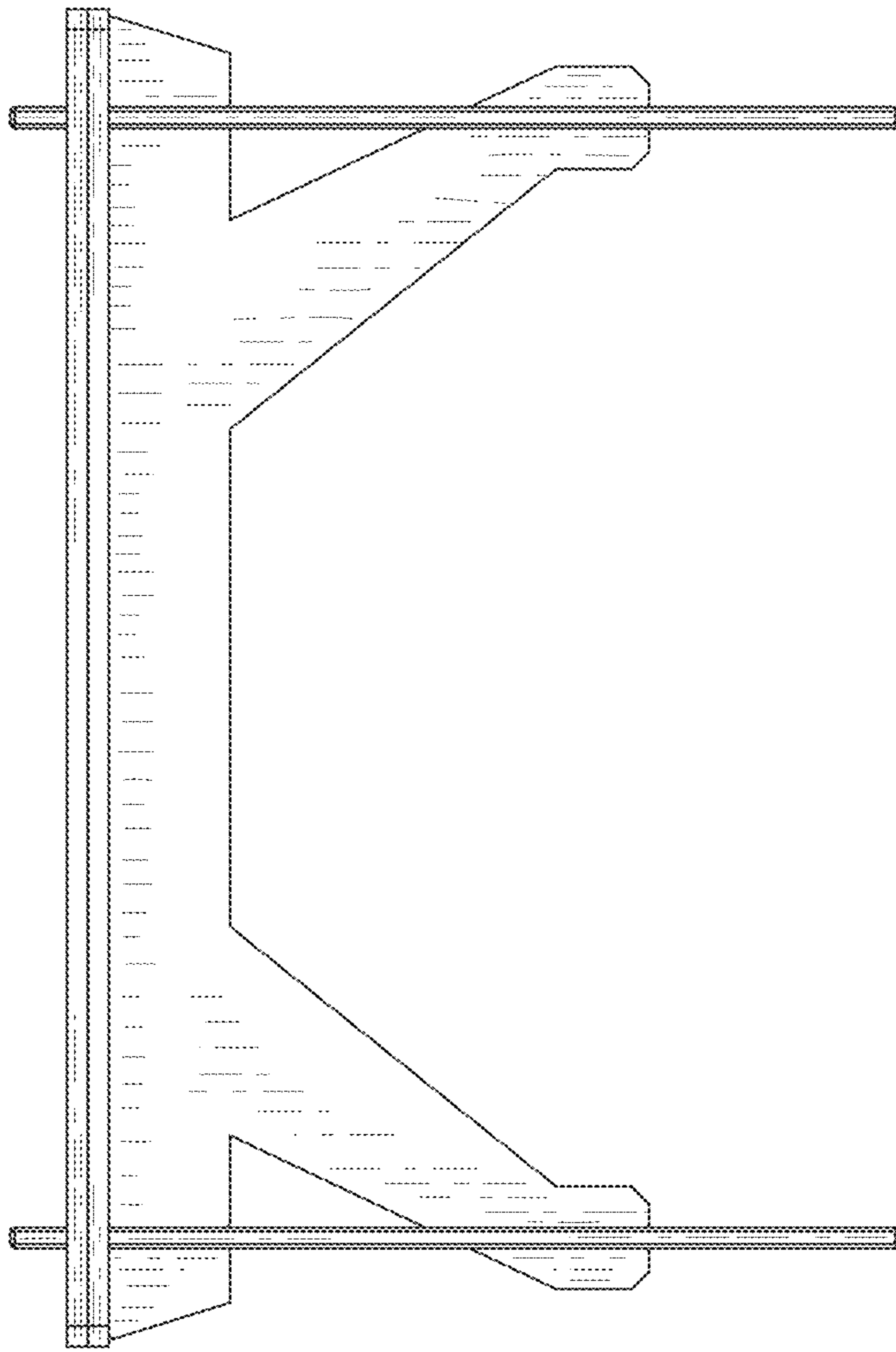


FIG. 3

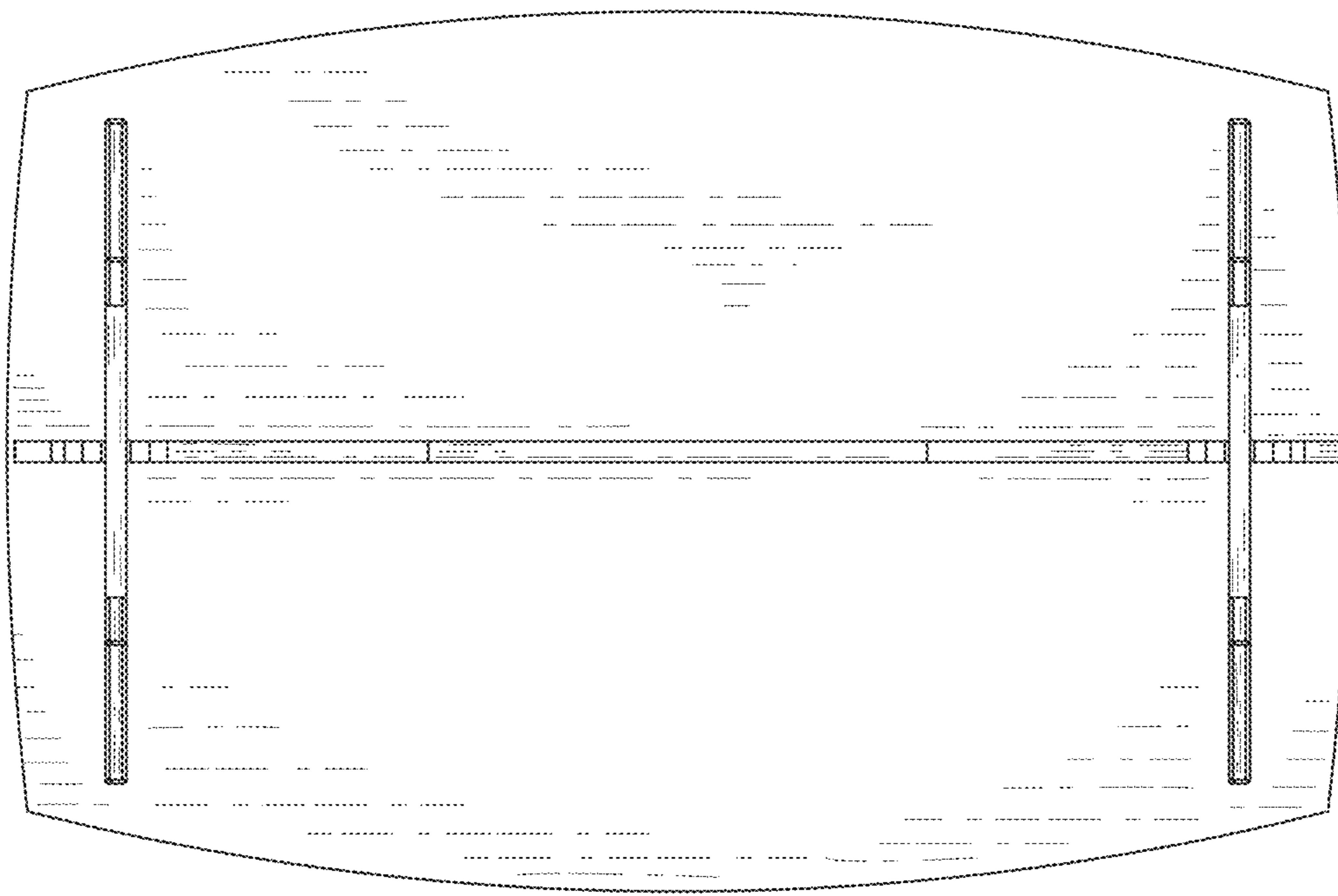
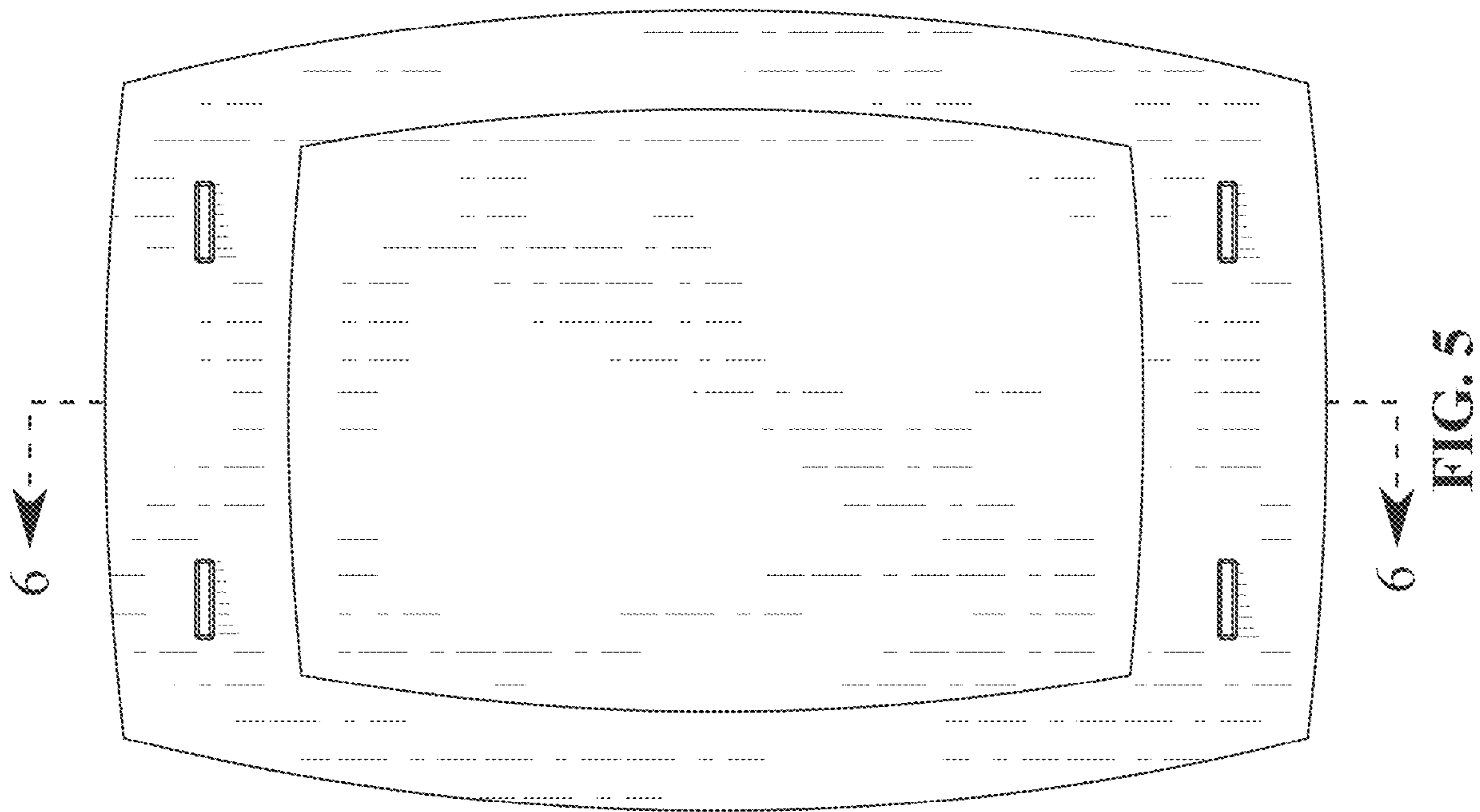


FIG. 4





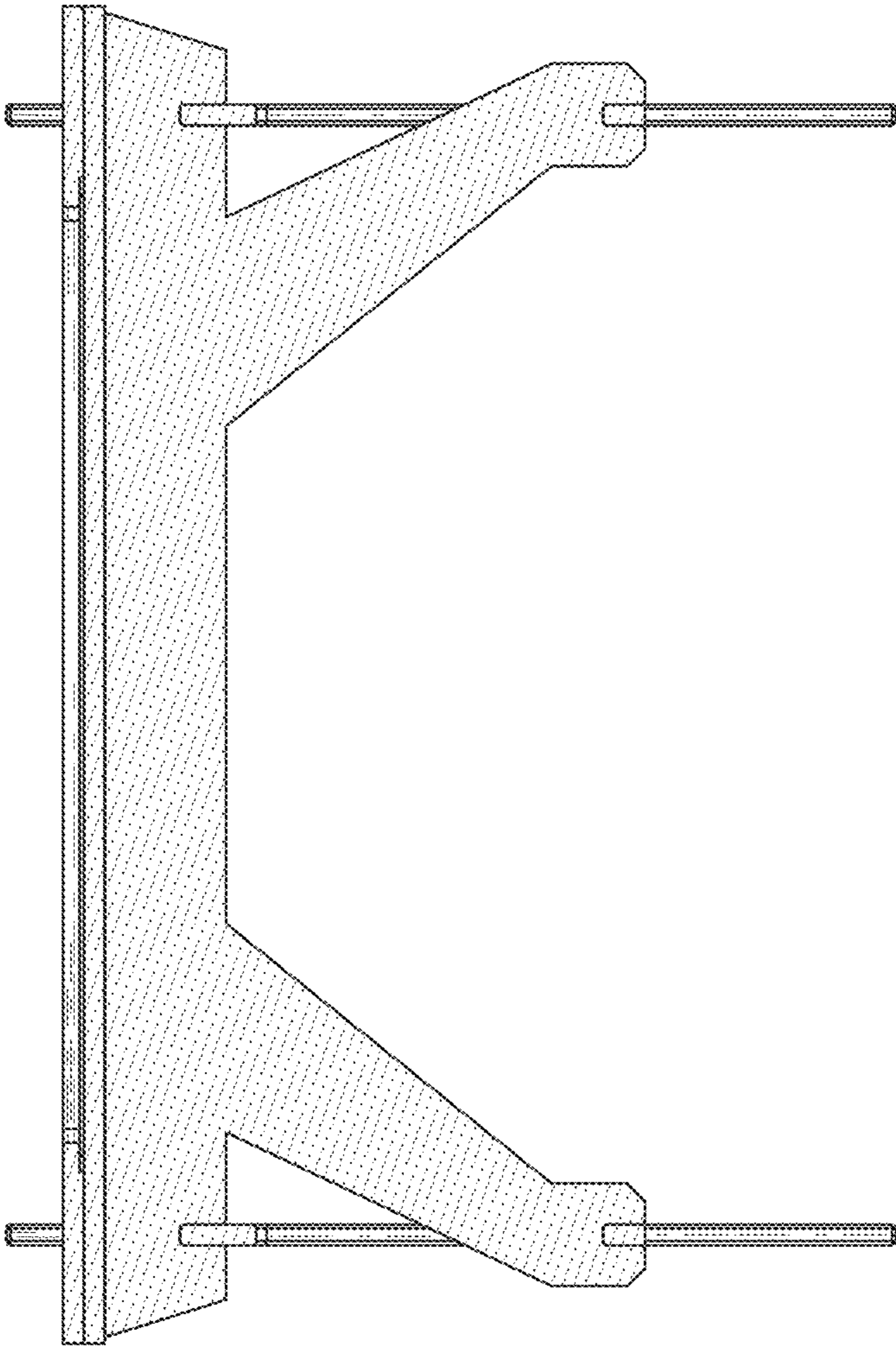


FIG. 6

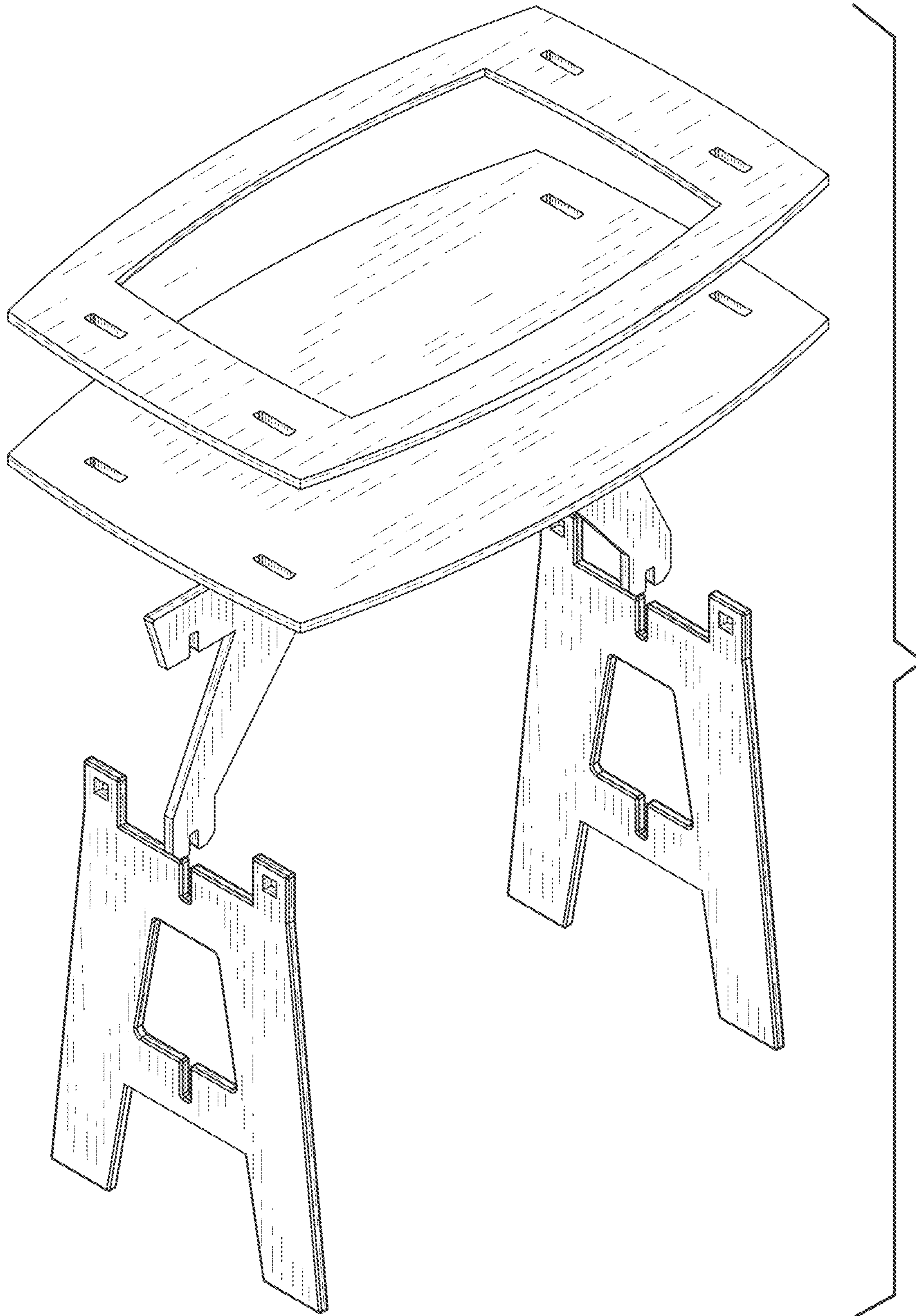


FIG. 7