



US00D886492S

(12) **United States Design Patent**
Farkas

(10) **Patent No.:** **US D886,492 S**
(45) **Date of Patent:** **** Jun. 9, 2020**

(54) **RUG PAD**

(71) Applicant: **Abraham Farkas**, Brooklyn, NY (US)

(72) Inventor: **Abraham Farkas**, Brooklyn, NY (US)

(**) Term: **15 Years**

(21) Appl. No.: **29/717,347**

(22) Filed: **Dec. 17, 2019**

(51) **LOC (12) Cl.** **06-11**

(52) **U.S. Cl.**

USPC **D6/582**

(58) **Field of Classification Search**

USPC D6/331, 582, 583, 585-589, 591, 592;
D8/394; D12/203, 608; D19/9, 10, 37,
D19/113; D21/686, 780; D23/261, 310,
D23/361; D25/156; D30/161; D32/57
CPC A47G 27/02; A47G 27/0206; A47G
27/0212; A47G 27/0218; A47G 27/0225;
A47G 27/0231; A47G 27/0237; A47G
27/0275; A47G 27/0293; A47G 9/062;
A47K 3/002; A63B 6/00; A63B 21/4037;
E04F 2201/095; E04F 19/10; G09B
19/0015; B60B 39/00; B60B 39/12; A47L
23/26; A47L 23/266

See application file for complete search history.

(56) **References Cited**

U.S. PATENT DOCUMENTS

922,703 A * 5/1909 Knapp A47G 27/0431
16/17.1
RE32,929 E * 5/1989 Ewing C09J 7/0275
206/460
5,048,182 A * 9/1991 Robbins, III B26F 1/384
29/895.21
5,073,428 A * 12/1991 Lancelot A47G 27/0206
428/120
D367,192 S 2/1996 Frattini
5,743,392 A * 4/1998 Chapman A63F 9/1044
206/315.1
D403,911 S 6/1999 Wang

D403,912 S 6/1999 Wang
D411,400 S 6/1999 Yancey
6,877,194 B2 * 4/2005 Bradley H05K 13/0084
206/307.1
D505,809 S * 6/2005 Cassidy D3/319
D522,299 S * 6/2006 Robbins, III D6/582
D665,595 S * 8/2012 Francis A63F 9/1044
D6/406.3
D666,044 S 8/2012 Todd
(Continued)

OTHER PUBLICATIONS

“Premium Large Size Anti Curling Carpet Tape Rug Gripper” by TUMELU. Sold on Amazon.com. Dec. 31, 2019. Accessed on Mar. 30, 2020. (Year: 2019).*

(Continued)

Primary Examiner — Kevin K Rudzinski
Assistant Examiner — Clare Ann Gannon
(74) *Attorney, Agent, or Firm* — Michael J. Feigin, Esq.;
Feigin and Fridman LLC

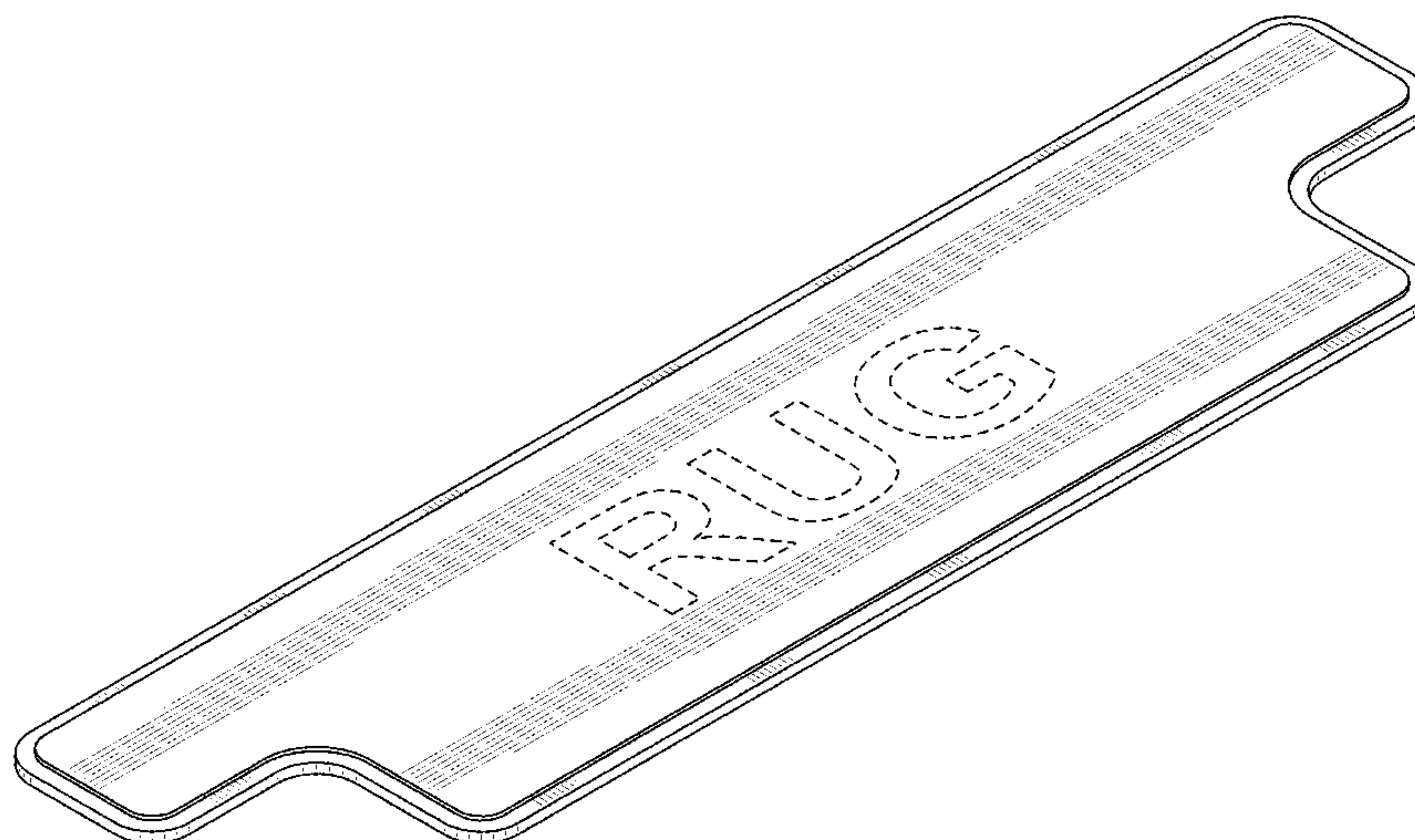
(57) **CLAIM**

The ornamental design for a rug pad, as shown and described.

DESCRIPTION

FIG. 1 shows a top and side perspective view of a rug pad showing my new design.
FIG. 2 shows a bottom and side perspective view thereof.
FIG. 3 shows a top plan view thereof.
FIG. 4 shows a bottom plan view thereof.
FIG. 5 shows a left side view thereof.
FIG. 6 shows a right side view thereof.
FIG. 7 shows a front side view thereof; and,
FIG. 8 shows a rear side view thereof.
The broken line is for the purpose of illustrating portions of the article and form no part of the claimed design.

1 Claim, 4 Drawing Sheets



(56)

References Cited

U.S. PATENT DOCUMENTS

D693,874 S * 11/2013 Daniel A47G 27/0206
D19/10
D740,052 S 10/2015 Jalbert et al.
D760,849 S * 7/2016 Iverson B26F 1/384
D21/480
D801,082 S 10/2017 Onaiwu
D812,344 S * 3/2018 Brazile A45F 3/005
D2/627
D847,536 S 5/2019 Patton et al.
D864,609 S 10/2019 Lagun et al.
2009/0250367 A1* 10/2009 Murdoch B65D 81/057
206/453
2017/0318997 A1* 11/2017 Amrine A47G 27/0206

OTHER PUBLICATIONS

“ZC GEL rug Gripper (12 PCs) with Anti Curling,” date accessed Dec. 5, 2019] Amazon.com.

“Reusable Rug Grippers, FTLL 2019 Upgraded 9 PCS Non Slip Straight Carpet Tape, Stron (sic) Sticky Washable Rug Pad for Curled Corners and Edges,” date accessed Dec. 5, 2019, Amazon.com.

* cited by examiner

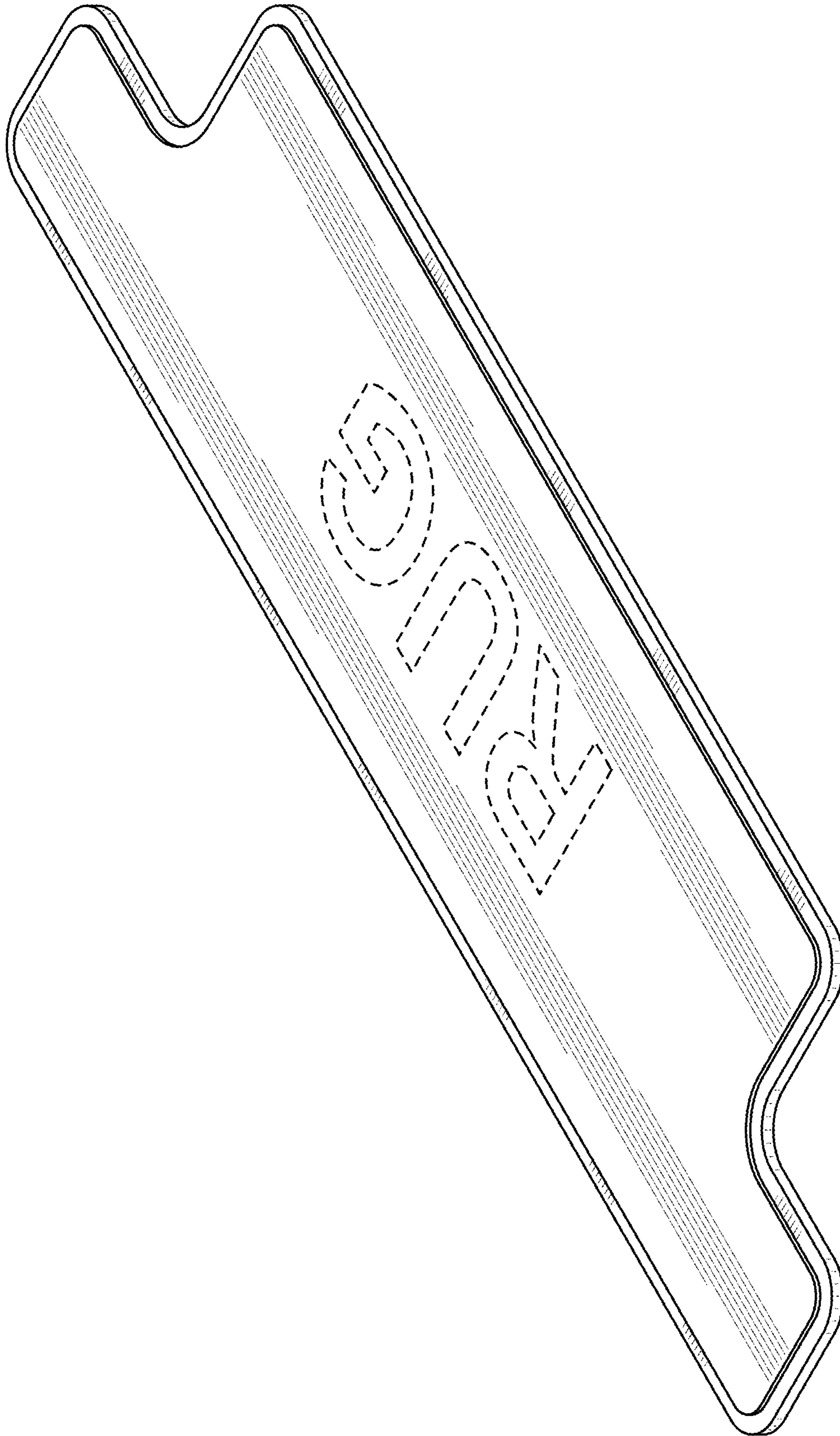


FIG. 1

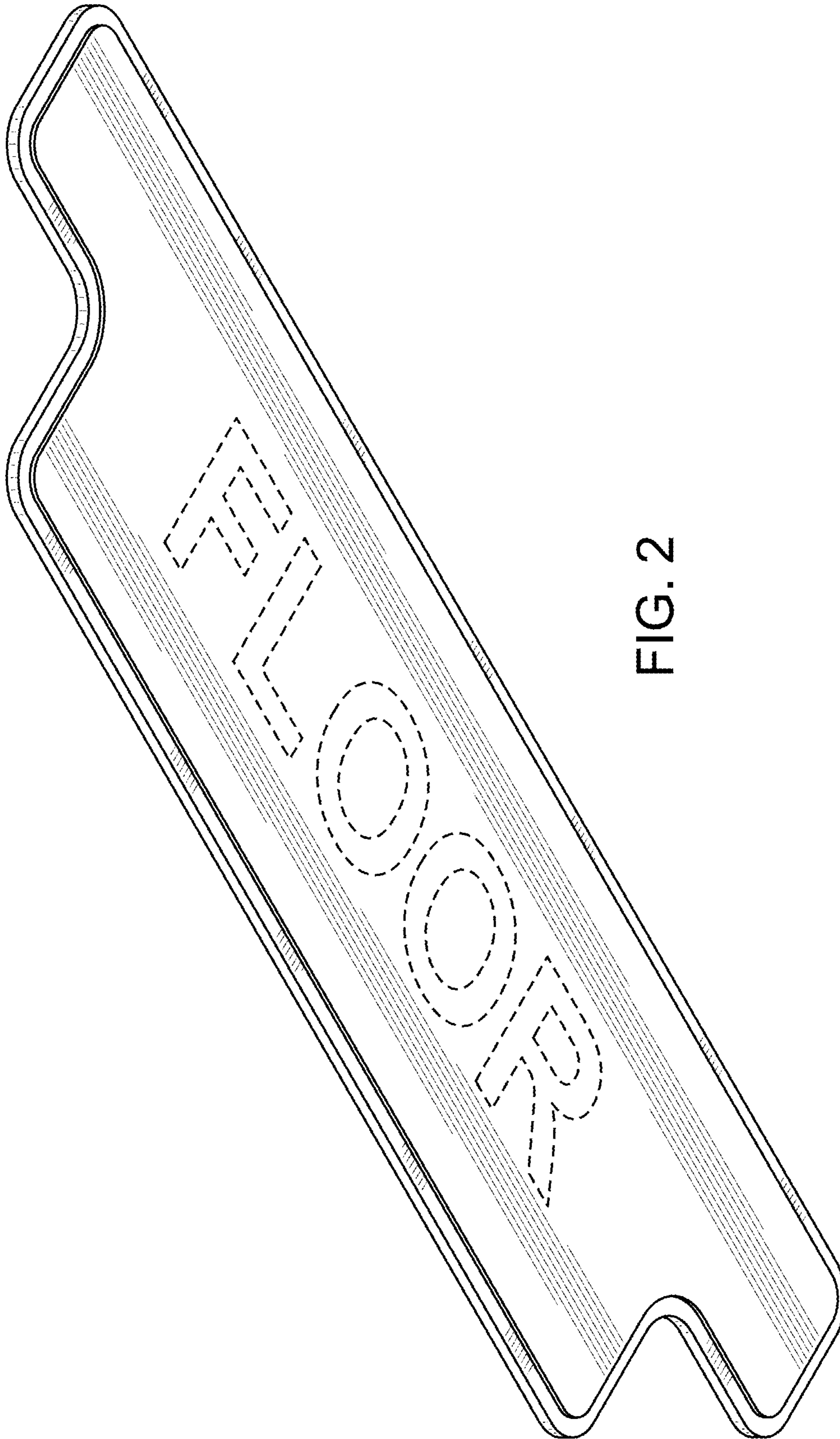


FIG. 2

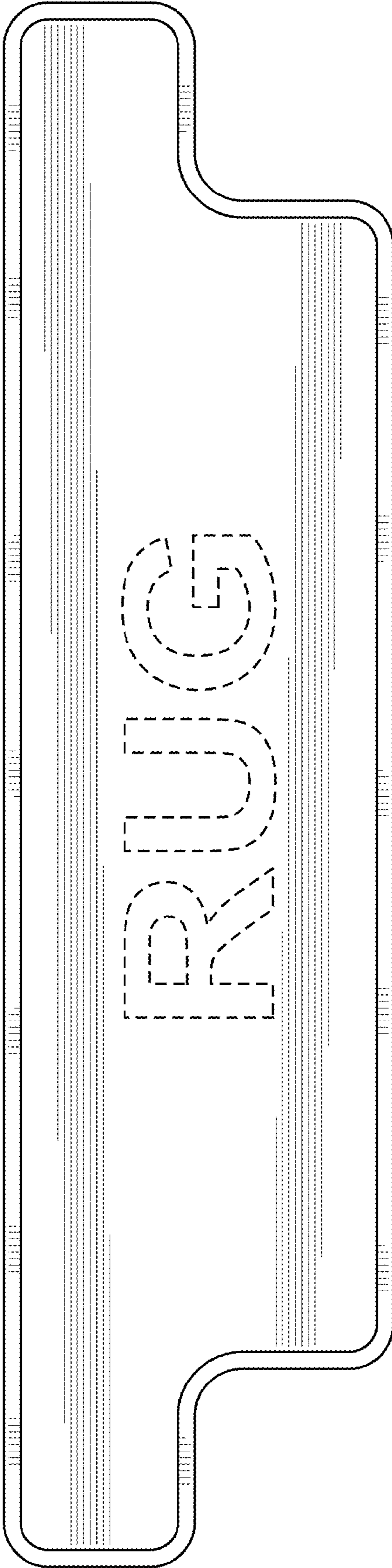


FIG. 3

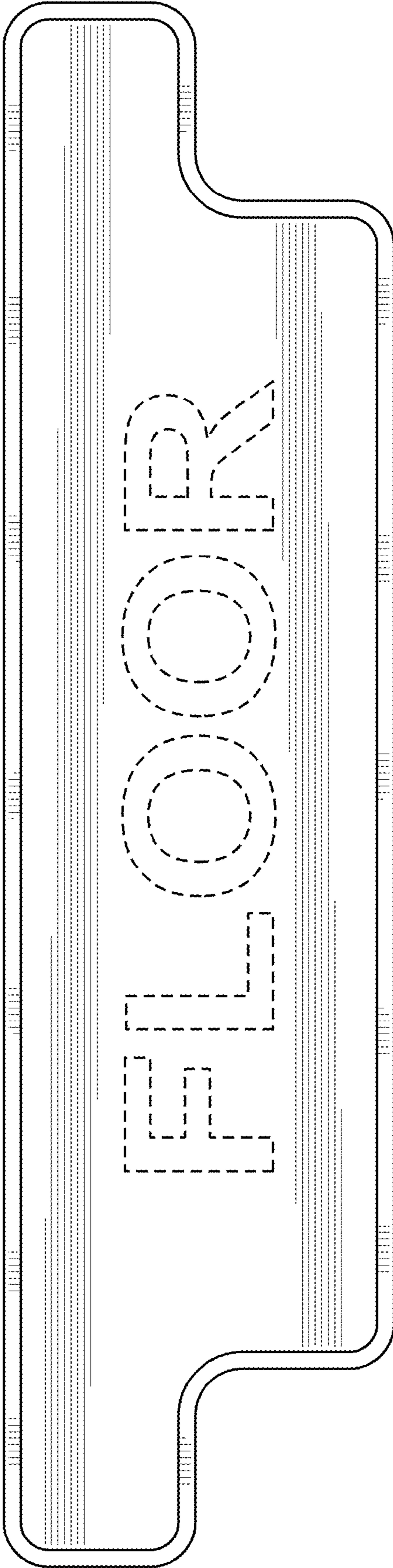


FIG. 4



FIG. 5



FIG. 6



FIG. 7



FIG. 8