



US00D886491S

(12) **United States Design Patent**  
**Huang**

(10) **Patent No.:** **US D886,491 S**  
(45) **Date of Patent:** **\*\* Jun. 9, 2020**

- (54) **CURTAIN RAIL**
- (71) Applicant: **SAN HSIN PLASTECH CO., LTD.**,  
Taoyuan (TW)
- (72) Inventor: **Shu-Yuan Huang**, Taoyuan (TW)
- (73) Assignee: **SAN HSIN PLASTECH CO., LTD.**,  
Taoyuan (TW)
- (\*\*) Term: **15 Years**
- (21) Appl. No.: **29/691,043**
- (22) Filed: **May 14, 2019**
- (51) **LOC (12) Cl.** ..... **06-10**
- (52) **U.S. Cl.**  
USPC ..... **D6/580**
- (58) **Field of Classification Search**  
USPC ..... D6/575-577, 579, 580; D13/155;  
D25/119, 121, 136  
CPC ..... A47H 1/04; A47H 15/00; A47H 23/01;  
E06B 2009/2622; E06B 2009/402; E06B  
2009/407; E06B 9/26; E06B 9/28; E06B  
9/323; E06B 9/36; E06B 9/386; E06B  
9/388; E06B 9/40; E06B 9/42; E06B 9/58  
See application file for complete search history.

(56) **References Cited**

**U.S. PATENT DOCUMENTS**

- D450,234 S \* 11/2001 Bosgoed ..... D8/377
- D488,055 S \* 4/2004 Ter Braak ..... D8/377
- D489,209 S \* 5/2004 Goldberg ..... D25/119
- D554,422 S \* 11/2007 Lin ..... D6/580
- D567,002 S \* 4/2008 Allsopp ..... D6/580
- D639,098 S \* 6/2011 Bosgoed ..... A47H 1/04  
D6/580
- D703,518 S \* 4/2014 Lapping ..... E06B 9/323  
D8/376
- D817,660 S \* 5/2018 Raiti ..... A47H 2/00  
D6/580
- 2005/0211394 A1\* 9/2005 Fraczek ..... E06B 9/32  
160/170

- 2006/0207728 A1\* 9/2006 Lin ..... A47H 2/00  
160/38
- 2007/0181266 A1\* 8/2007 Wen ..... E06B 9/323  
160/177 R
- 2009/0205791 A1\* 8/2009 Sans Folch ..... A47H 1/04  
160/368.1

(Continued)

**FOREIGN PATENT DOCUMENTS**

- TW 2019-U203707 \* 7/2019 ..... A47H 1/10

*Primary Examiner* — Kevin K Rudzinski

*Assistant Examiner* — Clare Ann Gannon

(74) *Attorney, Agent, or Firm* — Li & Cai Intellectual  
Property Office

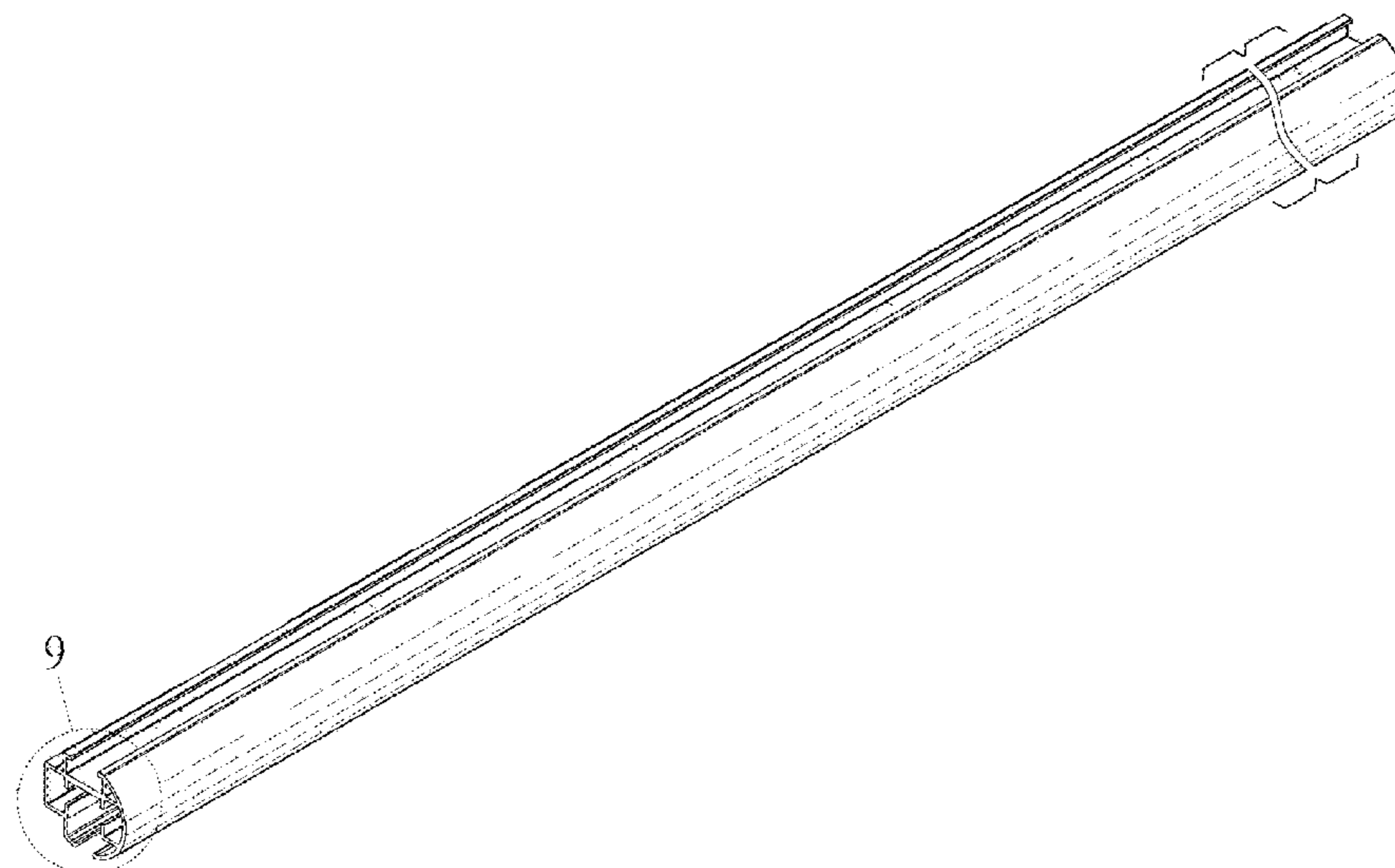
(57) **CLAIM**

The ornamental design for a curtain rail, as shown and  
described.

**DESCRIPTION**

FIG. 1 is a front and top perspective view of a curtain rail showing my new design;  
 FIG. 2 is a front elevational view thereof;  
 FIG. 3 is a rear elevational view thereof;  
 FIG. 4 is a left side elevational view thereof;  
 FIG. 5 is a right side elevational view thereof;  
 FIG. 6 is a top plan view thereof;  
 FIG. 7 is a bottom plan view thereof;  
 FIG. 8 is a rear and bottom perspective view thereof;  
 FIG. 9 is an enlarged view of the portion "9" encircled in FIG. 1; and,  
 FIG. 10 is a front and top perspective view of the curtain rail of FIG. 1 shown in an environment of use.  
 The break lines shown in FIGS. 1-4, 6-8, and 10 symbolize breaks in the length of the article in which the claimed design is embodied. The appearance of any portion of the article between the break lines forms no part of the claimed design.

**1 Claim, 7 Drawing Sheets**



(56)

**References Cited**

U.S. PATENT DOCUMENTS

2010/0175838 A1\* 7/2010 Faller ..... E06B 9/322  
160/310  
2011/0225774 A1\* 9/2011 Seddon, IV ..... A47H 1/02  
16/94 D  
2020/0032580 A1\* 1/2020 Strand ..... E06B 9/362  
2020/0037803 A1\* 2/2020 Sapmaz ..... A47H 1/06

\* cited by examiner

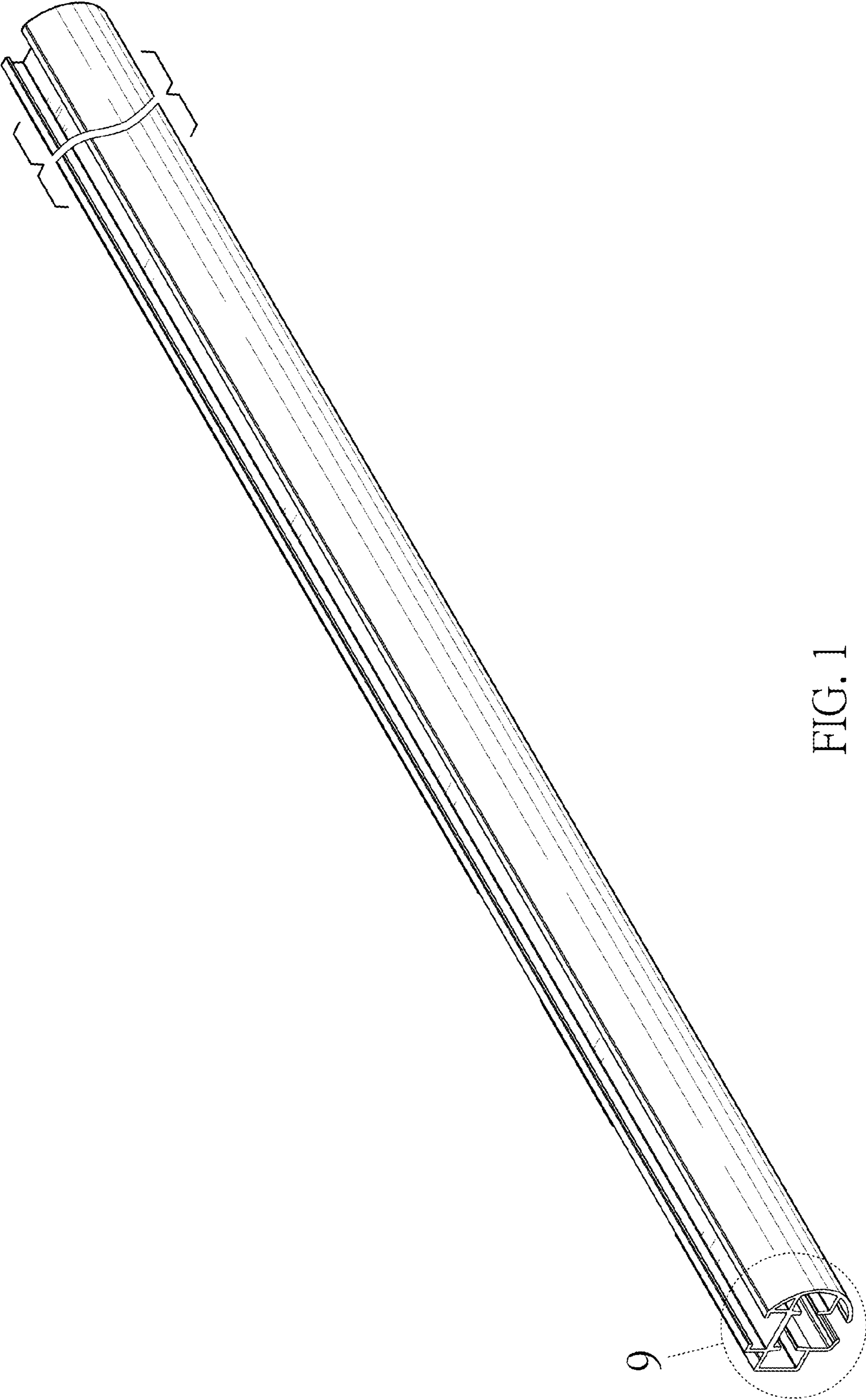


FIG. 1

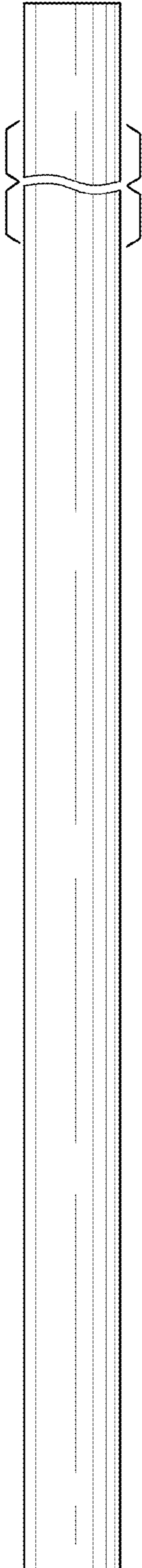


FIG. 2

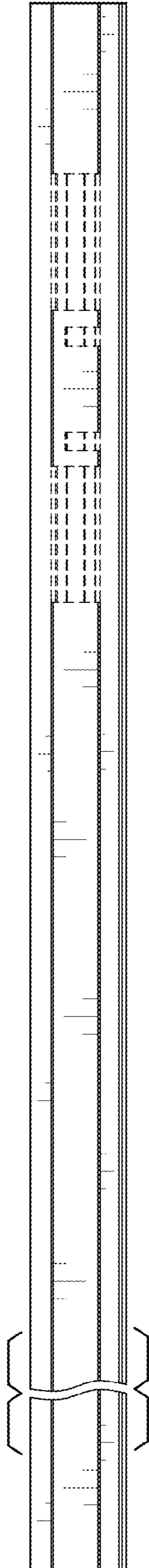


FIG. 3

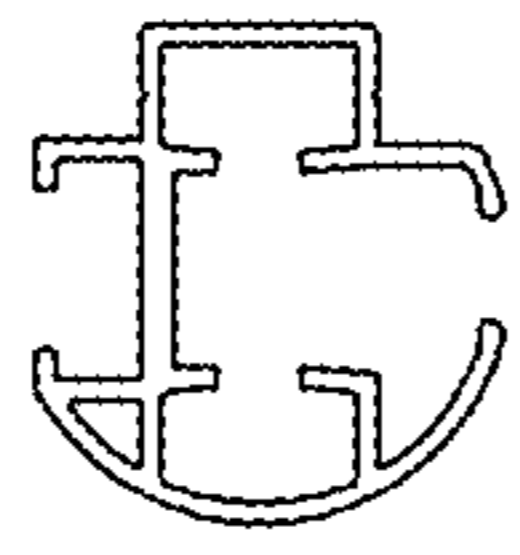


FIG. 5

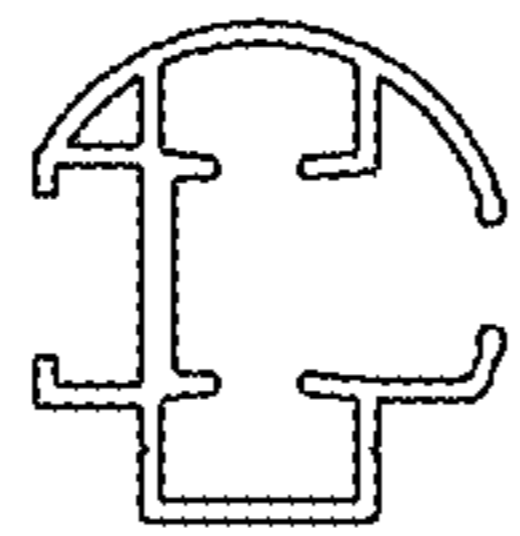


FIG. 4

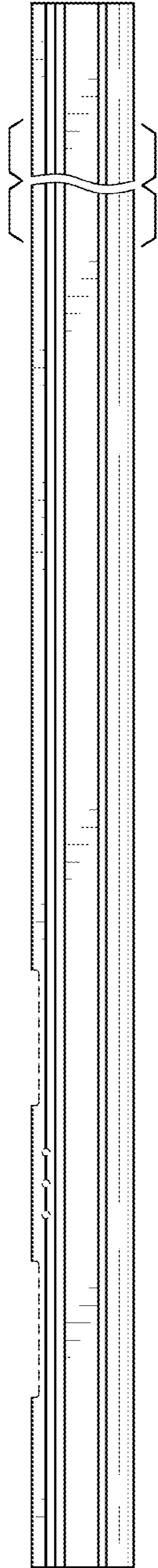


FIG. 6

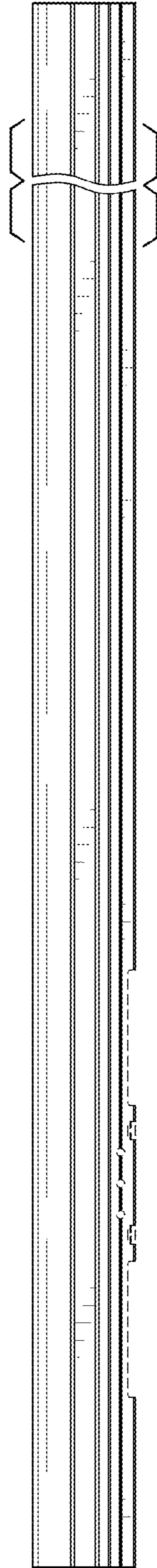


FIG. 7

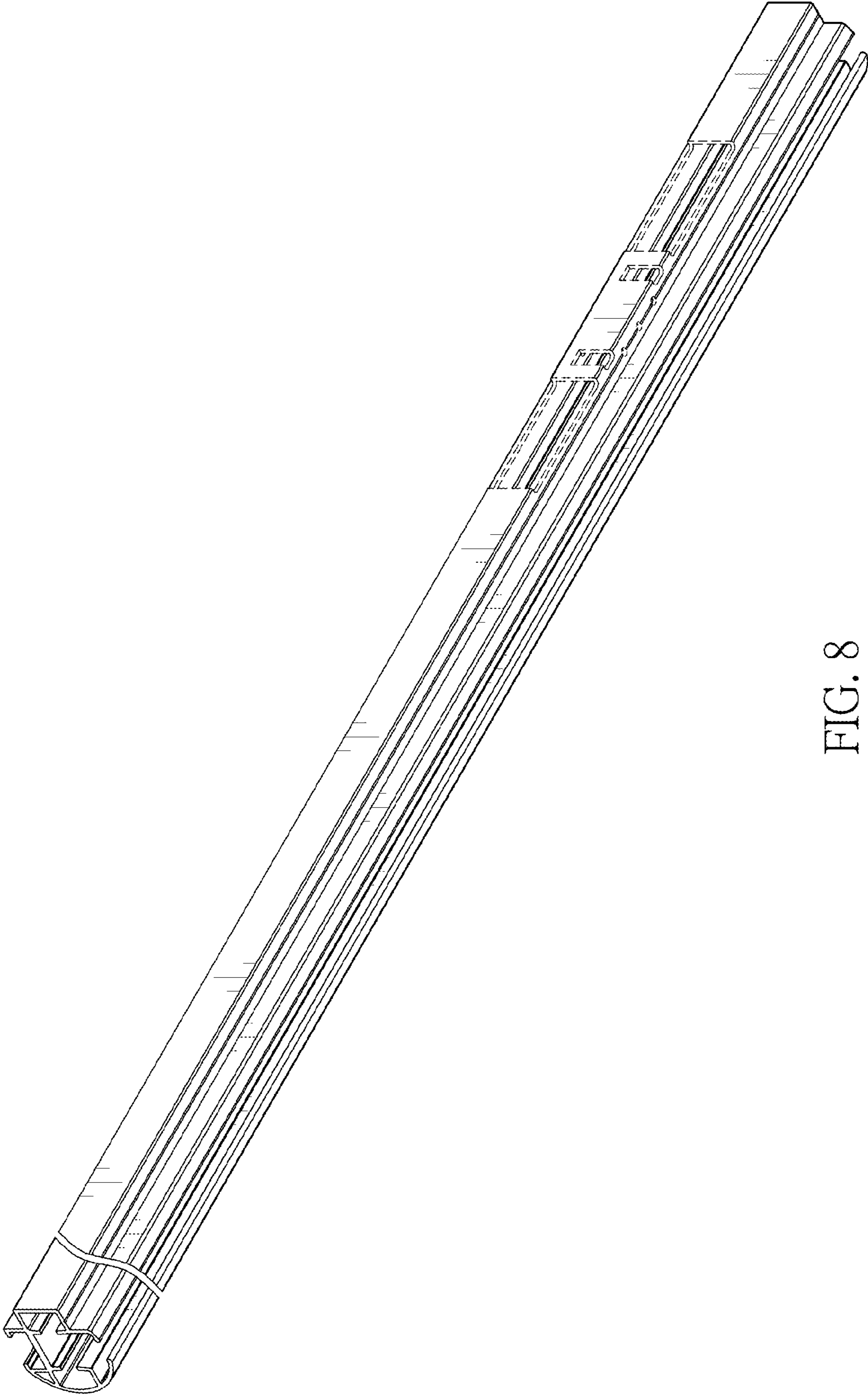


FIG. 8

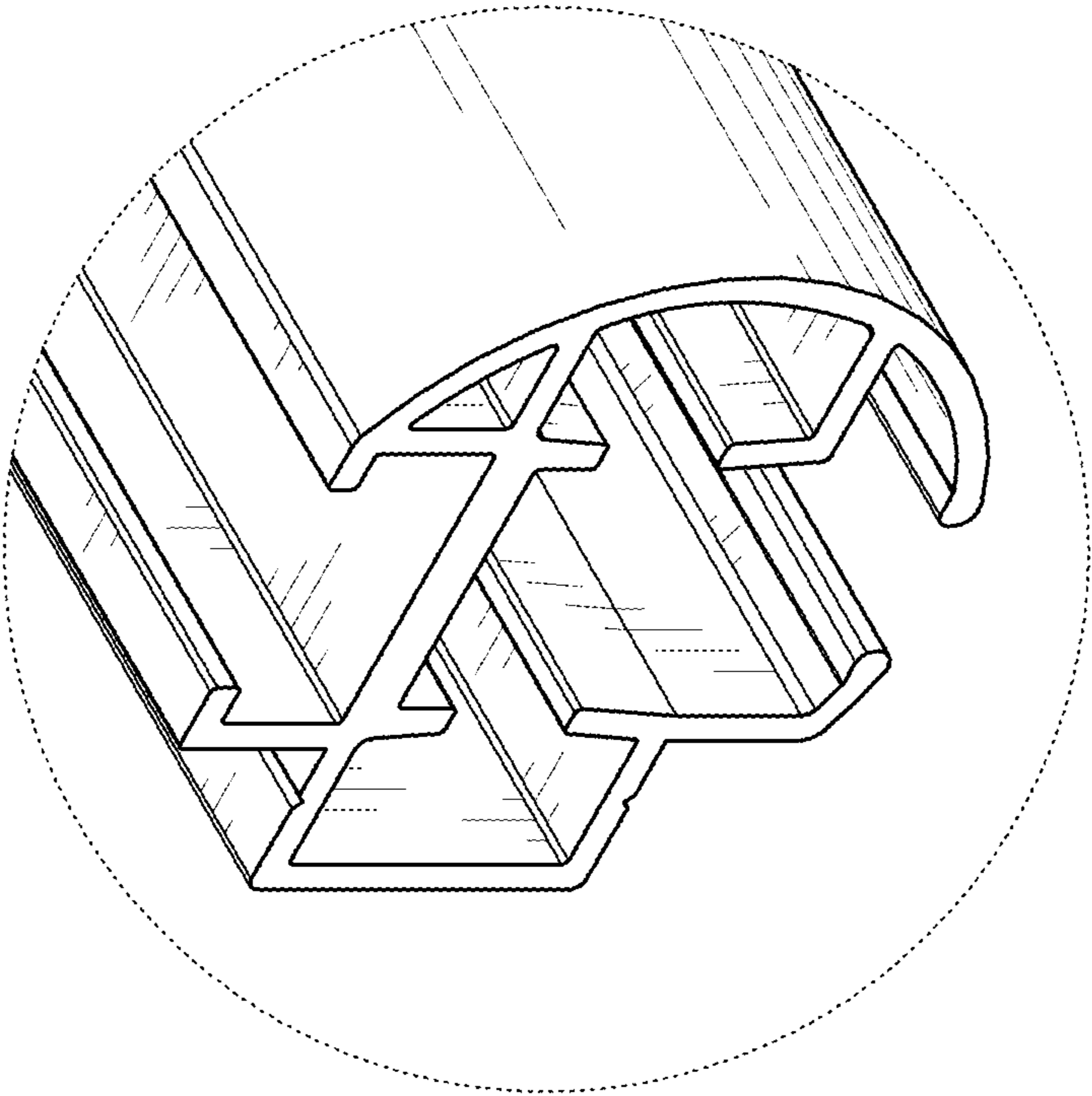


FIG. 9



