



US00D886490S

(12) **United States Design Patent**  
**Johnson**

(10) **Patent No.:** **US D886,490 S**  
(45) **Date of Patent:** **\*\* Jun. 9, 2020**

- (54) **HANGING POOL TRAY**
- (71) Applicant: **Curtis Laroy Johnson**, Conway, AR (US)
- (72) Inventor: **Curtis Laroy Johnson**, Conway, AR (US)
- (\*\*) Term: **15 Years**
- (21) Appl. No.: **29/670,173**
- (22) Filed: **Nov. 14, 2018**
- (51) **LOC (12) Cl.** ..... **06-04**
- (52) **U.S. Cl.**  
USPC ..... **D6/574**
- (58) **Field of Classification Search**  
USPC ..... D6/574, 362-368, 376-380, 692, 708, D6/708.21, 716, 716.1-716.4, 677.3; 297/152, 163, 230.12, 252-255, 352, 297/440.1, 440.24; D7/552.1, 552.2, D7/554.1, 554.4, 550.1, 554.2; 108/157.1, 157.13, 42, 44, 47; 211/133.1, 211/85.31, 88.1, 126.8, 126; 4/496, 498; 114/343, 362, 364; D21/803  
CPC ..... B63B 17/00; A47B 43/00; A47B 43/04; A47B 47/0066; A47B 63/00; A47B 69/00; A47B 71/00; A47B 96/022; A47B 57/42; A47B 96/02; A47B 57/46; A47B 96/06; B65D 51/00; A47F 7/0035  
See application file for complete search history.

- 6,474,244 B1 \* 11/2002 Karpinski ..... E04H 4/14 108/42
- 6,862,755 B1 \* 3/2005 Crachy ..... E04H 4/14 4/496
- D506,583 S \* 6/2005 Salonen ..... 182/93
- D692,702 S \* 11/2013 Miller ..... D6/677.3
- D714,562 S \* 10/2014 Chlapaty ..... D6/362
- D846,304 S \* 4/2019 Allen ..... D6/574
- D865,395 S \* 11/2019 Allen ..... D6/574
- D878,102 S \* 3/2020 Carr ..... D6/574
- 2003/0066462 A1 \* 4/2003 Getfield ..... A47B 31/06 108/44

\* cited by examiner

*Primary Examiner* — Wan Laymon  
*Assistant Examiner* — Mark Booker  
(74) *Attorney, Agent, or Firm* — Dunlap Bennett & Ludwig PLLC

(57) **CLAIM**

The ornamental design for a hanging pool tray, as shown and described.

**DESCRIPTION**

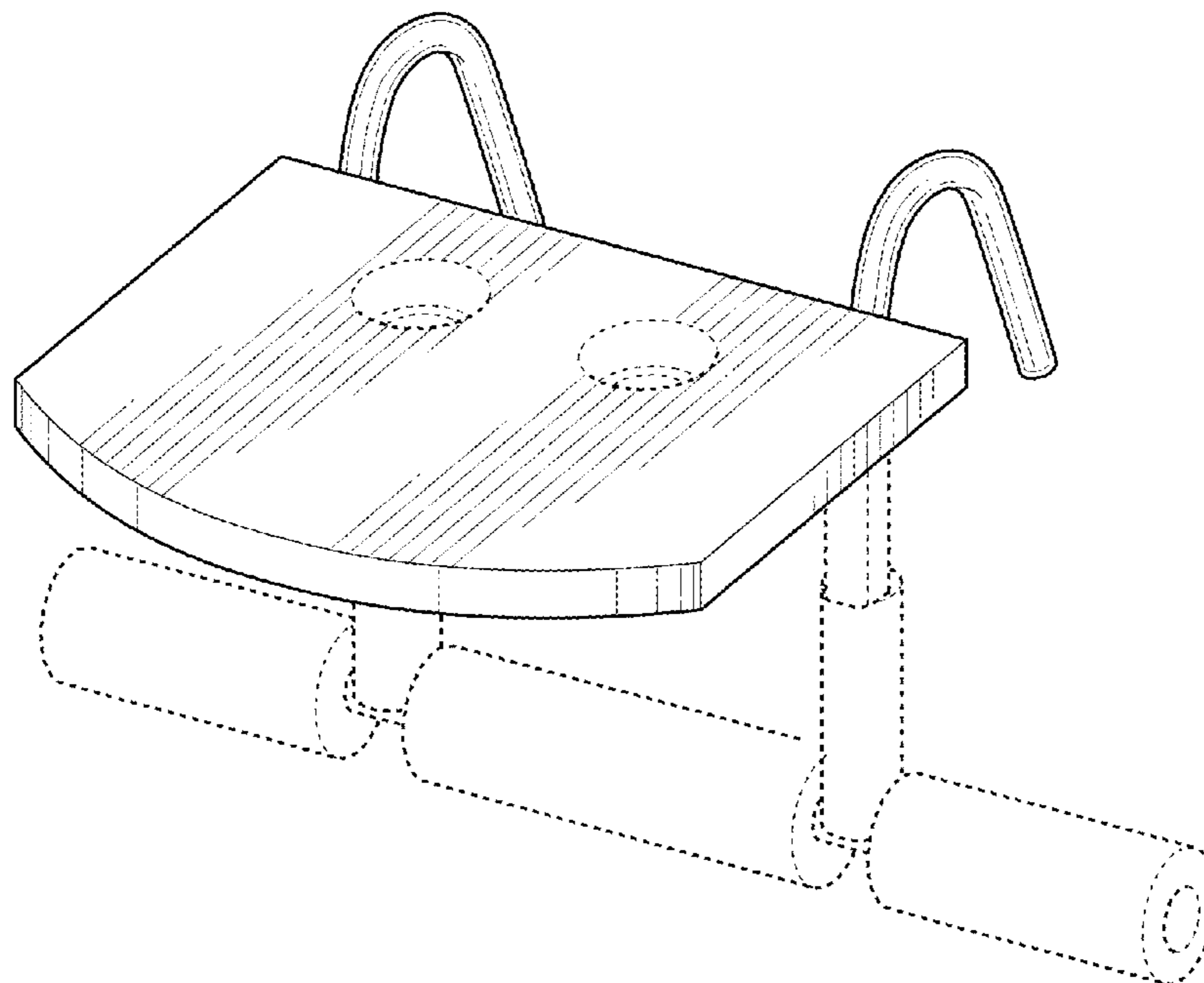
FIG. 1 is a front perspective view of a hanging pool tray, showing my new design;  
FIG. 2 is a top plan view thereof;  
FIG. 3 is a bottom plan view thereof;  
FIG. 4 is a front elevation view thereof;  
FIG. 5 is a rear elevation view thereof;  
FIG. 6 is a right side elevation view thereof; and,  
FIG. 7 is a left side elevation view thereof.  
The broken lines shown in the drawings depict portions of the hanging pool tray that form no part of the claimed design.

**1 Claim, 4 Drawing Sheets**

(56) **References Cited**

U.S. PATENT DOCUMENTS

- 4,495,883 A \* 1/1985 Hoy ..... B63B 27/14 114/343
- 4,893,363 A \* 1/1990 Huff ..... E04H 4/144 108/47



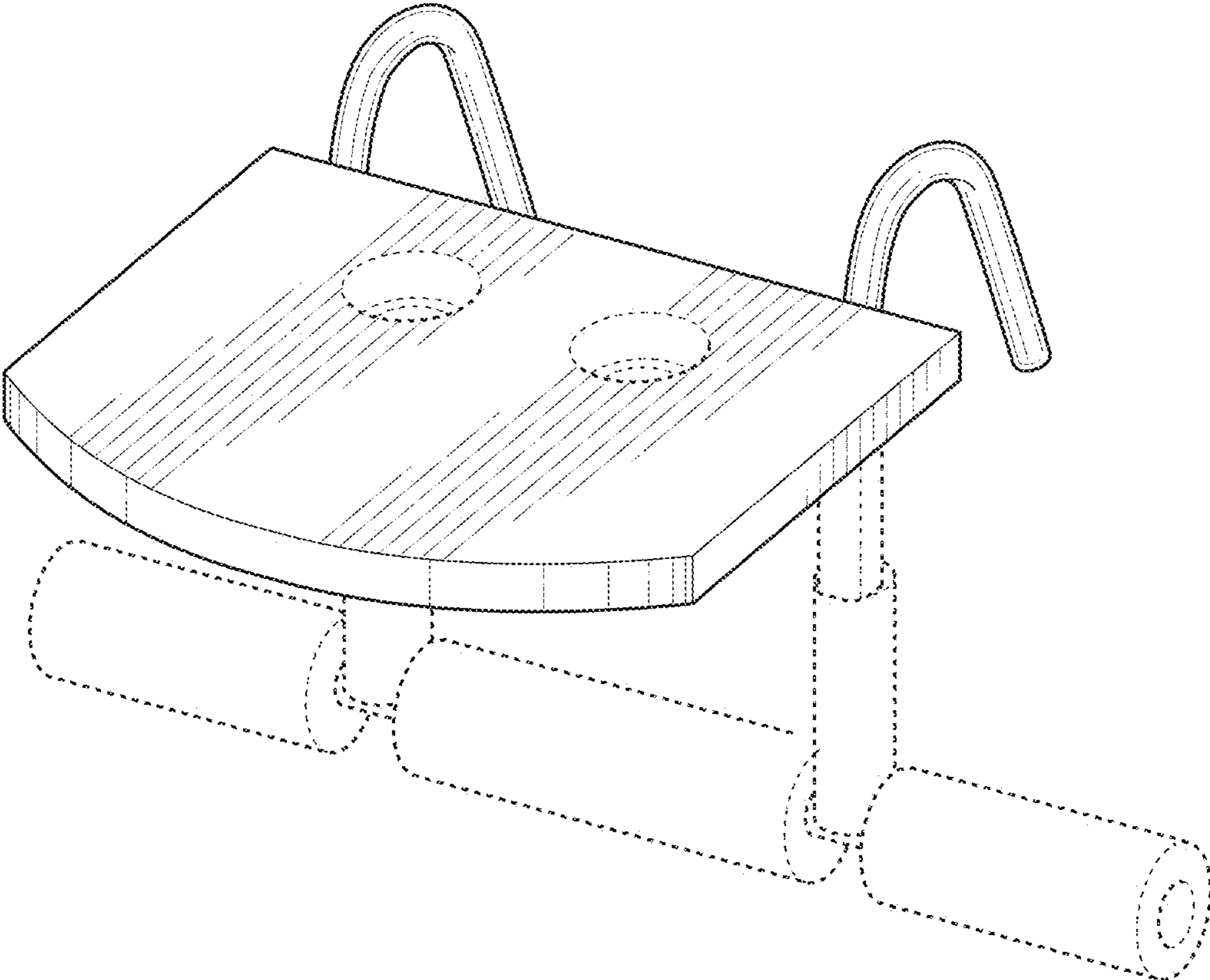
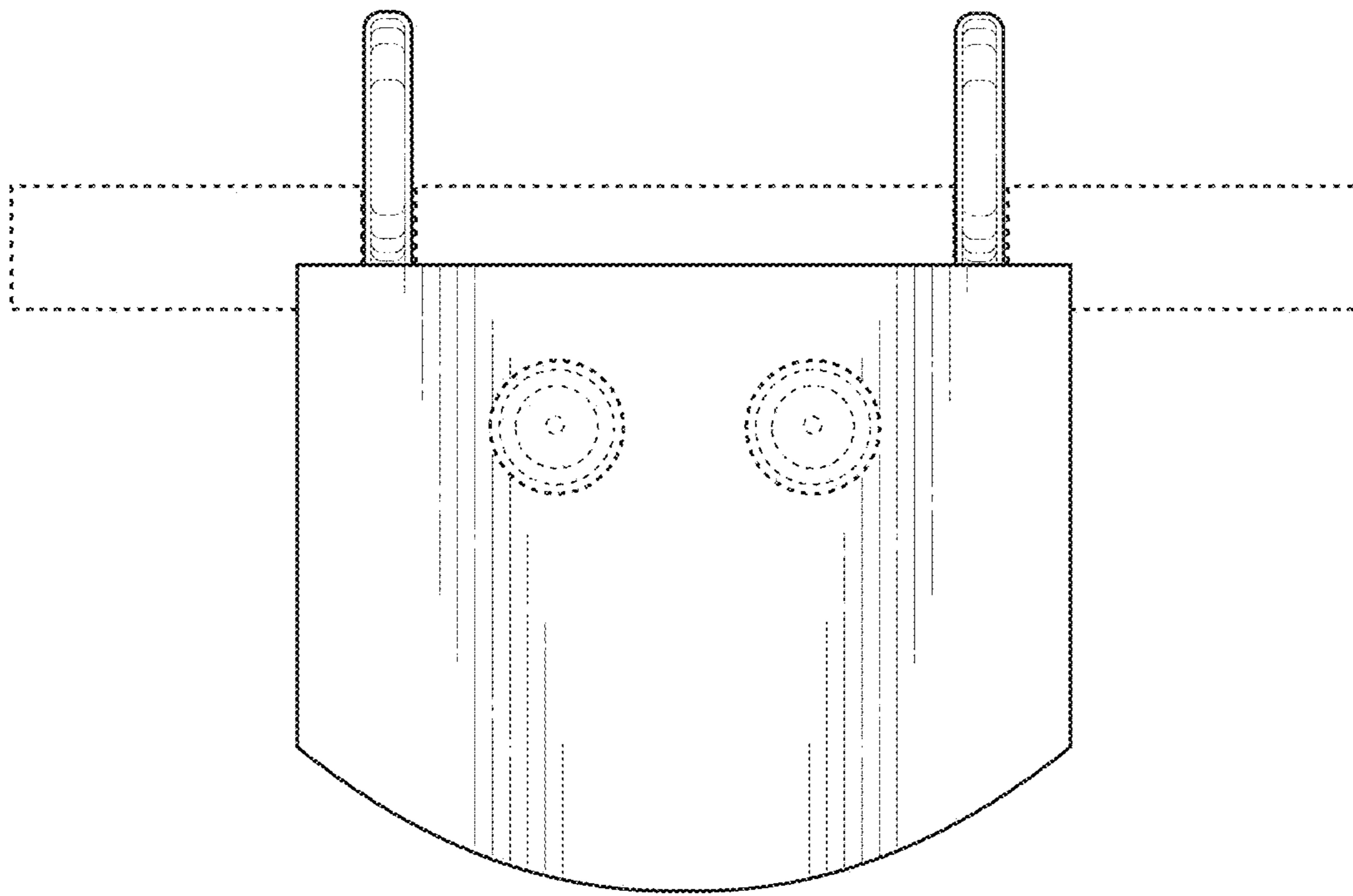
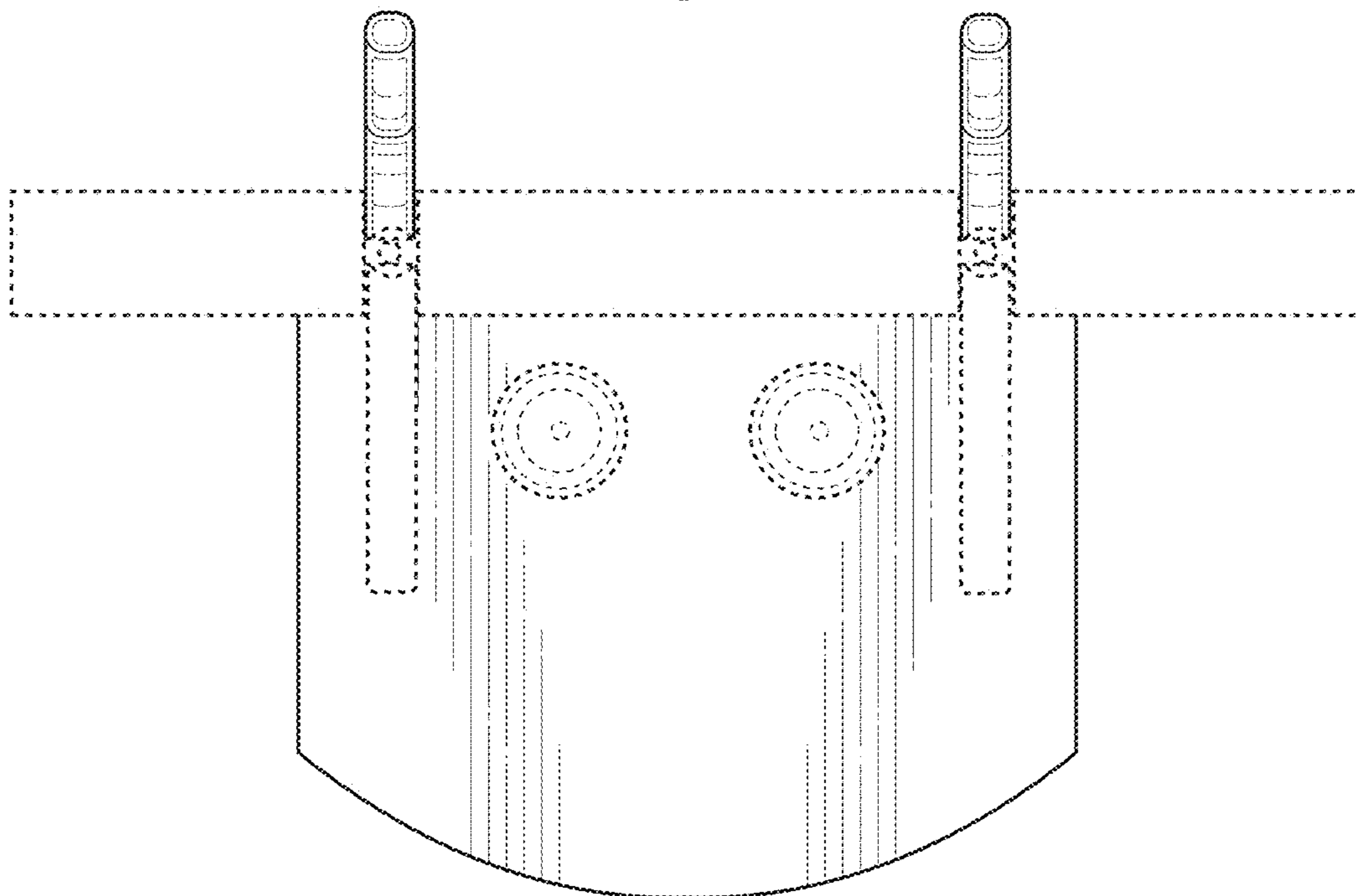


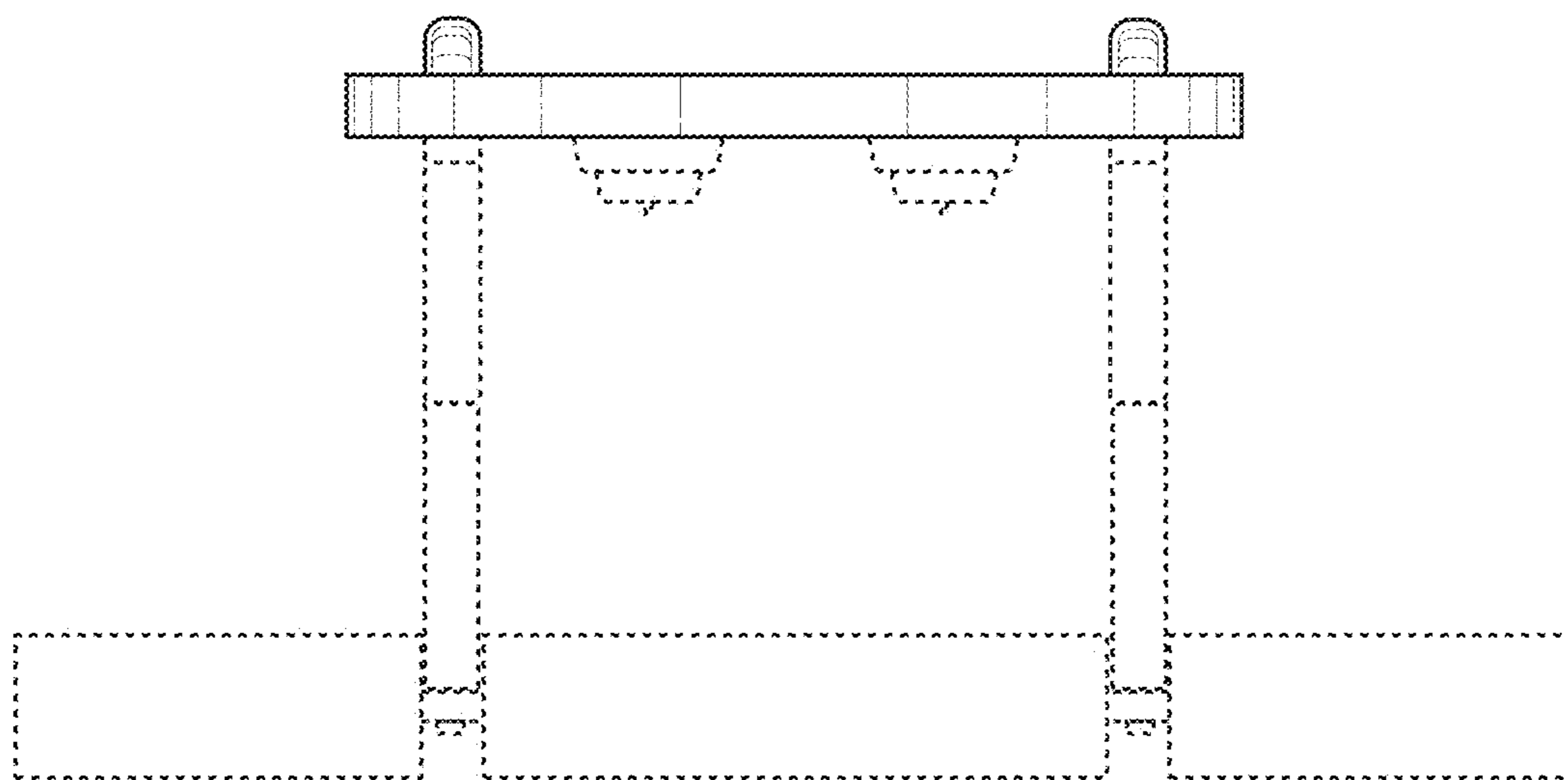
FIG. 1



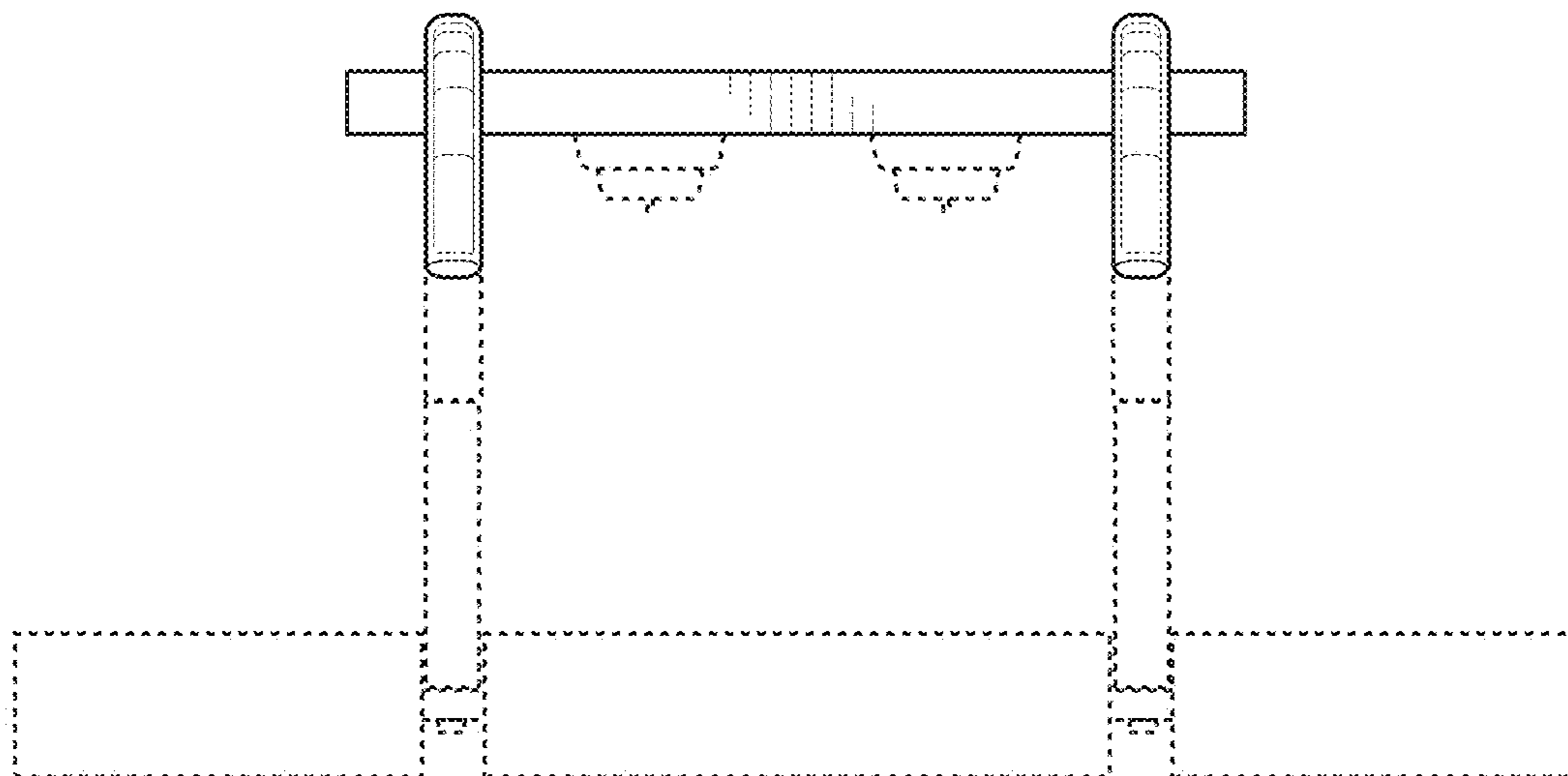
**FIG. 2**



**FIG. 3**



**FIG. 4**



**FIG. 5**

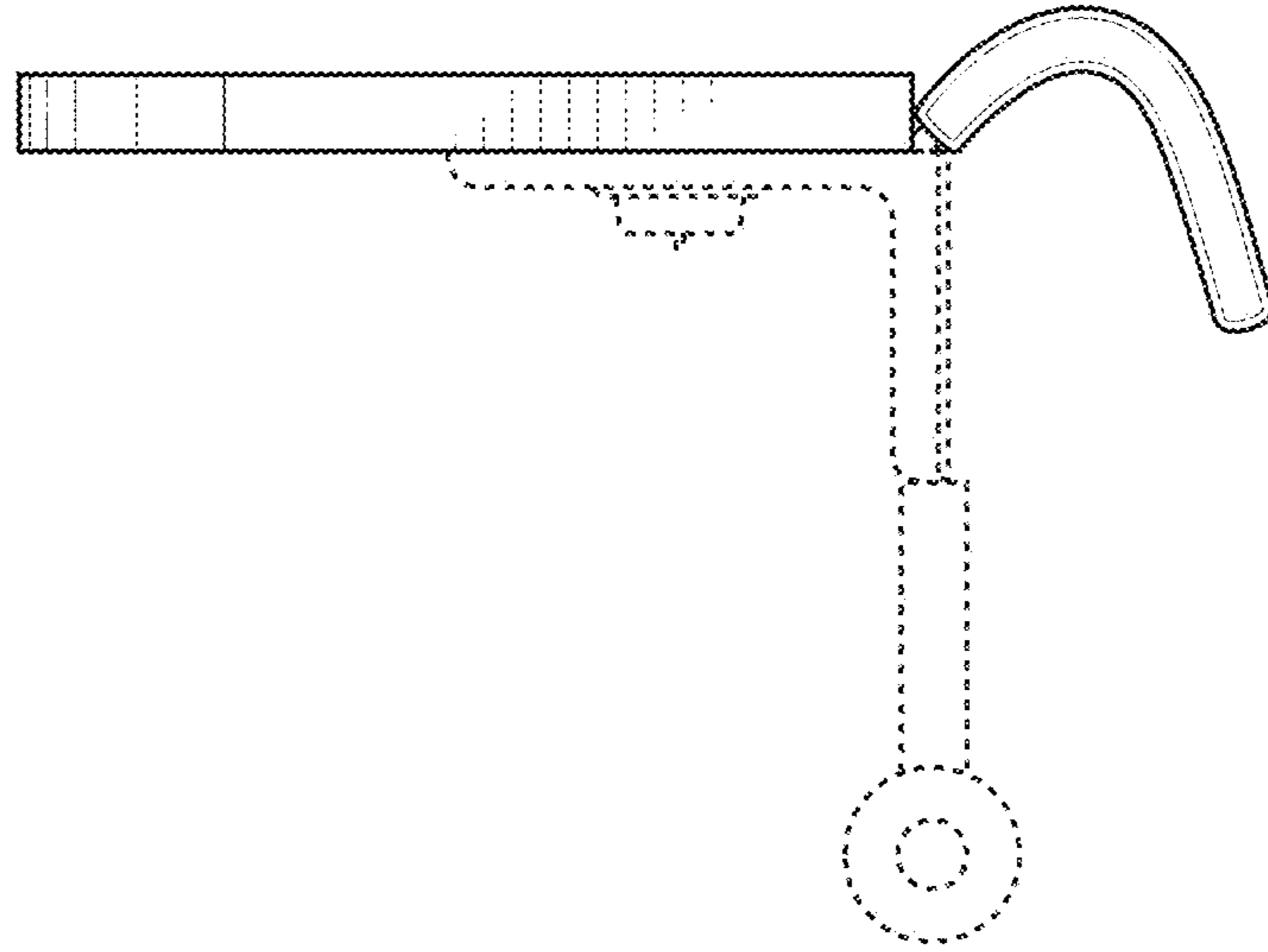


FIG. 6

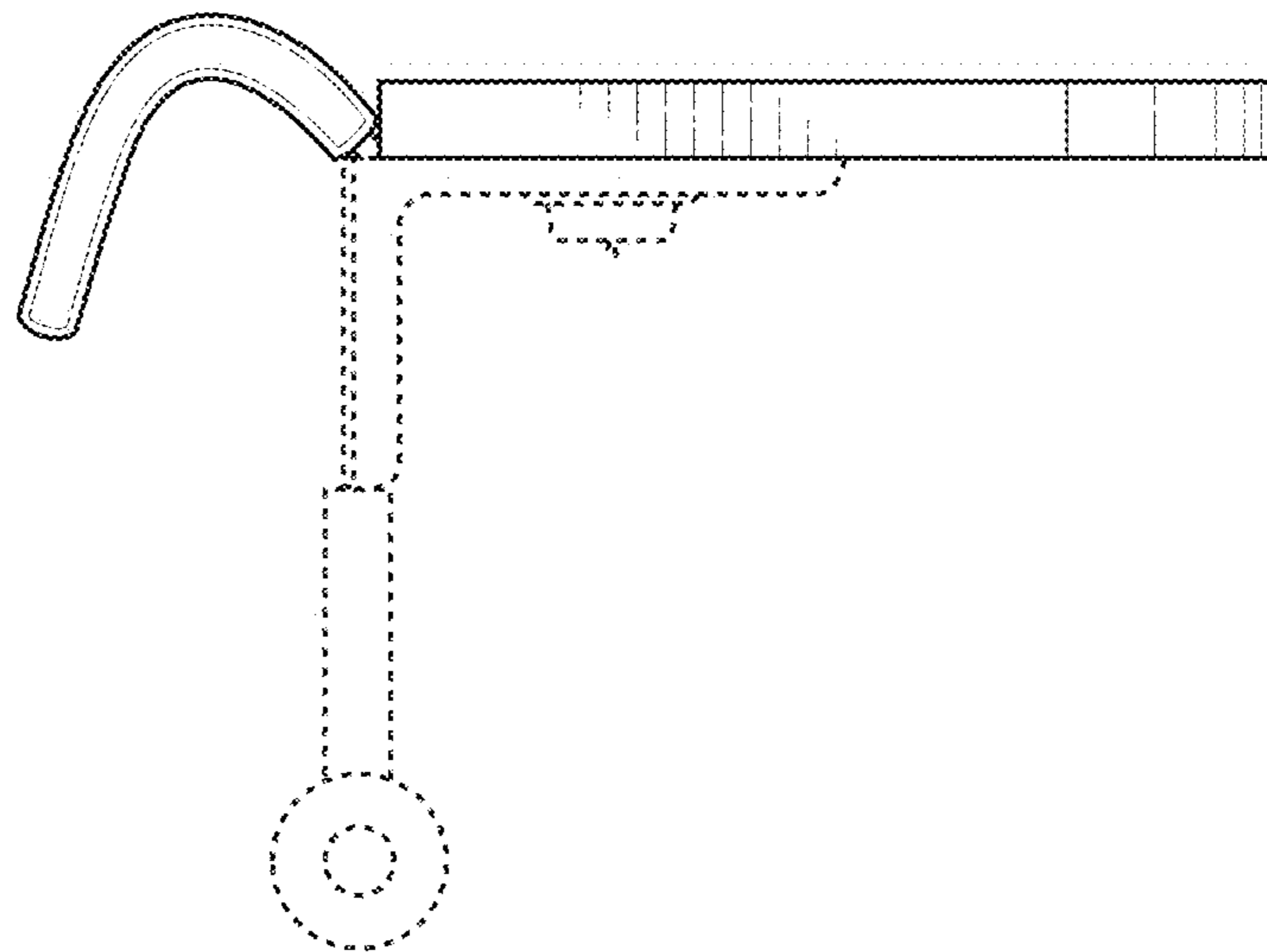


FIG. 7