



US00D886489S

(12) **United States Design Patent** (10) **Patent No.:** **US D886,489 S**
Prommel et al. (45) **Date of Patent:** **** Jun. 9, 2020**

(54) **SUCTION TOOTHBRUSH HOLDER**

D556,484 S * 12/2007 Bender D6/528
D569,150 S * 5/2008 Vasilev D6/534
D841,337 S * 2/2019 Mauffette D4/113

(71) Applicants: **Mark Prommel**, Montclair, NJ (US);
Adem Onalan, Jersey City, NJ (US);
Eric Harsh, Brooklyn, NY (US)

* cited by examiner

(72) Inventors: **Mark Prommel**, Montclair, NJ (US);
Adem Onalan, Jersey City, NJ (US);
Eric Harsh, Brooklyn, NY (US)

Primary Examiner — Wan Laymon

Assistant Examiner — Mark Booker

(73) Assignee: **Helen of Troy Limited**, St. Michael
(BB)

(74) *Attorney, Agent, or Firm* — Rankin Hill & Clark
LLP

(**) Term: **15 Years**

(57) **CLAIM**

(21) Appl. No.: **29/676,641**

The ornamental design for a suction toothbrush holder, as shown, and described.

(22) Filed: **Jan. 13, 2019**

(51) **LOC (12) Cl.** **04-02**

(52) **U.S. Cl.**

USPC **D6/534**

(58) **Field of Classification Search**

USPC D6/534, 528-531; 206/361, 362, 362.1,
206/362.2, 362.3, 209; 211/13.1, 60.1,
211/65, 66, 70.6, 89.01; 248/110;
D3/310; D4/113, 109, 114, 199, 116;
312/206

CPC .. A47K 1/09; A47K 5/18; A46B 17/04; A46B
15/0091; A61L 2/183; A61L 2/18; A45D
44/18

See application file for complete search history.

DESCRIPTION

FIG. 1 is a perspective view of a suction toothbrush holder;
FIG. 2 is a front elevation view thereof;
FIG. 3 is a rear elevation view thereof;
FIG. 4 is a side view thereof;
FIG. 5 is a top plan view thereof; and,
FIG. 6 is a bottom plan view thereof.

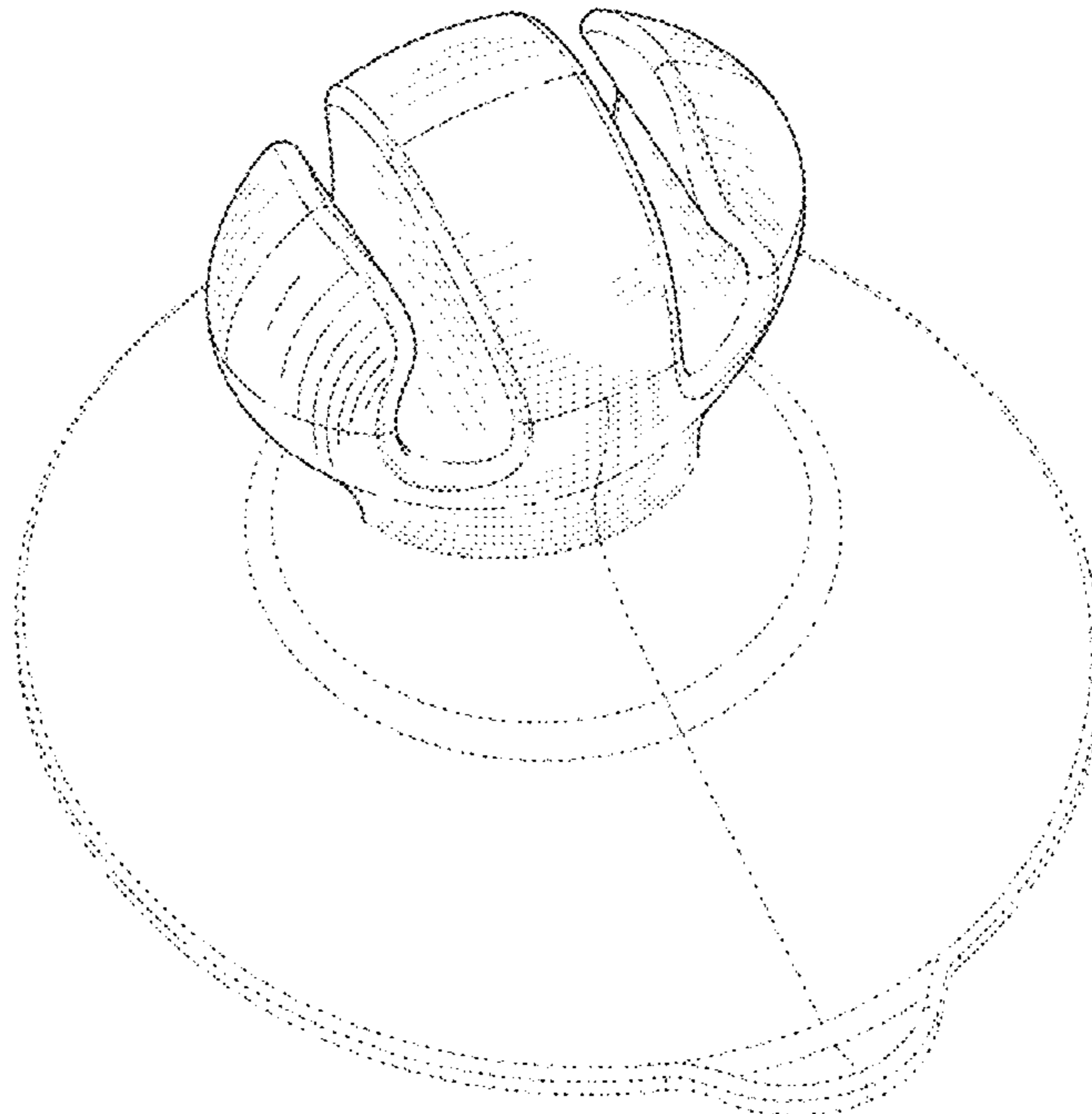
The broken lines shown in the figures represent portions of the suction toothbrush holder that form no part of the claimed design. The broken line showing immediately adjacent the shaded areas represents boundaries to the claimed design and forms no part of the claimed design.

(56) **References Cited**

U.S. PATENT DOCUMENTS

D451,730 S * 12/2001 Henderson D6/534
D451,731 S * 12/2001 Henderson D6/534
D498,958 S * 11/2004 Henry D6/534

1 Claim, 6 Drawing Sheets



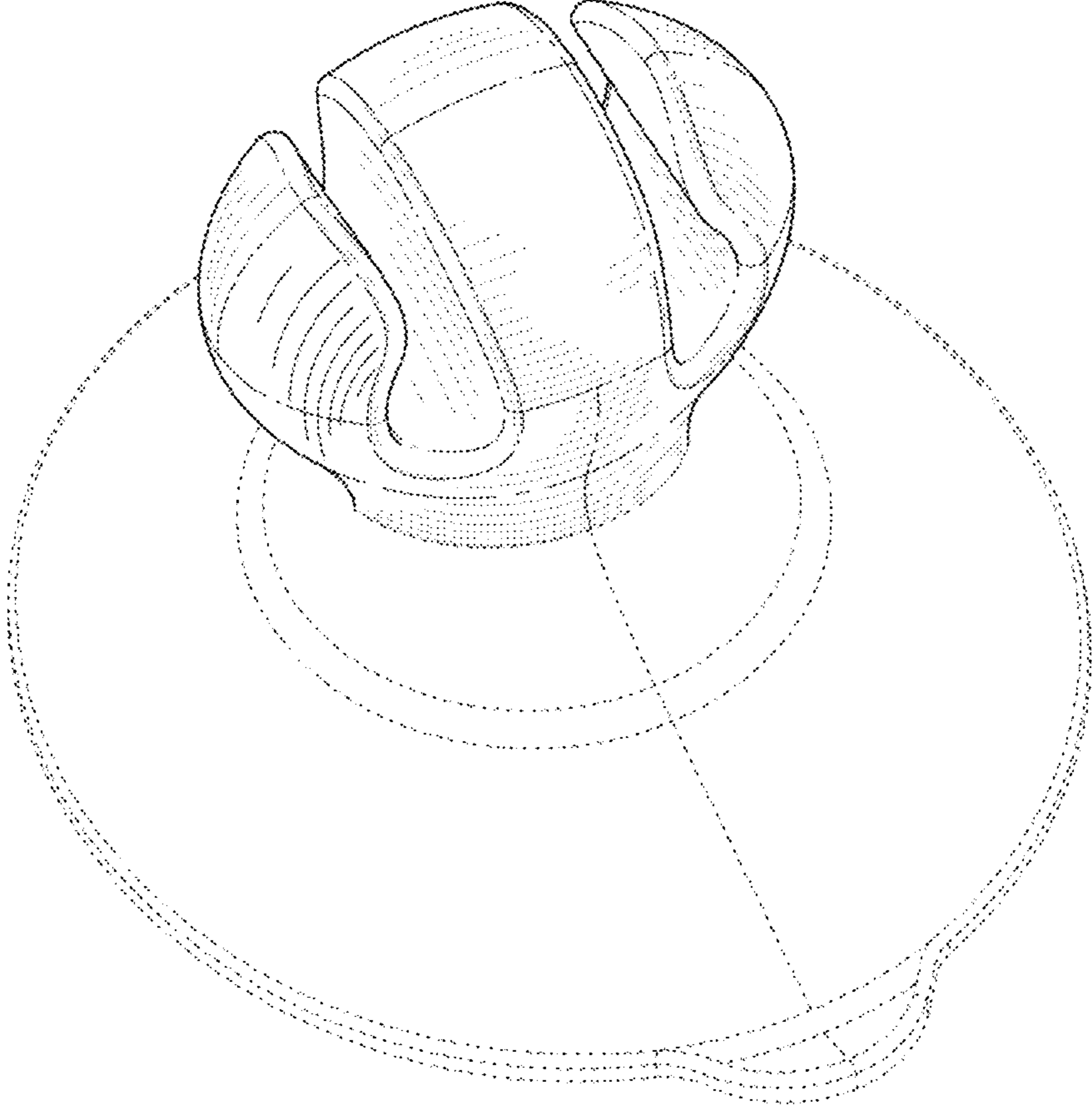


FIG. 1

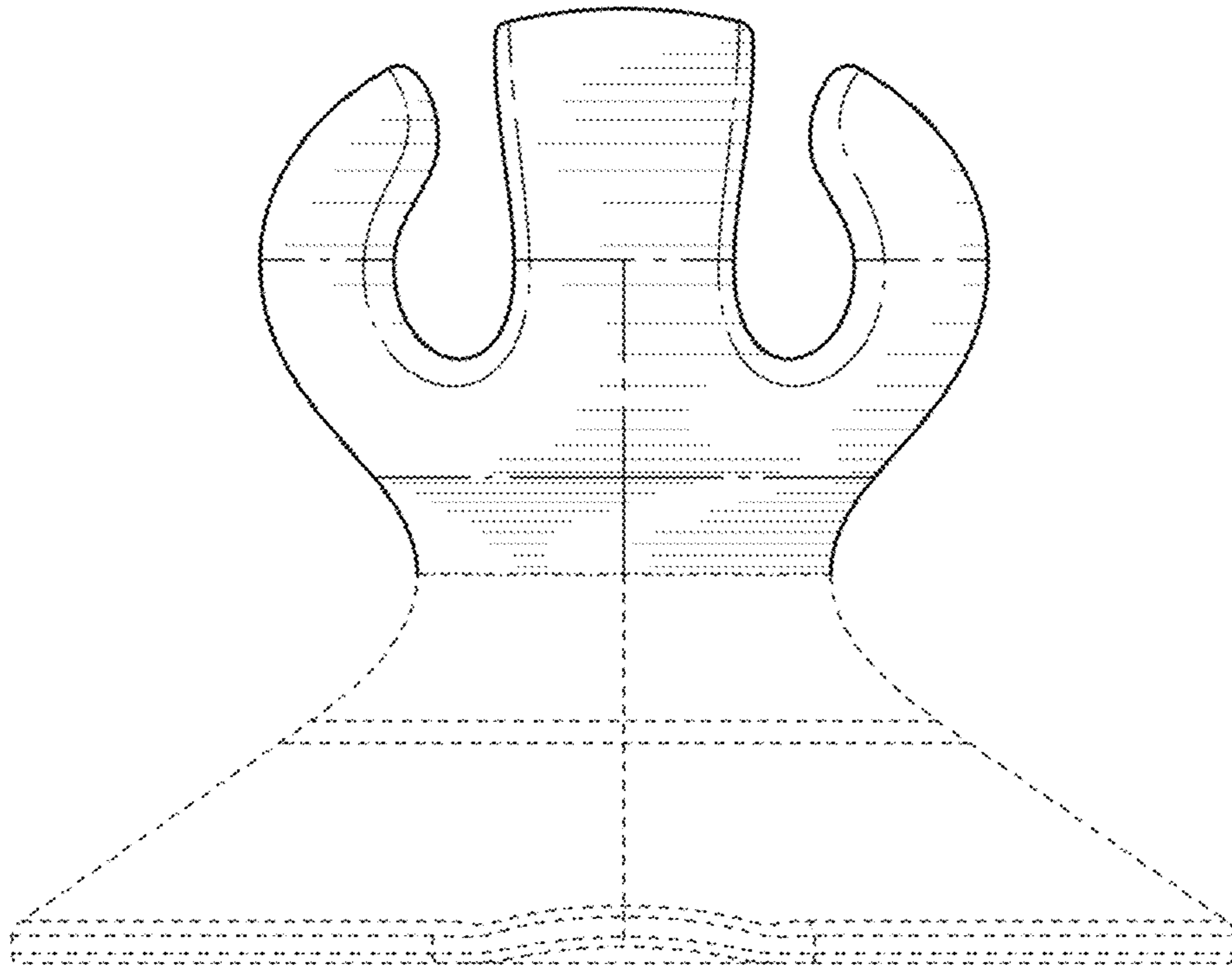


FIG. 2

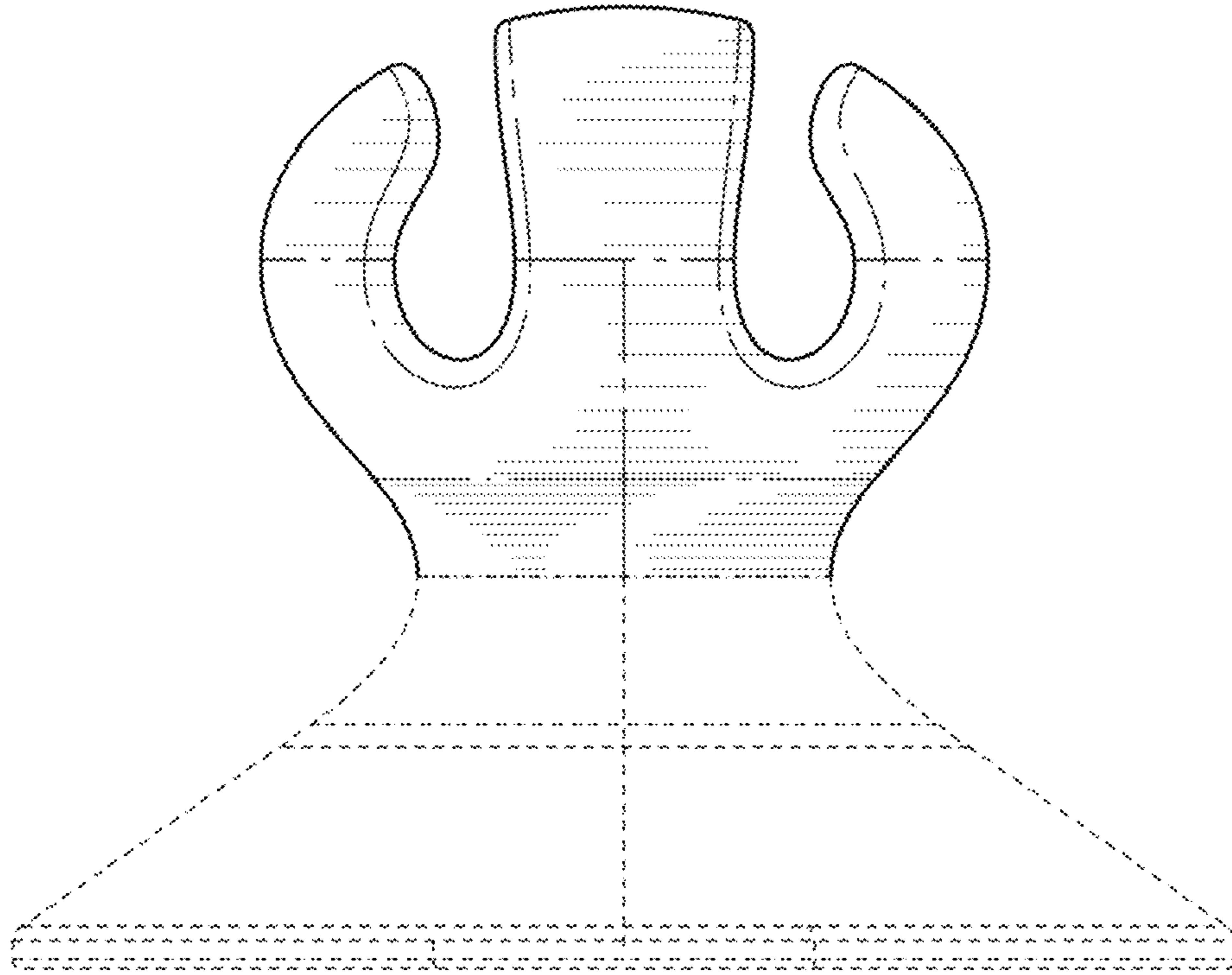


FIG. 3

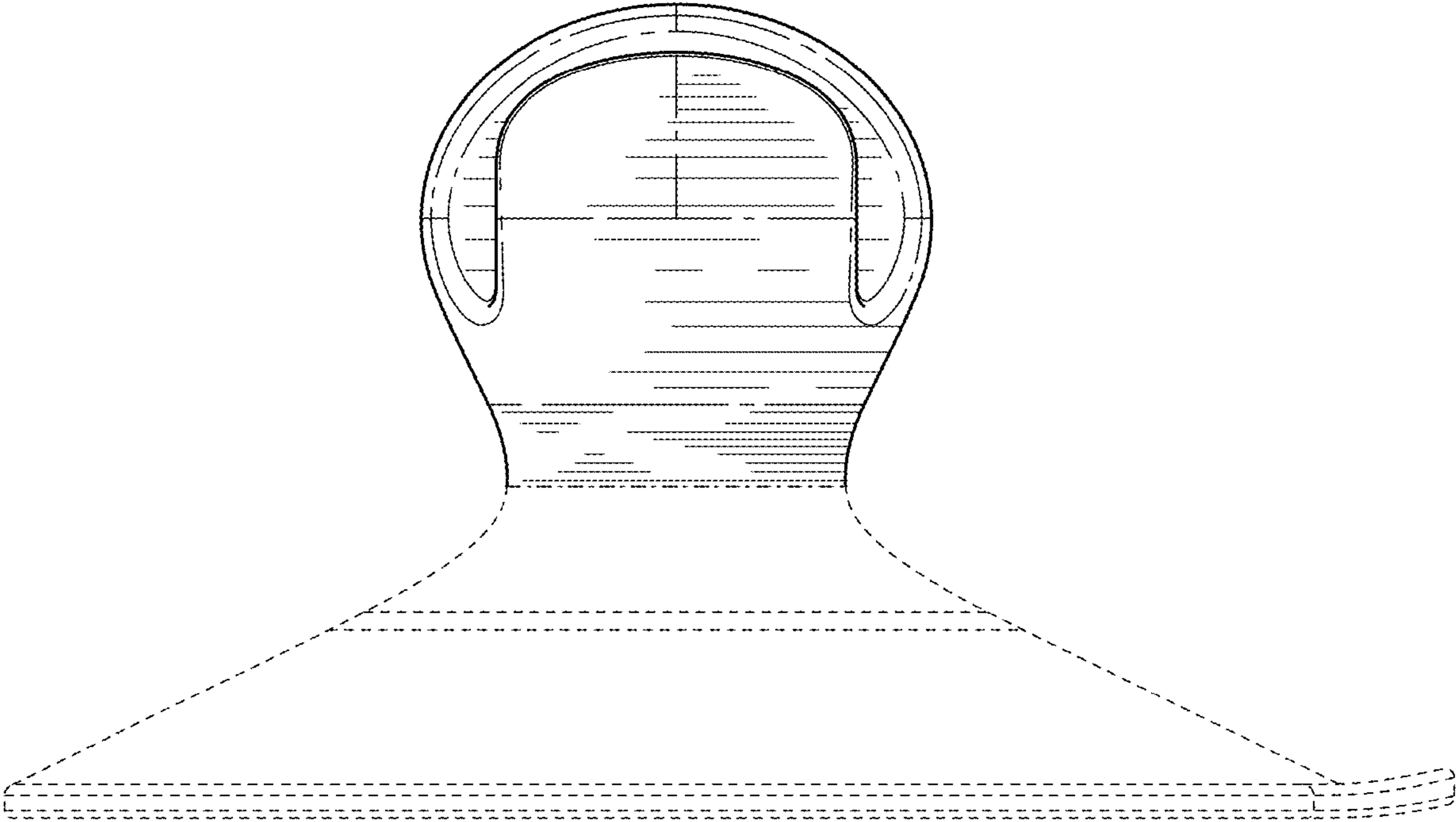


FIG. 4

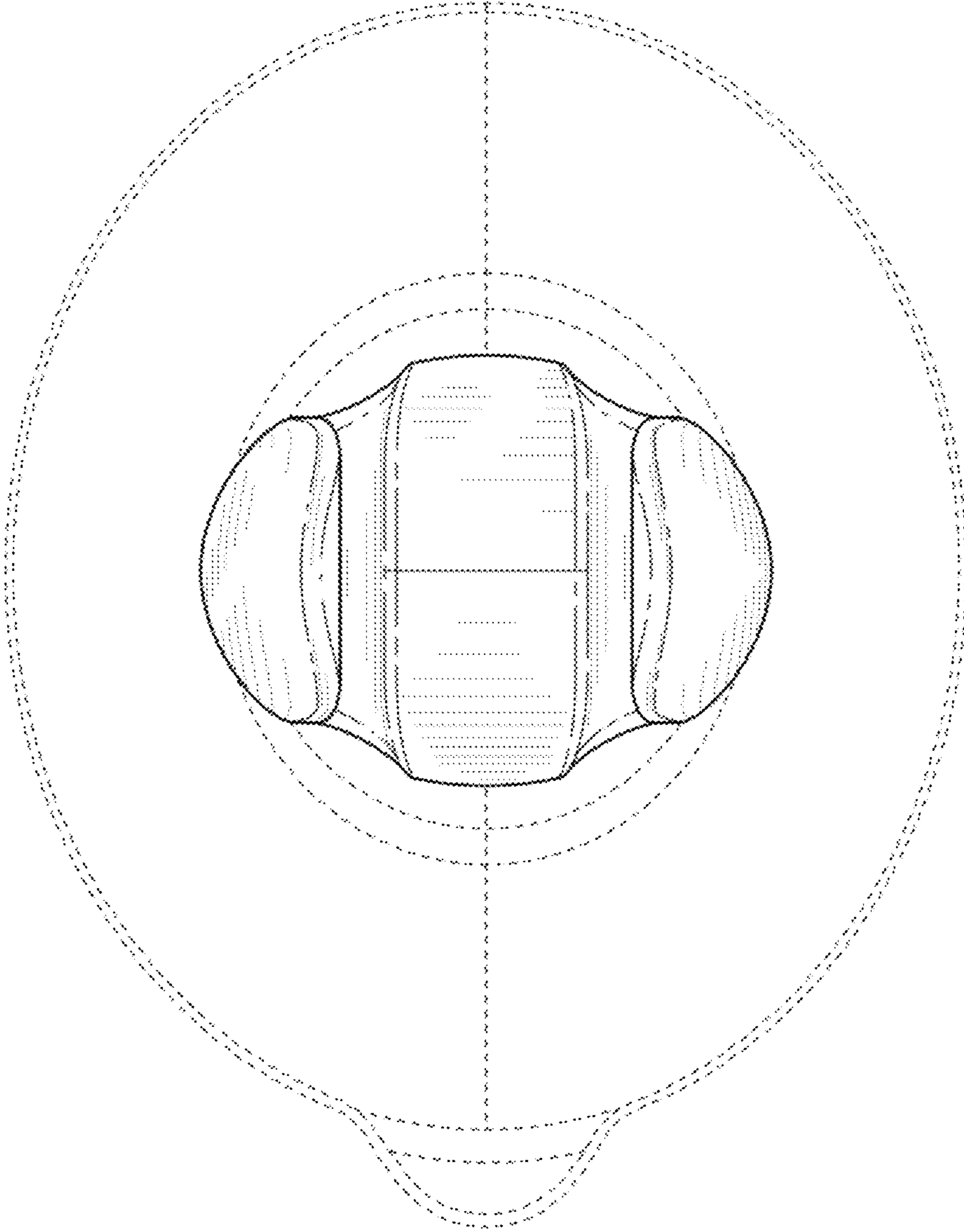


FIG. 5

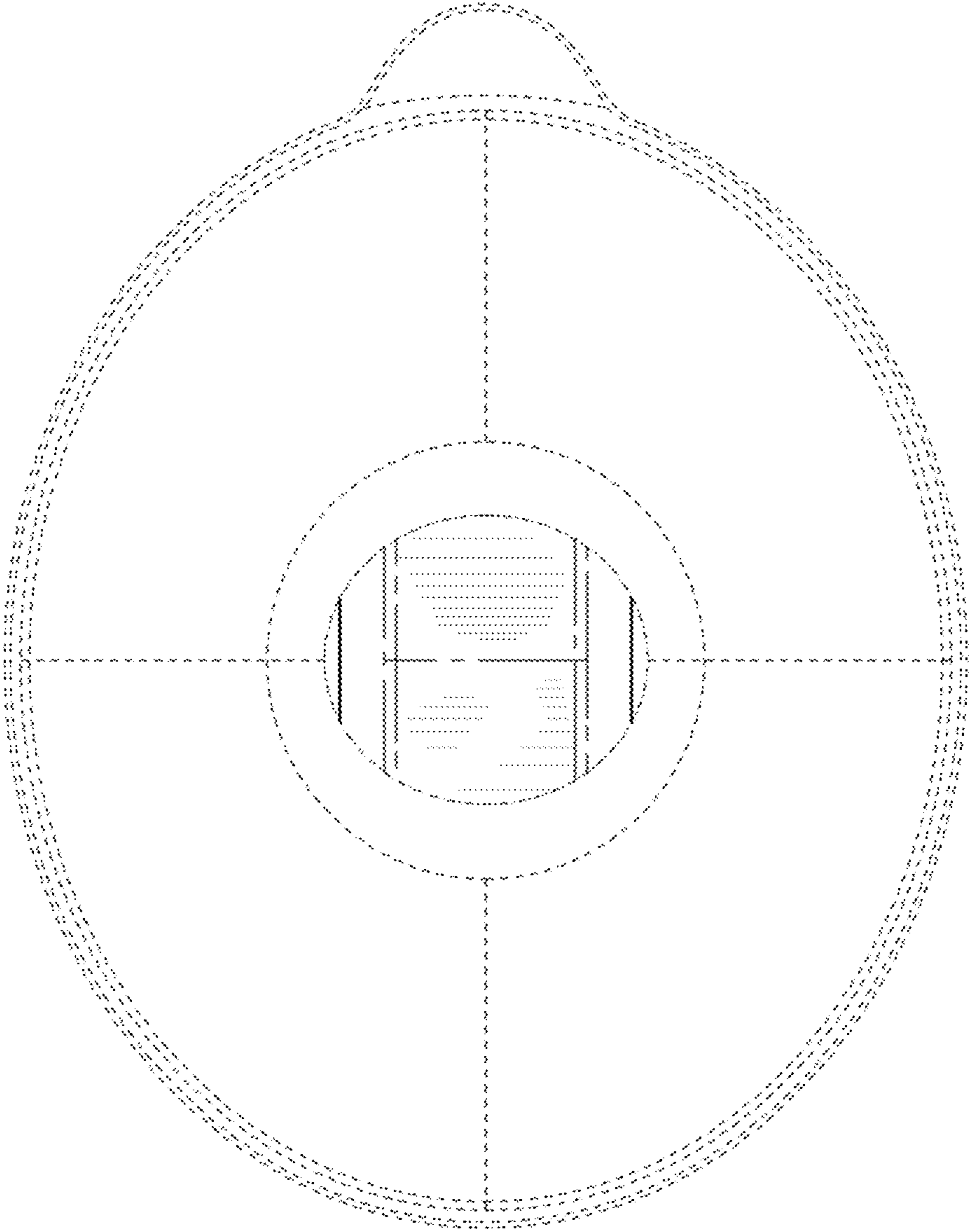


FIG. 6