



US00D886488S

(12) **United States Design Patent** (10) **Patent No.:** **US D886,488 S**
Orban et al. (45) **Date of Patent:** **** Jun. 9, 2020**

(54) **PAPER DISPENSER**
 (71) Applicant: **CASCADES CANADA ULC**,
 Montreal (CA)
 (72) Inventors: **Benoit Orban**, Saint-Lambert (CA);
Mélody Sue Myette, Montreal (CA)

3,329,366 A 7/1967 Batlas et al.
 3,361,504 A 1/1968 Maslow et al.
 3,437,388 A 4/1969 Jespersen
 3,484,052 A 12/1969 Clarke
 3,586,252 A 6/1971 Sutton
 3,620,466 A 11/1971 Bump
 3,677,485 A 7/1972 Berg

(Continued)

(73) Assignee: **CASCADES CANADA ULC**,
 Montreal (CA)

FOREIGN PATENT DOCUMENTS

(**) Term: **15 Years**

CA 2090778 A1 2/1994
 CA 2116671 C 10/1995

(Continued)

(21) Appl. No.: **29/657,743**

Primary Examiner — Wan Laymon

(22) Filed: **Jul. 25, 2018**

Assistant Examiner — Mark Booker

(30) **Foreign Application Priority Data**

(74) *Attorney, Agent, or Firm* — Marshall, Gerstein &
 Borun LLP

May 29, 2018 (CA) 181663

(51) **LOC (12) Cl.** **20-02**

(52) **U.S. Cl.**
 USPC **D6/520**

(58) **Field of Classification Search**
 USPC D6/523, 515, 518–522; D3/201;
 206/389, 391, 407, 409; 211/16, 85.5,
 211/59.2; 312/34.1, 34.8; 221/92, 97,
 221/185, 282, 284; 242/59, 159, 160.2,
 242/550, 560, 590, 588, 589, 589.3, 594,
 242/598.65, 564.2, 563
 CPC A47K 10/3836; A47K 2010/3253; A47K
 10/38; Y10T 225/282; Y10T 225/237
 See application file for complete search history.

(57) **CLAIM**

The ornamental design for a paper dispenser, as shown and
 described.

DESCRIPTION

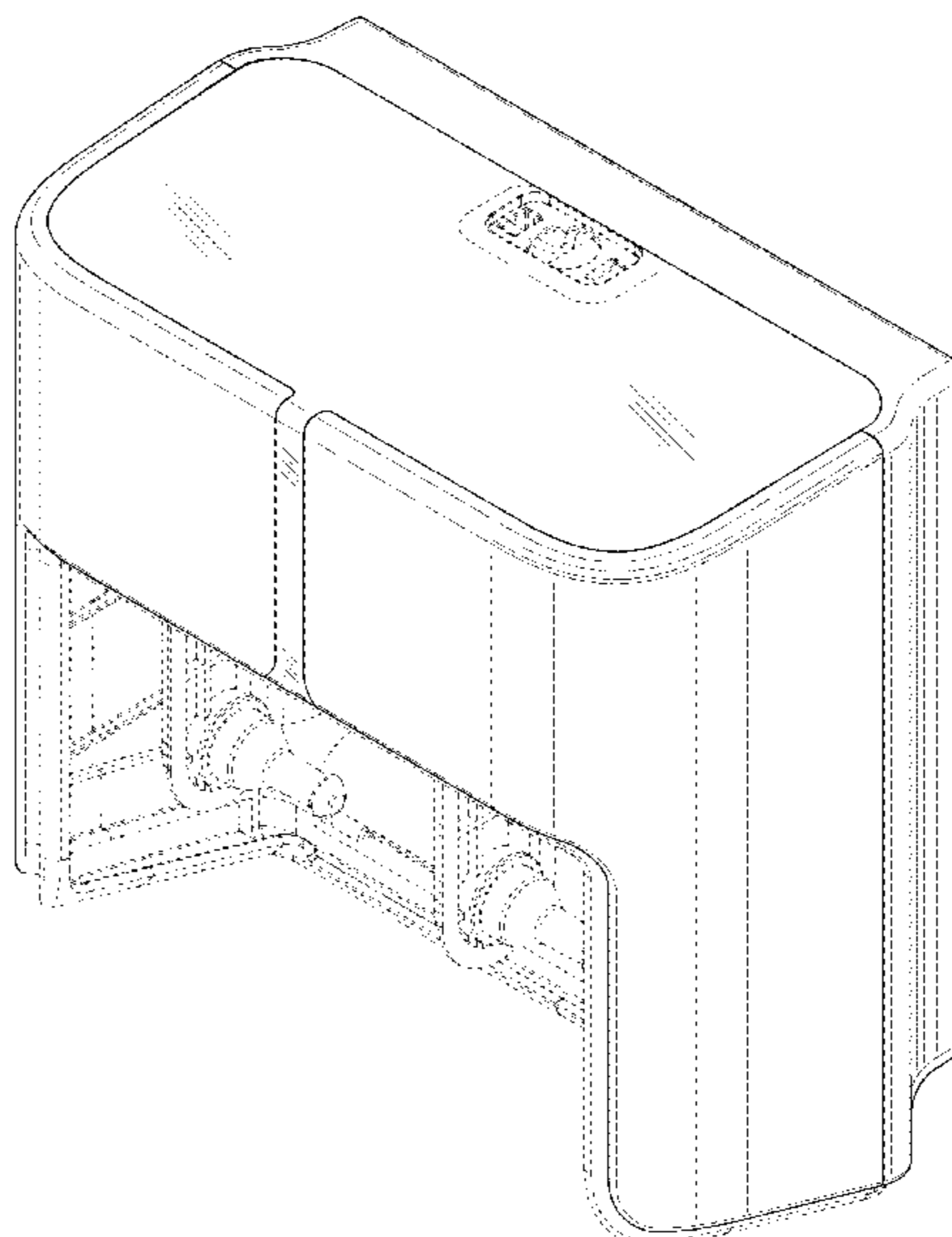
FIG. 1 is a perspective view of a paper dispenser;
 FIG. 2 is a front elevation view of the paper dispenser shown
 in FIG. 1;
 FIG. 3 is a rear elevation view of the paper dispenser shown
 in FIG. 1;
 FIG. 4 is left-side elevation view of the paper dispenser
 shown in FIG. 1;
 FIG. 5 is right-side elevation view of the paper dispenser
 shown in FIG. 1;
 FIG. 6 is a top plan view of the paper dispenser shown in
 FIG. 1; and,
 FIG. 7 is a bottom plan view of the paper dispenser shown
 in FIG. 1.
 The broken lines shown in the figures represent portions of
 the paper dispenser that form no part of the claimed design.

(56) **References Cited**

U.S. PATENT DOCUMENTS

2,198,176 A 4/1940 Perrin
 3,010,670 A 11/1961 Jones et al.
 3,101,181 A 8/1963 Clelland et al.
 3,184,176 A 5/1965 Tucker et al.
 3,211,504 A 10/1965 Bump

1 Claim, 6 Drawing Sheets



(56)

References Cited

U.S. PATENT DOCUMENTS

3,690,580 A	9/1972	Jespersen	7,841,558 B2	11/2010	Elliott et al.
3,770,222 A	11/1973	Jespersen	7,861,964 B2	1/2011	Cittadino et al.
3,948,454 A	4/1976	Bastian	7,866,593 B2	1/2011	Friesen et al.
4,108,389 A	8/1978	Womack	7,878,444 B2	2/2011	Friesen et al.
4,205,802 A	6/1980	Economakis	D634,953 S *	3/2011	Meyerhoffer D6/518
4,389,026 A	6/1983	Willa et al.	7,913,945 B2	3/2011	Friesen et al.
4,410,221 A	10/1983	Vallis et al.	7,967,235 B2	6/2011	Forman et al.
4,422,584 A	12/1983	Dashnier et al.	D649,820 S *	12/2011	Stutzel D6/518
4,422,585 A	12/1983	Schultz et al.	D653,888 S	2/2012	Velazquez et al.
4,432,261 A	2/1984	DeLuca	D654,740 S	2/2012	Cheng et al.
4,607,809 A	8/1986	Sineni et al.	D656,766 S	4/2012	Velazquez et al.
4,747,365 A	5/1988	Tusch	D660,013 S	5/2012	Tardif et al.
4,872,601 A	10/1989	Sigmund	D666,035 S	8/2012	Velazquez et al.
5,172,840 A	12/1992	Bloch et al.	D667,640 S	9/2012	Bosse et al.
5,265,816 A	11/1993	Collins	8,256,644 B2	9/2012	Orgna
5,271,574 A	12/1993	Formon et al.	D673,778 S	1/2013	Bosse et al.
5,288,032 A	2/1994	Boone et al.	D674,633 S	1/2013	Green et al.
5,310,129 A	5/1994	Whittington et al.	D676,248 S	2/2013	Bosse et al.
5,449,127 A	9/1995	Davis	D677,085 S	3/2013	Velazquez et al.
5,495,997 A	3/1996	Moody	D681,987 S	5/2013	Cittadino et al.
5,628,474 A	5/1997	Krueger et al.	8,439,293 B2	5/2013	Hagleitner
5,645,244 A	7/1997	Moody	8,511,600 B2	8/2013	Formon et al.
5,669,576 A	9/1997	Moody	D688,895 S	9/2013	Sun Ting Kung et al.
5,690,299 A	11/1997	Perrin et al.	D708,865 S	7/2014	Sun Ting Kung et al.
5,762,286 A	6/1998	Schutz	D711,663 S	8/2014	Walters
5,762,287 A	6/1998	Schutz	D727,058 S	4/2015	Morand
5,813,624 A	9/1998	Grasso et al.	D727,652 S	4/2015	Sun Ting Kung et al.
5,833,169 A	11/1998	Morand	D740,587 S	10/2015	Sun Ting Kung et al.
5,868,342 A	2/1999	Moody et al.	9,192,268 B2	11/2015	Denis et al.
5,873,542 A	2/1999	Perrin et al.	9,241,601 B2	1/2016	Case et al.
5,954,256 A	9/1999	Niada	D754,453 S	4/2016	Mrvica
6,027,002 A	2/2000	Granger	D756,683 S	5/2016	Morand
6,036,134 A	3/2000	Moody	9,326,648 B2	5/2016	Trampolski
6,089,499 A	7/2000	Robinson	9,370,283 B2	6/2016	Fellhoelter
6,145,779 A	11/2000	Johnson et al.	D761,585 S	7/2016	Roche et al.
D437,518 S *	2/2001	Andersson D6/518	D766,612 S	9/2016	Roche et al.
6,202,956 B1	3/2001	Grasso et al.	D767,297 S	9/2016	Madsen et al.
D441,578 S *	5/2001	Andersson D6/518	D773,834 S	12/2016	Croteau et al.
D447,372 S	9/2001	Fisscher	D775,849 S	1/2017	Brickl
D447,373 S	9/2001	Fisscher	D781,067 S	3/2017	Cross et al.
D447,657 S	9/2001	Fisscher	D782,830 S	4/2017	Enderby
D447,897 S	9/2001	Fisscher	D782,842 S	4/2017	Morand et al.
D447,898 S	9/2001	Fisscher	9,648,995 B2	5/2017	Elliott et al.
D448,222 S	9/2001	Fisscher	D790,227 S	6/2017	Tambellini
6,296,331 B1	10/2001	Tramontina	D791,498 S *	7/2017	Brickl D6/520
6,328,255 B1	12/2001	Moody et al.	D793,117 S	8/2017	Hagleitner
6,364,245 B1	4/2002	Paal et al.	D794,341 S	8/2017	Enderby
D457,766 S *	5/2002	Omdoll D6/523	D796,223 S	9/2017	Madsen
6,382,553 B1	5/2002	Lewis et al.	D796,866 S	9/2017	Johnson
6,386,479 B1	5/2002	Lewis et al.	D796,867 S	9/2017	Johnson
6,508,432 B2	1/2003	Krivulin	D796,868 S	9/2017	Johnson
D472,398 S	4/2003	Sparkowski	D798,629 S	10/2017	Sinclair et al.
6,592,068 B2	7/2003	Taylor et al.	D799,235 S	10/2017	Madsen
D478,737 S	8/2003	Sparkowski	D799,236 S	10/2017	Madsen
6,679,409 B2	1/2004	Petterson	D799,692 S	10/2017	Buning-Weddewer
6,752,349 B2	6/2004	Moody et al.	2002/0033405 A1	3/2002	Gergek
6,766,976 B2	7/2004	Salaker et al.	2002/0096595 A1	7/2002	Denton
D504,041 S	4/2005	Dudley et al.	2002/0130215 A1	9/2002	Krivulin
7,014,140 B2	3/2006	Elliott et al.	2004/0004151 A1	1/2004	Kapiloff et al.
D522,781 S	6/2006	Wieser et al.	2004/0004153 A1	1/2004	Kapiloff et al.
D525,063 S	7/2006	Woods et al.	2004/0089762 A1	5/2004	Salaker et al.
7,083,138 B2	8/2006	Elliott et al.	2005/0167543 A1	8/2005	Elliott et al.
7,114,676 B2	10/2006	Elliott et al.	2006/0038054 A1	2/2006	Tramontina et al.
7,185,841 B2	3/2007	Kaufmann	2006/0279020 A1	12/2006	Elliott et al.
D547,581 S	7/2007	Cittadino et al.	2007/0205317 A1	9/2007	Miller
D551,474 S	9/2007	Cittadino et al.	2007/0290092 A1	12/2007	Won
D551,475 S	9/2007	Cittadino et al.	2008/0156926 A1	7/2008	Cattacin et al.
7,374,128 B2	5/2008	Hendrix et al.	2008/0245922 A1	10/2008	Fellhoelter
D572,058 S	7/2008	Cittadino et al.	2009/0065627 A1	3/2009	Goeking et al.
7,422,174 B2	9/2008	Elliott et al.	2009/0072072 A1	3/2009	Elliott et al.
7,461,810 B2	12/2008	Goeking et al.	2009/0212150 A1 *	8/2009	Wruck, Jr. A47K 10/36 242/564.2
7,588,209 B2	9/2009	Demers	2009/0266928 A1	10/2009	Friesen et al.
7,648,097 B2	1/2010	Cattacin et al.	2009/0266929 A1	10/2009	Friesen et al.
D619,838 S	7/2010	Kim	2009/0266930 A1	10/2009	Friesen et al.
D620,290 S	7/2010	Herrera	2010/0206979 A1	8/2010	Collins
			2010/0243660 A1	9/2010	Manasas
			2011/0215187 A1	9/2011	Owurowa
			2012/0256036 A1	10/2012	Osborne

(56)

References Cited

U.S. PATENT DOCUMENTS

2013/0075416 A1 3/2013 Boyce
 2013/0270978 A1 10/2013 Black
 2014/0076916 A1 3/2014 Boyce
 2014/0103133 A1 4/2014 Muderlak et al.
 2015/0076277 A1 3/2015 Elliott et al.
 2015/0157177 A1 6/2015 Carper et al.
 2016/0227969 A1 8/2016 Morris
 2016/0256018 A1 9/2016 Viessman et al.
 2017/0112336 A1 4/2017 Ruthven et al.
 2017/0188760 A1 7/2017 Henson et al.
 2017/0215659 A1 8/2017 Jefferson
 2017/0251890 A1 9/2017 Groover
 2017/0290471 A1 10/2017 Borke et al.
 2017/0290472 A1 10/2017 Borke et al.
 2017/0290473 A1 10/2017 Borke et al.

FOREIGN PATENT DOCUMENTS

CA 2192057 A1 6/1998
 CA 2239526 A1 6/1999
 CA 2171066 C 8/1999
 CA 2300036 A1 9/2000
 CA 2190806 C 10/2000
 CA 2383206 A1 3/2001
 CA 2326872 A1 6/2001
 CA 2340853 A1 9/2001
 CA 2305110 A1 10/2001
 CA 2199092 C 11/2001
 CA 2359128 A1 4/2003
 CA 2381648 A1 4/2003
 CA 2414887 A1 6/2003

CA 2465343 A1 6/2003
 CA 2430462 A1 1/2004
 CA 2217841 C 6/2005
 CA 2494802 A1 7/2005
 CA 2495163 A1 7/2005
 CA 2526662 A1 5/2006
 CA 2622388 A1 3/2007
 CA 2577225 A1 9/2007
 CA 2615407 A1 6/2008
 CA 2756903 A1 12/2011
 CA 2929466 A1 5/2015
 CA 2978227 A1 10/2016
 WO WO-1993004965 A1 3/1993
 WO WO-1997013440 A1 4/1997
 WO WO-1998011811 A1 3/1998
 WO WO-2002024044 A2 3/2002
 WO WO-2002053004 A1 7/2002
 WO WO-2002074148 A1 9/2002
 WO WO-2003047410 A1 6/2003
 WO WO-2006050748 A1 5/2006
 WO WO-2007035139 A1 3/2007
 WO WO-2008042963 A2 4/2008
 WO WO-2009135235 A2 11/2009
 WO WO-2011154625 A1 12/2011
 WO WO-2014058362 A1 4/2014
 WO WO-2014098672 A1 6/2014
 WO WO-2014200624 A1 12/2014
 WO WO-2015066644 A2 5/2015
 WO WO-2016166157 A1 10/2016
 WO WO-2017084689 A1 5/2017
 WO WO-2017105464 A1 6/2017
 WO WO-2017178605 A1 10/2017
 WO WO-2017180476 A1 10/2017

* cited by examiner

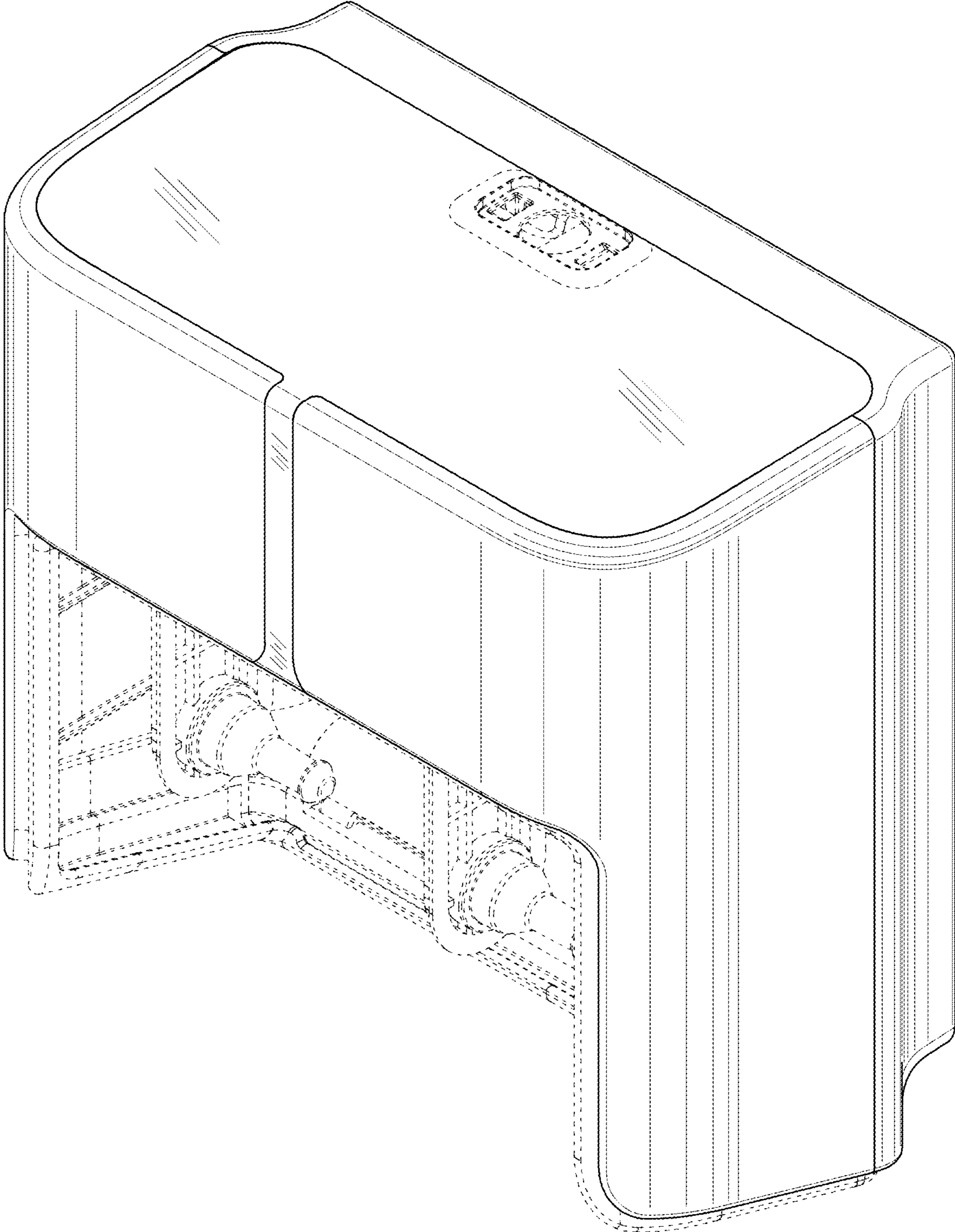


FIG. 1

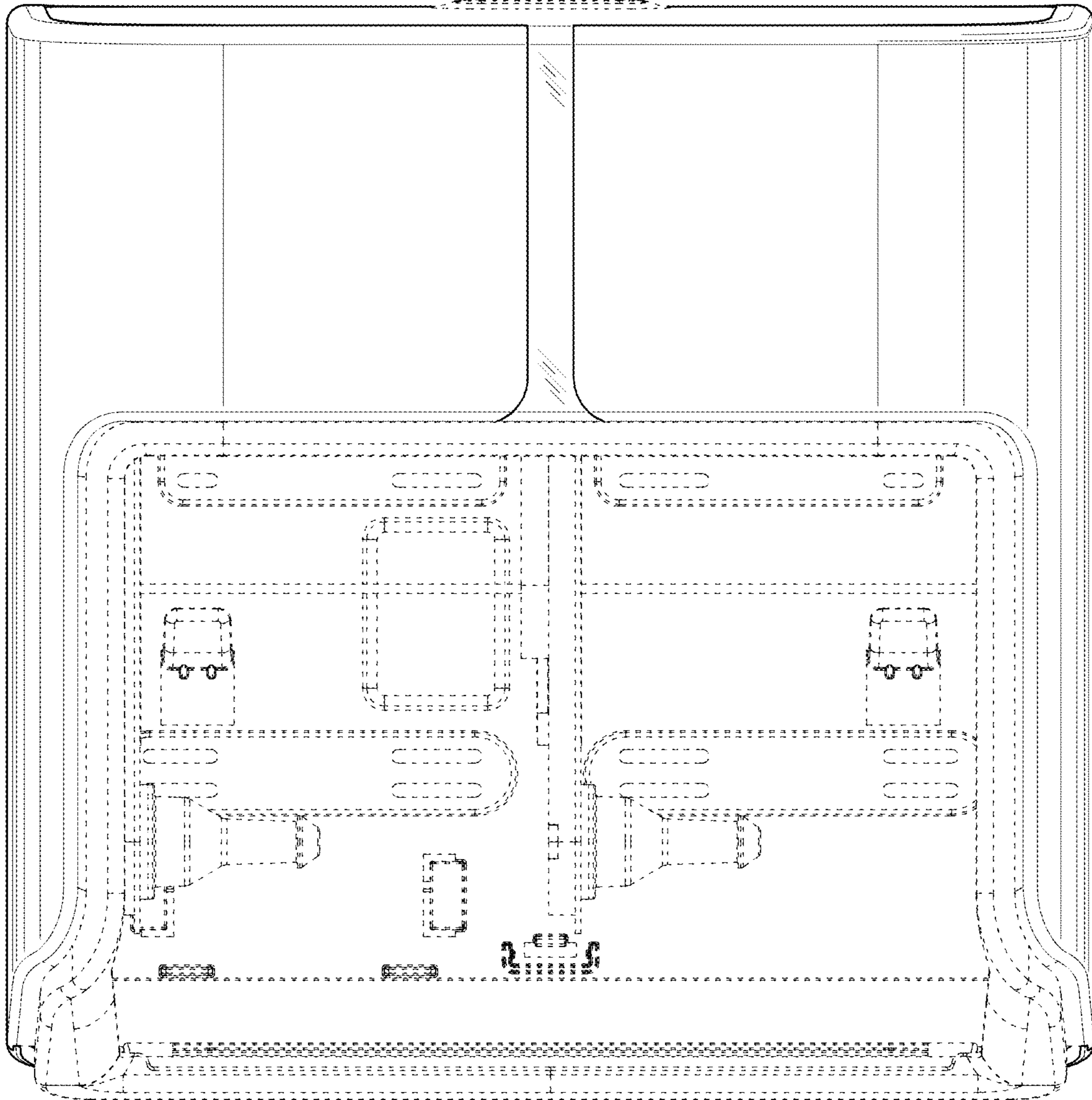


FIG. 2

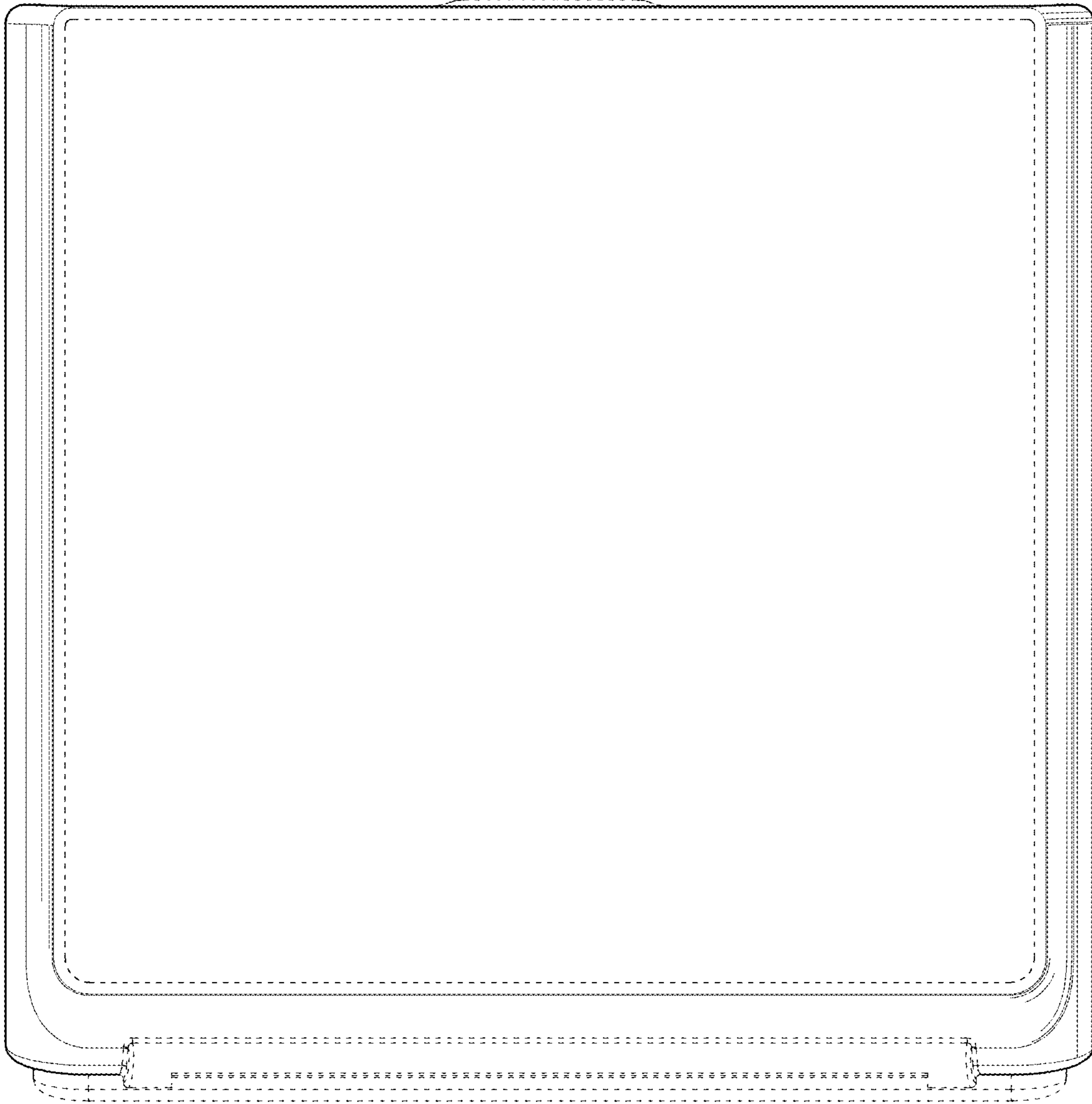


FIG. 3

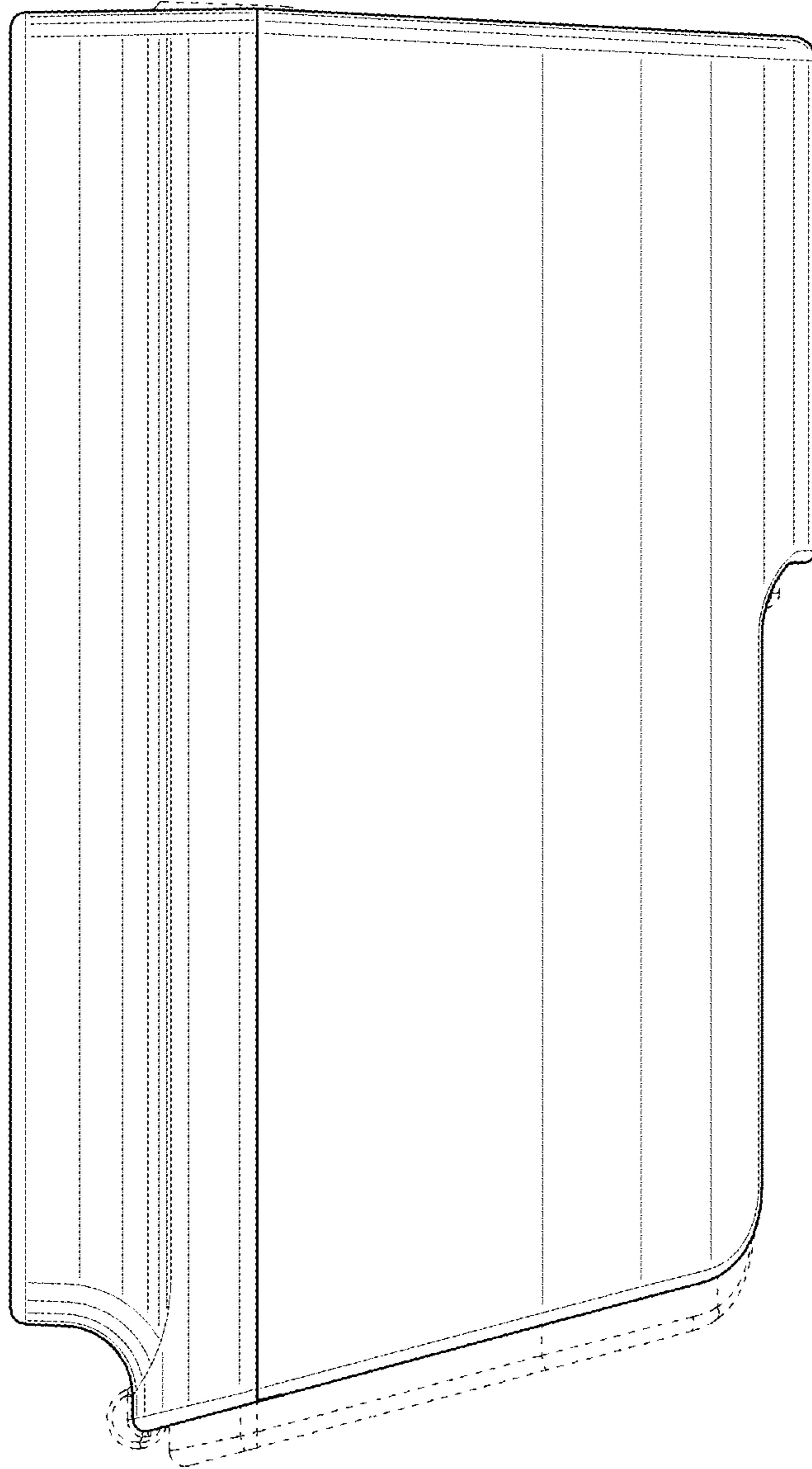


FIG. 4

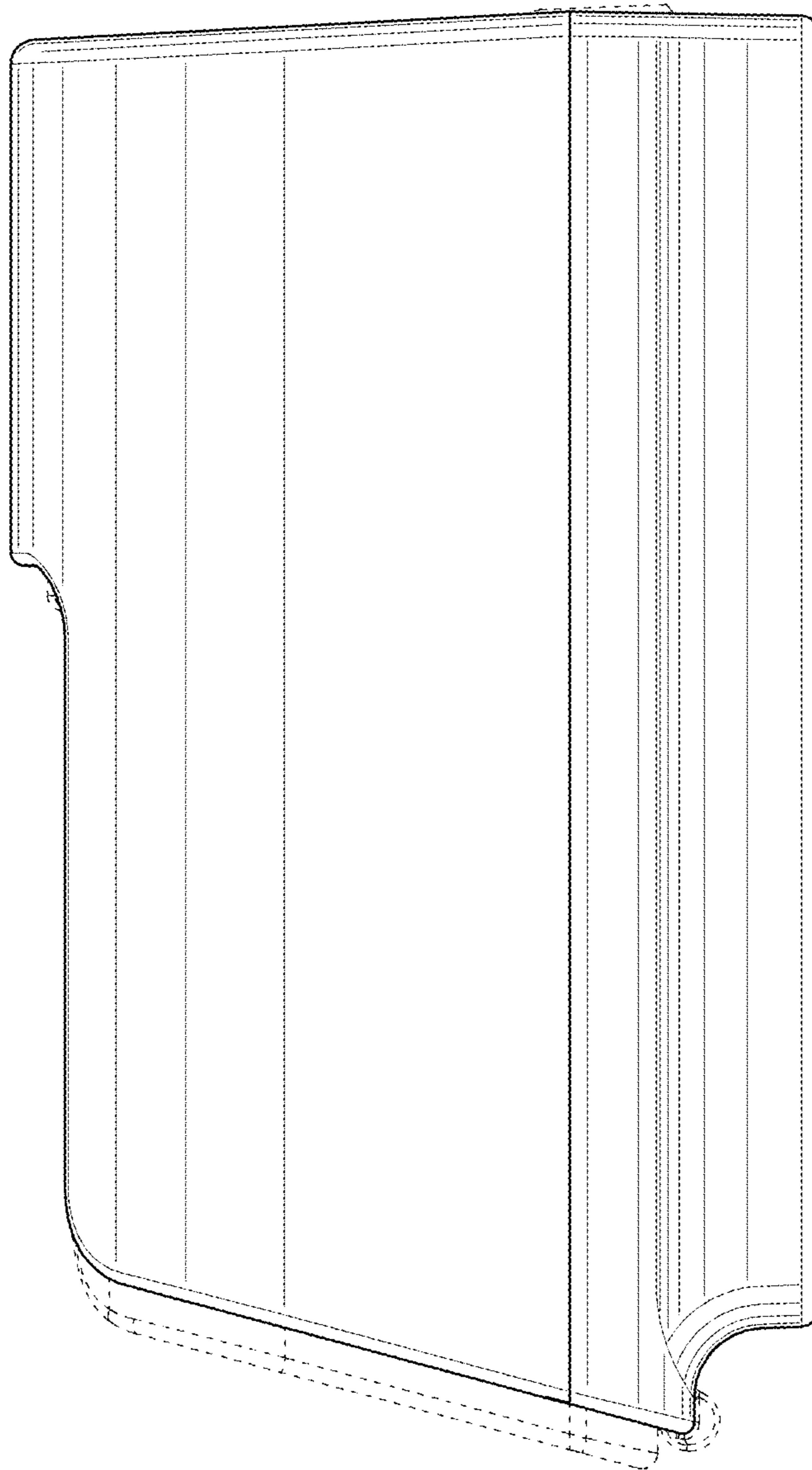


FIG. 5

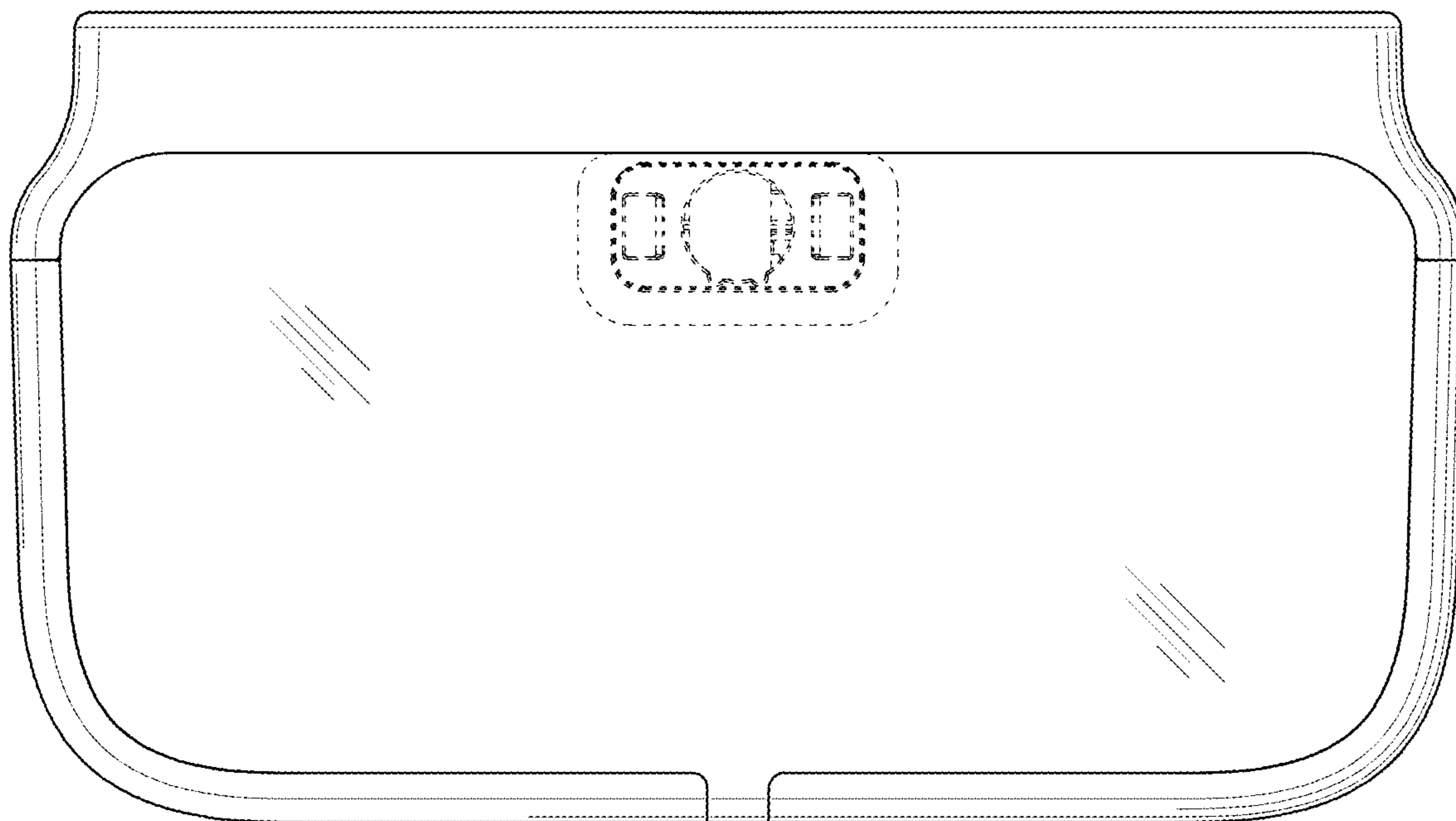


FIG. 6

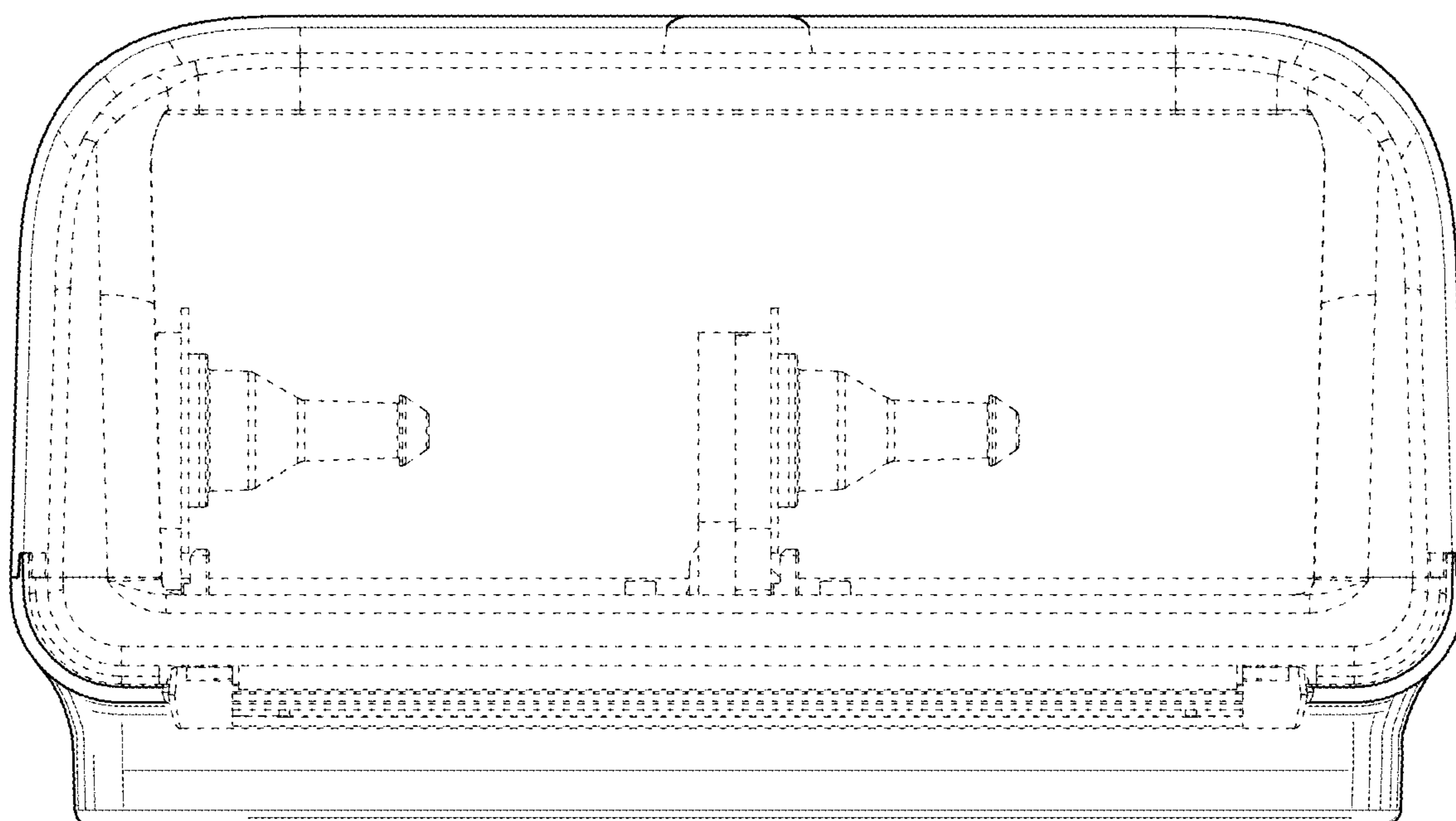


FIG. 7