



US00D886486S

(12) **United States Design Patent**  
**Ripoll**

(10) **Patent No.:** **US D886,486 S**  
(45) **Date of Patent:** **\*\* Jun. 9, 2020**

(54) **PLANT SUPPORT**

- (71) Applicant: **PT. CAPRICORN DESIGN**, Cirebon (ID)
- (72) Inventor: **Claudio Ripoll**, Cirebon (ID)
- (73) Assignee: **PT. CAPRICORN DESIGN**, Cirebon (ID)

(\*\*) Term: **15 Years**

(21) Appl. No.: **29/661,006**

(22) Filed: **Aug. 23, 2018**

(30) **Foreign Application Priority Data**

Feb. 23, 2018 (AU) ..... 201811106

(51) **LOC (12) Cl.** ..... **11-02**

(52) **U.S. Cl.**  
USPC ..... **D6/403**

(58) **Field of Classification Search**

USPC ..... D11/143-156, 164; D3/304, 307, 315;  
D6/691.6, 692.4, 403-405, 556-558;  
D7/509, 554.3; D34/5

CPC . A47G 7/02; A47G 7/04; A47G 7/041; A47G  
7/042; A47G 7/044; A47G 7/045; A47G  
7/047; A47G 7/06; A47G 7/063; A47G  
7/08; A47G 2007/048; A01G 2009/003;  
A01G 9/02; A01G 9/021; A01G 9/022;  
A01G 9/026; A01G 9/028; A01G 9/029;  
A01G 9/0293; A01G 9/0299; A01G  
9/033; A01G 9/04; A01G 9/045; A01G  
9/047

See application file for complete search history.

(56) **References Cited**

**U.S. PATENT DOCUMENTS**

- 231,976 A \* 9/1880 Williams ..... A47G 7/044  
248/315
- 1,130,300 A \* 3/1915 Krager ..... A01G 23/10  
248/218.1
- 2,399,498 A \* 4/1946 Messick ..... A47G 7/025  
248/154
- 2,536,901 A \* 1/1951 Bearden ..... A47G 7/044  
248/208

(Continued)

*Primary Examiner* — Elizabeth A. Albert

(74) *Attorney, Agent, or Firm* — Barnes & Thornburg  
LLP; G. Peter Nichols

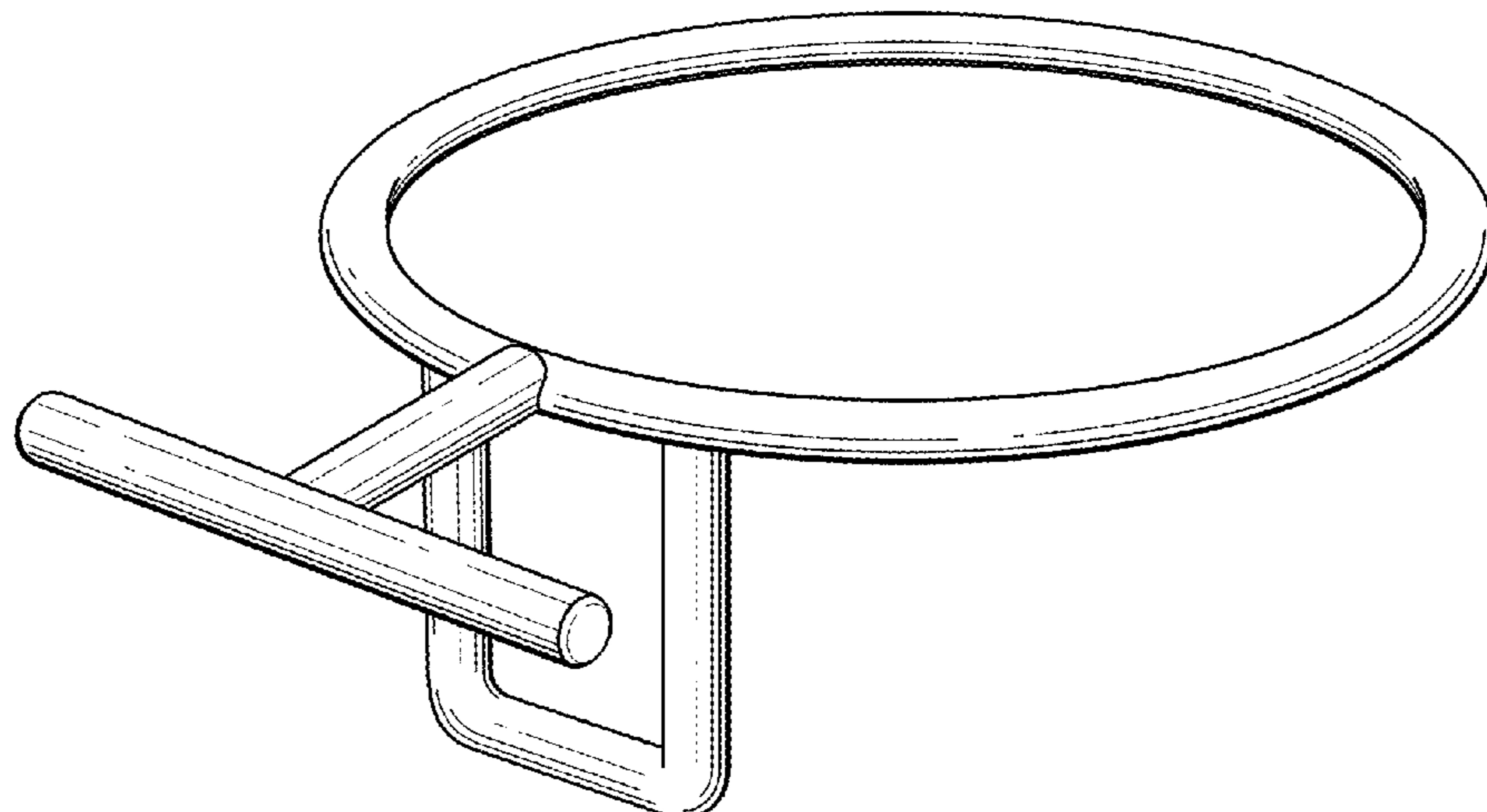
(57) **CLAIM**

The ornamental design for a plant support, as shown and described.

**DESCRIPTION**

FIG. 1 is an isometric view of a plant support according to one embodiment of the present invention;  
 FIG. 2 is a top view of the plant support according to FIG. 1;  
 FIG. 3 is a front view of the plant support according to FIG. 1;  
 FIG. 4 is a right side view of the plant support according to FIG. 1; the left side being a mirror image;  
 FIG. 5 is a rear view of the plant support according to FIG. 1;  
 FIG. 6 is a bottom view of the plant support according to FIG. 1;  
 FIG. 7 is an isometric view of a plant support according to another embodiment of the present invention;  
 FIG. 8 is a top view of the plant support according to FIG. 7;  
 FIG. 9 is a front view of the plant support according to FIG. 7;  
 FIG. 10 is a right side view of the plant support according to FIG. 7; the left side being a mirror image;  
 FIG. 11 is a rear view of the plant support according to FIG. 7; and,  
 FIG. 12 is a bottom view of the plant support according to FIG. 7.

**1 Claim, 8 Drawing Sheets**



(56)

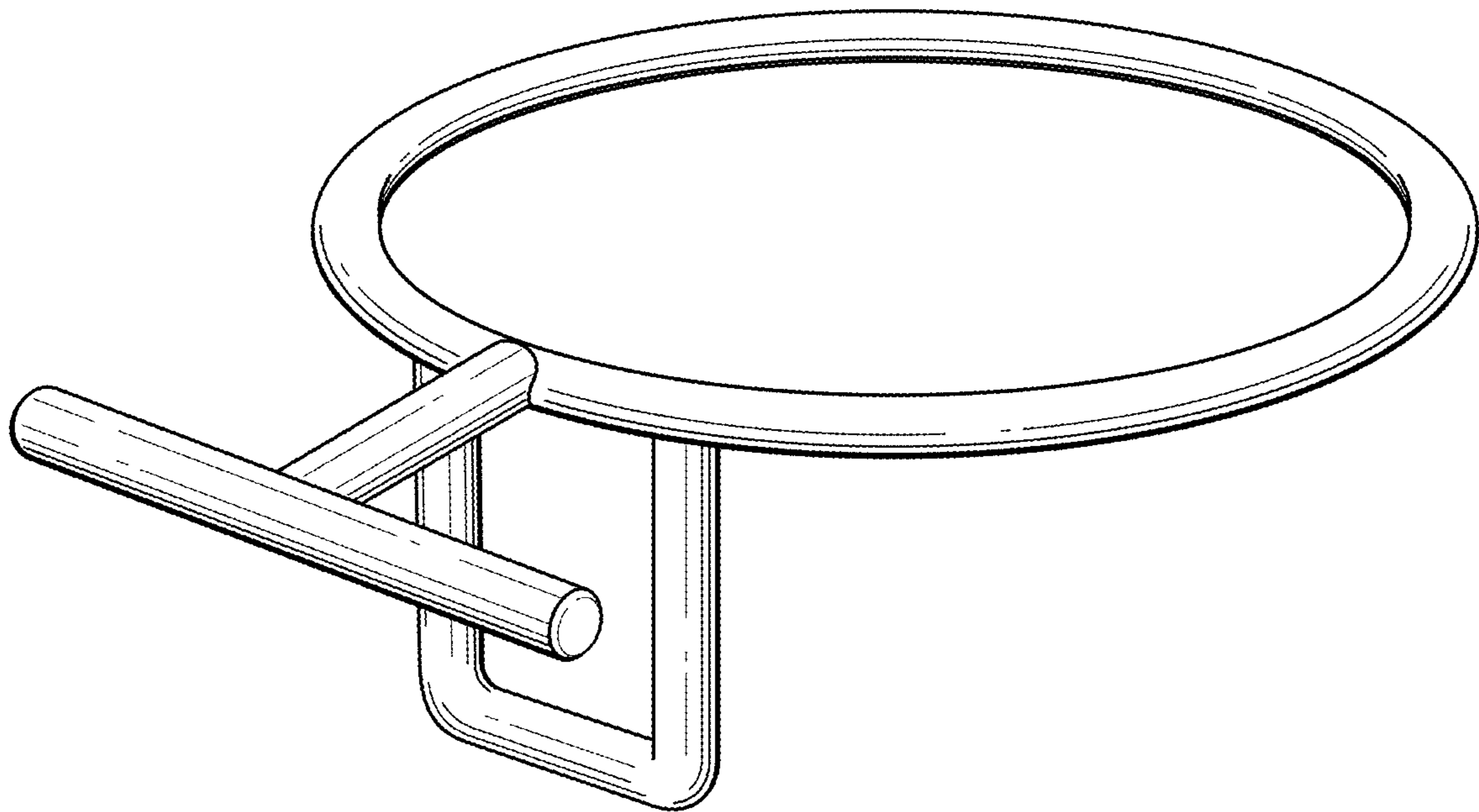
**References Cited**

U.S. PATENT DOCUMENTS

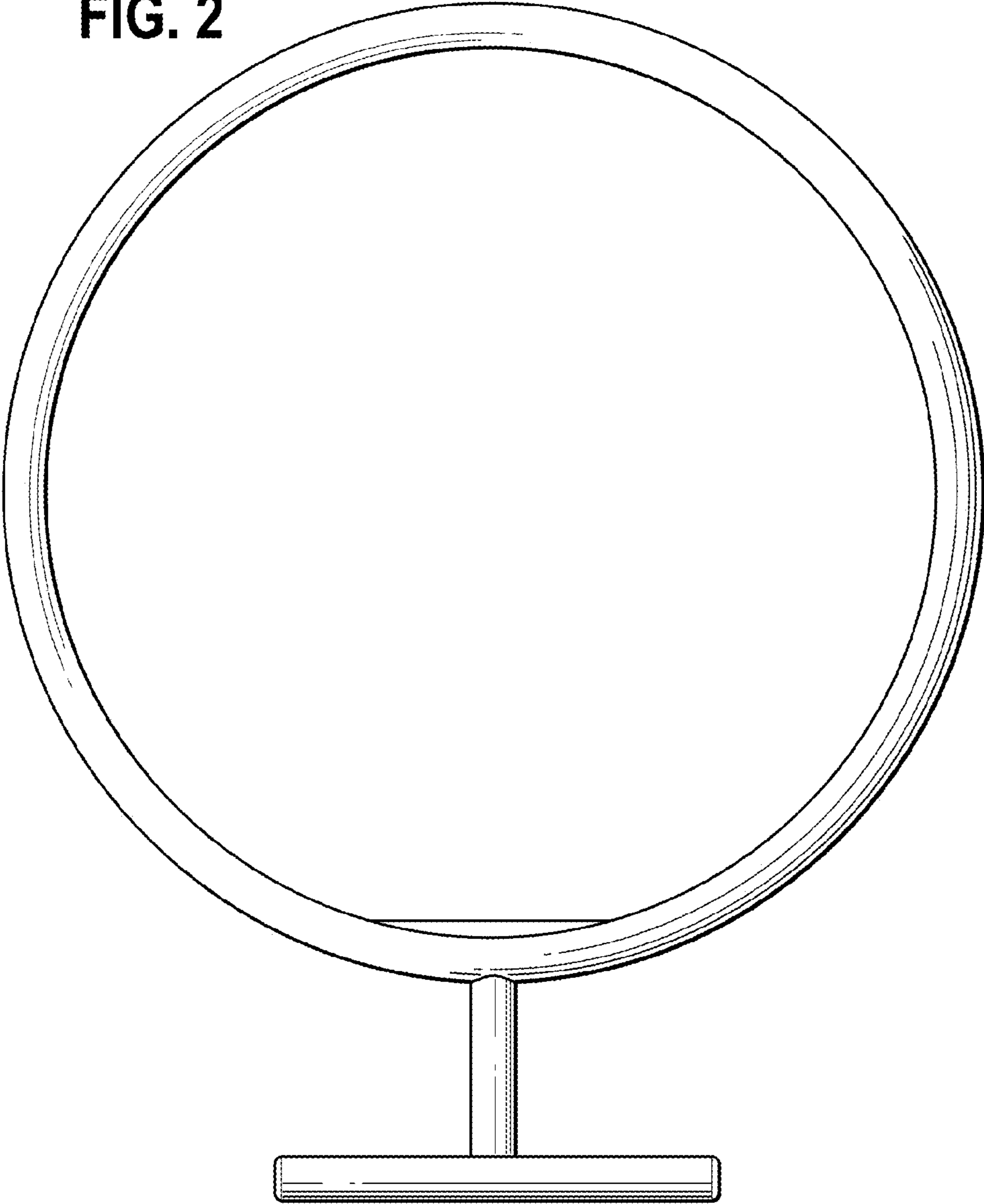
D231,296	S *	4/1974	Morris et al. ....	D6/556
3,878,590	A *	4/1975	Bolger .....	A01G 17/08 47/44
D251,579	S *	4/1979	Calgaro .....	D6/566
D274,202	S *	6/1984	Karapita .....	D6/405
4,603,507	A *	8/1986	Nelson .....	A47G 7/044 211/113
4,882,875	A *	11/1989	Green .....	A01G 27/005 47/79
D359,629	S *	6/1995	Korkowski .....	D11/164
D435,177	S *	12/2000	Buell .....	D6/403
D479,921	S *	9/2003	Nguyen .....	D6/405
D481,103	S *	10/2003	West .....	D23/214
D509,713	S *	9/2005	Gall .....	D11/146
D681,380	S *	5/2013	Lien .....	D6/552
8,561,345	B2 *	10/2013	Armas .....	A47G 7/044 47/39
9,107,518	B2 *	8/2015	Schilling .....	F16M 11/28
D753,941	S *	4/2016	Boen .....	D6/681.1
9,320,206	B2 *	4/2016	Ganske .....	A47G 7/041
9,398,824	B2 *	7/2016	Krumwiede .....	A47G 23/0241
9,958,112	B1 *	5/2018	Johnson .....	A47G 7/044
D845,653	S *	4/2019	Wu .....	D6/320
D845,661	S *	4/2019	McGehee .....	D6/405
D860,671	S *	9/2019	Lawson .....	D6/403
2005/0167551	A1 *	8/2005	Leroux .....	B65F 1/141 248/153

\* cited by examiner

FIG. 1



**FIG. 2**



**FIG. 3**

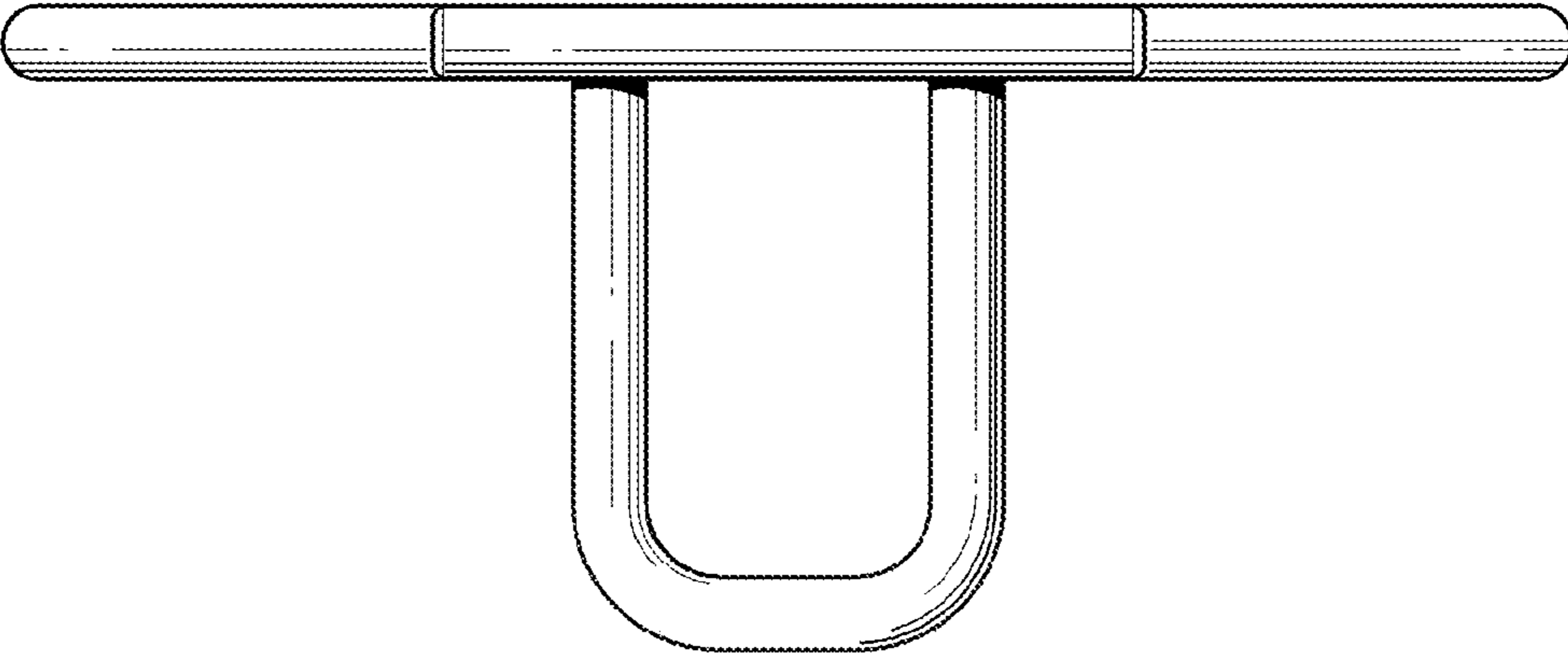
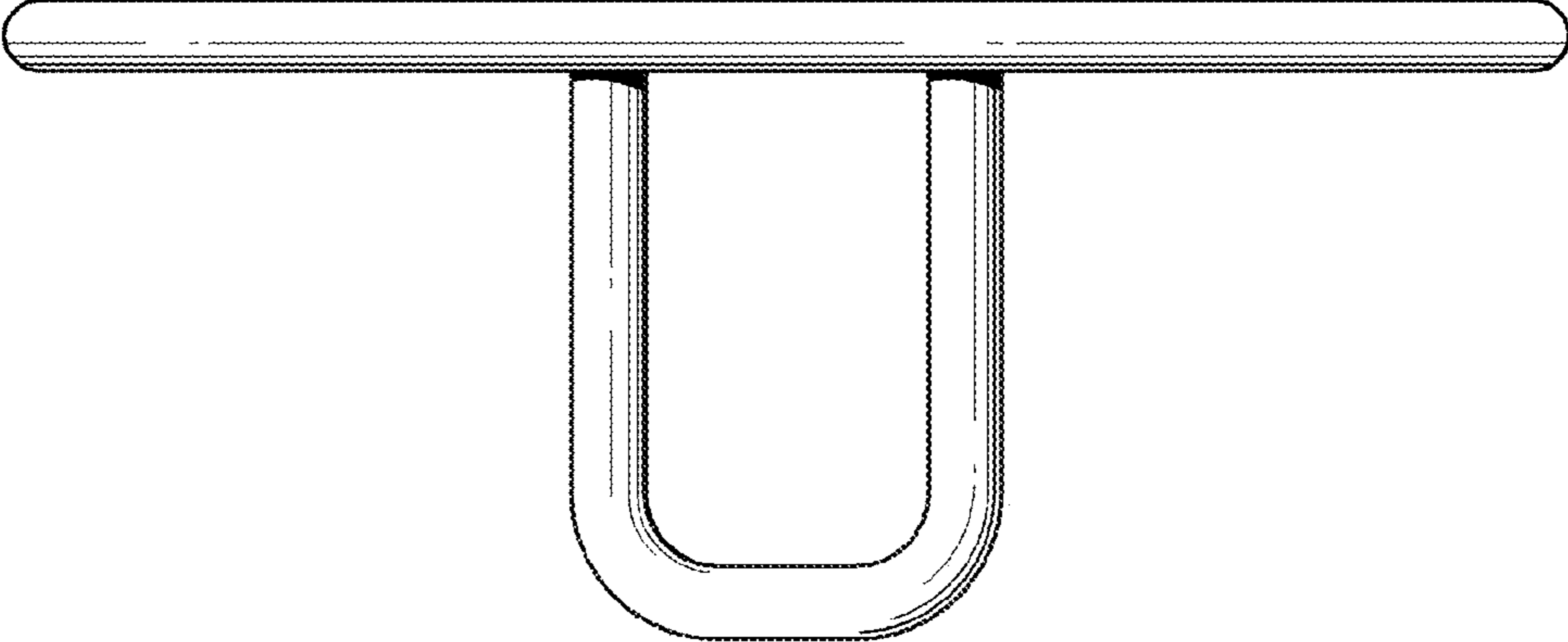


FIG. 4



**FIG. 5**



**FIG. 6**

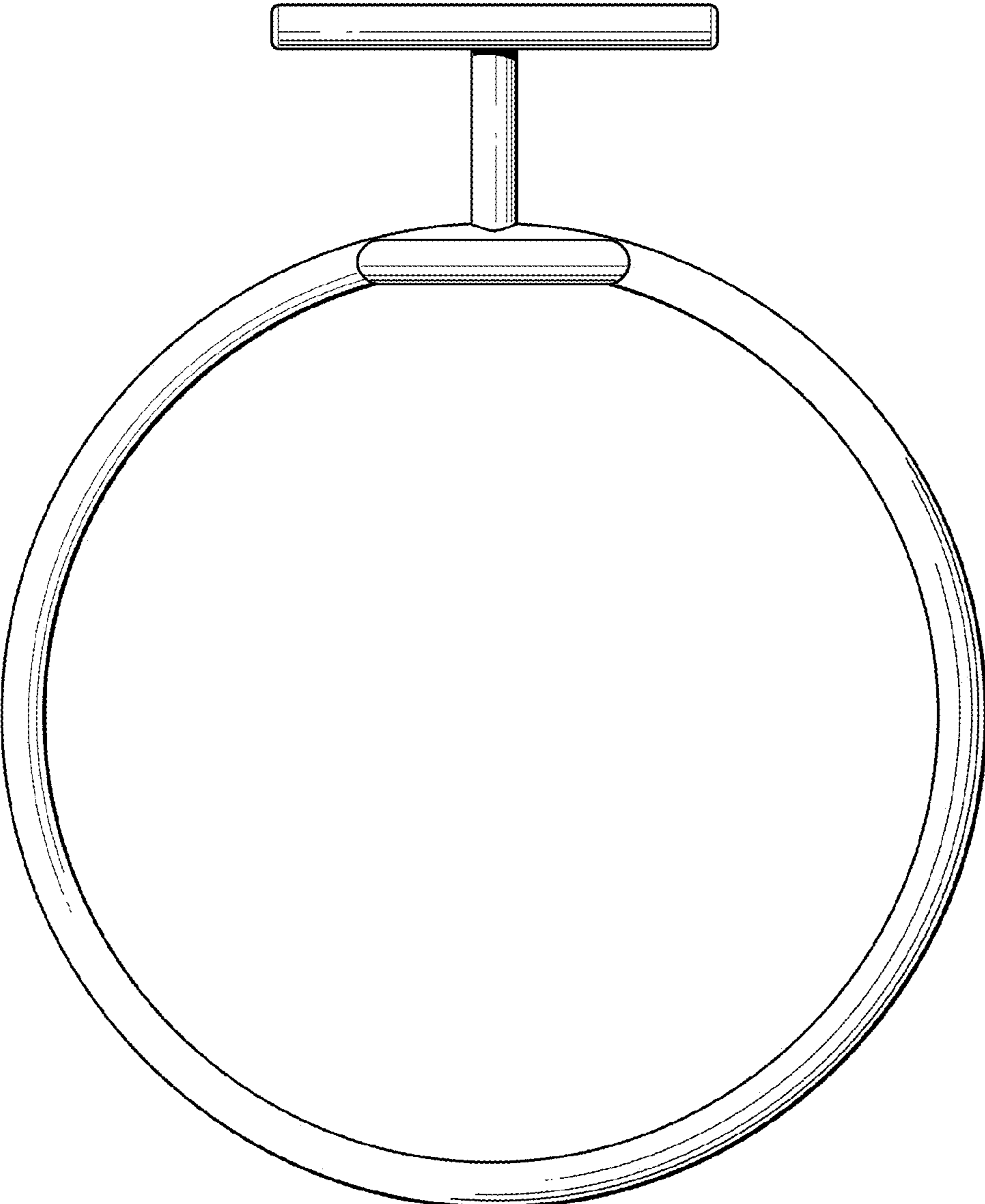
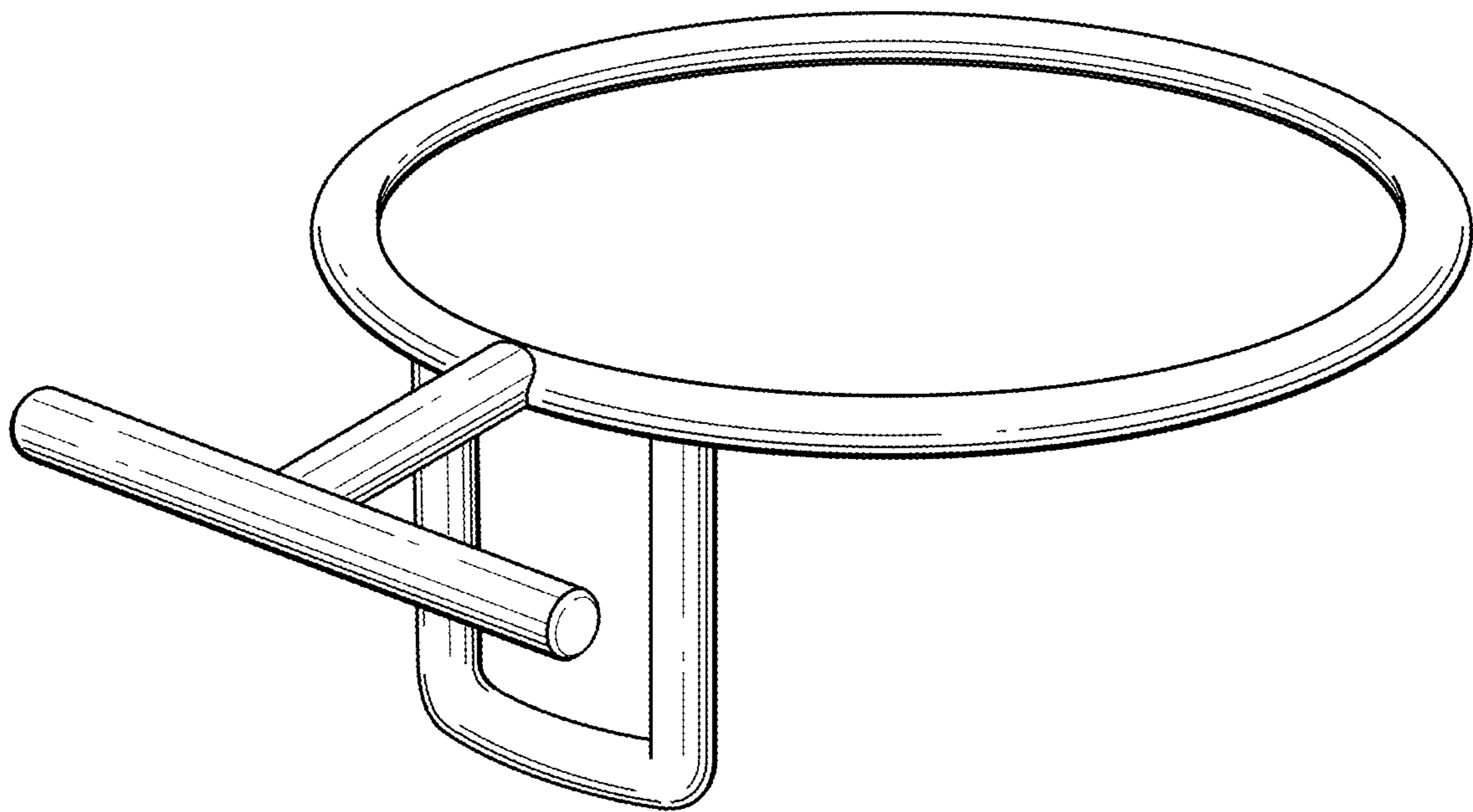
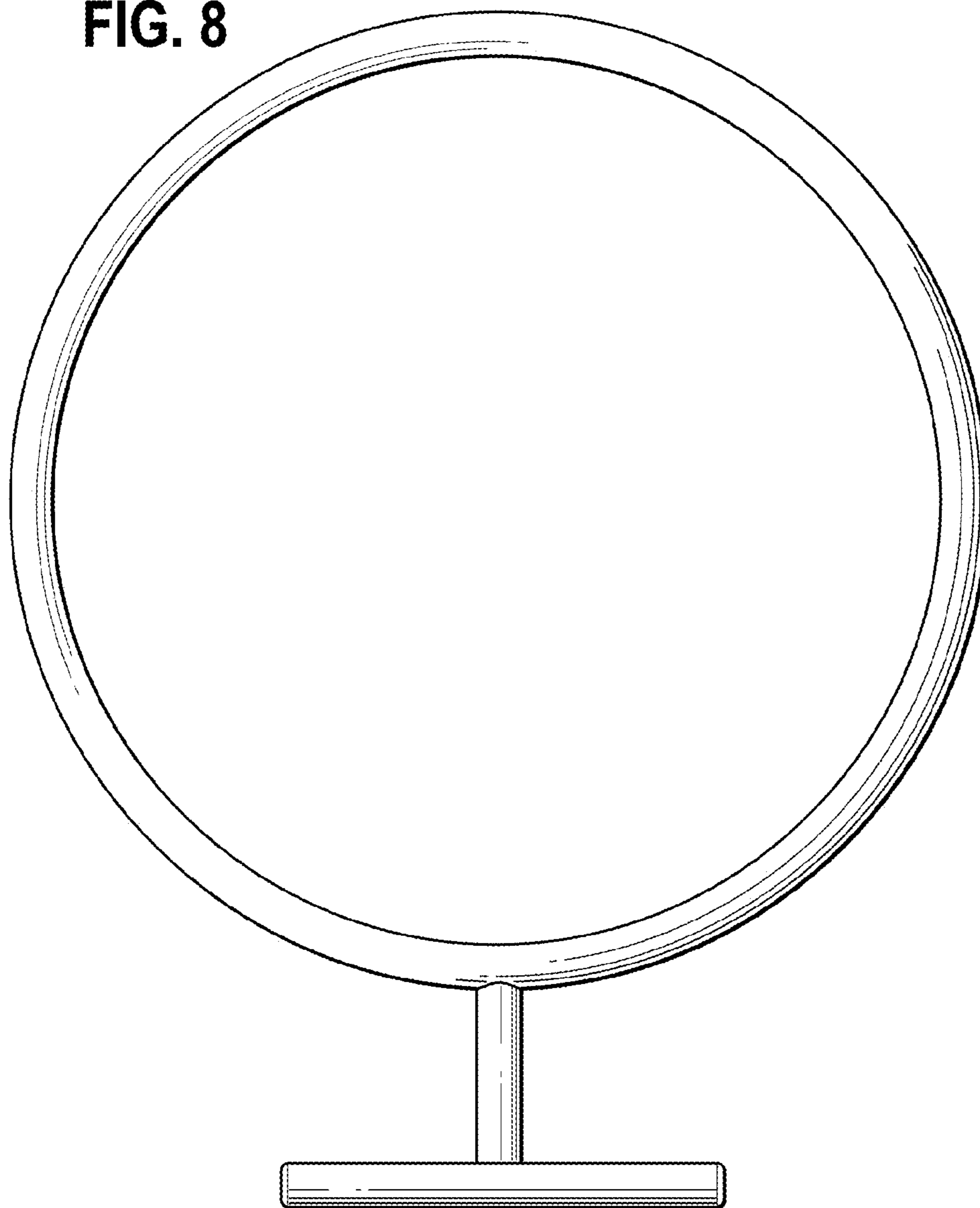




FIG. 7



**FIG. 8**



**FIG. 9**

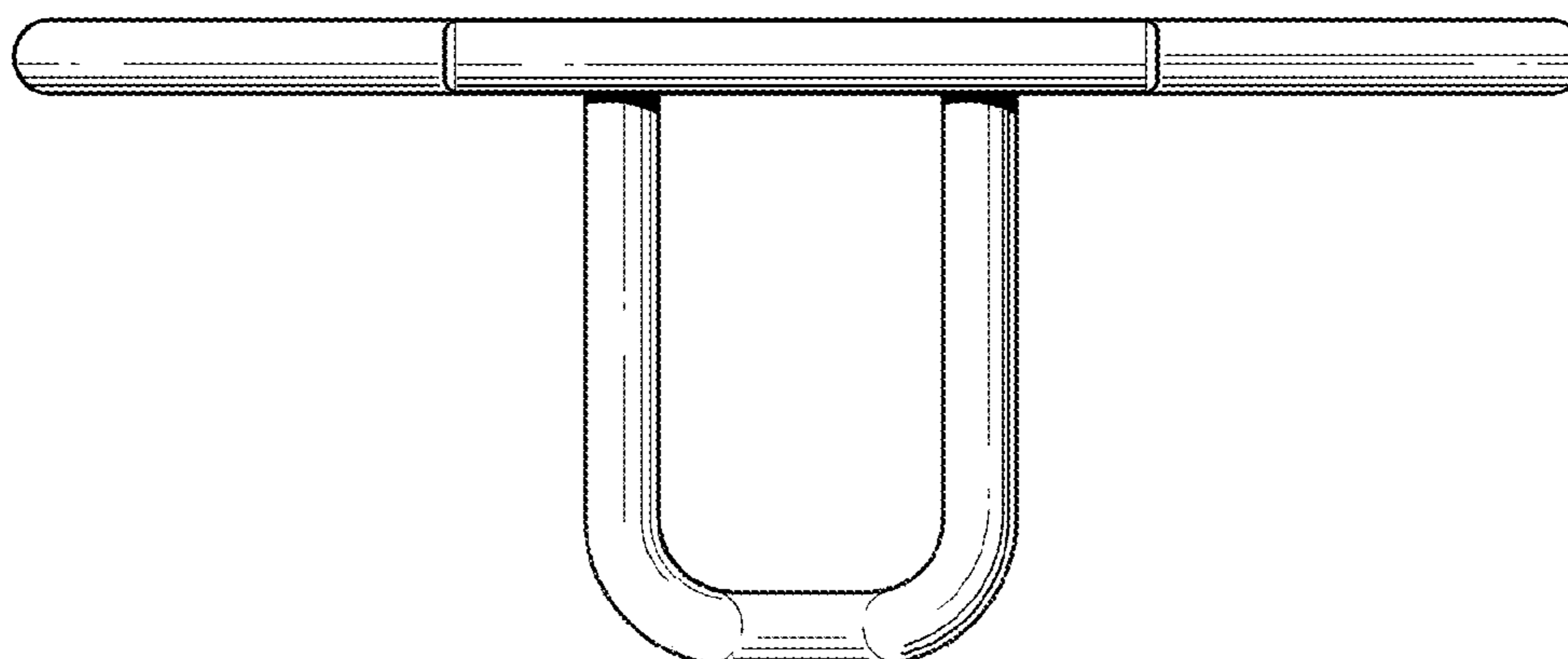
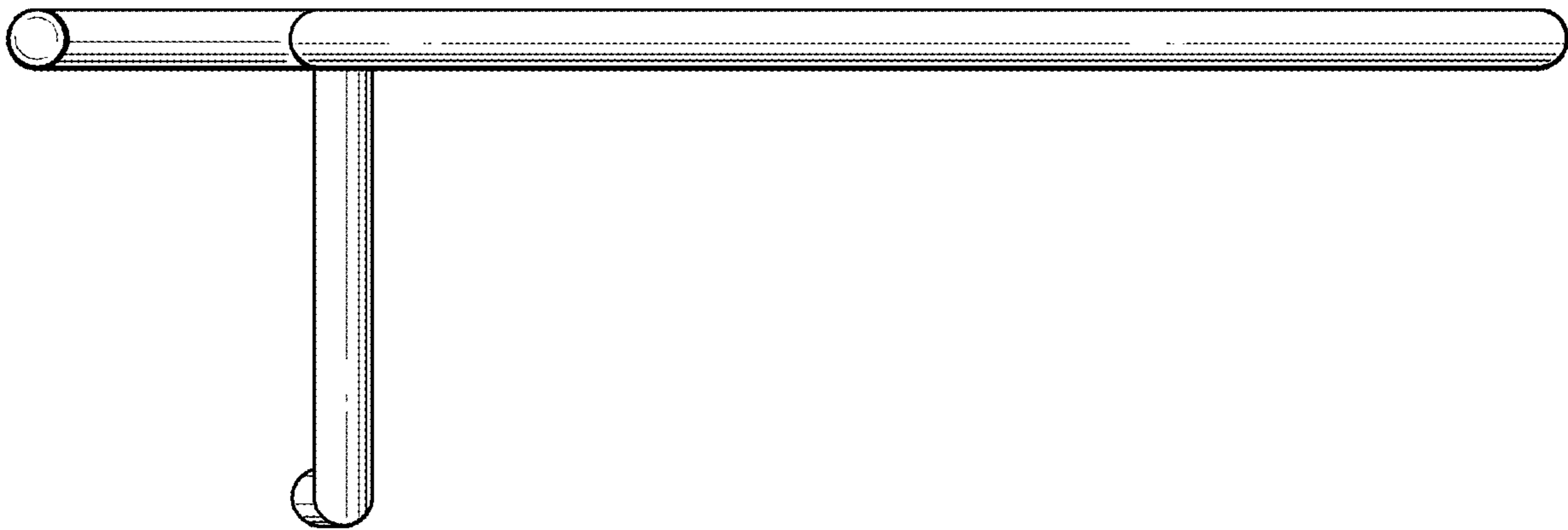
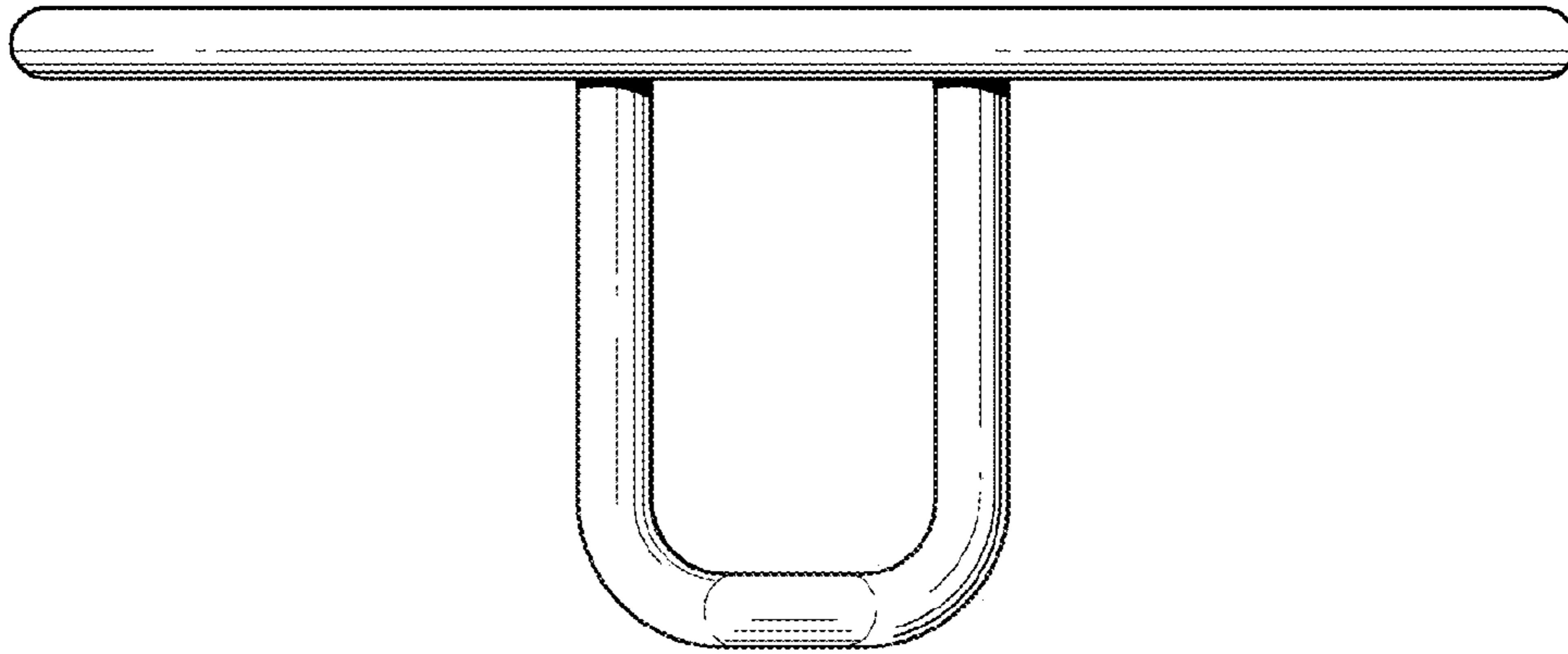




FIG. 10



**FIG. 11**



**FIG. 12**

