



US00D886485S

(12) **United States Design Patent**  
**Li**

(10) **Patent No.:** **US D886,485 S**

(45) **Date of Patent:** **\*\* Jun. 9, 2020**

(54) **CHAIR**

(71) Applicant: **39F USA INC**, Rancho Cucamonga, CA (US)

(72) Inventor: **Yuehai Li**, Rancho Cucamonga, CA (US)

(\*\*) Term: **15 Years**

(21) Appl. No.: **29/687,547**

(22) Filed: **Apr. 12, 2019**

(51) **LOC (12) Cl.** ..... **06-01**

(52) **U.S. Cl.**  
USPC ..... **D6/375**

(58) **Field of Classification Search**  
USPC ..... D6/334, 349, 369, 374–376, 379–382, D6/711, 708.16, 716.1  
CPC .... A47C 3/04; A47C 3/12; A47C 5/04; A47C 5/12; A47C 5/14; A47C 7/02; A47C 7/16; A47C 7/18; A47C 7/24; A47C 11/00; A47C 15/002; A47C 17/02  
See application file for complete search history.

(56) **References Cited**

**U.S. PATENT DOCUMENTS**

D656,755 S \* 4/2012 Wanders ..... D6/375  
D746,609 S \* 1/2016 Lievore ..... D6/375

D751,838 S \* 3/2016 Ciani ..... D6/381  
D794,349 S \* 8/2017 Levy ..... D6/374  
D798,068 S \* 9/2017 Iqbal ..... D6/334  
D798,617 S \* 10/2017 Iqbal ..... D6/334  
D807,066 S \* 1/2018 Vance ..... D6/334  
D811,757 S \* 3/2018 Moscheri ..... D6/334  
D815,449 S \* 4/2018 Hannoosh ..... D6/374  
D821,773 S \* 7/2018 Hale ..... D6/375  
D836,360 S \* 12/2018 Novak ..... D6/375  
D869,188 S \* 12/2019 Parker ..... D6/375  
D876,116 S \* 2/2020 Ji ..... D6/374

\* cited by examiner

*Primary Examiner* — R. Johnson

(74) *Attorney, Agent, or Firm* — Feng Qian

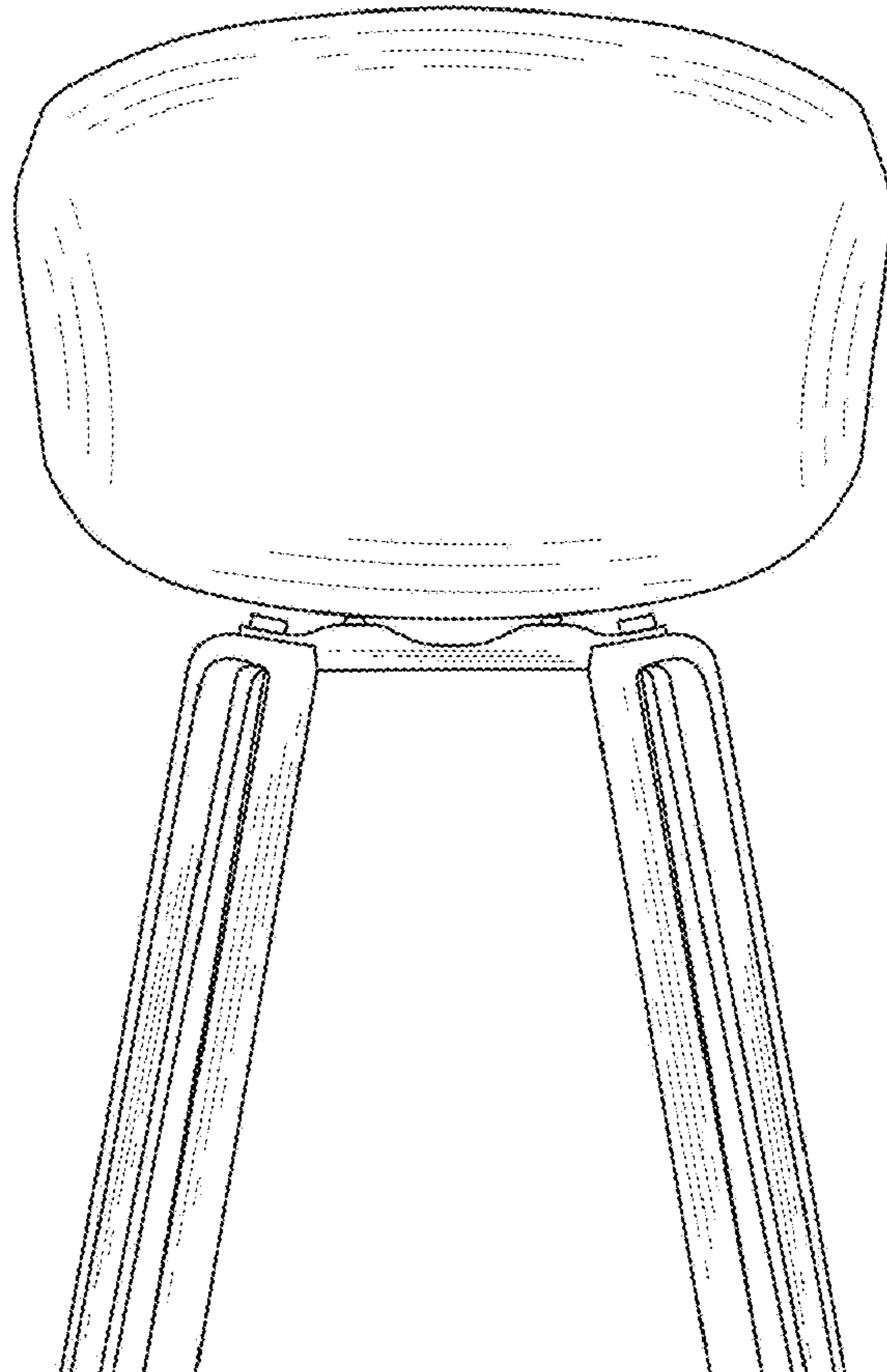
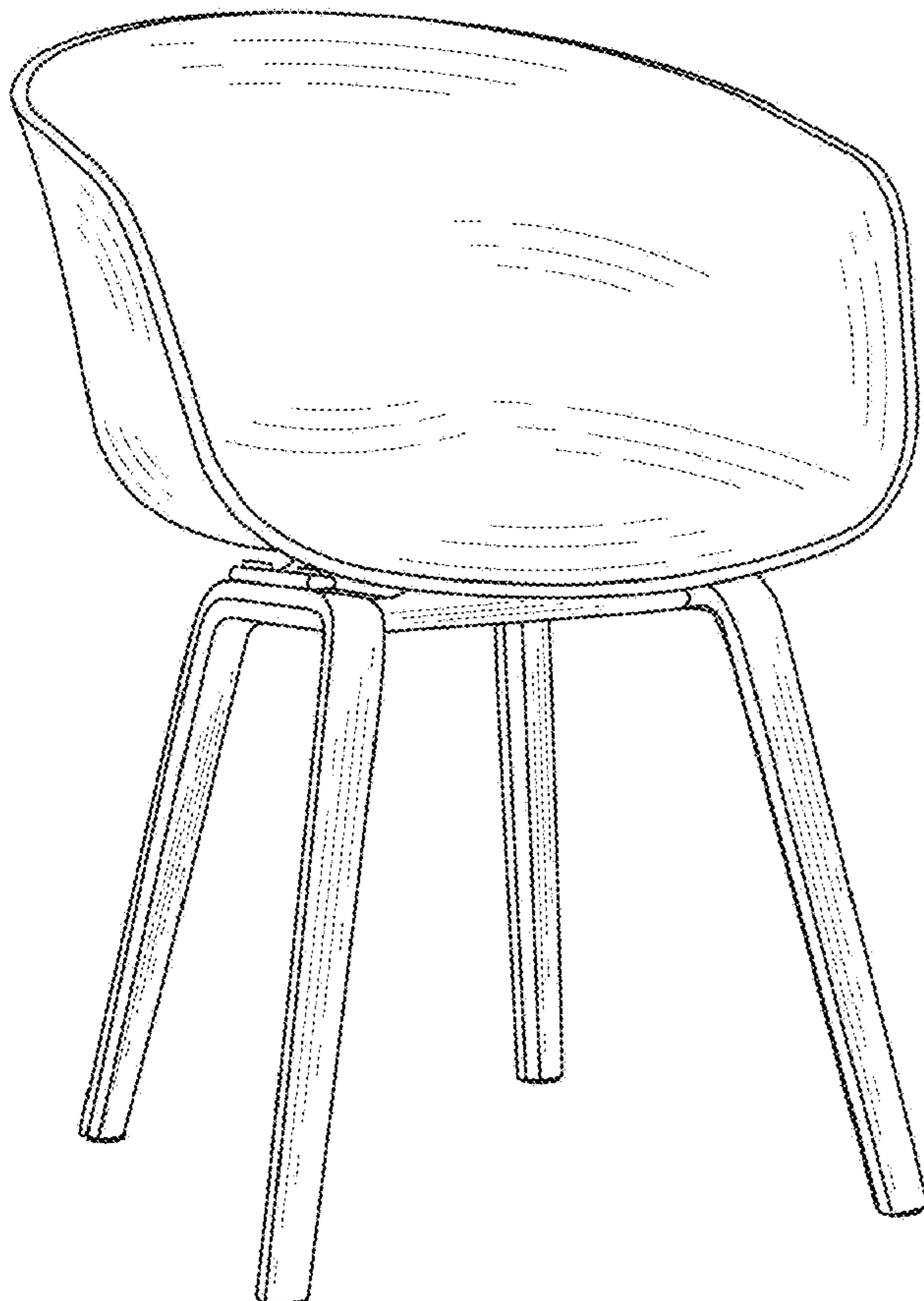
(57) **CLAIM**

The ornamental design for a chair, as shown and described.

**DESCRIPTION**

FIG. 1 is a front perspective view of a chair showing my new design;  
FIG. 2 is a front elevation view thereof;  
FIG. 3 is a rear elevation view thereof;  
FIG. 4 is a left-side elevation view thereof;  
FIG. 5 is a right-side elevation view thereof;  
FIG. 6 is a top plan view thereof; and,  
FIG. 7 is a bottom plan view thereof.

**1 Claim, 7 Drawing Sheets**



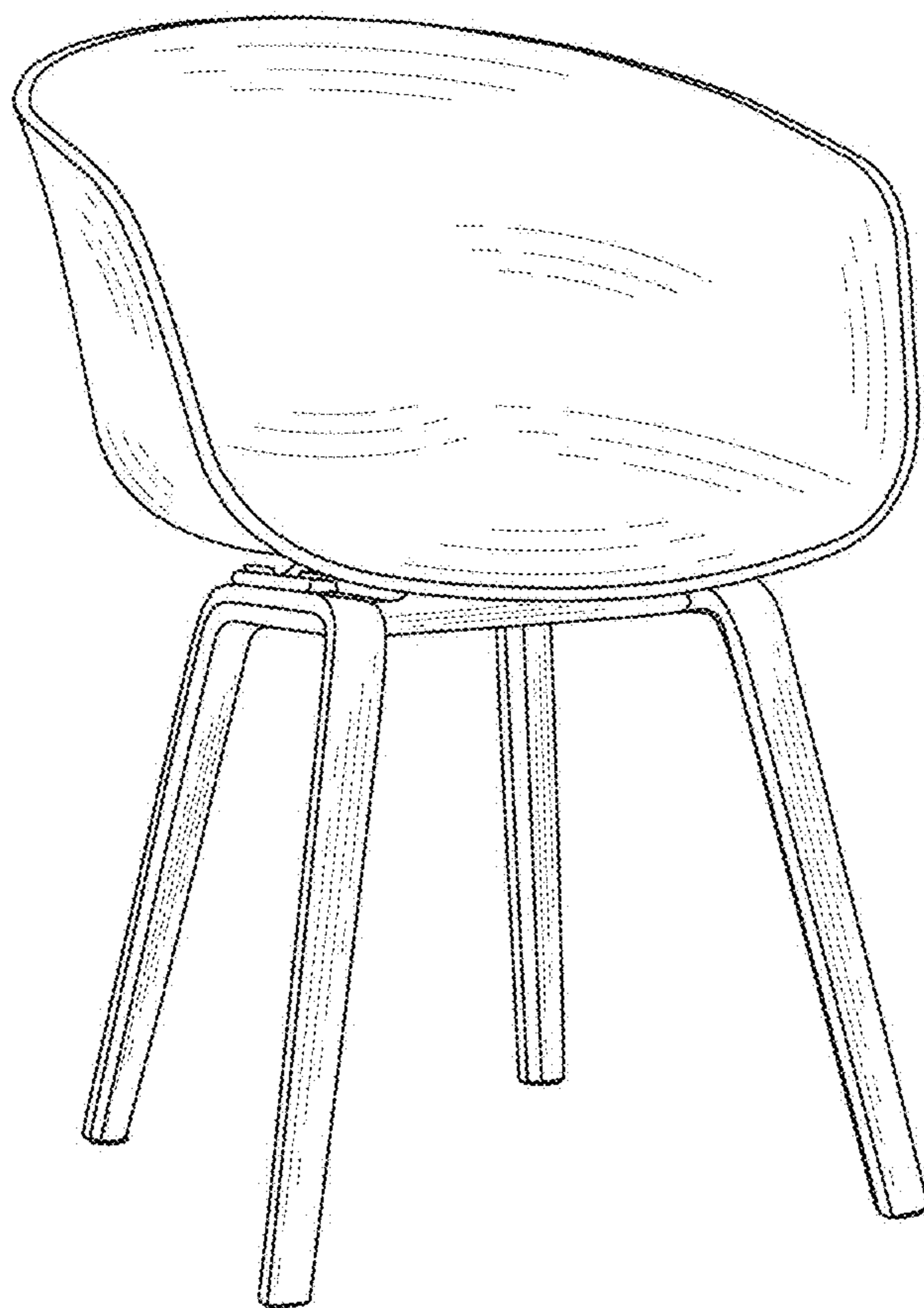


Fig.1

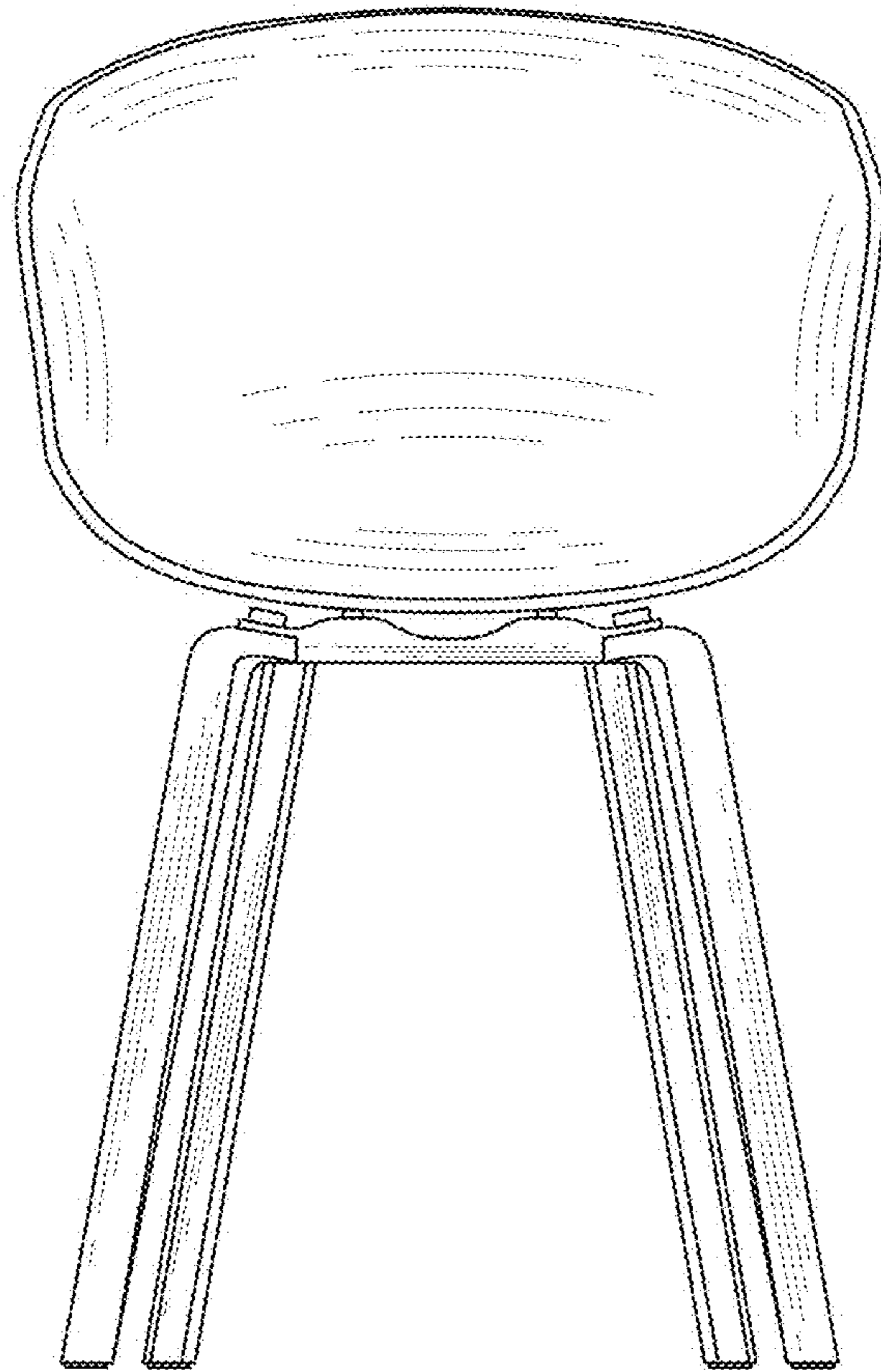


Fig.2

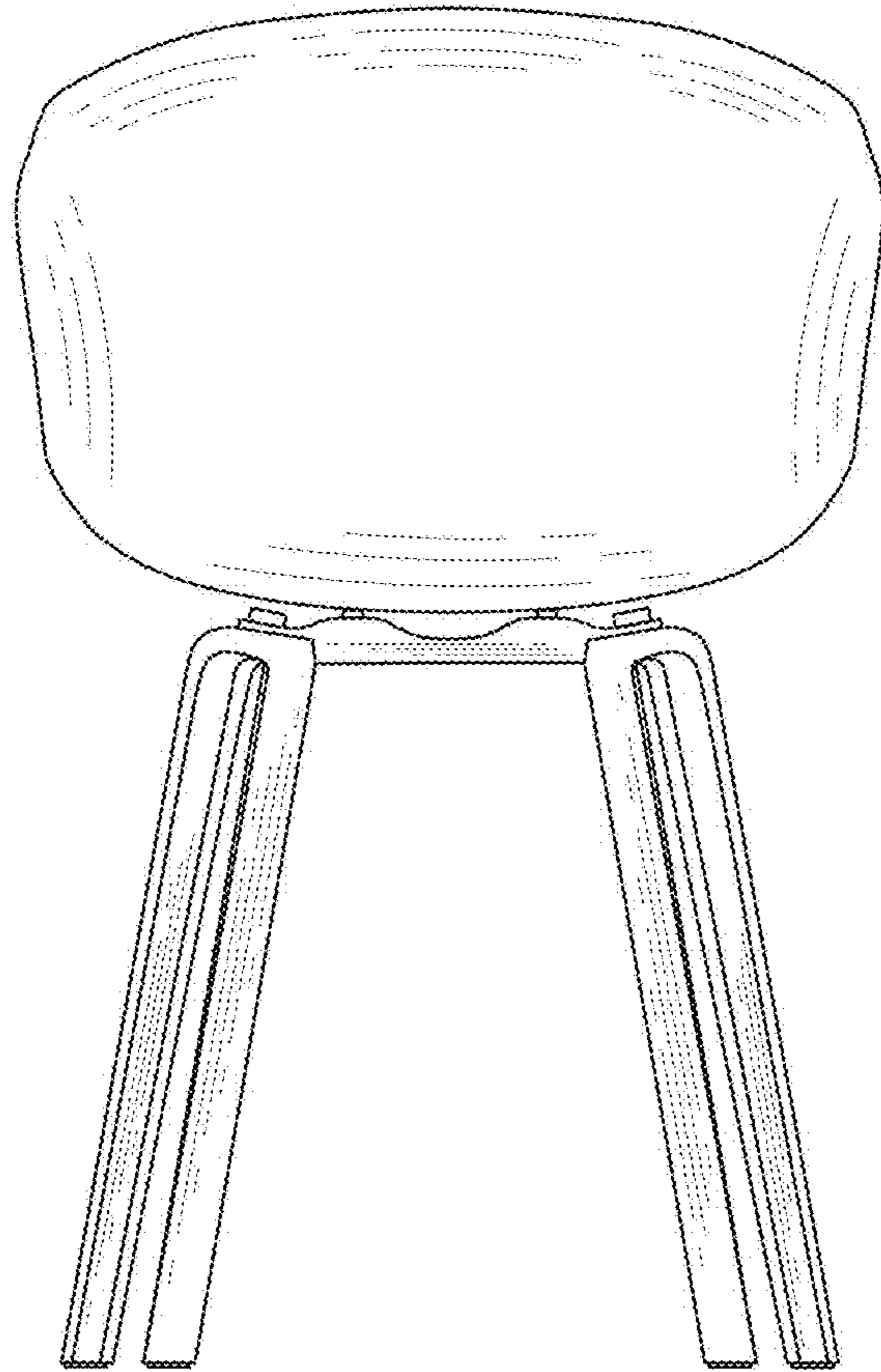


Fig.3

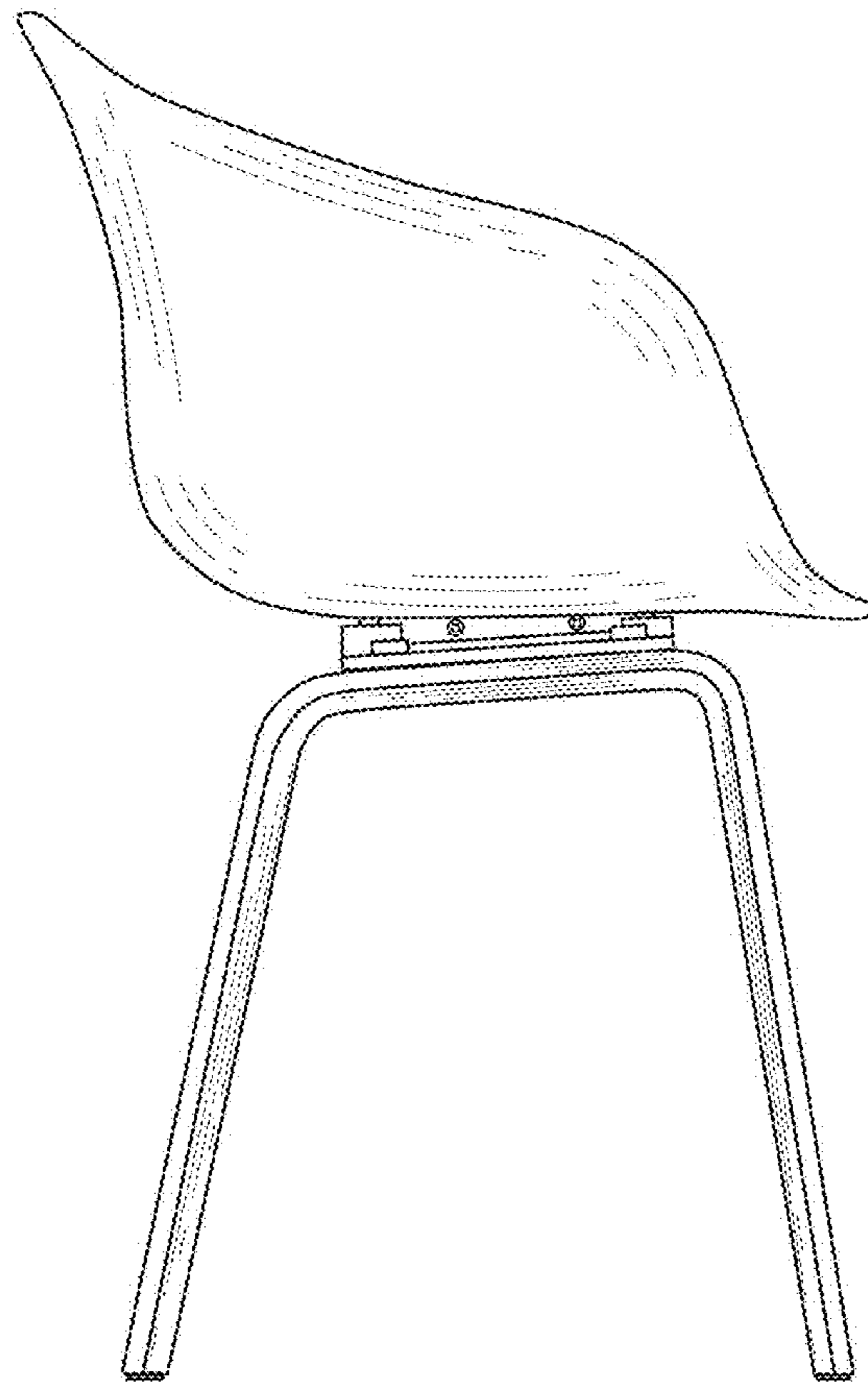


Fig.4

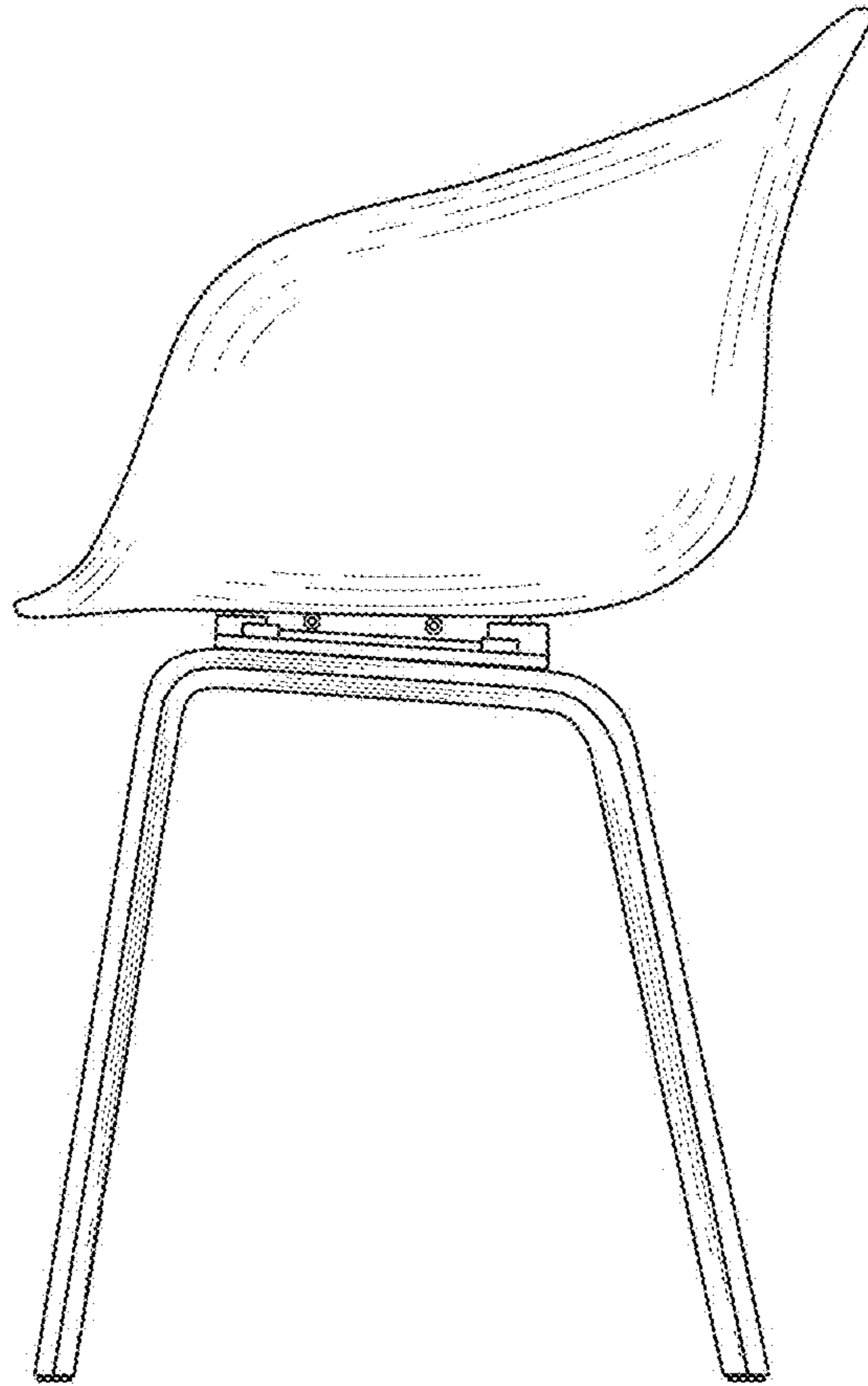


Fig.5

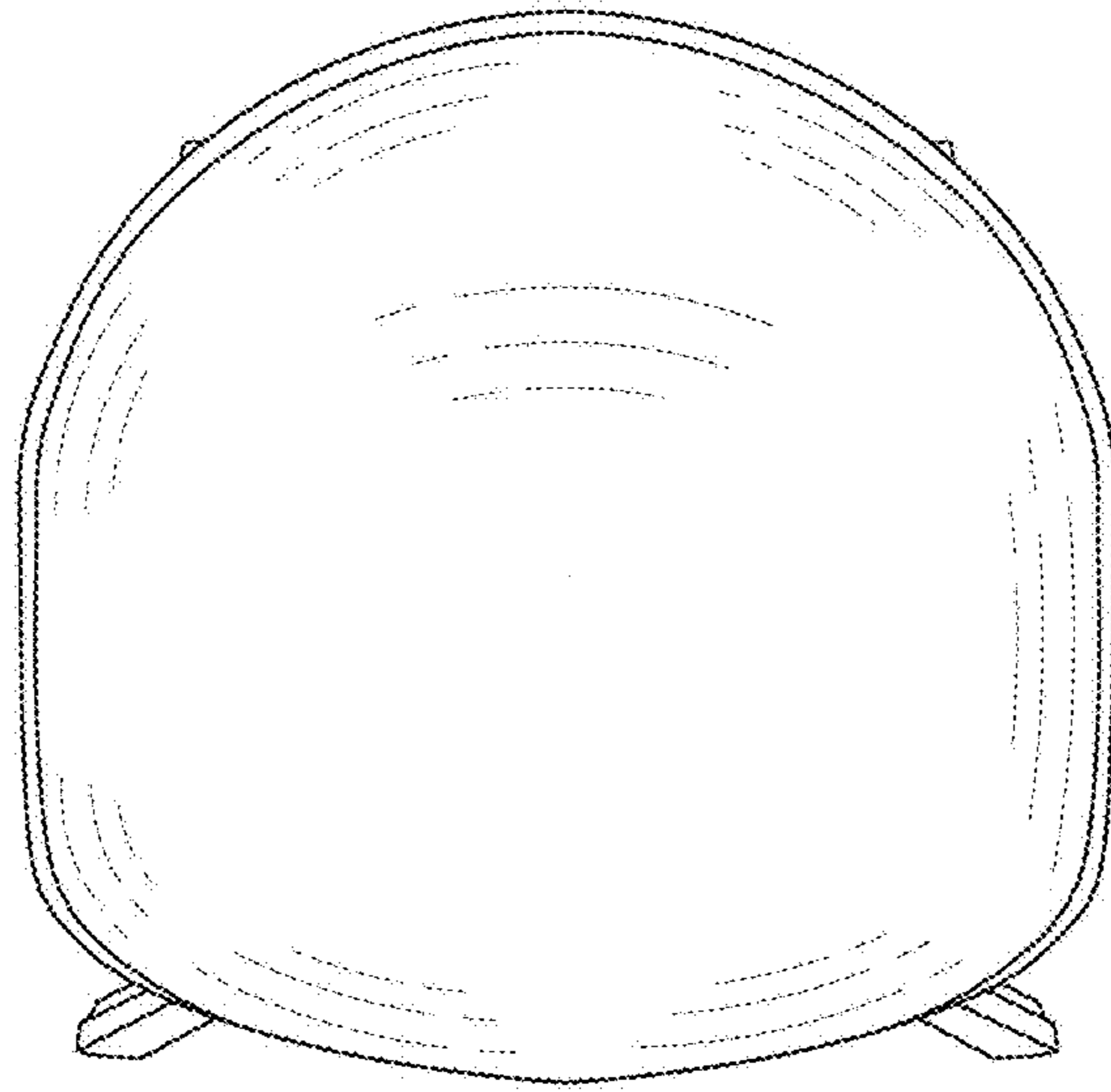


Fig.6

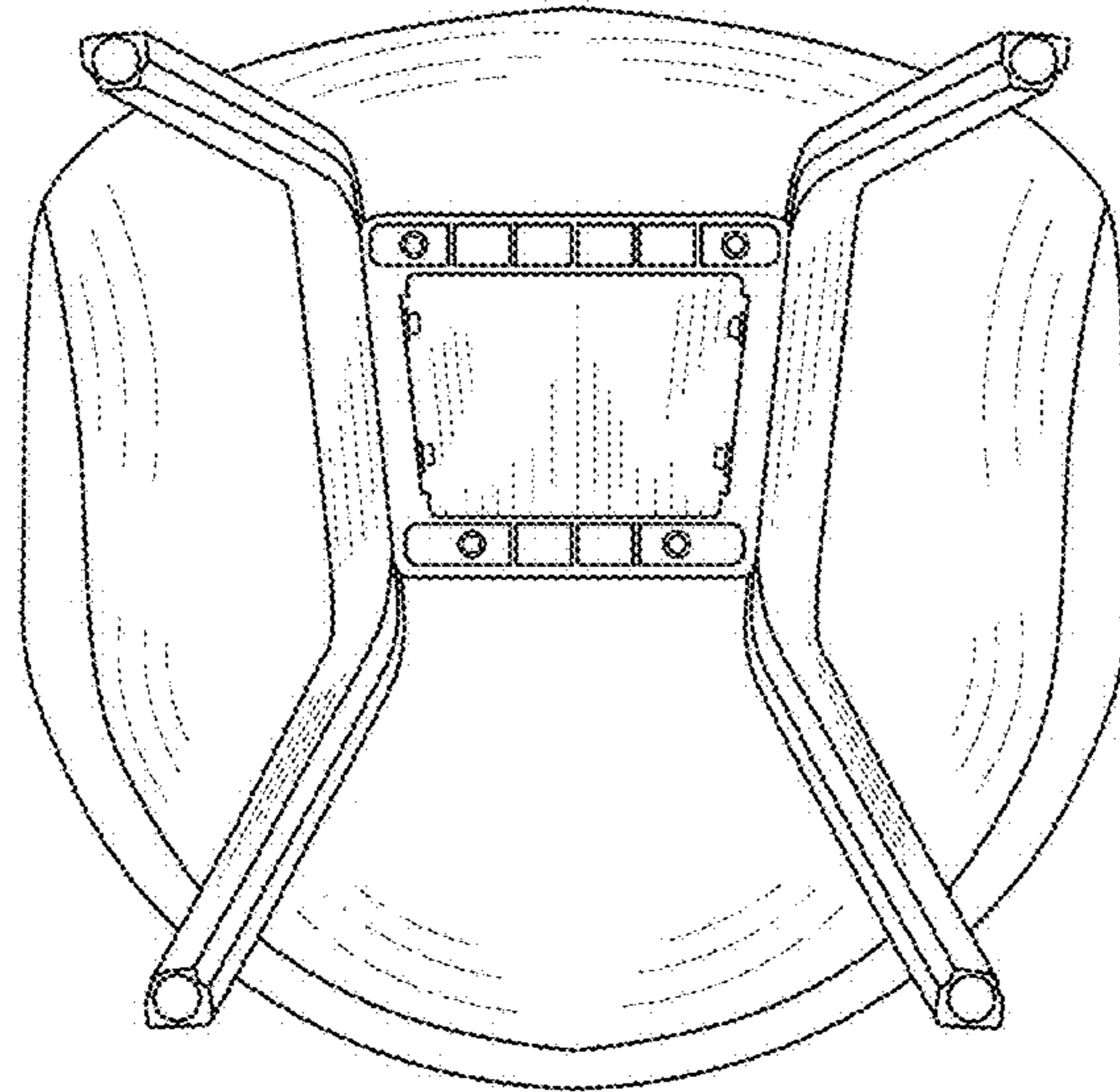


Fig.7