



US00D886484S

(12) **United States Design Patent**
Li

(10) **Patent No.:** **US D886,484 S**

(45) **Date of Patent:** **** Jun. 9, 2020**

(54) **CHAIR**

(71) Applicant: **39F USA INC**, Rancho Cucamonga, CA (US)

(72) Inventor: **Yuehai Li**, Rancho Cucamonga, CA (US)

(**) Term: **15 Years**

(21) Appl. No.: **29/692,003**

(22) Filed: **May 21, 2019**

(51) **LOC (12) Cl.** **06-01**

(52) **U.S. Cl.**
USPC **D6/374**

(58) **Field of Classification Search**
USPC D6/334, 349, 369, 374–376, 379–382, D6/711, 708.16, 716.1
CPC A47C 3/04; A47C 3/12; A47C 5/04; A47C 5/12; A47C 5/14; A47C 7/02; A47C 7/16; A47C 7/18; A47C 7/24; A47C 11/00; A47C 15/002; A47C 17/02
See application file for complete search history.

(56) **References Cited**

U.S. PATENT DOCUMENTS

- 3,841,704 A * 10/1974 Platner A47C 3/12
297/452.55
- D268,152 S * 3/1983 Rausch D6/334

- D288,506 S * 3/1987 Ochsner D6/375
- D660,054 S * 5/2012 Kane D6/716
- D664,381 S * 7/2012 Kubryk D6/366
- D742,658 S * 11/2015 Bisman D6/374
- D799,873 S * 10/2017 Swy D6/716
- D807,066 S * 1/2018 Vance D6/334
- D811,757 S * 3/2018 Moscheri D6/334
- D871,788 S * 1/2020 Gori D6/360

* cited by examiner

Primary Examiner — R. Johnson

(74) *Attorney, Agent, or Firm* — Feng Qian

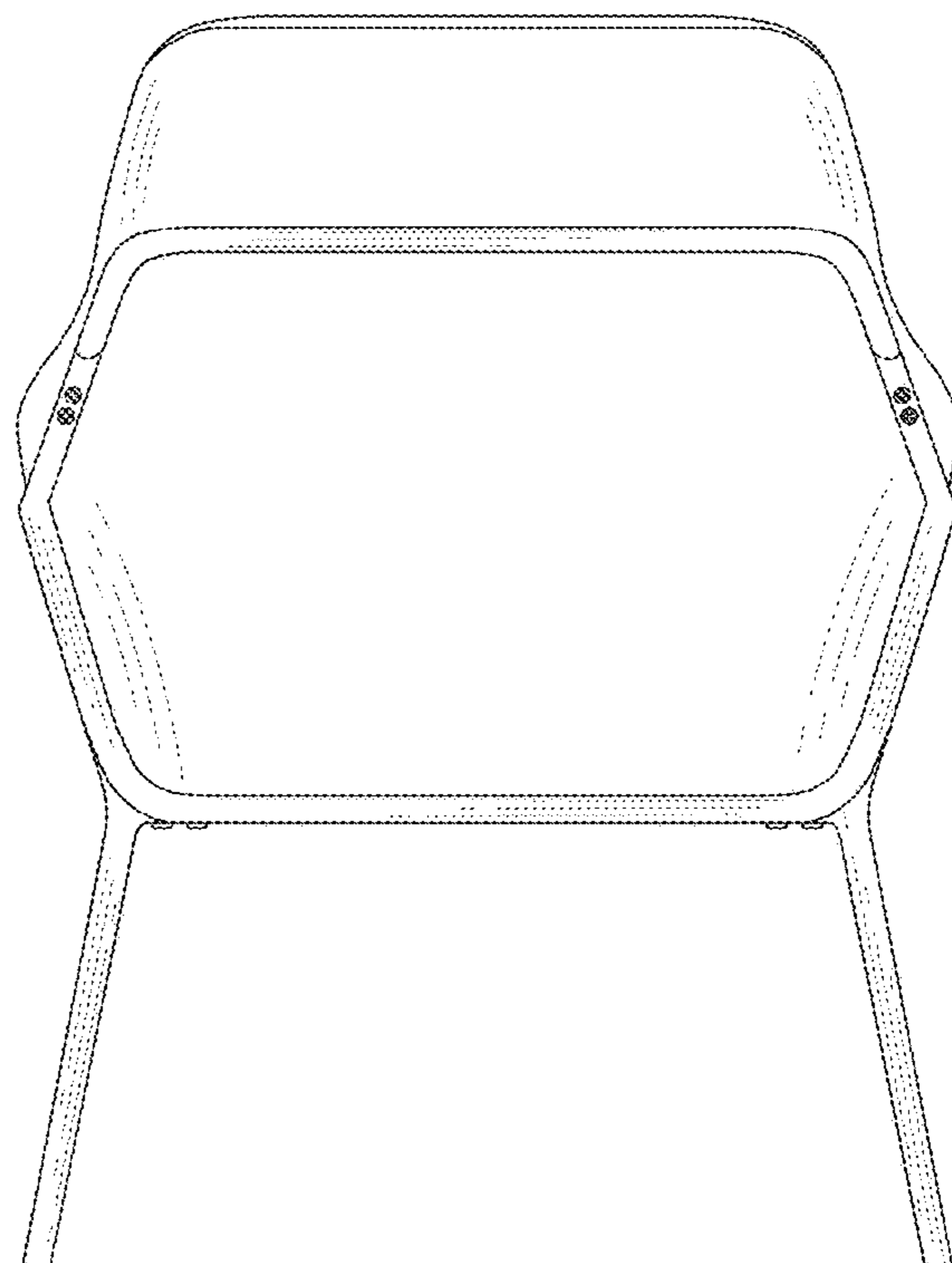
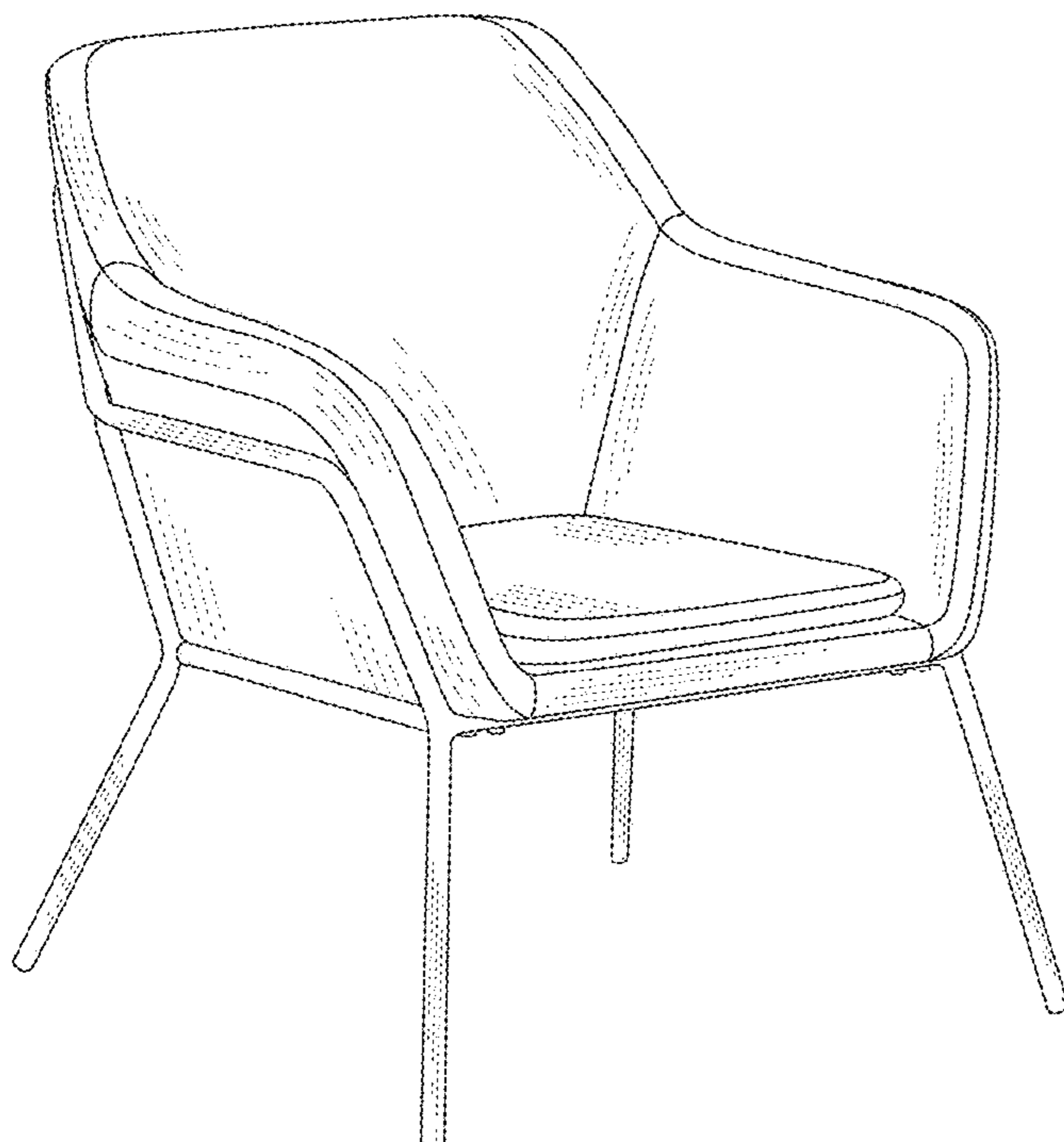
(57) **CLAIM**

The ornamental design for a chair, as shown and described.

DESCRIPTION

FIG. 1 is a front perspective view of a chair showing my new design;
FIG. 2 is a front elevation view thereof;
FIG. 3 is a rear elevation view thereof;
FIG. 4 is a left-side elevation view thereof;
FIG. 5 is a right-side elevation view thereof;
FIG. 6 is a top plan view thereof; and,
FIG. 7 is a bottom plan view thereof.

1 Claim, 7 Drawing Sheets



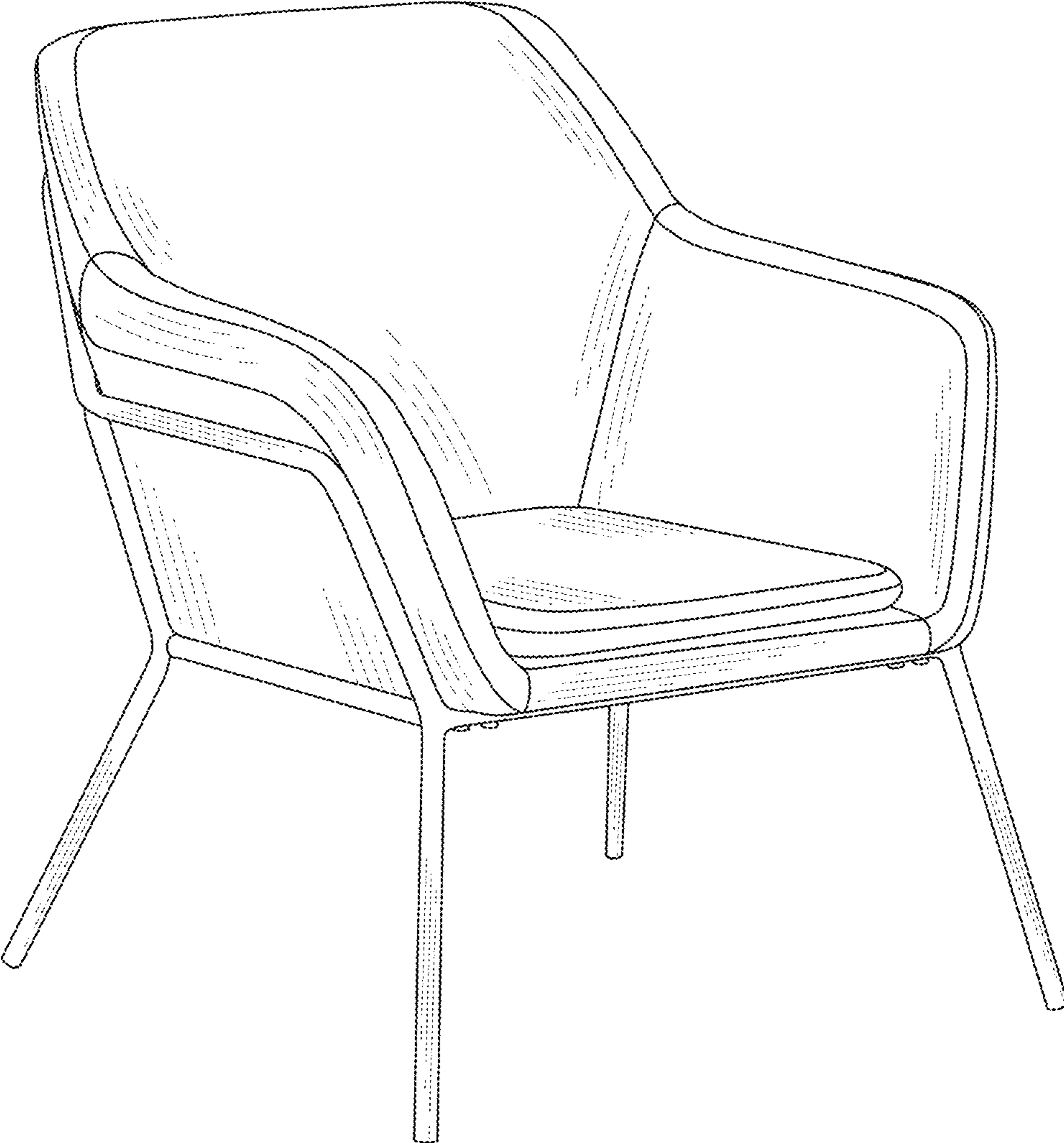


Fig.1

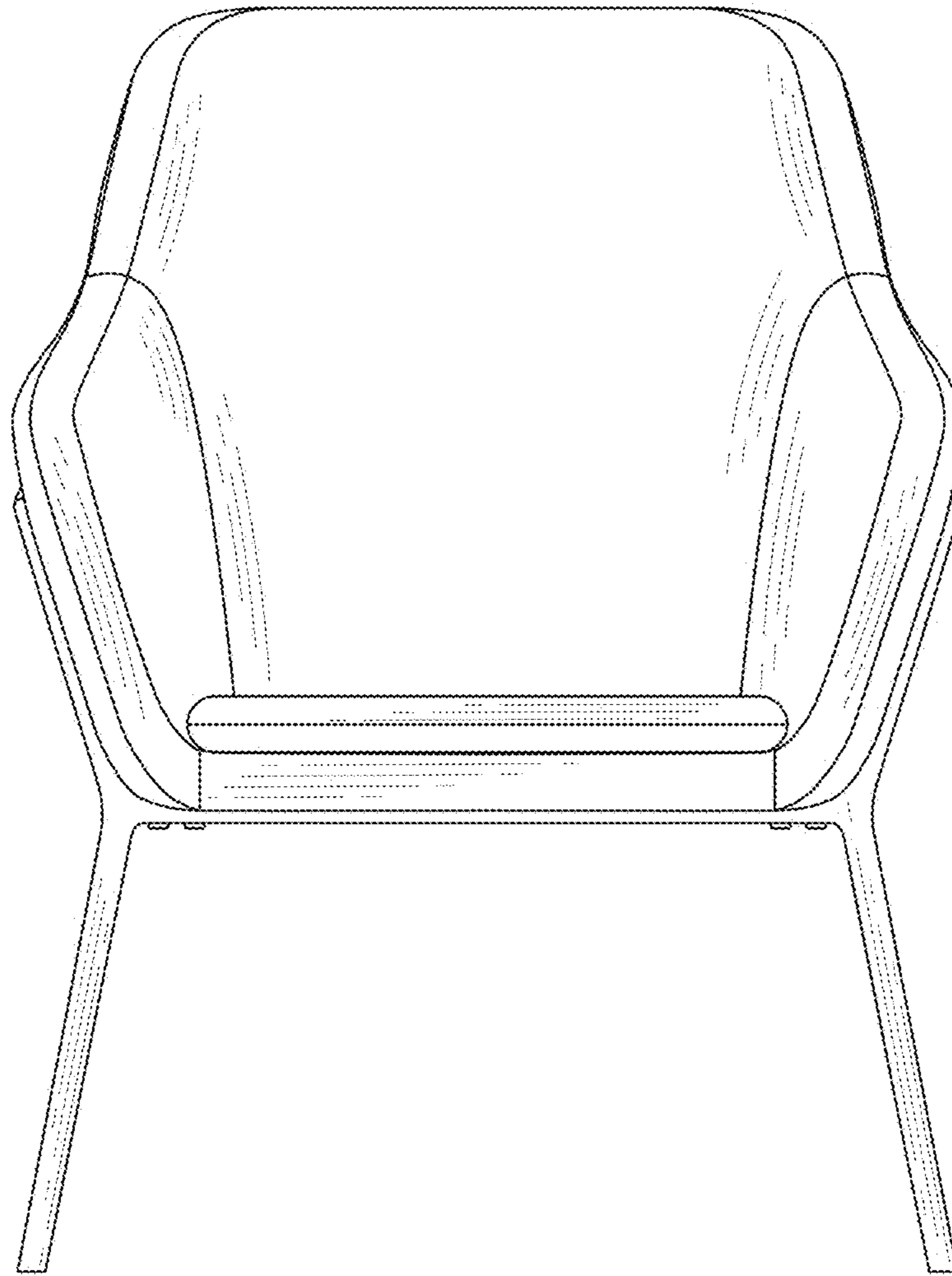


Fig.2

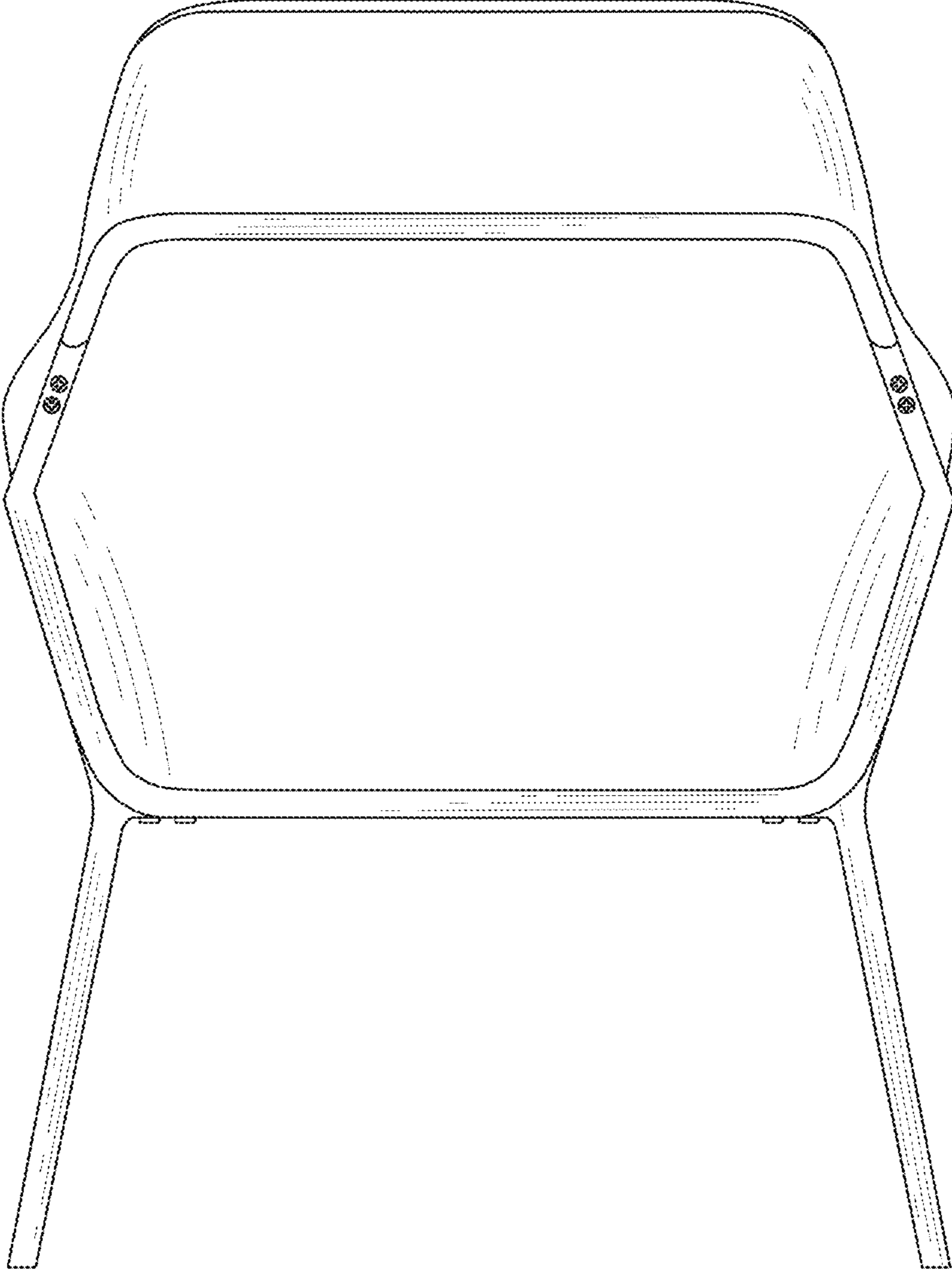


Fig.3

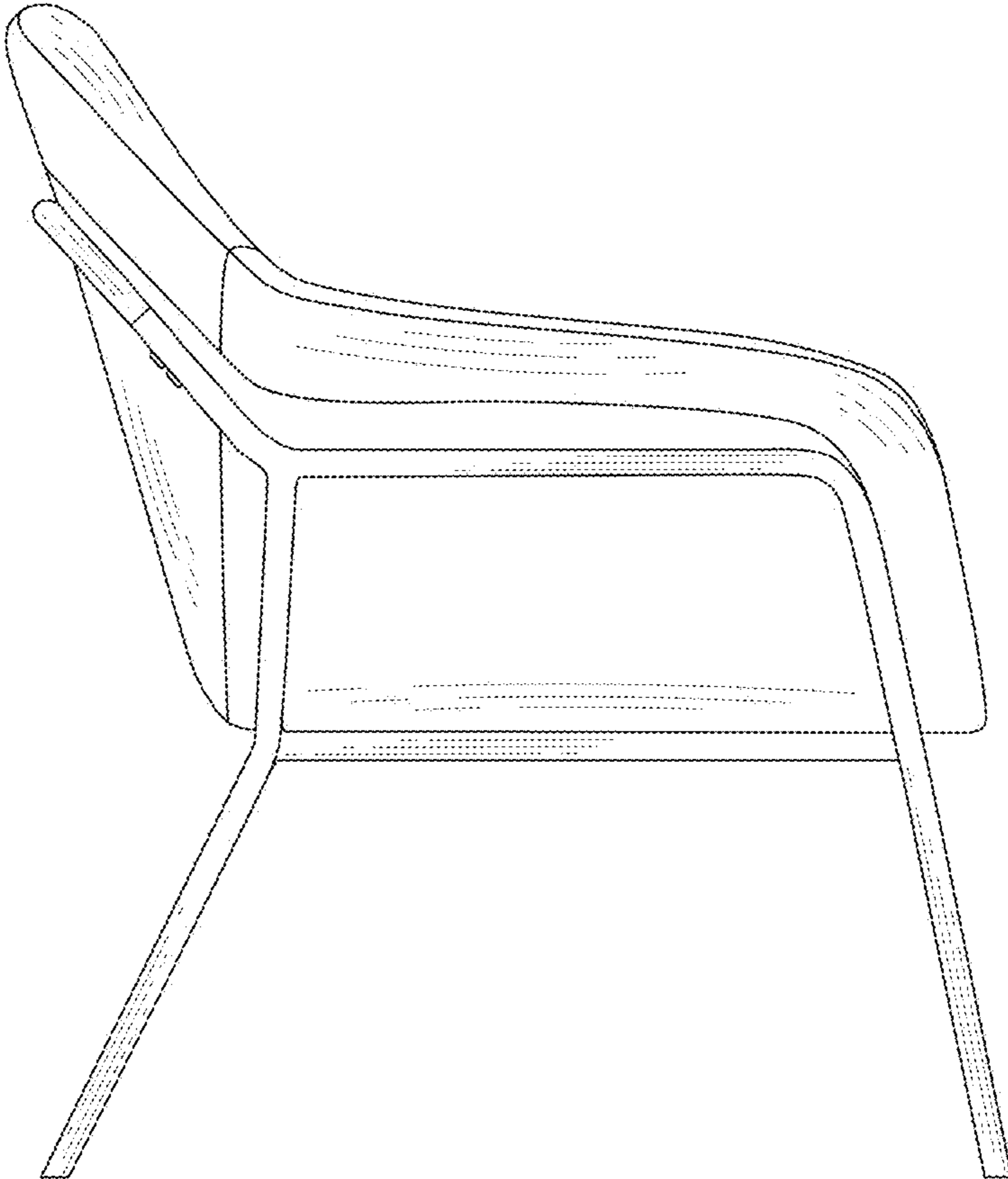


Fig.4

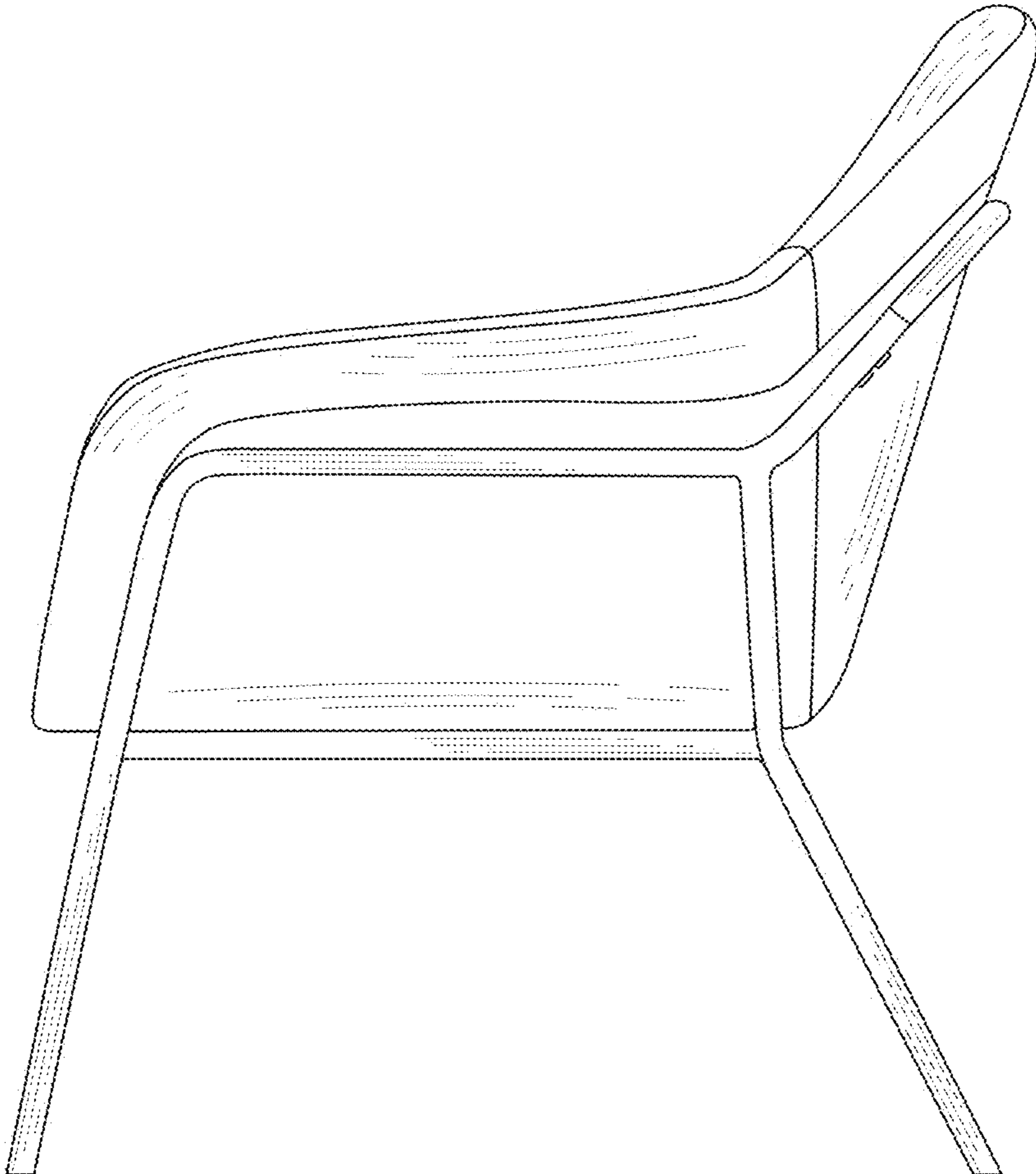


Fig.5

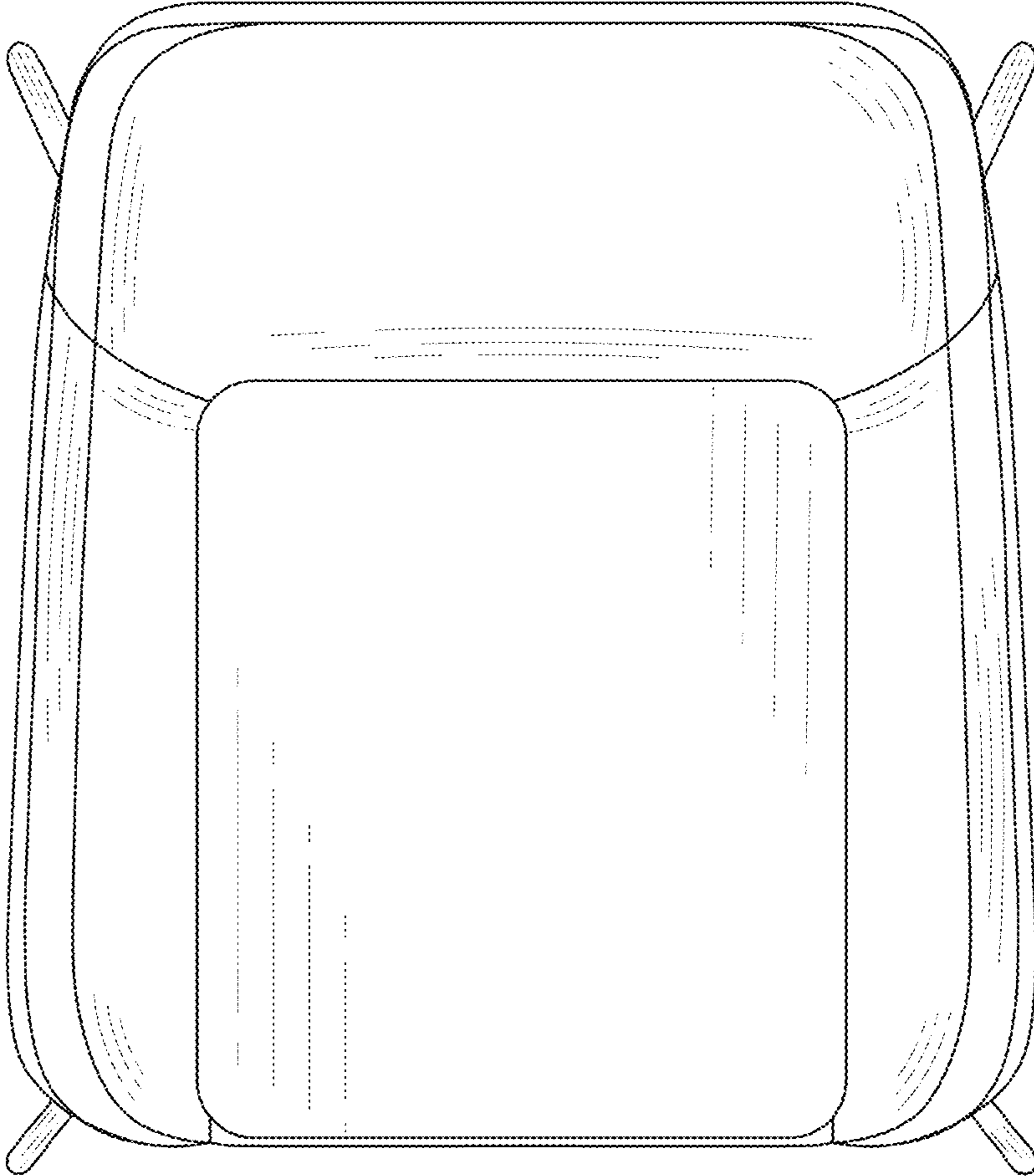


Fig.6

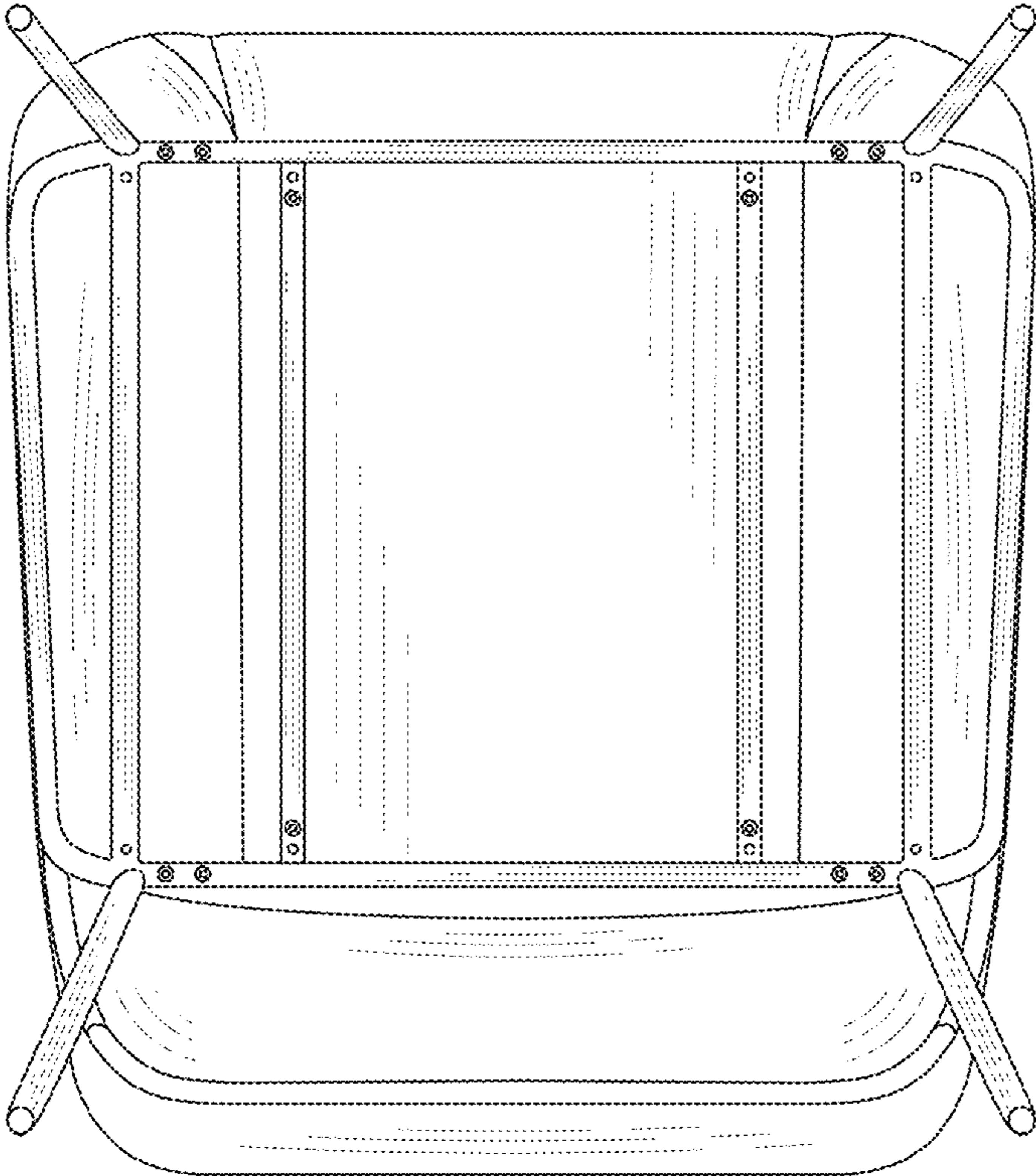


Fig.7