



US00D886480S

(12) **United States Design Patent**  
**Feng**

(10) **Patent No.:** **US D886,480 S**

(45) **Date of Patent:** **\*\* Jun. 9, 2020**

(54) **SWIVEL CHAIR**

(71) Applicant: **Hangzhou Jijian Household Products Co., Ltd.**, Hangzhou (CN)

(72) Inventor: **Xiaowei Feng**, Hangzhou (CN)

(73) Assignee: **HANGZHOU JIJIAN HOUSEHOLD PRODUCTS CO., LTD.**, Hangzhou (CN)

(\*\*) Term: **15 Years**

(21) Appl. No.: **29/636,931**

(22) Filed: **Feb. 13, 2018**

(30) **Foreign Application Priority Data**

Sep. 29, 2017 (CN) ..... 2017 3 0468330

(51) **LOC (12) Cl.** ..... **06-01**

(52) **U.S. Cl.**  
USPC ..... **D6/366**

(58) **Field of Classification Search**

USPC ..... D6/334-336, 364, 365, 366, 369, 374,  
D6/379, 380, 716, 716.1, 716.2, 716.4

CPC ..... A47C 7/004; A47C 7/006; A47C 7/02;  
A47C 7/18; A47C 7/24; A47C 7/282;  
A47C 7/40; A47C 7/44; A47C 7/46;  
A47C 7/54; B60N 2/66

See application file for complete search history.

(56) **References Cited**

**U.S. PATENT DOCUMENTS**

D549,976 S \* 9/2007 Lin ..... D6/366  
D568,624 S \* 5/2008 Wen ..... D6/366

D585,205 S \* 1/2009 Wen ..... D6/366  
D647,716 S \* 11/2011 Lu ..... D6/366  
D683,551 S \* 6/2013 Wu ..... D6/366  
D683,552 S \* 6/2013 Wu ..... D6/366  
D704,946 S \* 5/2014 Wu ..... D6/366  
D708,879 S \* 7/2014 Tsai ..... D6/716  
D788,508 S \* 6/2017 Li ..... D6/366  
D819,995 S \* 6/2018 Woller ..... D6/366  
D819,996 S \* 6/2018 Woller ..... D6/366

\* cited by examiner

*Primary Examiner* — Mimoso De

(74) *Attorney, Agent, or Firm* — Bayramoglu Law Offices LLC

(57) **CLAIM**

The ornamental design for swivel chair, as shown and described.

**DESCRIPTION**

FIG. 1 is a front view of a swivel chair showing my new design;

FIG. 2 is a back view thereof;

FIG. 3 is a left side view thereof;

FIG. 4 is a right side view thereof;

FIG. 5 is a top view thereof;

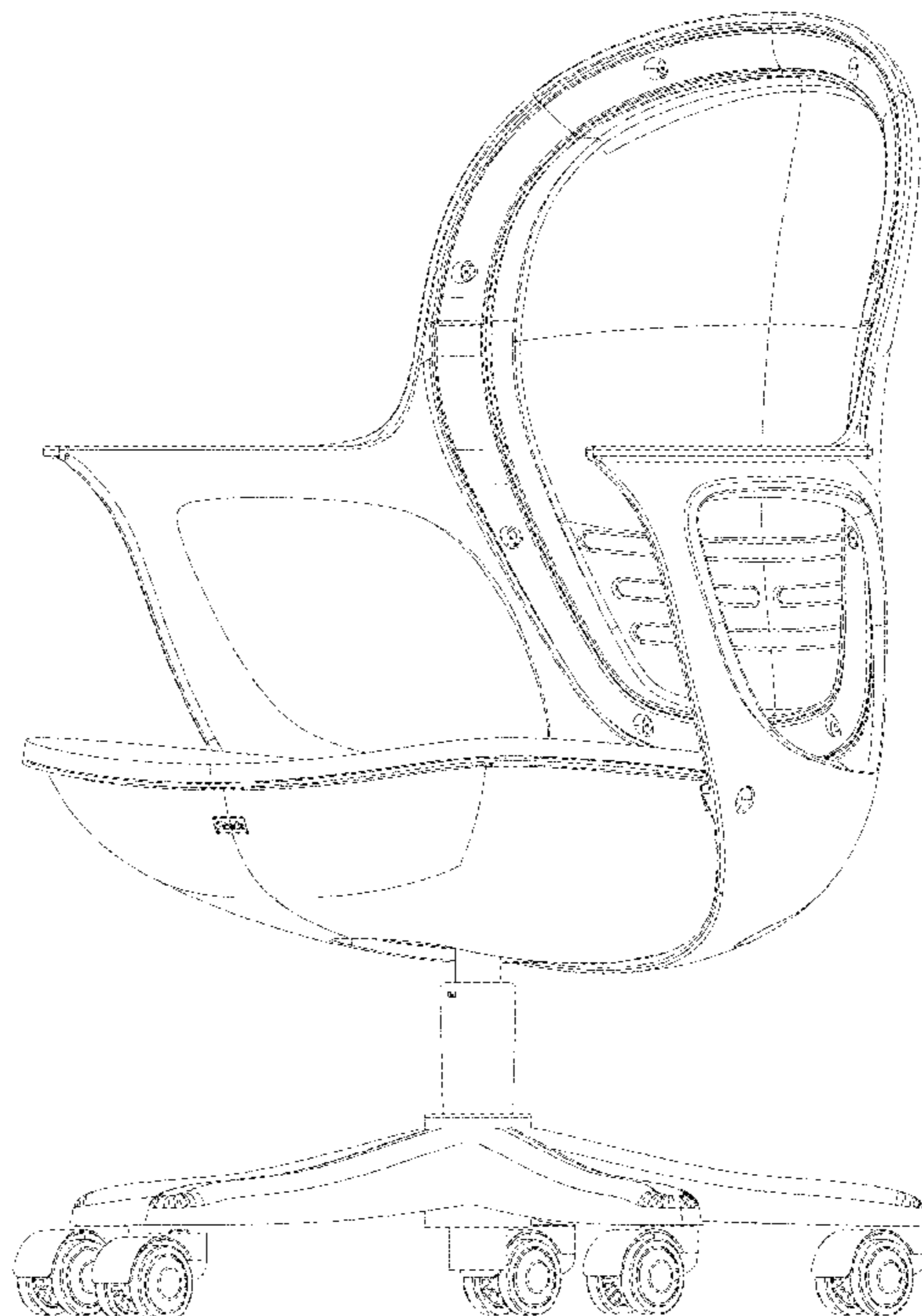
FIG. 6 is an upward view thereof;

FIG. 7 is a perspective view thereof; and,

FIG. 8 is a partial enlarged view of the indicated area "8" in FIG. 6.

The broken lines depicting portions of the swivel chair form no part of the claimed design.

**1 Claim, 8 Drawing Sheets**



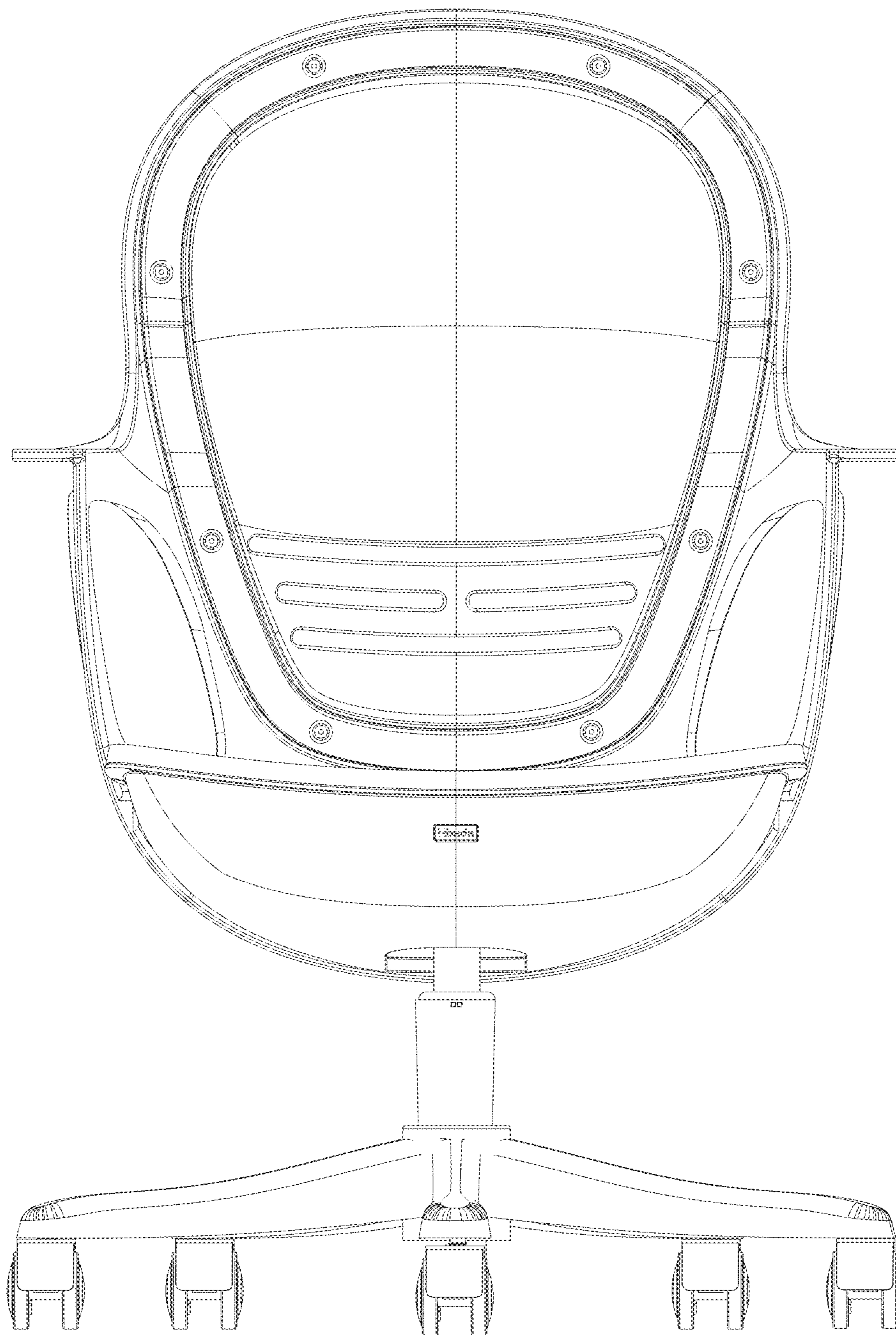


FIG. 1

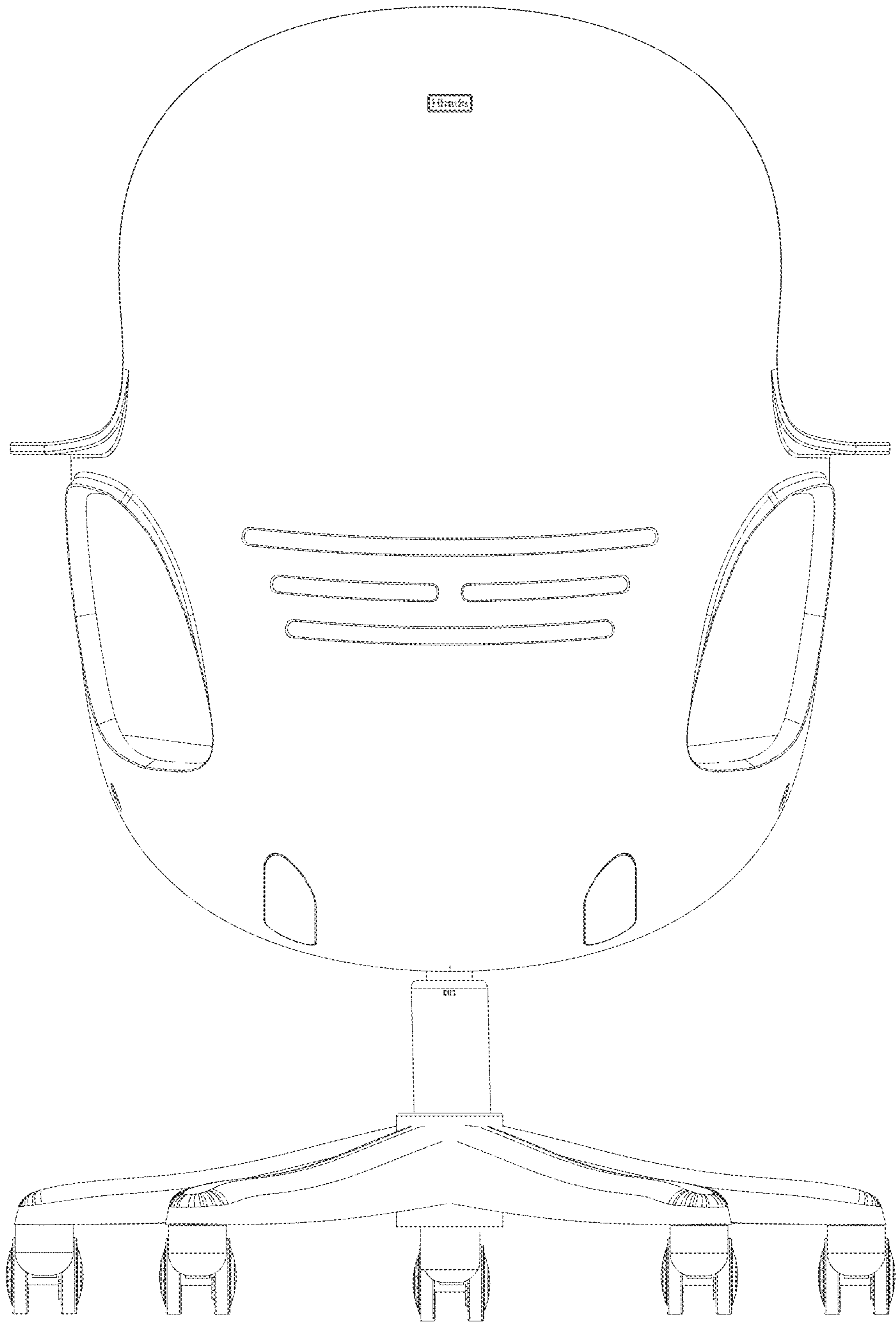


FIG. 2

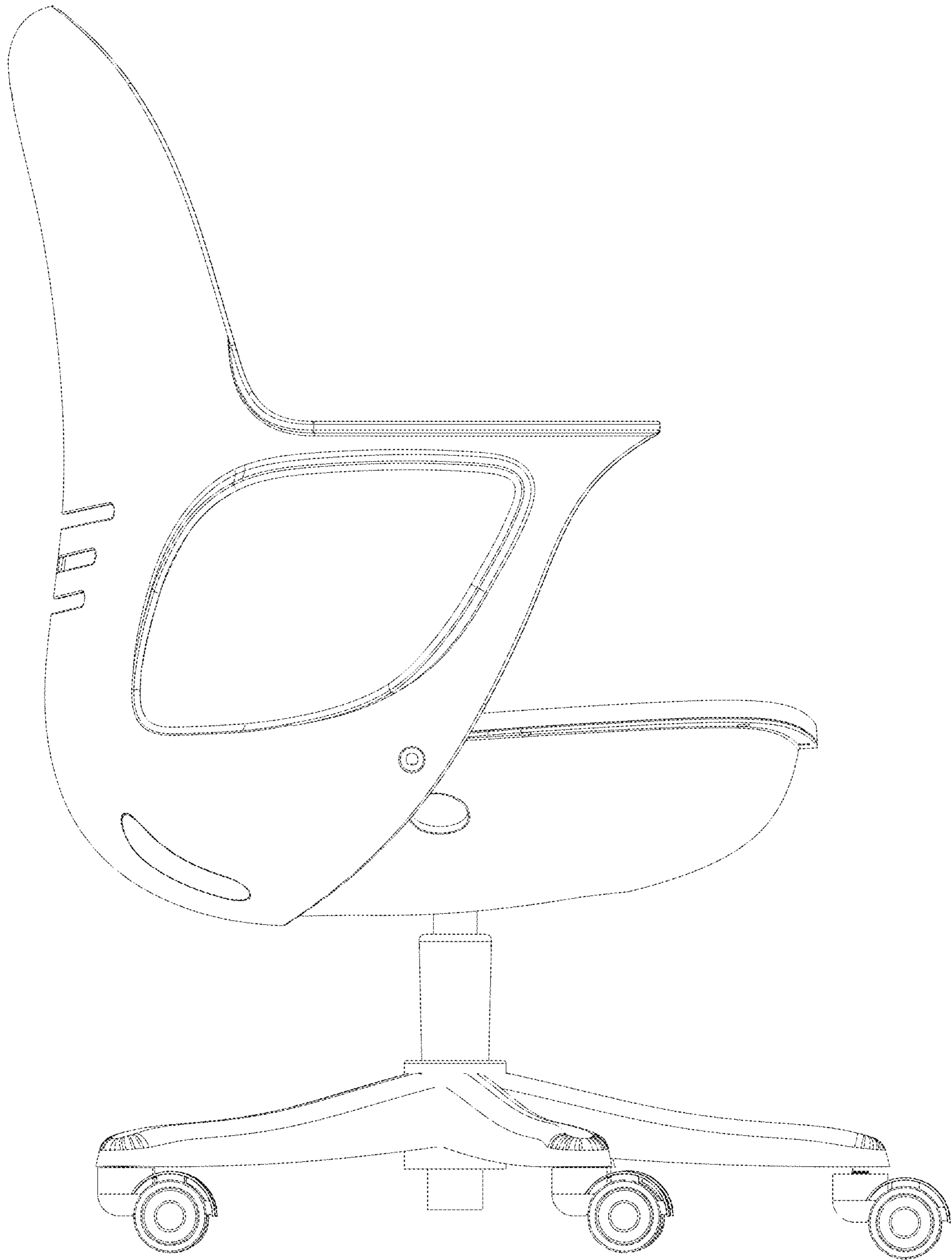


FIG. 3

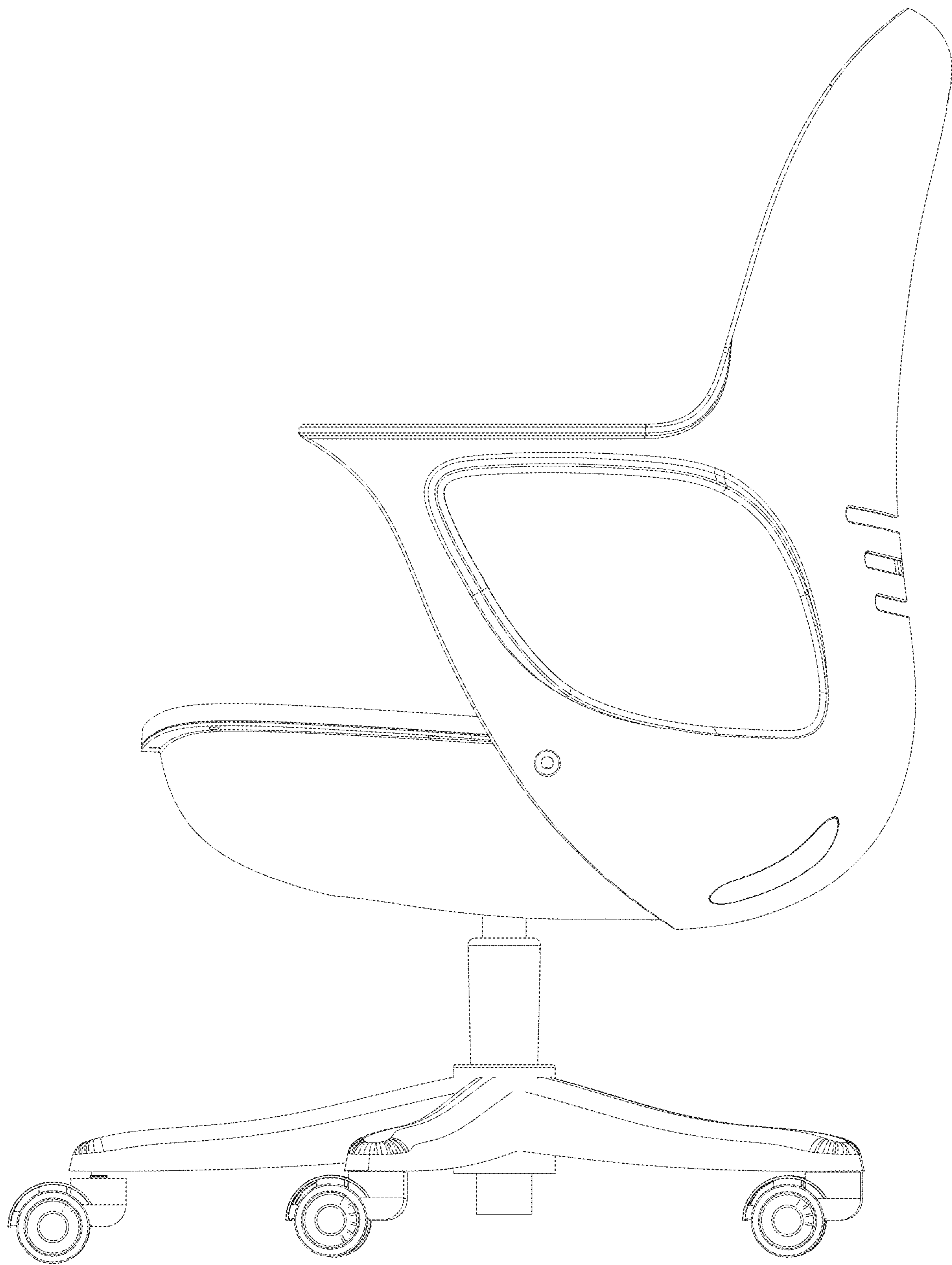


FIG. 4

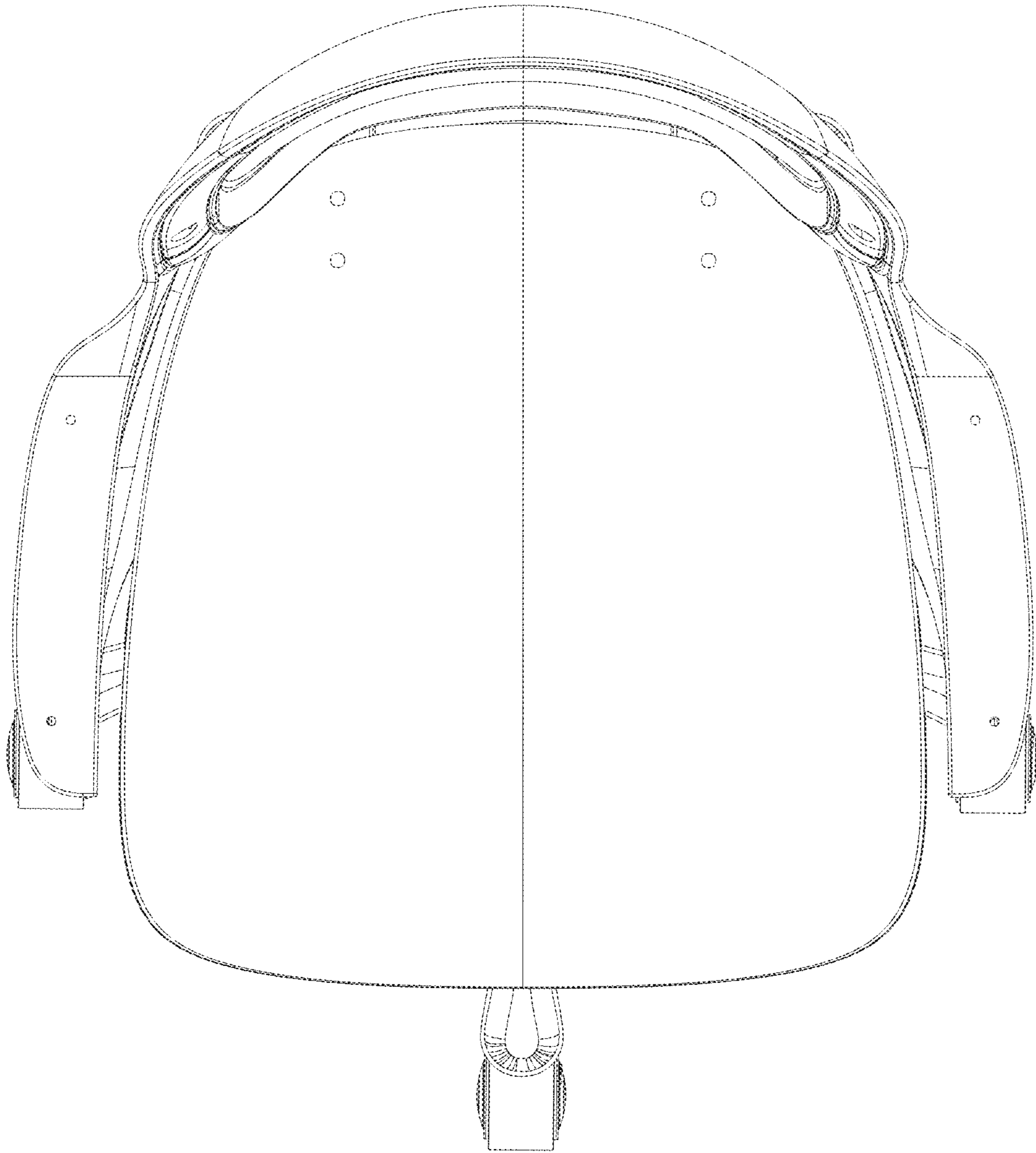


FIG. 5

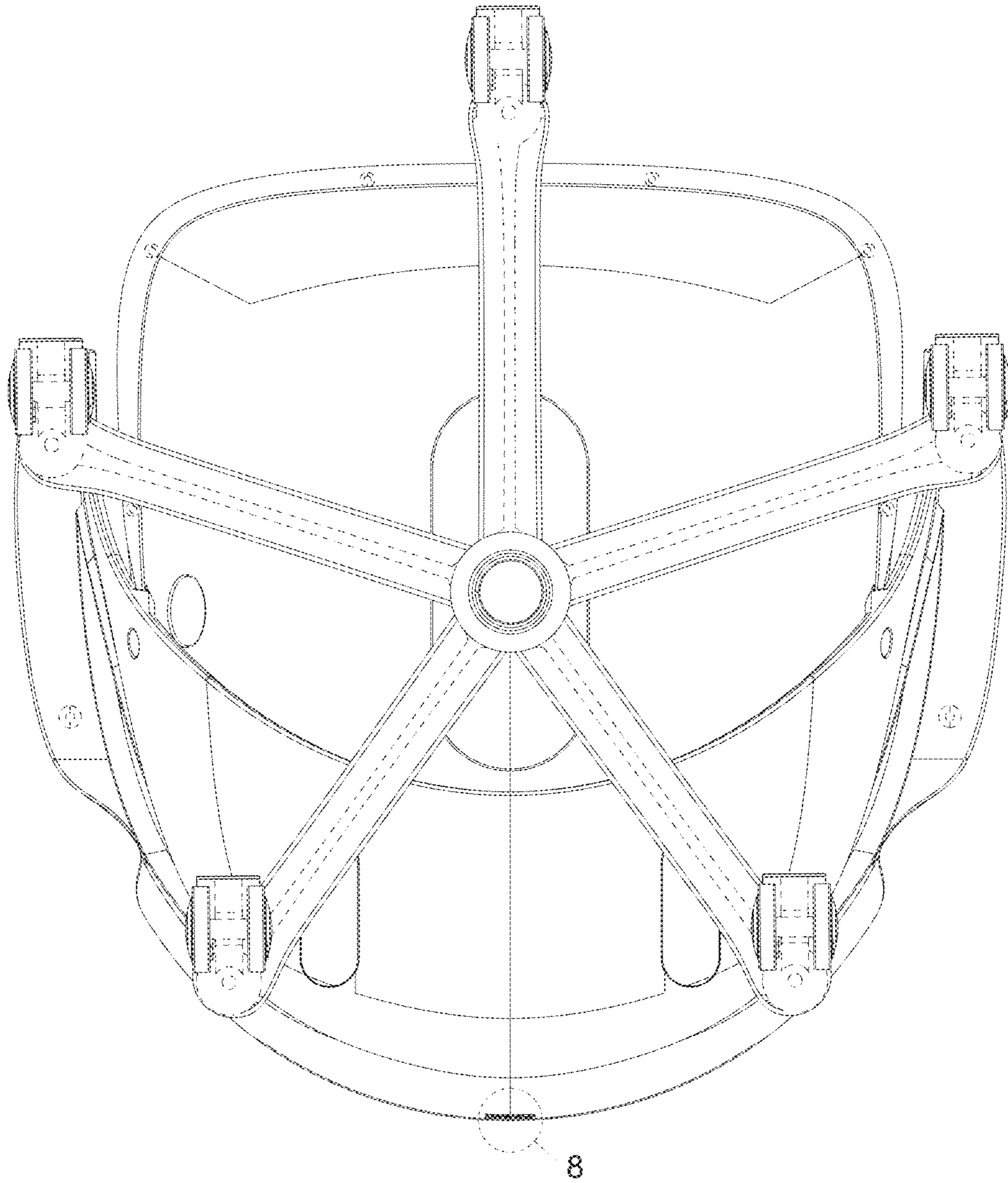


FIG. 6

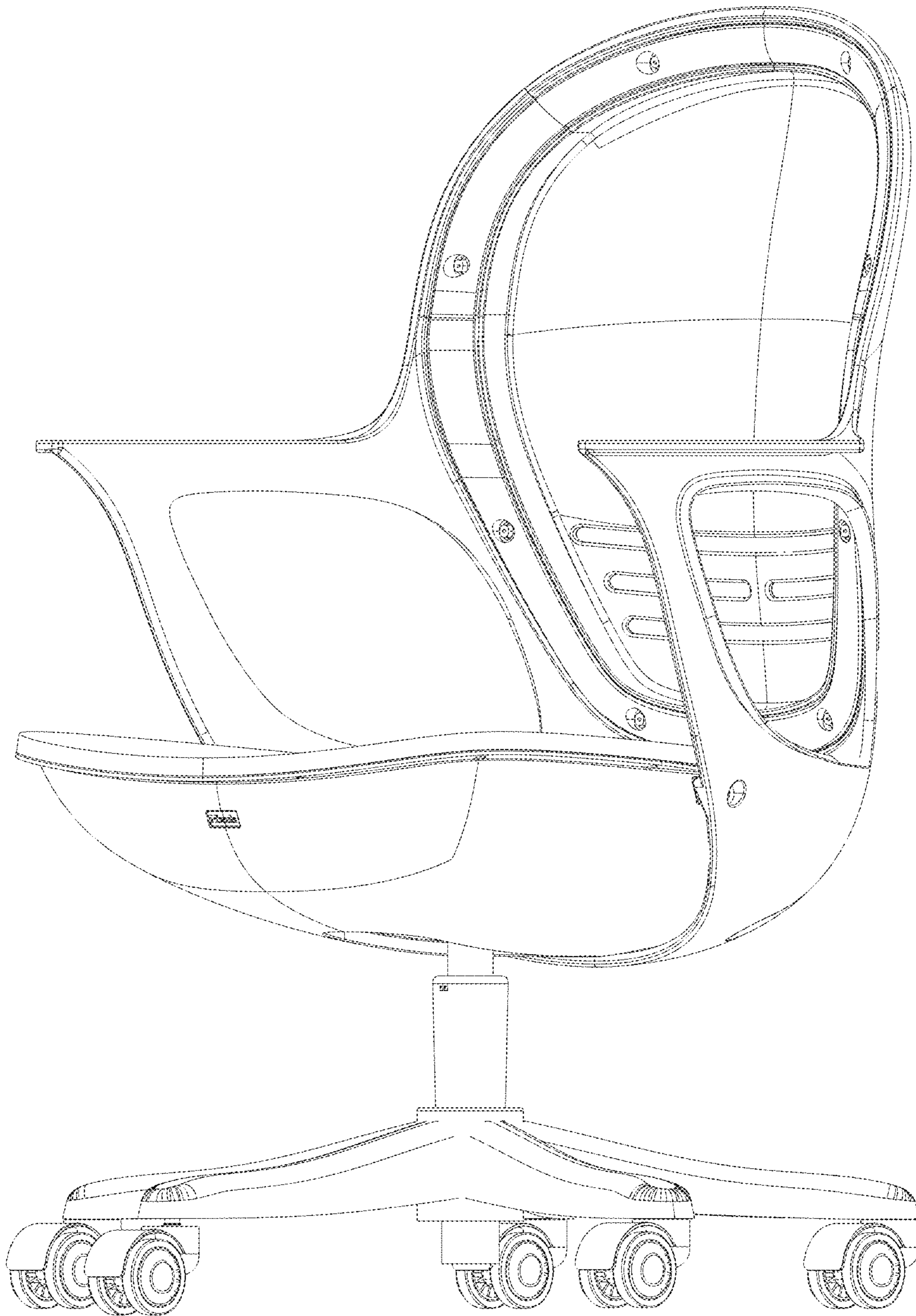


FIG. 7



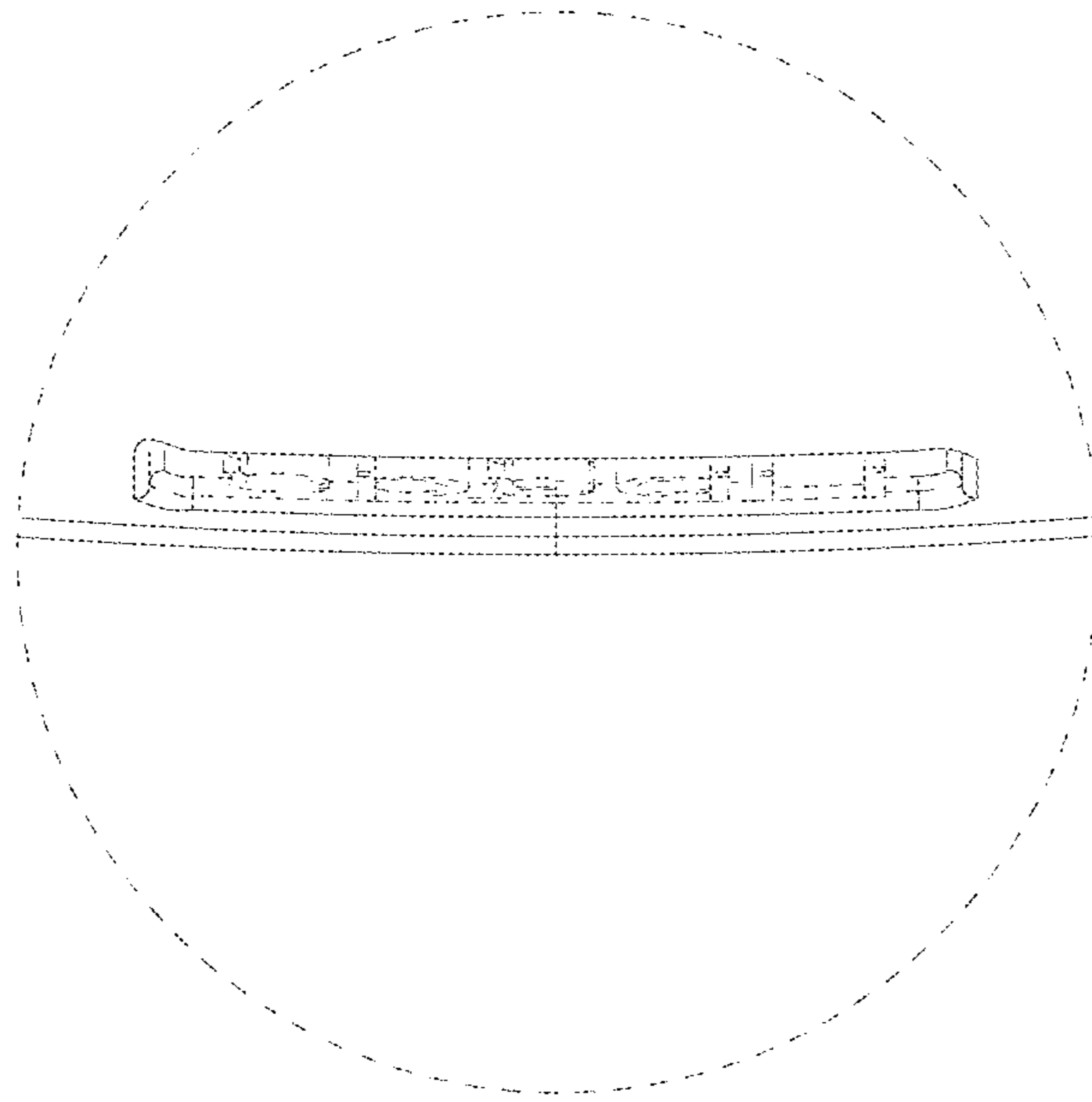


FIG. 8