



US00D886477S

(12) **United States Design Patent**
Killinger

(10) **Patent No.:** **US D886,477 S**

(45) **Date of Patent:** ** ***Jun. 9, 2020**

- (54) **SOFA AND TABLE UNIT**
- (71) Applicant: **Williams-Sonoma, Inc.**, San Francisco, CA (US)
- (72) Inventor: **James Ian Killinger**, Brooklyn, NY (US)
- (73) Assignee: **Williams-Sonoma, Inc.**, San Francisco, CA (US)
- (*) Notice: This patent is subject to a terminal disclaimer.
- (**) Term: **15 Years**
- (21) Appl. No.: **29/650,888**
- (22) Filed: **Jun. 11, 2018**
- (51) **LOC (12) Cl.** **06-01**
- (52) **U.S. Cl.**
USPC **D6/336; D6/381**
- (58) **Field of Classification Search**
USPC D6/334, 374, 375, 381, 335, 336
CPC A47C 17/00; A47C 17/02; A47C 17/86;
A47C 13/005; A47B 83/00; A47B 83/02;
A47B 83/023; A47B 83/04
See application file for complete search history.

- D484,709 S * 1/2004 Cronk D6/336
- D655,936 S * 3/2012 Serape D6/381
- D699,963 S * 2/2014 Hidalgo D6/381
- D722,237 S * 2/2015 Baraldi D6/336
- D814,823 S * 4/2018 Barrell D6/381
- D826,588 S * 8/2018 Barrell D6/381
- D859,022 S * 9/2019 Jones D6/374

(Continued)

Primary Examiner — Cathron C Brooks
(74) *Attorney, Agent, or Firm* — Cook Alex Ltd.; R. Blake Johnston

(57) **CLAIM**

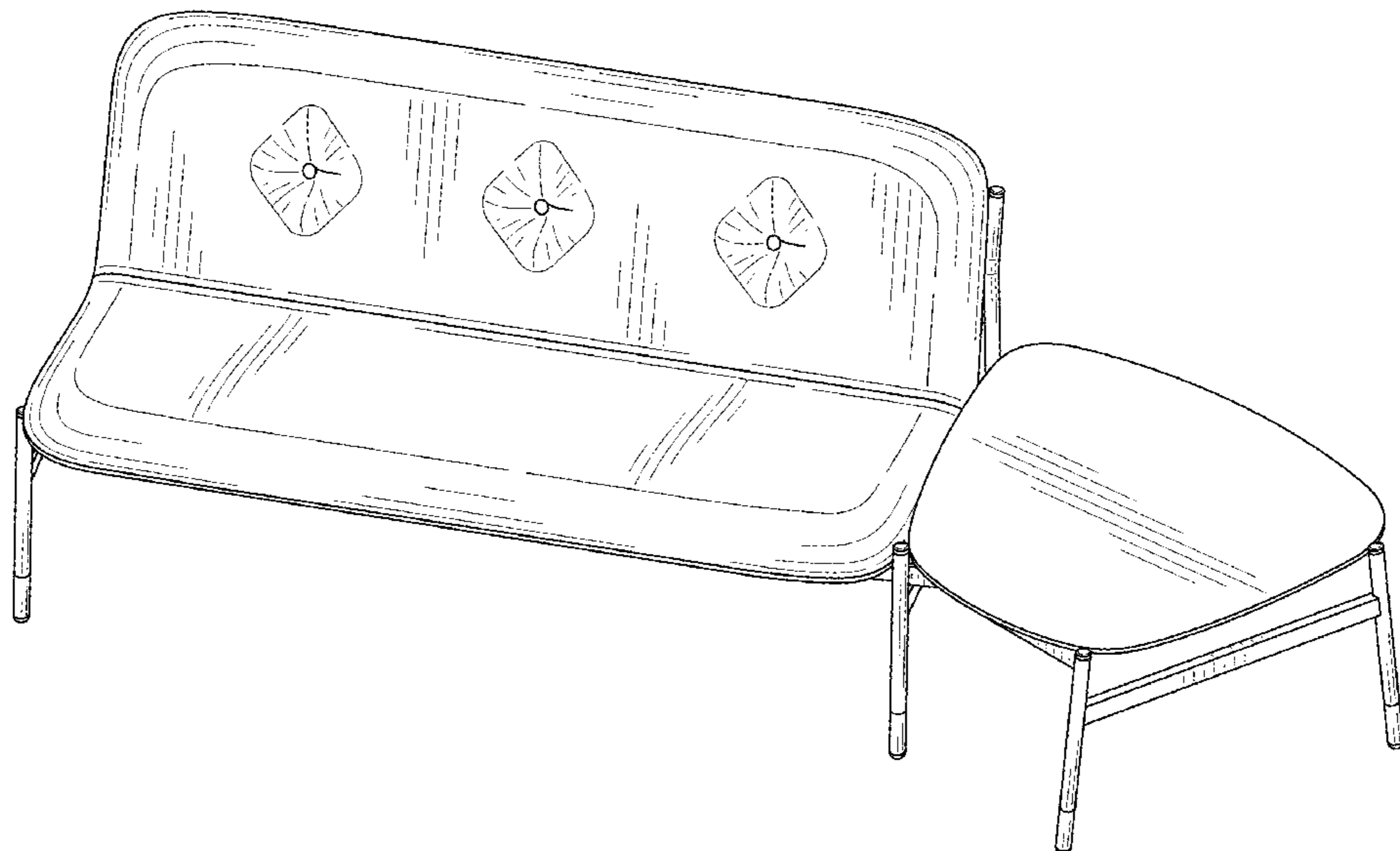
The ornamental design for a sofa and table unit, as shown and described.

DESCRIPTION

FIG. 1 is a perspective view of a first embodiment of the sofa and table unit;
 FIG. 2 is a front elevational view thereof;
 FIG. 3 is a rear elevational view thereof;
 FIG. 4 is a right side elevational view thereof;
 FIG. 5 is a left side elevational view thereof;
 FIG. 6 is a top plan view thereof;
 FIG. 7 is a bottom plan view thereof;
 FIG. 8 is a perspective view of a second embodiment of the sofa and table unit;
 FIG. 9 is a front elevational view thereof;
 FIG. 10 is a rear elevational view thereof;
 FIG. 11 is a right side elevational view thereof;
 FIG. 12 is a left side elevational view thereof;
 FIG. 13 is a top plan view thereof;
 FIG. 14 is a bottom plan view thereof;
 FIG. 15 is another perspective view of the design of FIG. 1, but shown with broken line subject matter; and,
 FIG. 16 is another perspective view of the design of FIG. 1, but shown with broken line subject matter.
 The broken lines shown in the drawings show environmental structure only and form no part of the claimed design.

1 Claim, 16 Drawing Sheets

- (56) **References Cited**
U.S. PATENT DOCUMENTS
- D181,845 S * 1/1958 Frey D6/336
- 3,127,216 A * 3/1964 Clouse A47C 7/282
- 297/134
- D202,339 S * 9/1965 McRee D6/336
- D237,026 S * 10/1975 Pohlheim D6/336
- D268,551 S * 4/1983 Raftery D6/336
- D342,166 S * 12/1993 Heidmann D6/336
- 6,296,314 B1 * 10/2001 Klein A47B 85/04
- 297/119
- D478,749 S * 8/2003 Gilbert D6/374



(56)

References Cited

U.S. PATENT DOCUMENTS

D859,860 S * 9/2019 Iwasaki D6/336
2018/0358838 A1* 12/2018 Ji H02J 7/0052

* cited by examiner

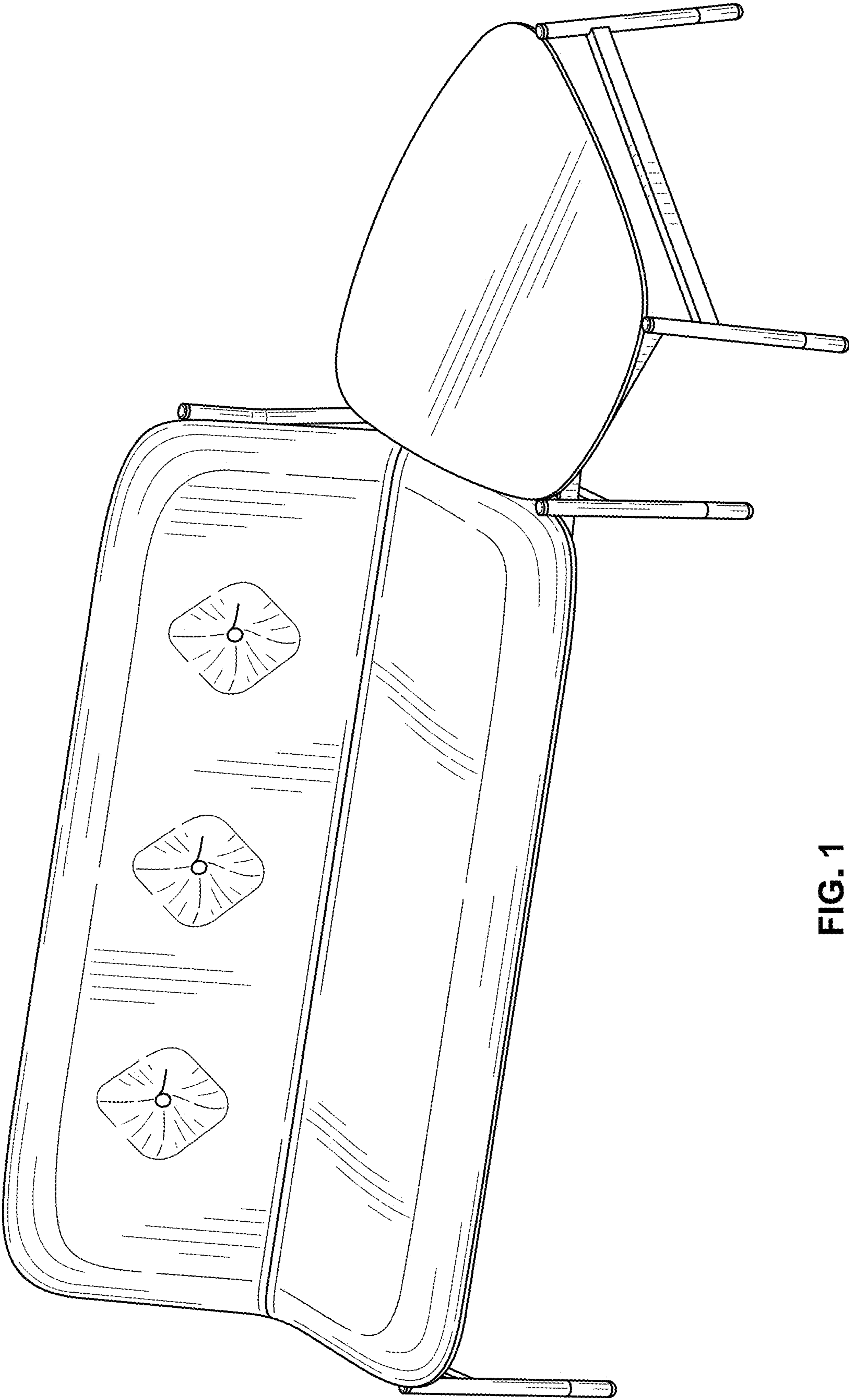


FIG. 1

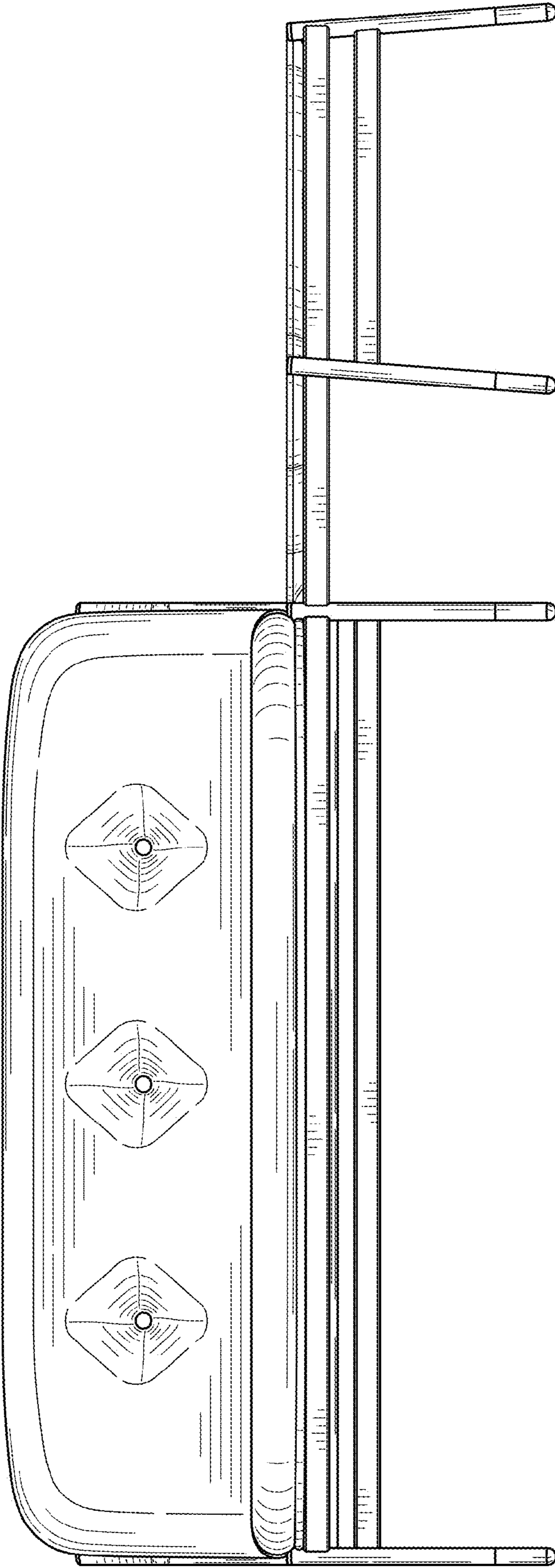


FIG. 2

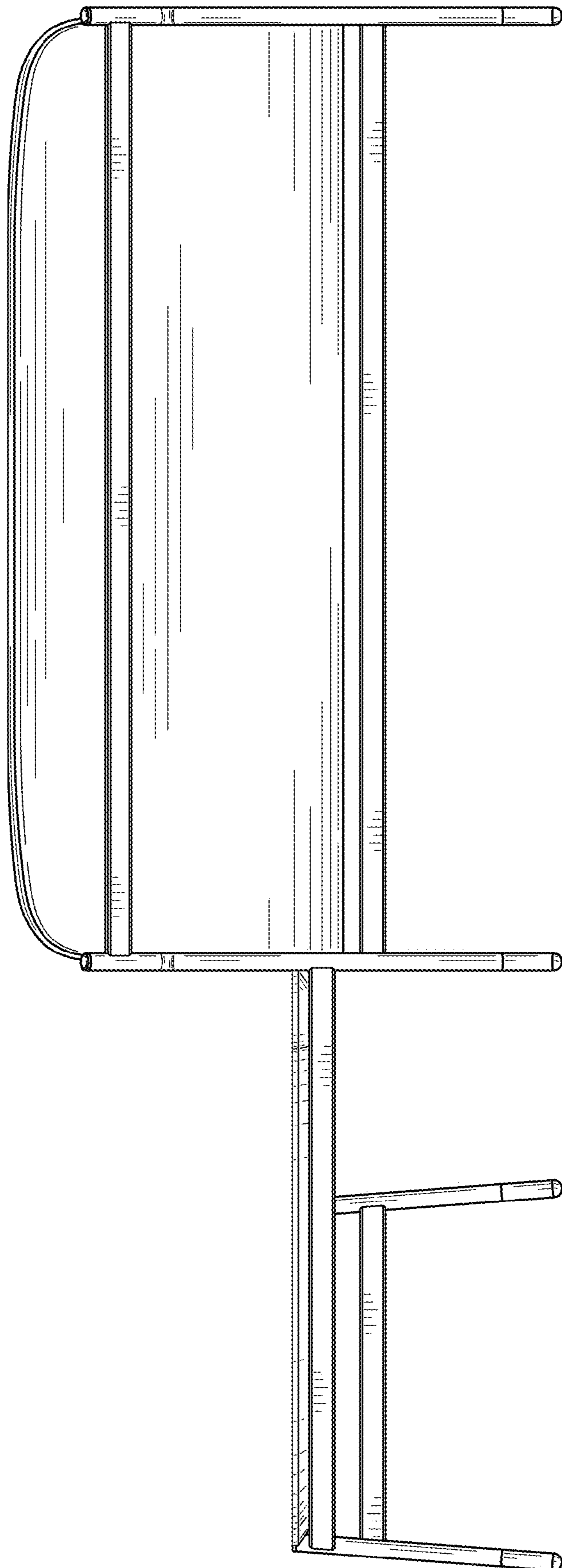


FIG. 3

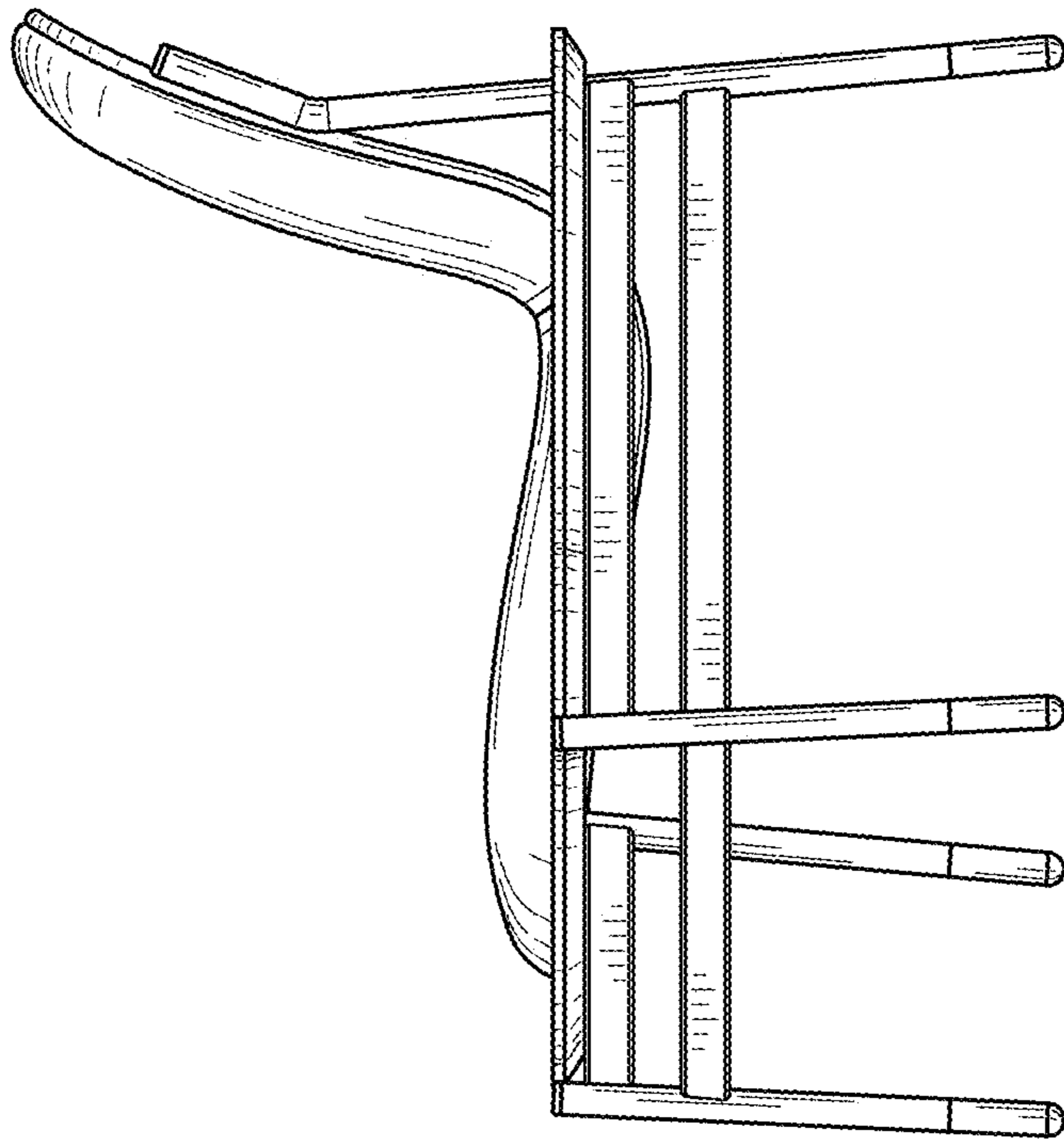


FIG. 4

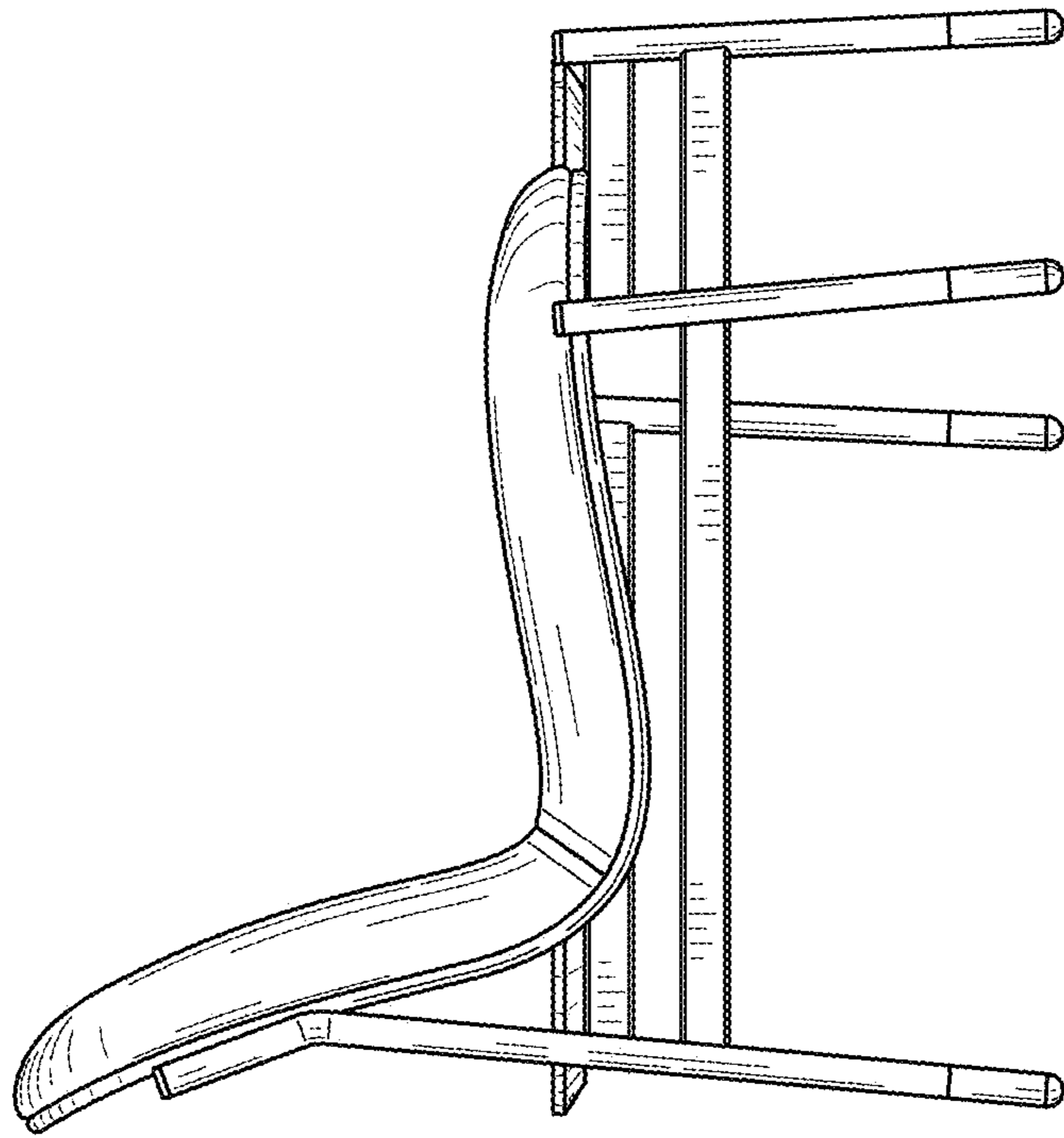


FIG. 5

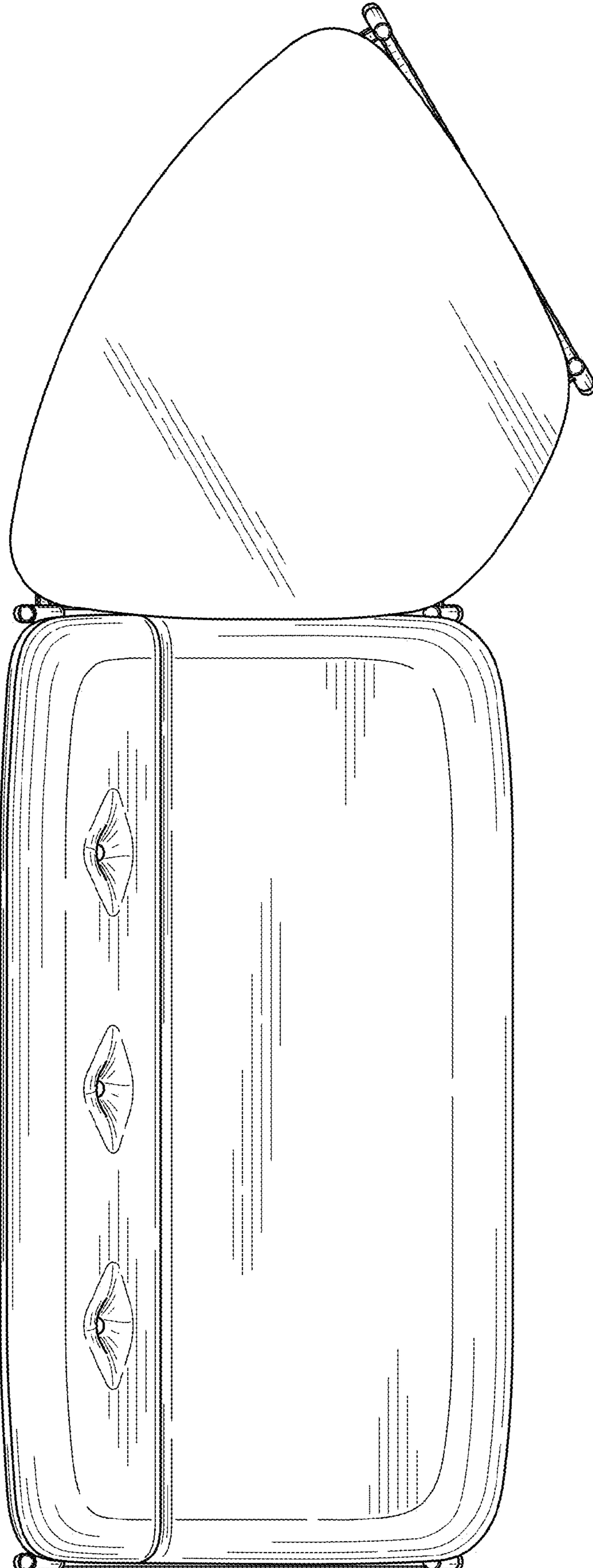


FIG. 6

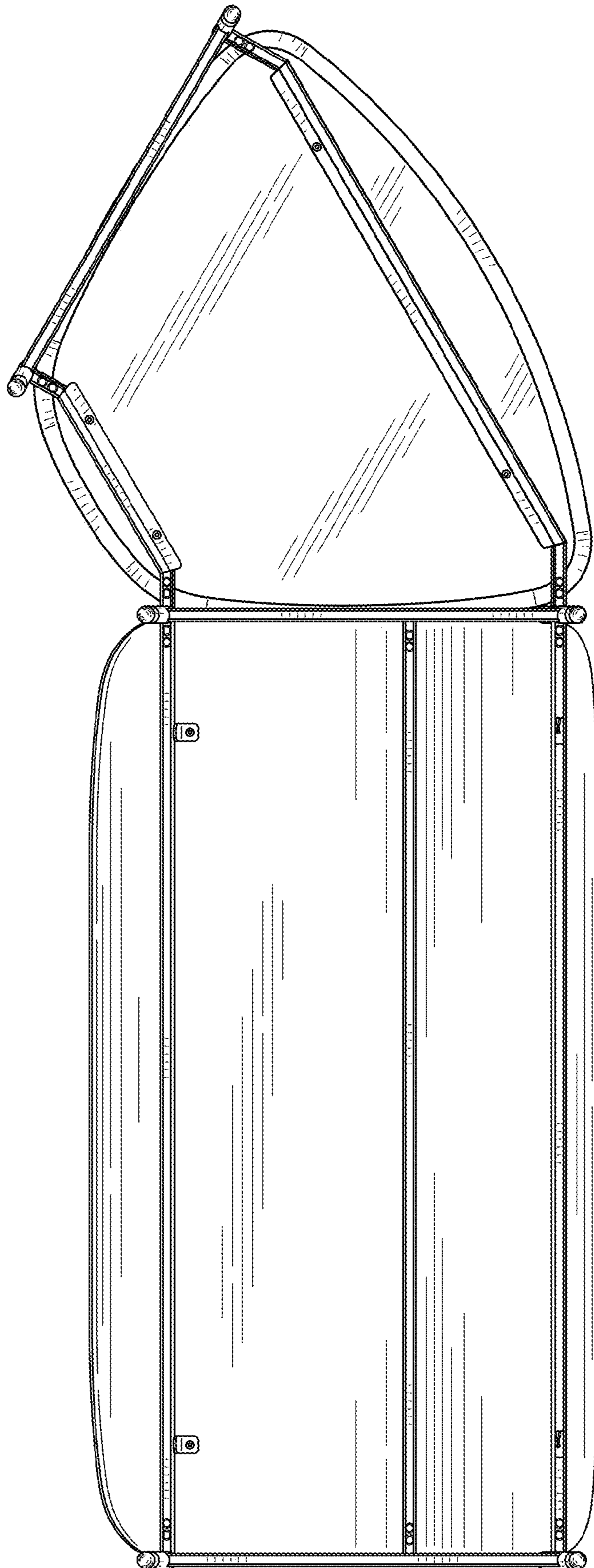


FIG. 7

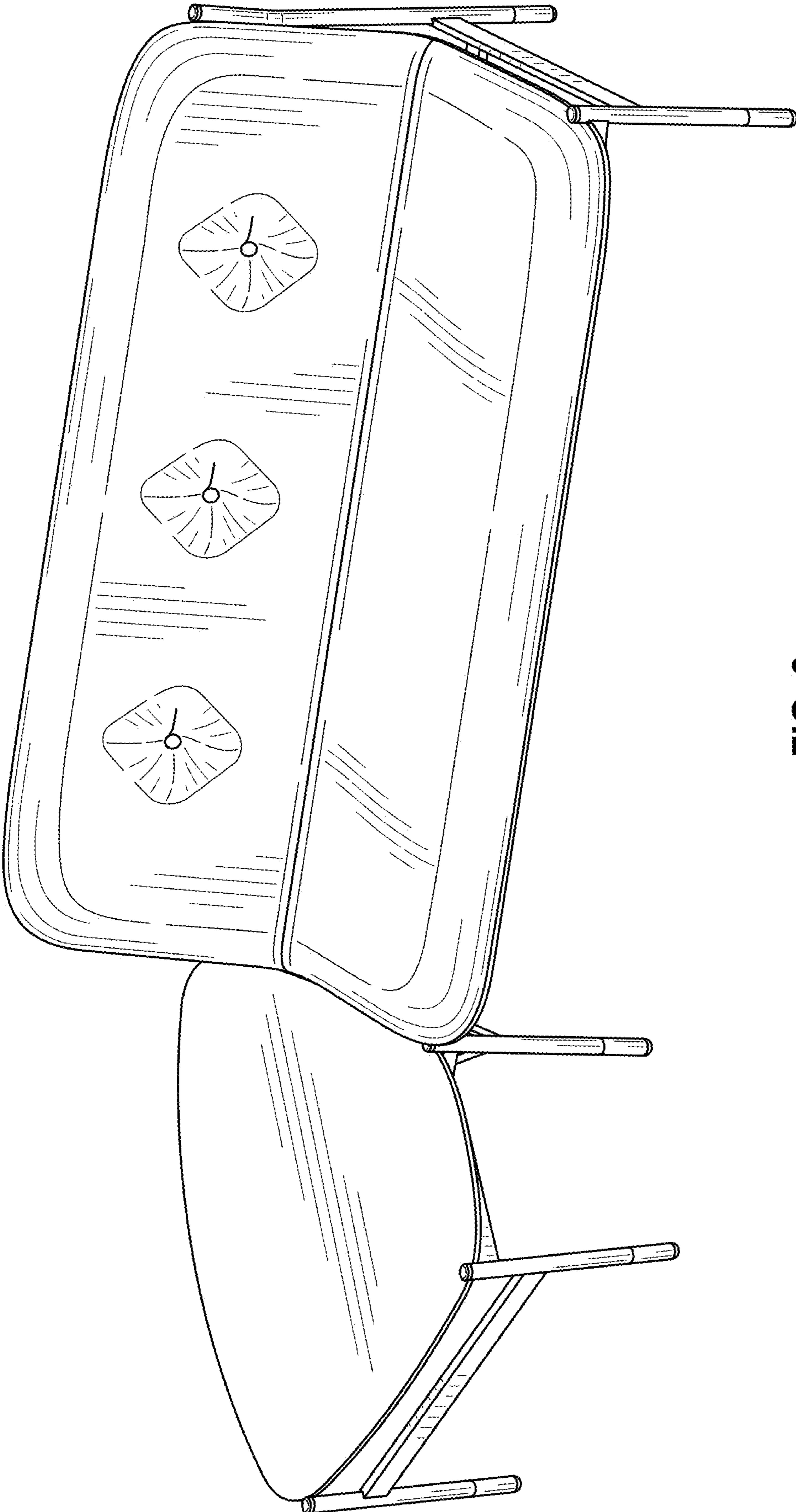


FIG. 8

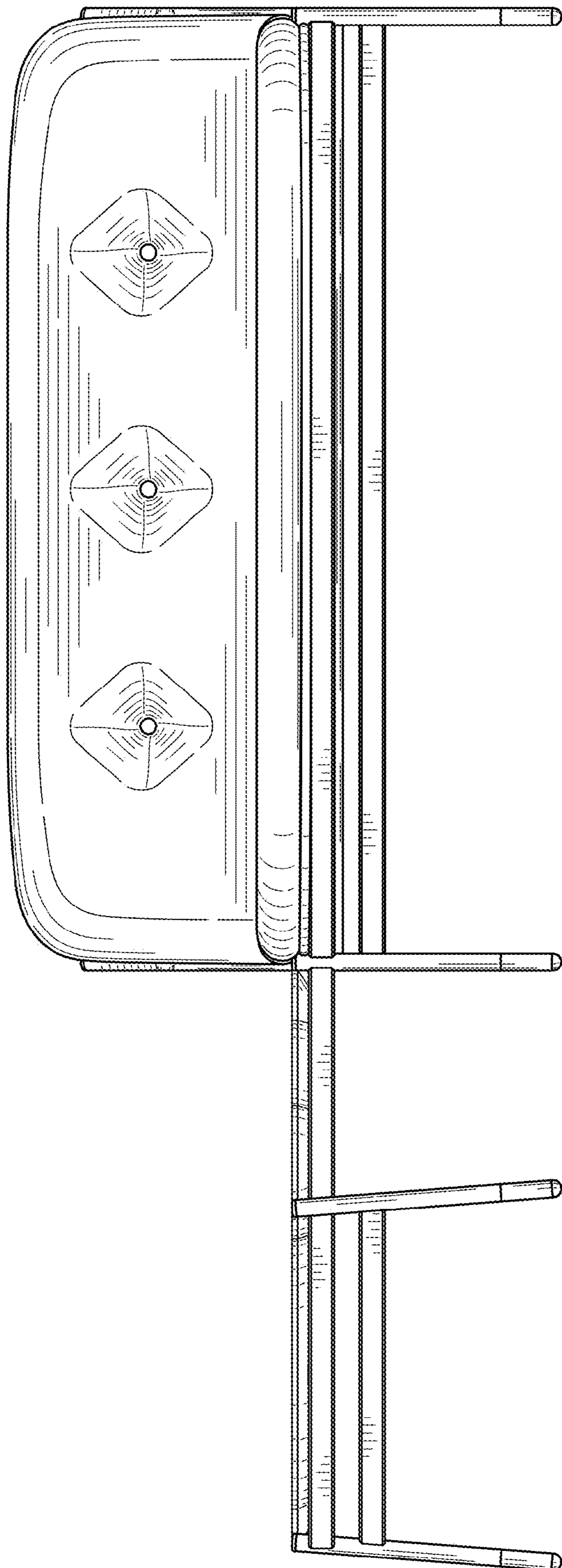


FIG. 9

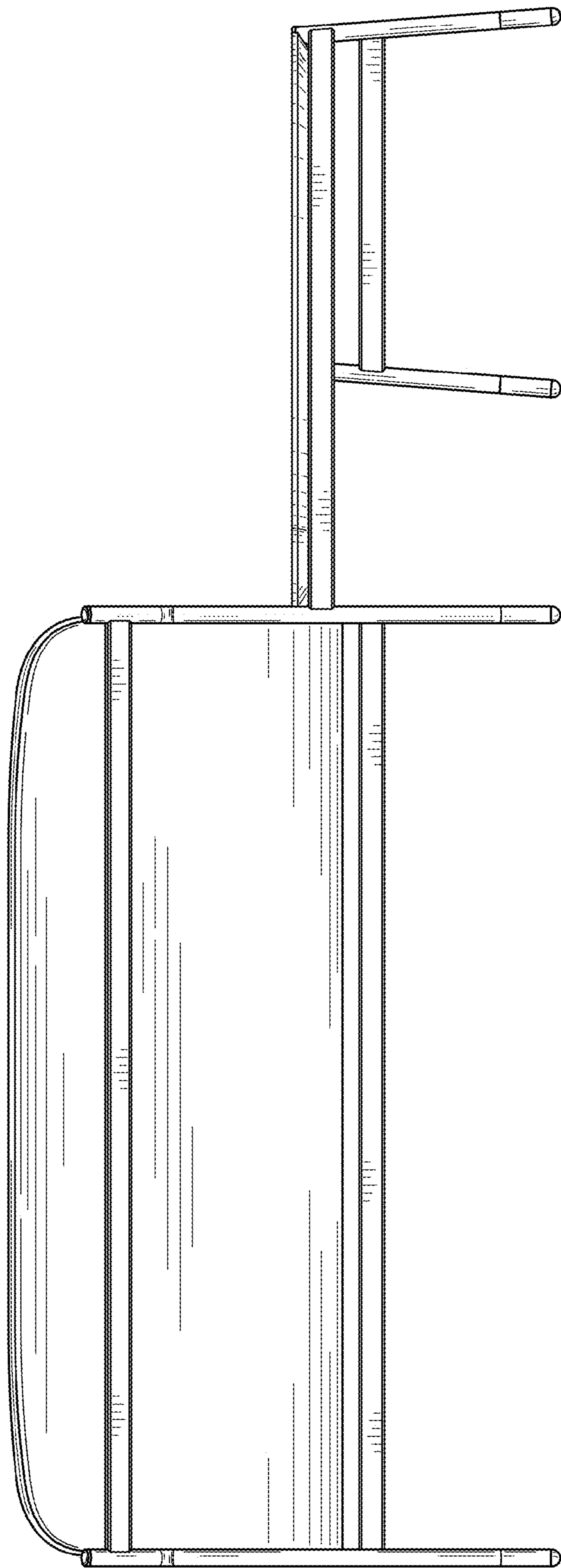


FIG. 10

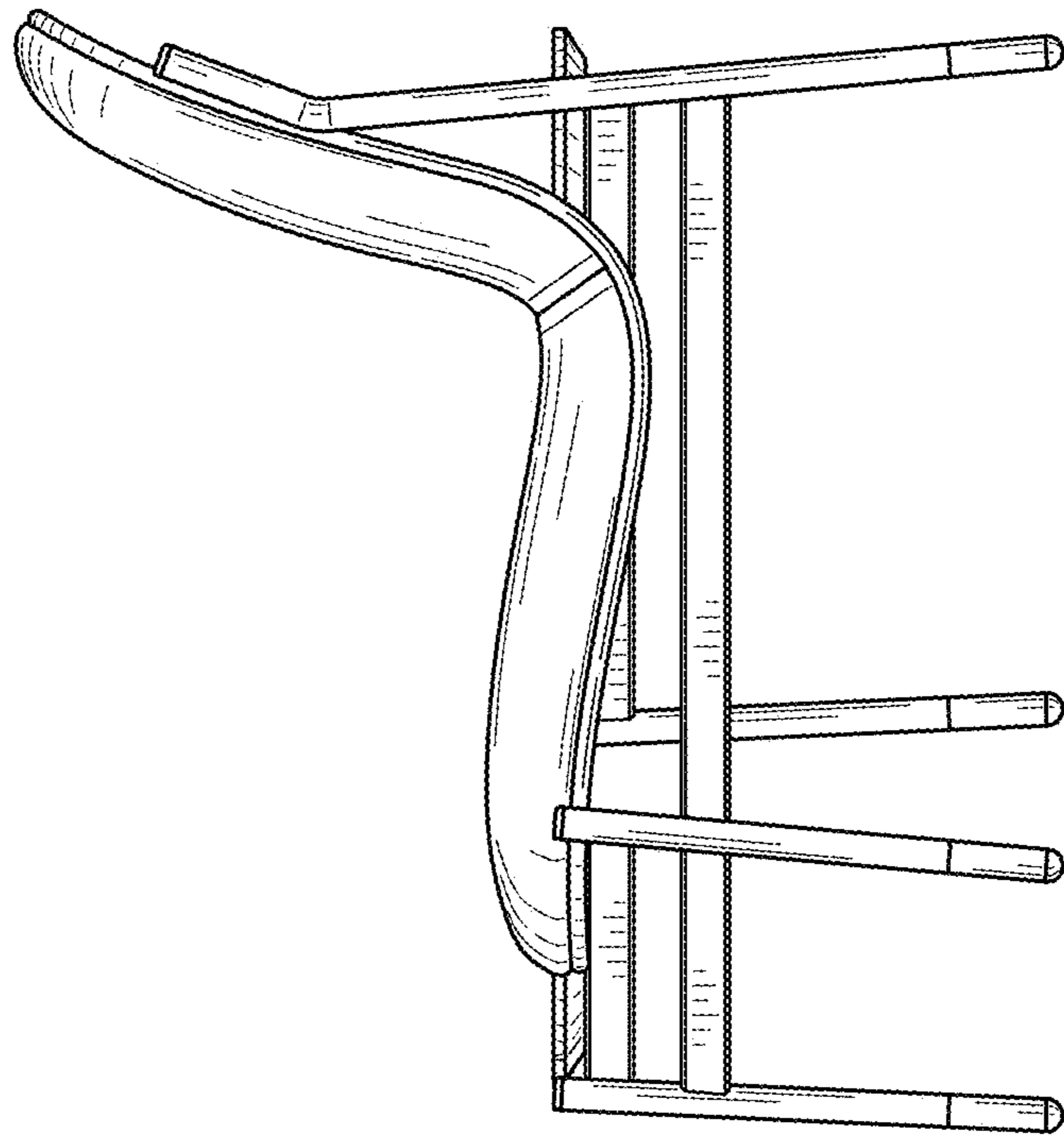


FIG. 11

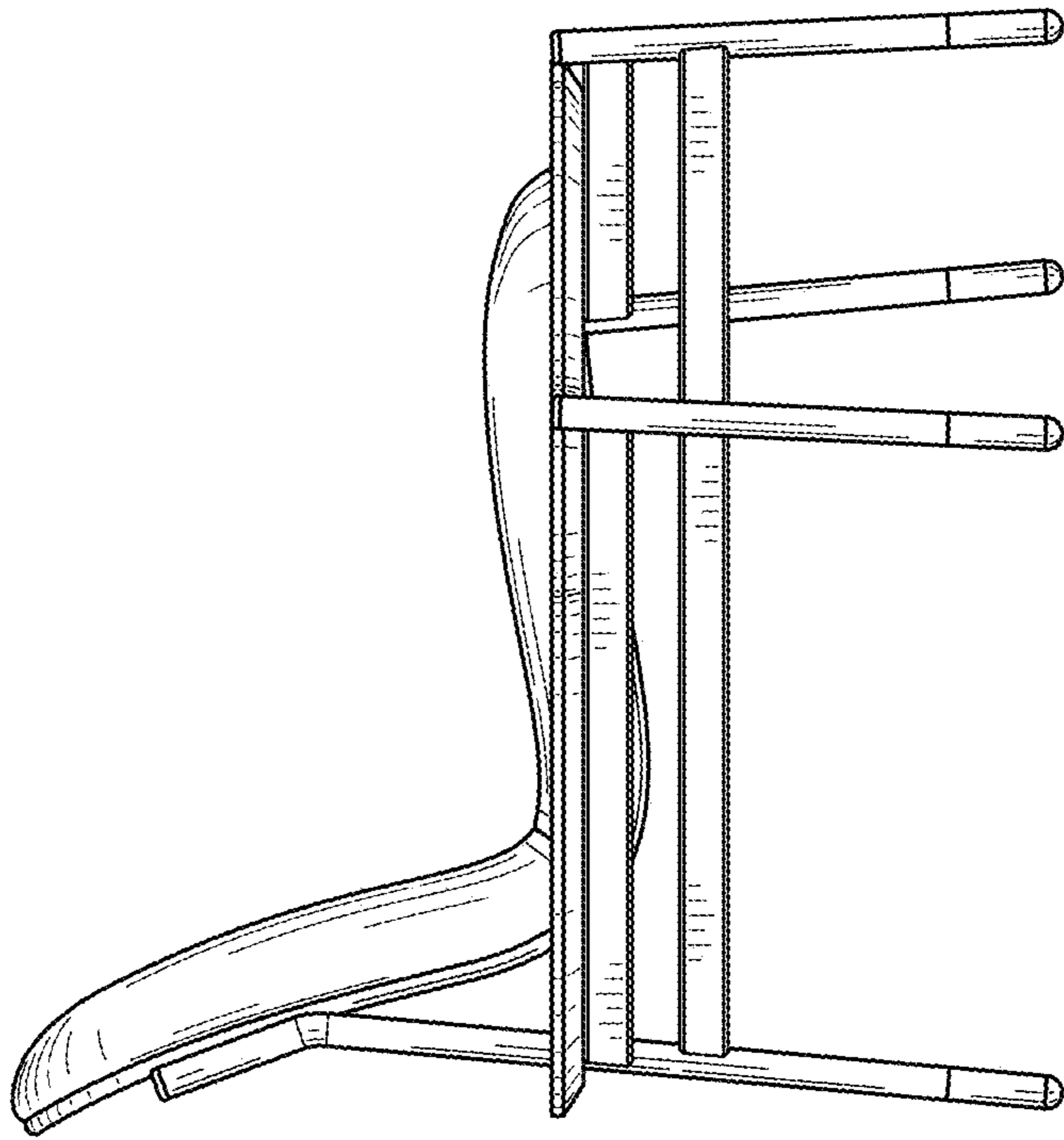


FIG. 12

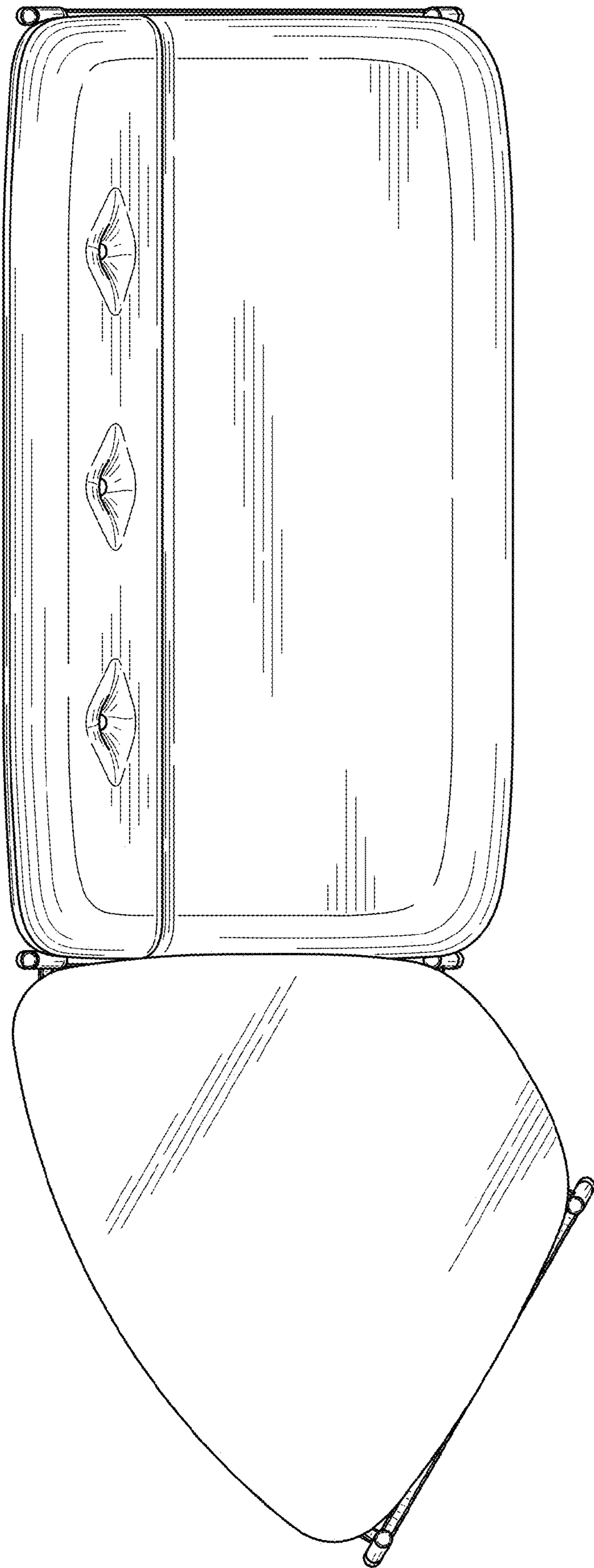


FIG. 13

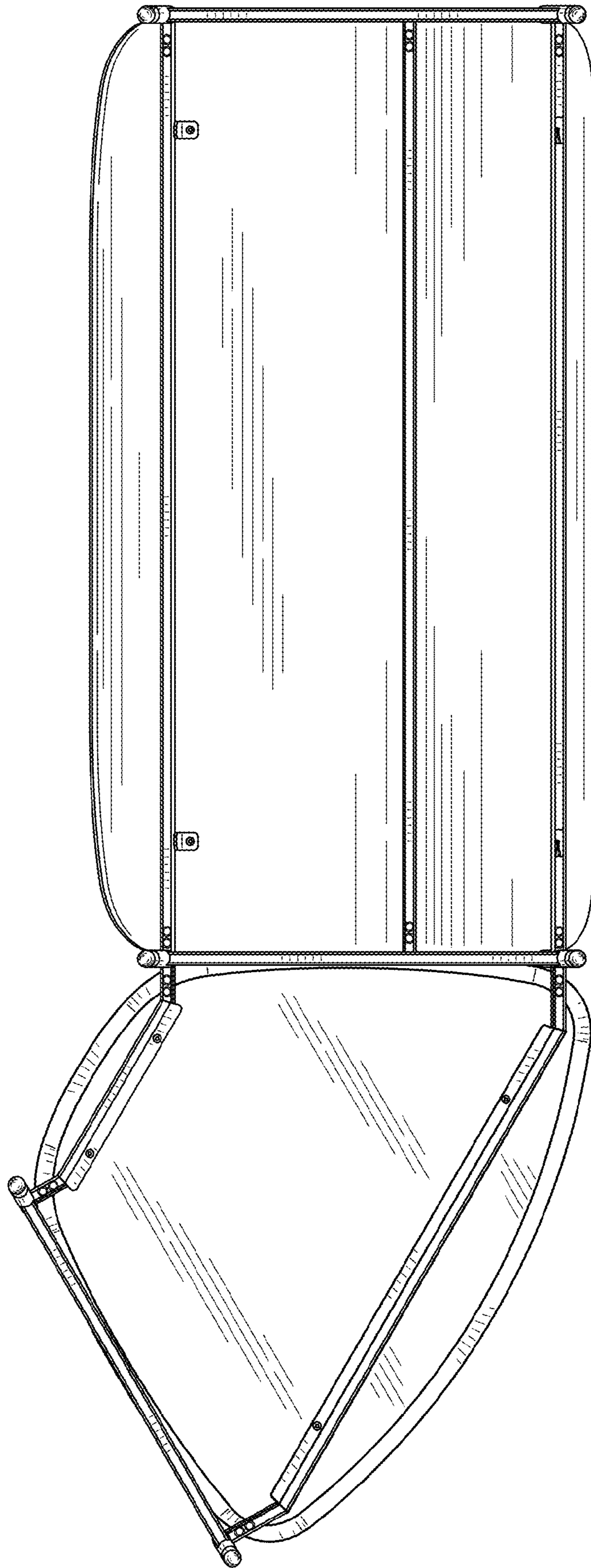


FIG. 14

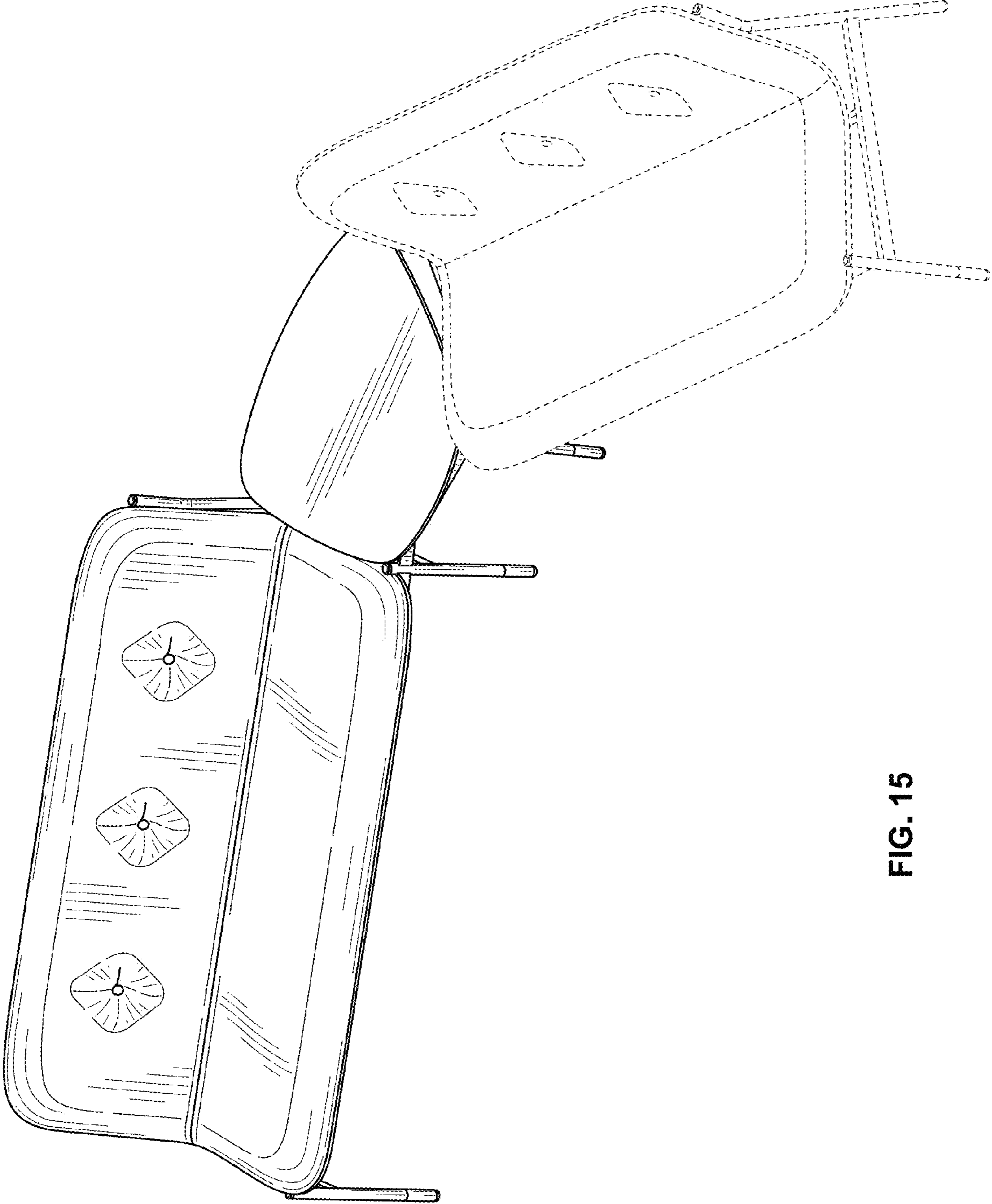


FIG. 15

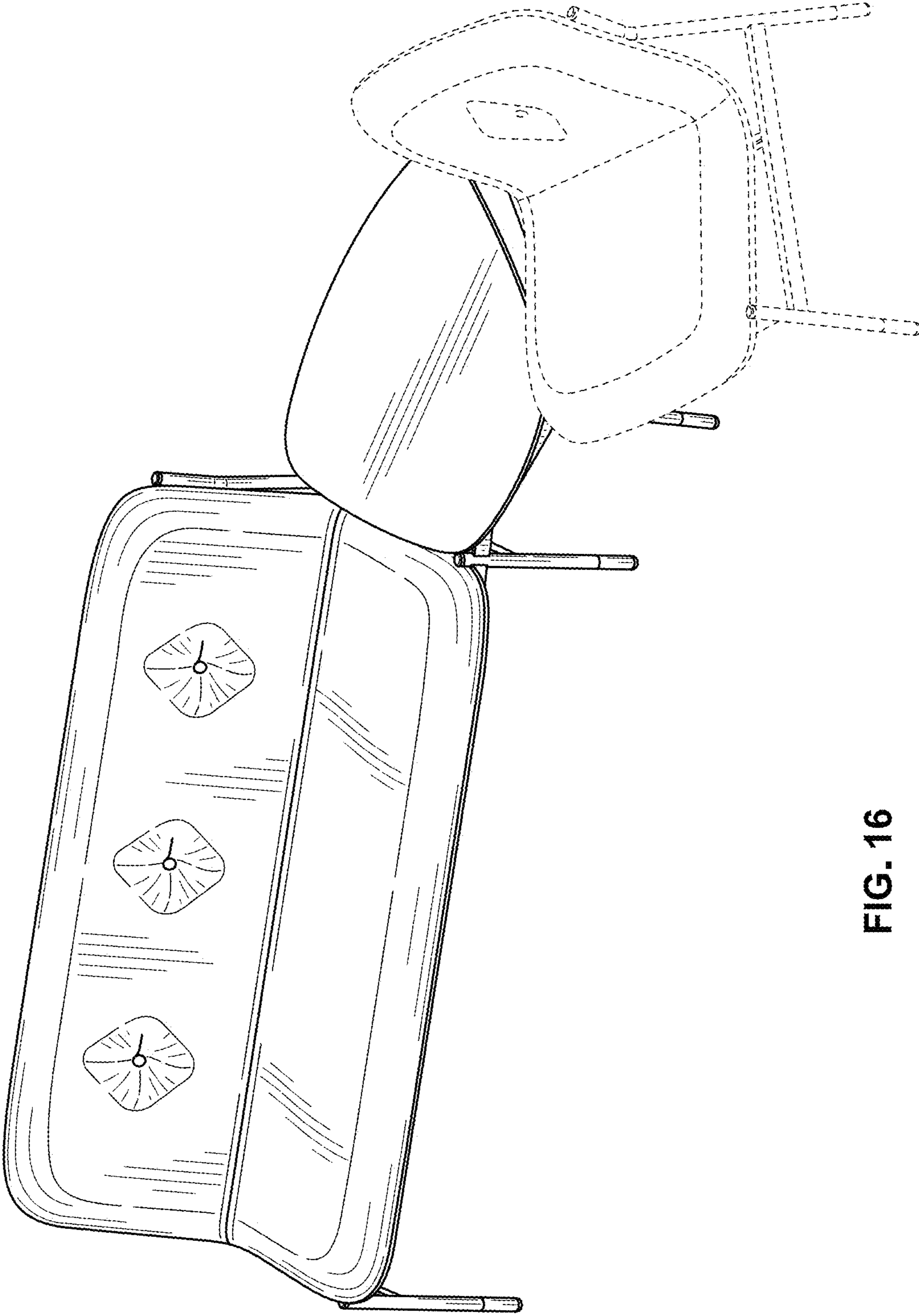


FIG. 16