



US00D886474S

(12) **United States Design Patent**
Jeffery et al.

(10) **Patent No.:** **US D886,474 S**
(45) **Date of Patent:** **** Jun. 9, 2020**

(54) **CHAIR**

(71) Applicant: **Grand Rapids Chair Company**, Grand Rapids, MI (US)

(72) Inventors: **Dean Jeffery**, Grand Rapids, MI (US);
Timothy Stoepker, Grand Rapids, MI (US)

(73) Assignee: **Grand Rapids Chair Company**, Grand Rapids, MI (US)

(**) Term: **15 Years**

(21) Appl. No.: **29/653,457**

(22) Filed: **Jun. 15, 2018**

(51) **LOC (12) Cl.** **06-01**

(52) **U.S. Cl.**
USPC **D6/334**

(58) **Field of Classification Search**
USPC D6/334, 335, 349, 353, 354, 356, 360,
D6/361, 362, 364, 365, 366, 374, 375,
D6/379, 380, 381

CPC A47C 4/02; A47C 4/04; A47C 4/52; A47C
11/00; A47C 15/002; A47C 1/00; A47C
1/03; A47C 7/002

See application file for complete search history.

(56) **References Cited**

U.S. PATENT DOCUMENTS

385,119 A	6/1888	Johns
749,709 A	1/1904	Stockwell
D102,030 S	11/1936	Hoffmann
D103,408 S	3/1937	Reischmann
D193,657 S	9/1962	Van Buren
D197,643 S	3/1964	Kramer
D202,549 S	10/1965	Kramer
D202,550 S	10/1965	Kramer
D223,244 S	4/1972	Prashker
D239,988 S	5/1976	Dittert

D240,780 S	8/1976	Dittert
4,032,190 A	6/1977	Muller-Deisig et al.
D255,183 S	6/1980	Locher
D255,293 S	6/1980	Locher
D259,078 S	5/1981	Deconinck

(Continued)

OTHER PUBLICATIONS

Commonly assigned U.S. Appl. No. 29/595,795, filed Mar. 2, 2017, entitled CHAIR.

Primary Examiner — Karen S Acker

(74) *Attorney, Agent, or Firm* — Gardner, Linn, Burkhardt & Ondersma LLP

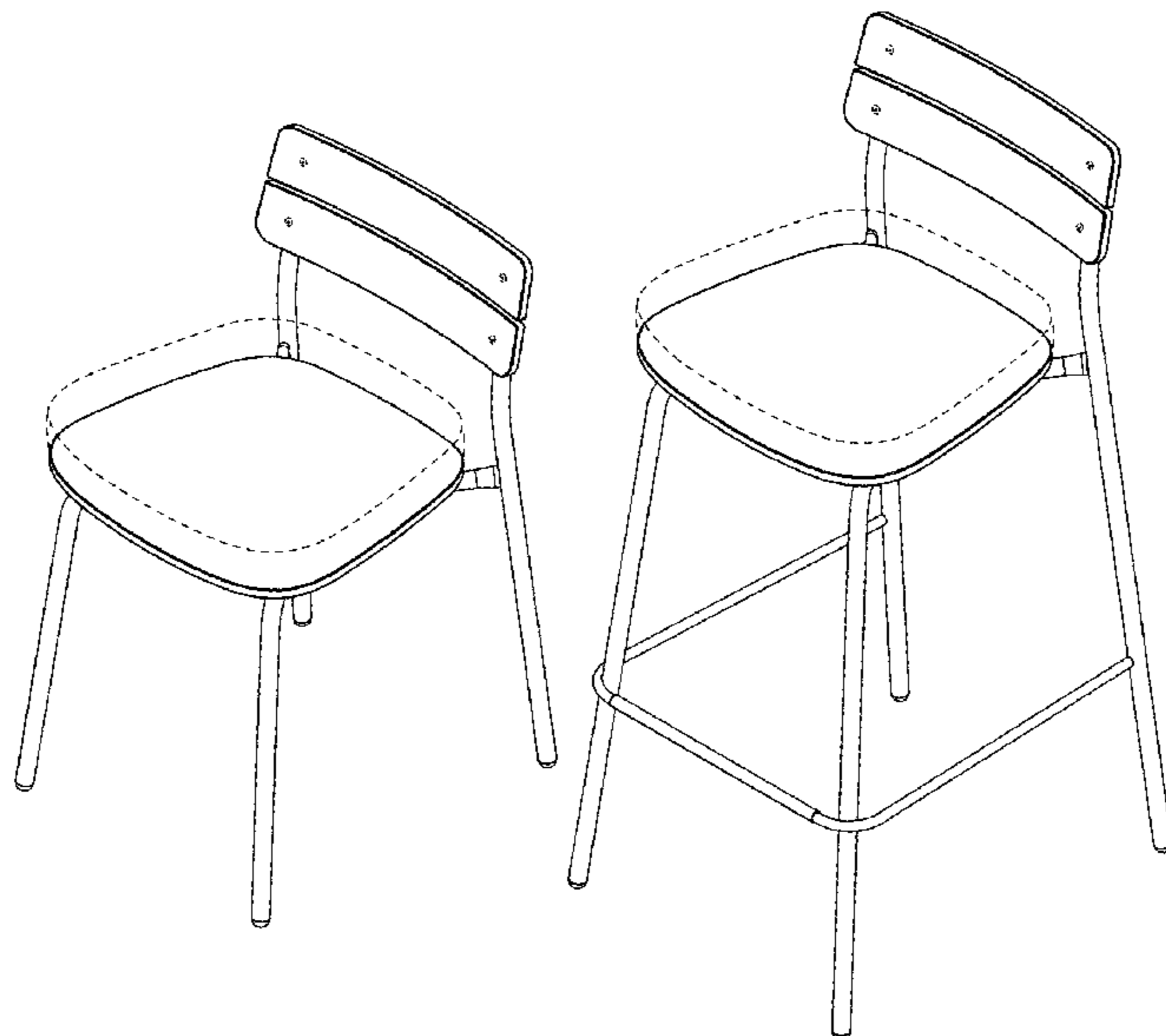
(57) **CLAIM**

The ornamental design for a chair, substantially as shown and described.

DESCRIPTION

FIG. 1 is a perspective view of a chair according to a first embodiment of the present invention;
 FIG. 2 is a front elevation view of the chair in FIG. 1;
 FIG. 3 is a right-side elevation view of the chair in FIG. 1;
 FIG. 4 is a rear elevation view of the chair in FIG. 1;
 FIG. 5 is a left-side elevation view of the chair in FIG. 1;
 FIG. 6 is a top plan view of the chair in FIG. 1;
 FIG. 7 is a bottom plan view of the chair in FIG. 1;
 FIG. 8 is a perspective view of a chair according to a second embodiment of the present invention;
 FIG. 9 is a front elevation view of the chair in FIG. 8;
 FIG. 10 is a right-side elevation view of the chair in FIG. 8;
 FIG. 11 is a rear elevation view of the chair in FIG. 8;
 FIG. 12 is a left-side elevation view of the chair in FIG. 8;
 FIG. 13 is a top plan view of the chair in FIG. 8; and,
 FIG. 14 is a bottom plan view of the chair in FIG. 8.
 The broken lines in the drawings depict environmental subject matter that forms no part of the claimed design.

1 Claim, 8 Drawing Sheets



(56)

References Cited

U.S. PATENT DOCUMENTS

D268,799 S	5/1983	Feldberg		D609,036 S	2/2010	Miller et al.	
D272,393 S	1/1984	Klier		D611,740 S	3/2010	Koh	
D279,155 S	6/1985	Aronowitz et al.		D643,652 S	8/2011	Piretti	
D288,871 S *	3/1987	Hubert	D6/368	D644,849 S	9/2011	Sienkowski et al.	
D291,161 S *	8/1987	Hubert	A47C 4/10 D6/370	D646,087 S	10/2011	Miller et al.	
D307,221 S	4/1990	Mudge		D648,566 S	11/2011	Sienkowski et al.	
D339,940 S	10/1993	Balderi et al.		8,112,868 B2	2/2012	Miller	
D346,911 S	5/1994	Lucci et al.		D659,424 S	5/2012	Gramza et al.	
D357,592 S	4/1995	Kellen		D659,444 S	5/2012	James	
D372,132 S	7/1996	Infanti		D663,131 S	7/2012	Barefoot et al.	
D375,848 S	11/1996	Grosfillex		D665,188 S	8/2012	Schweikarth	
D381,828 S	8/1997	Kemnitzer		D672,975 S	12/2012	Rashid	
D396,759 S	8/1998	Duenkelsbuehler		D683,558 S	6/2013	Rada et al.	
D399,667 S *	10/1998	Muller	D6/370	D686,836 S	7/2013	Mascetti et al.	
D422,806 S	4/2000	Neil		D691,385 S *	10/2013	Gan	A47C 7/54 D6/370
D443,993 S *	6/2001	Kelley	D6/370	D701,719 S	4/2014	Haase et al.	
D457,340 S *	5/2002	Muller	D6/370	8,721,002 B2 *	5/2014	Smith	A47C 7/54 297/239
D474,904 S *	5/2003	Ciabatti	D6/370	D707,461 S	6/2014	Rada et al.	
D479,774 S *	9/2003	Wimberger	D6/370	D723,826 S	3/2015	Kaloustian et al.	
D512,236 S	12/2005	Preisig		D726,434 S	4/2015	Ye	
D512,238 S	12/2005	Chen		D737,618 S	9/2015	Kaloustian et al.	
D513,889 S	1/2006	Peterson et al.		D741,618 S	10/2015	Haase et al.	
D524,071 S	7/2006	Brooks		D747,611 S	1/2016	Haase et al.	
7,118,175 B2	10/2006	Crue		9,301,612 B2	4/2016	Kaloustian et al.	
D531,420 S	11/2006	Kita		D779,219 S	2/2017	Miller	
D544,228 S	6/2007	Bartlmae		D784,036 S	4/2017	Ruiter et al.	
D559,570 S	1/2008	Higgs et al.		D798,075 S	9/2017	Foley	
D566,979 S	4/2008	Cox et al.		D799,848 S	10/2017	Morrison	
D572,049 S	7/2008	Kerr		D817,015 S	5/2018	Jeffery et al.	
D572,928 S	7/2008	Rittfeldt et al.		D835,427 S *	12/2018	Inovero	D6/370
D582,692 S	12/2008	Kerr		D871,096 S *	12/2019	Coirier	D6/373
D588,826 S	3/2009	Ricchio		2008/0238157 A1 *	10/2008	Wright	A47C 4/10 297/59
D597,757 S	8/2009	Barbieri		2009/0212607 A1	8/2009	Kaloustian et al.	
D597,758 S	8/2009	Barrett et al.		2011/0278889 A1	11/2011	Sienkowski et al.	
				2014/0361593 A1	12/2014	Kaioustian et al.	

* cited by examiner

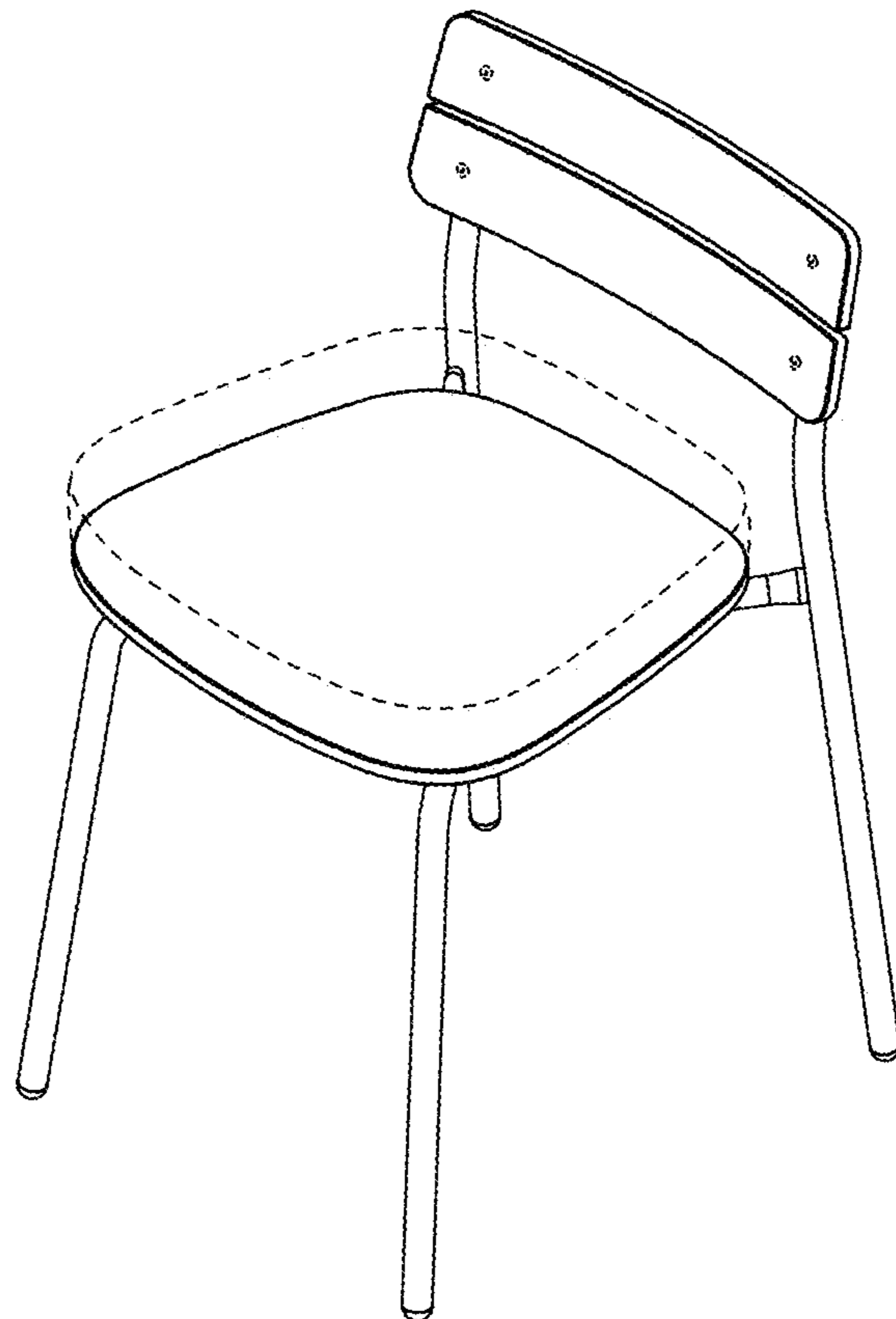


FIG. 1

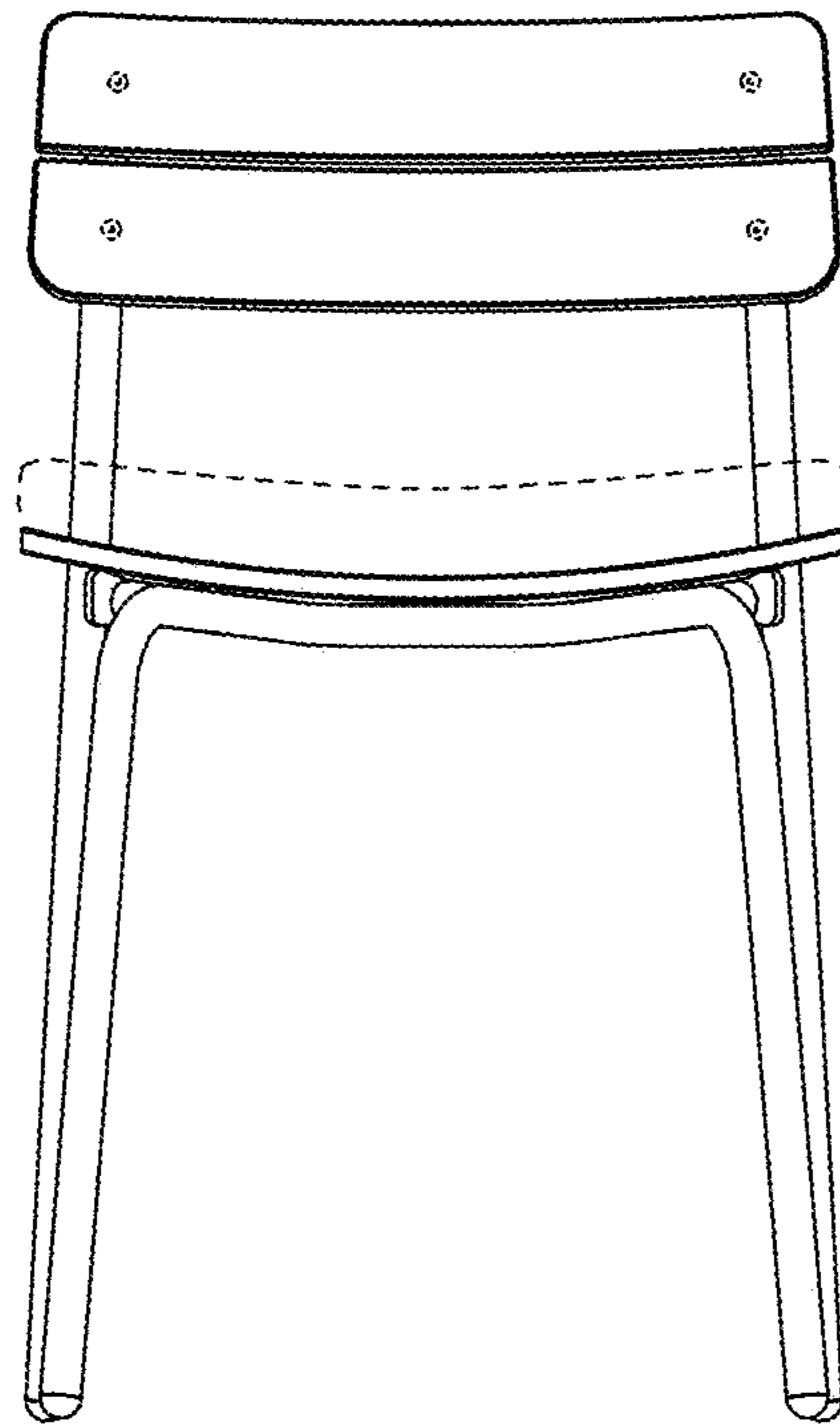


FIG. 2

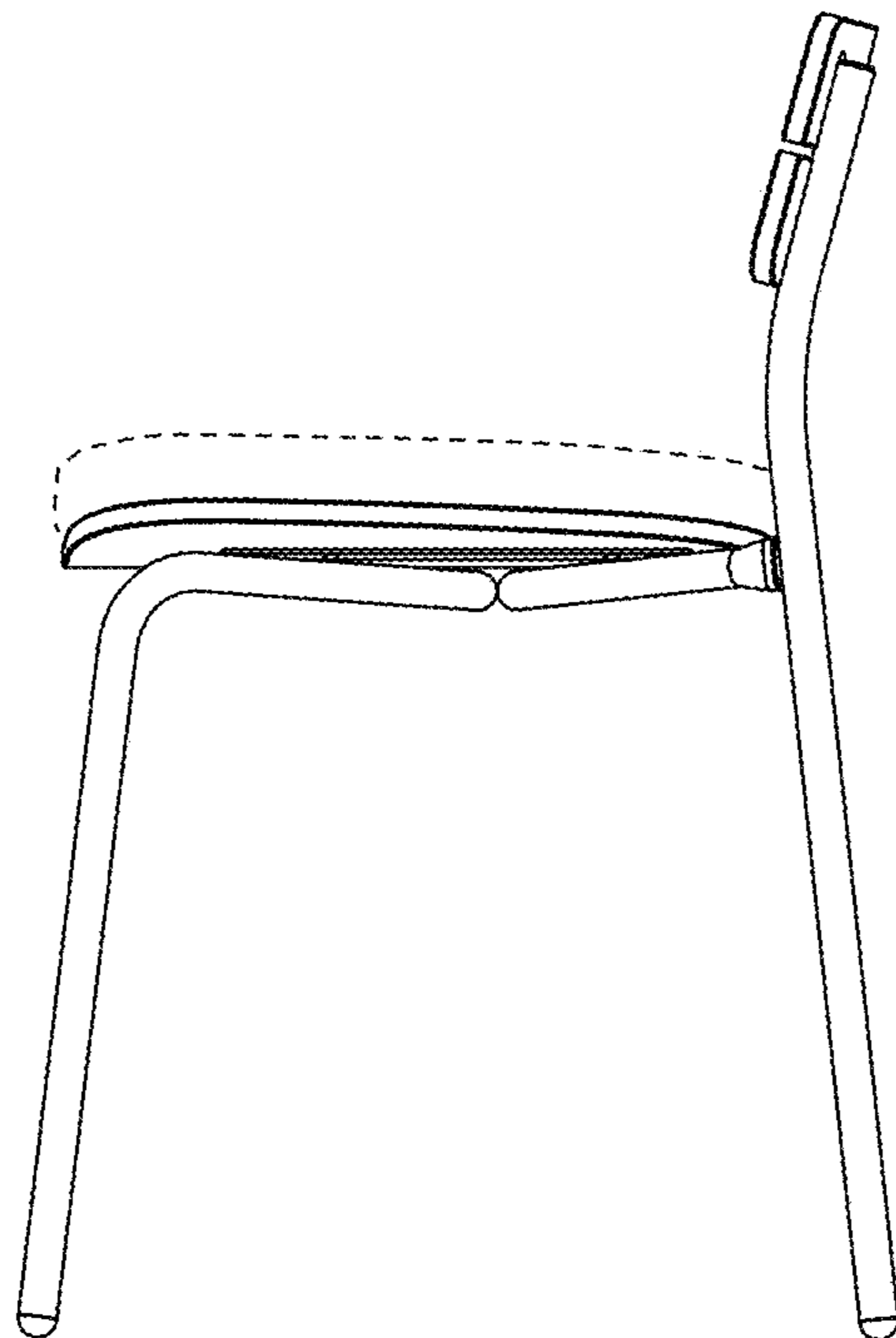


FIG. 3

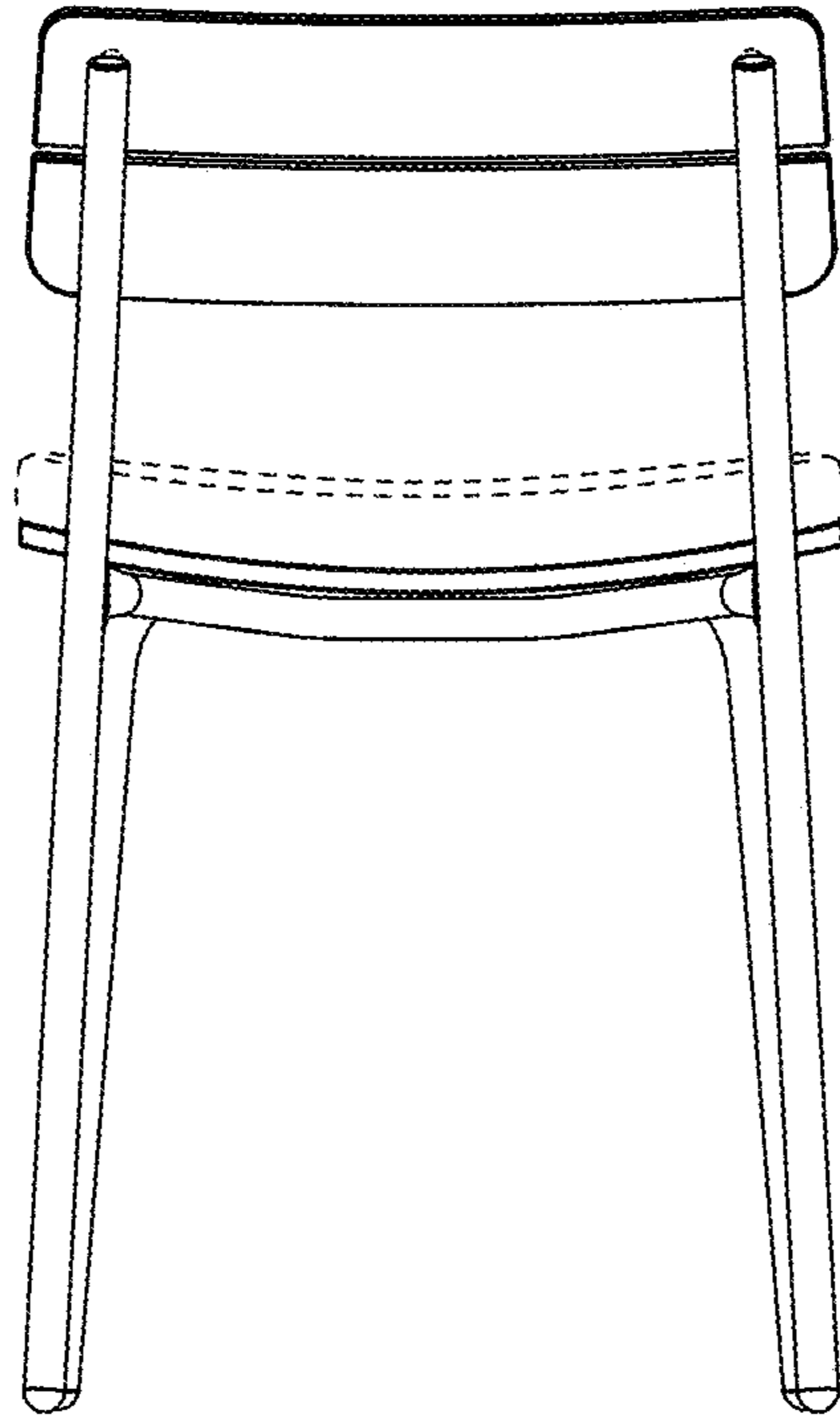


FIG. 4

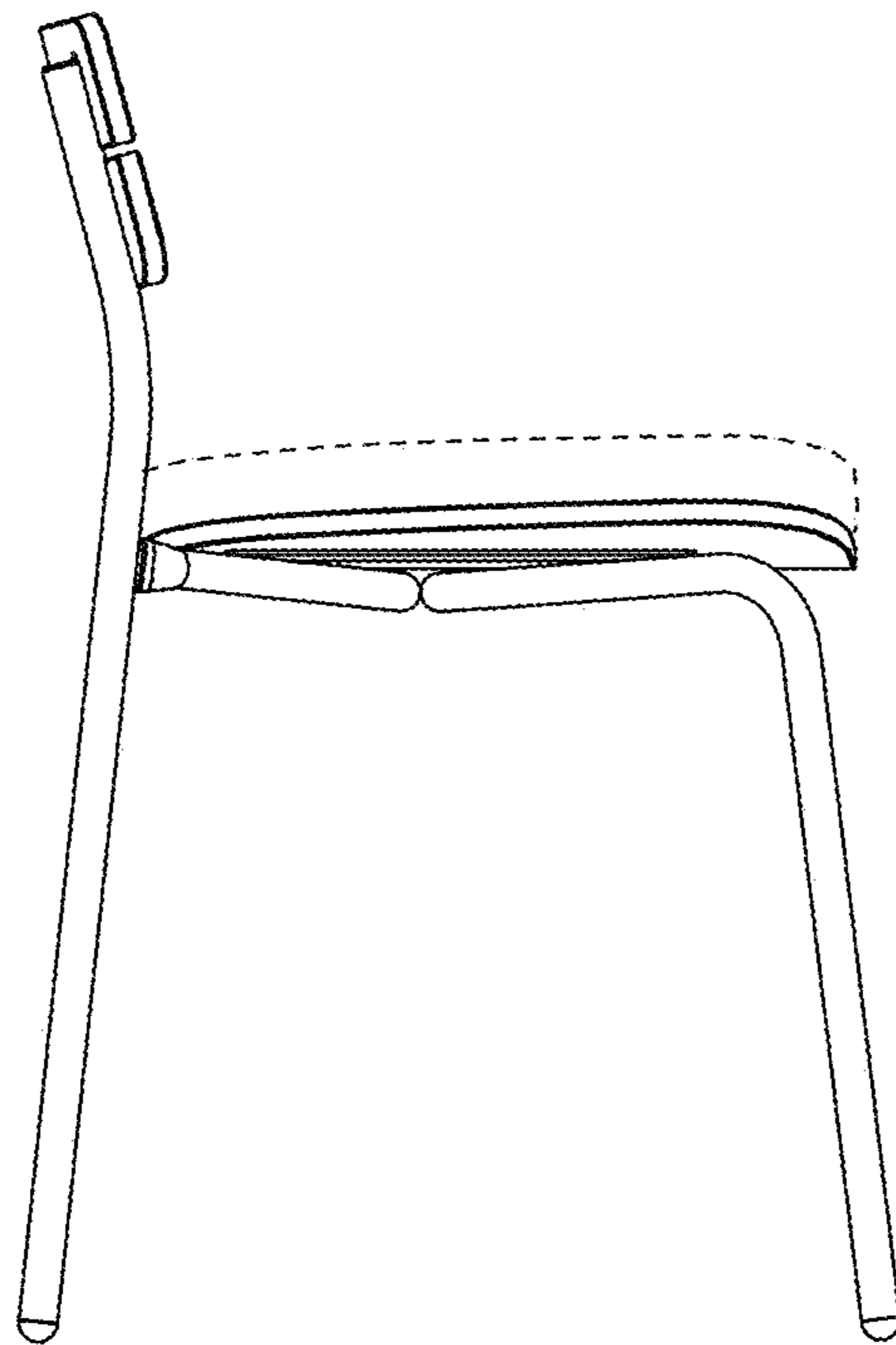


FIG. 5

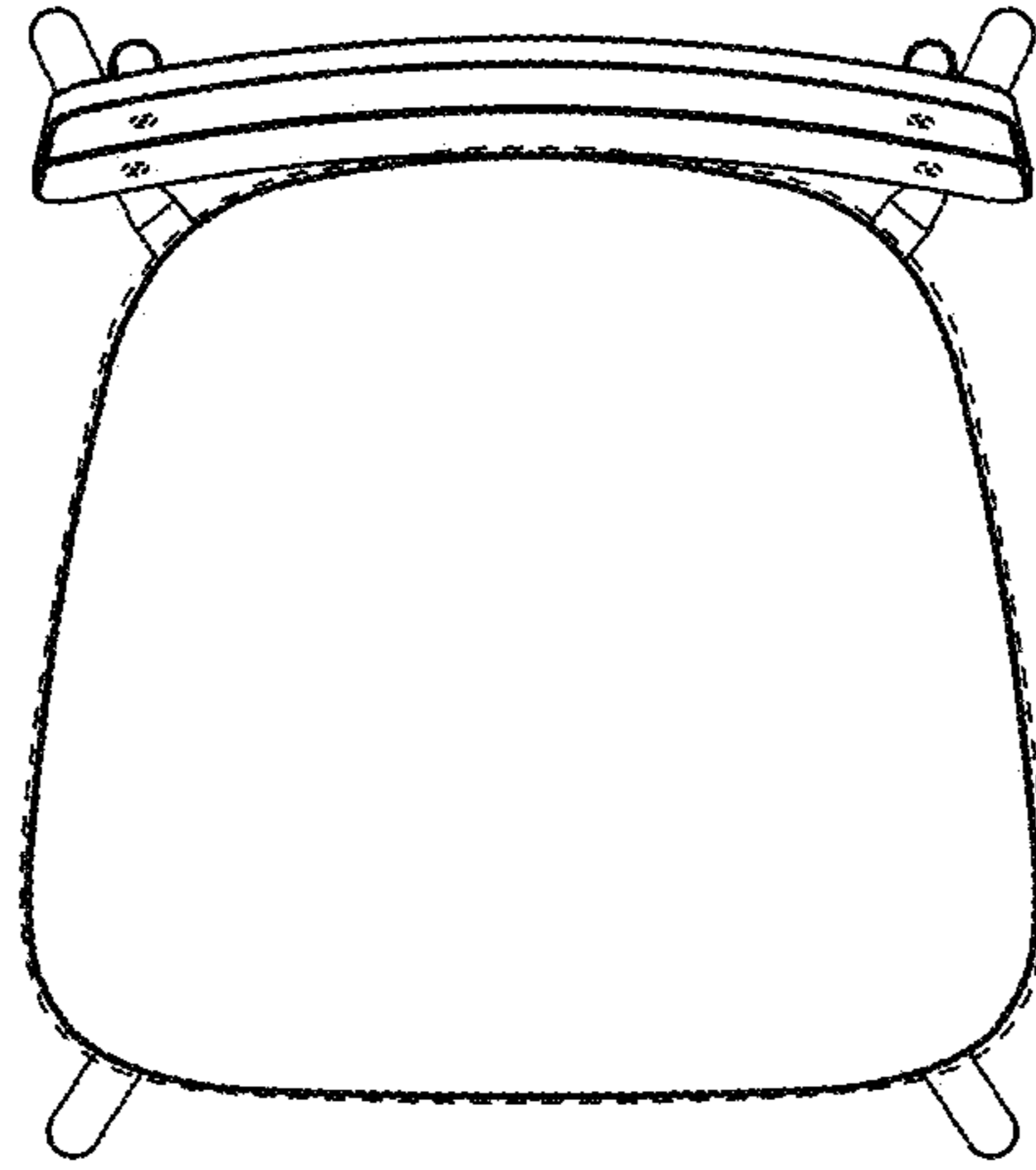


FIG. 6

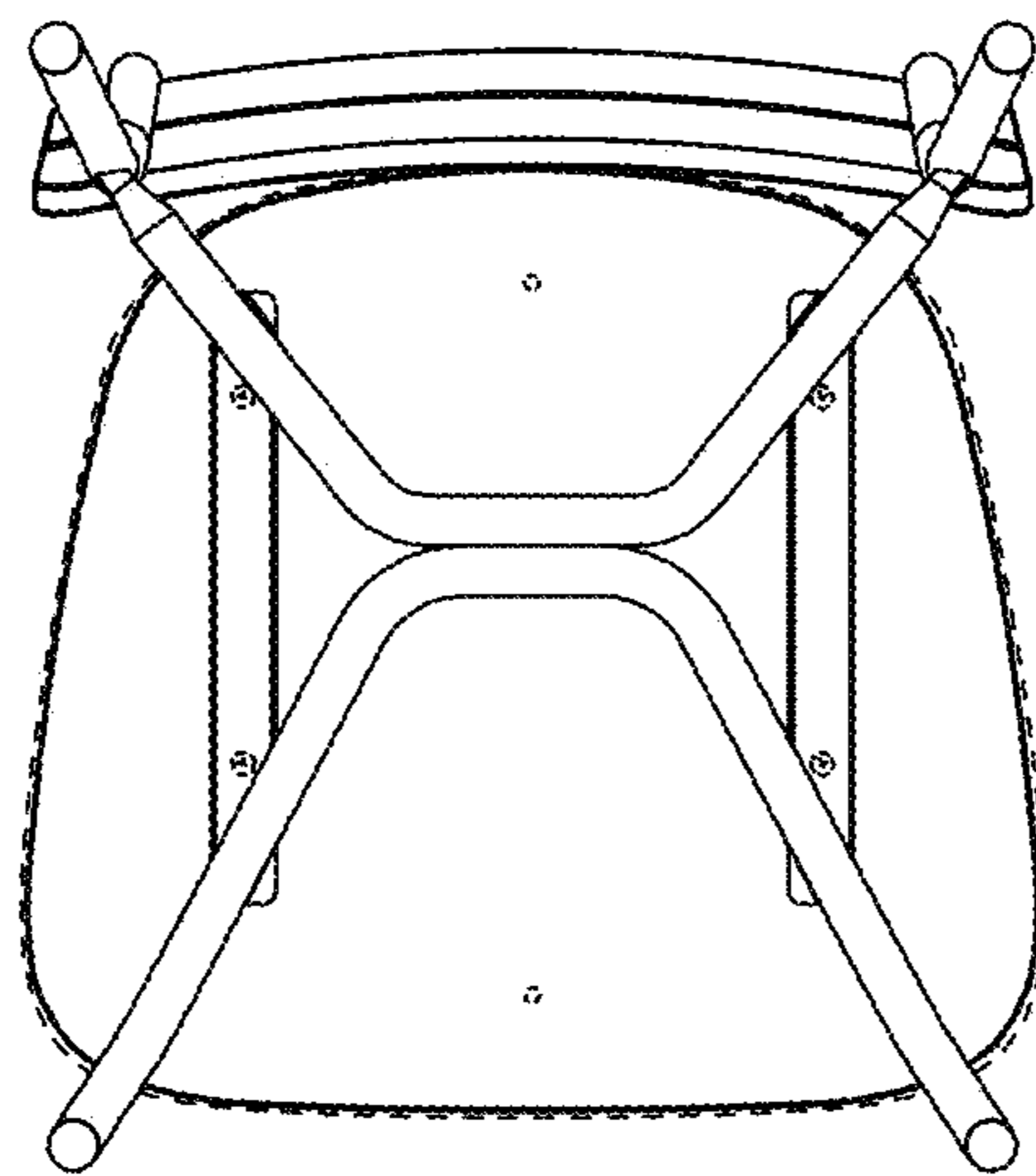


FIG. 7

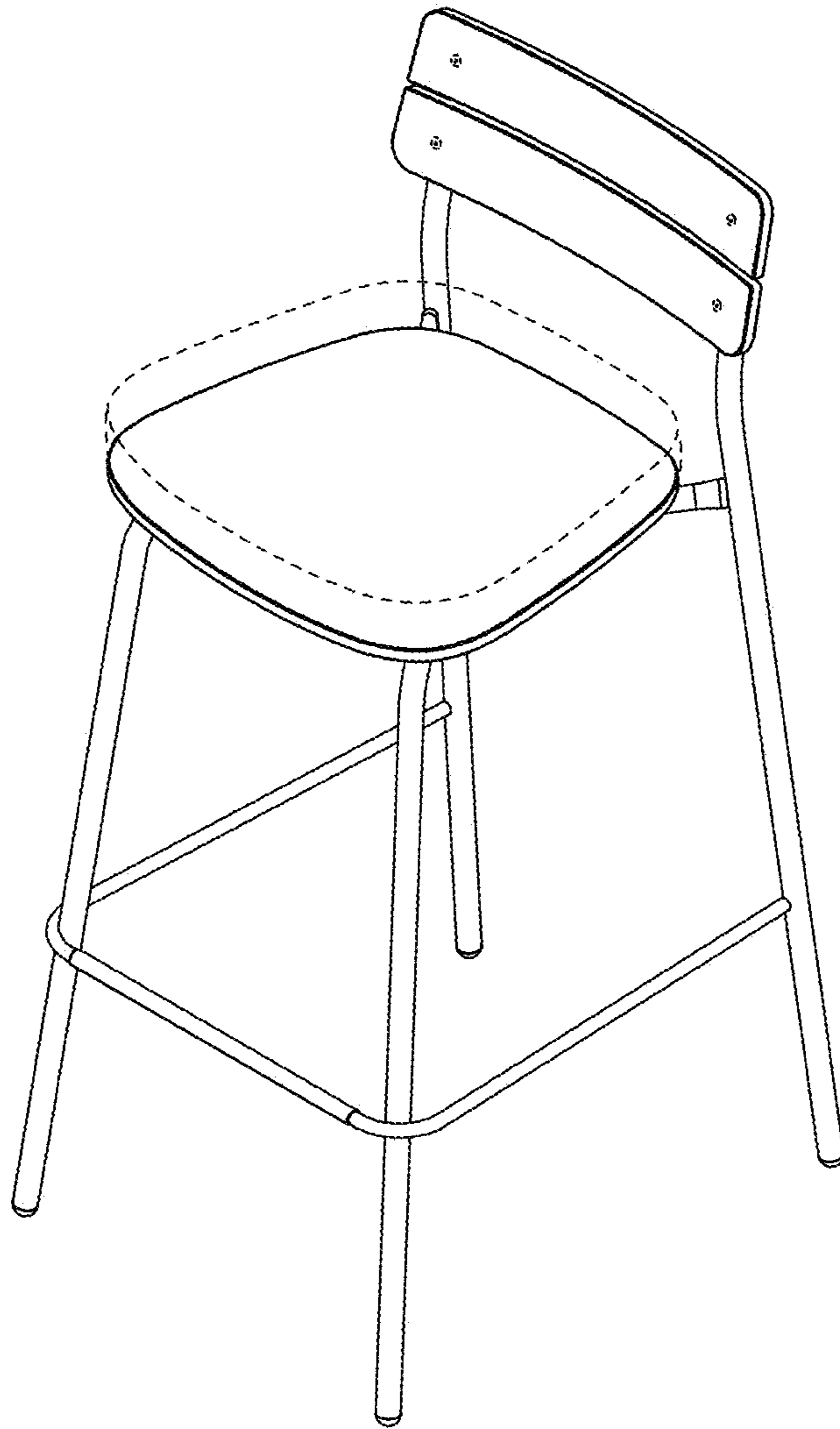


FIG. 8

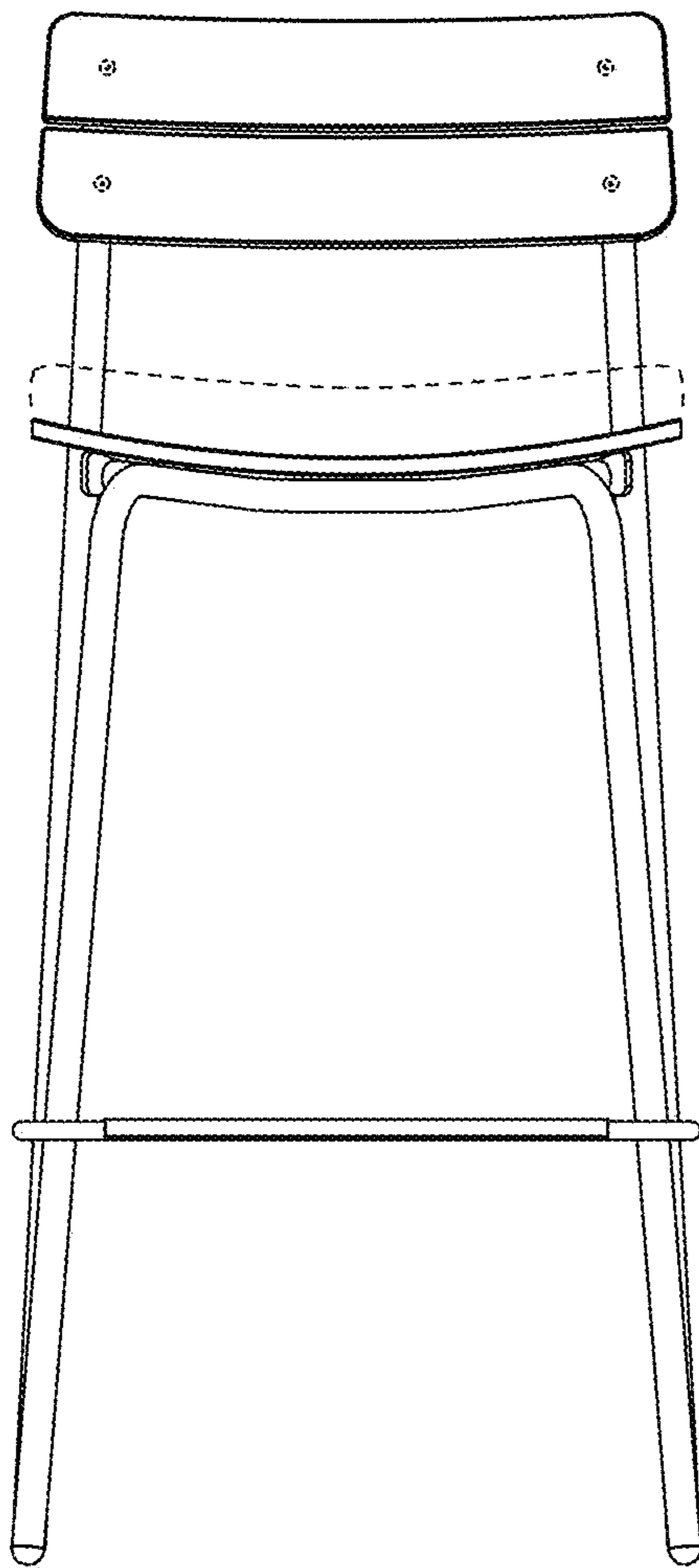


FIG. 9

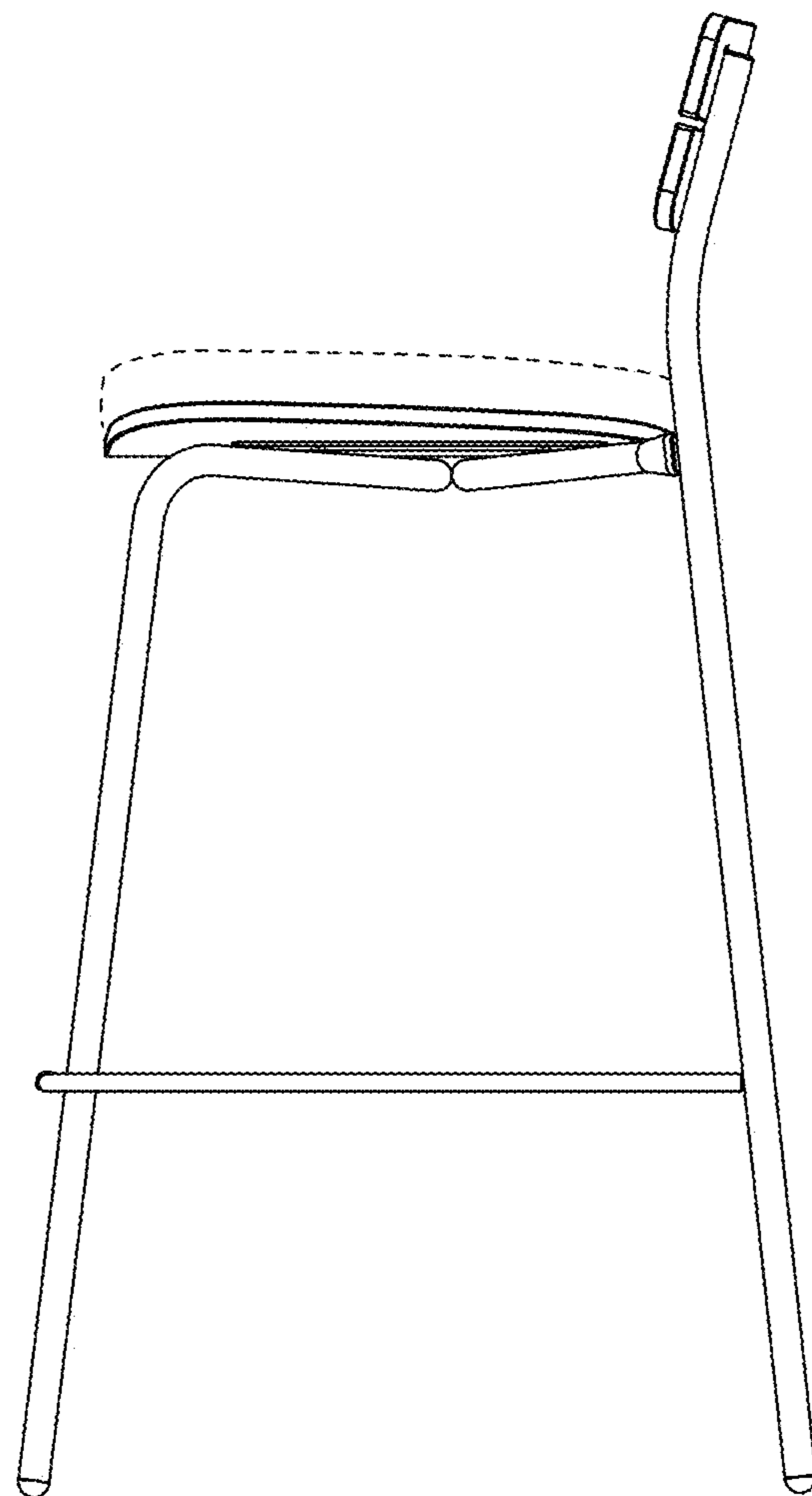


FIG. 10

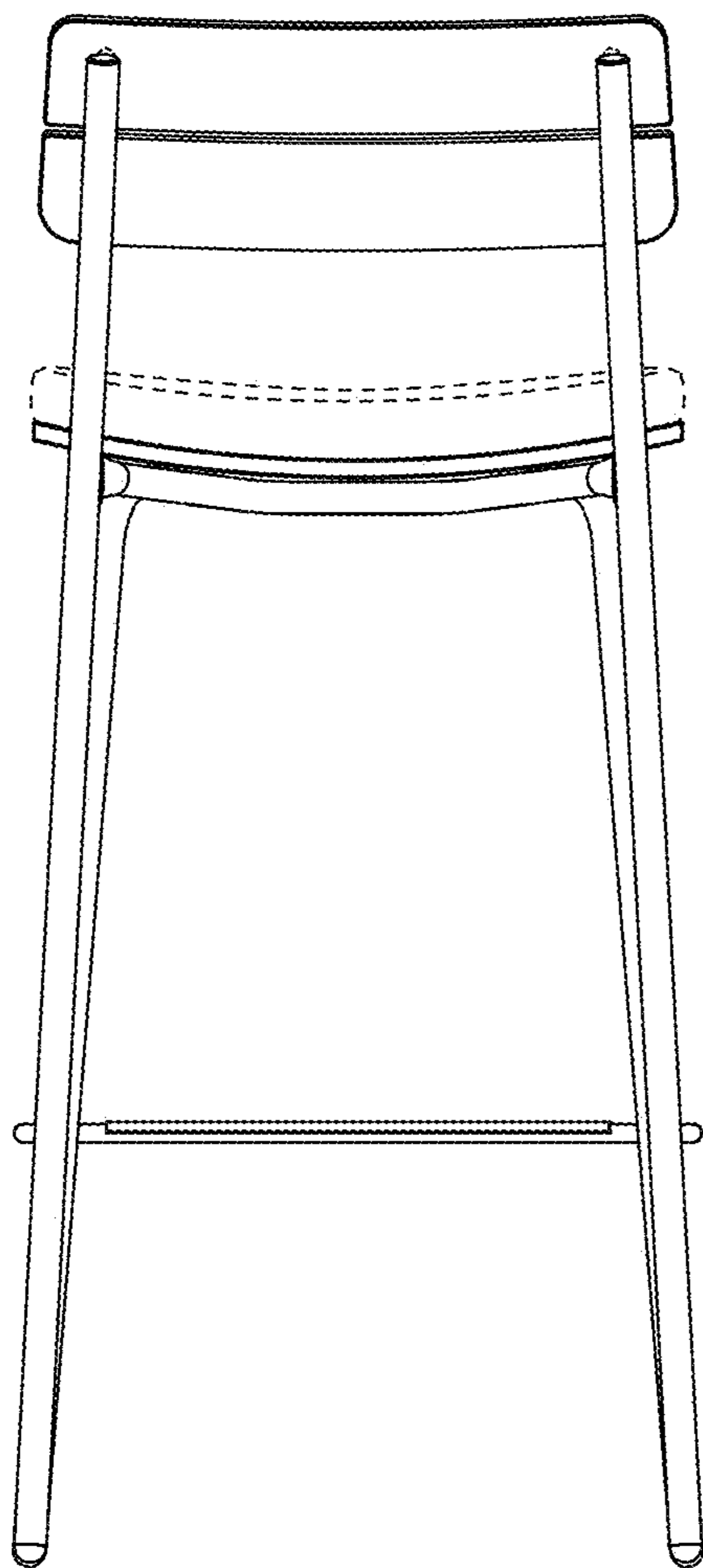


FIG. 11

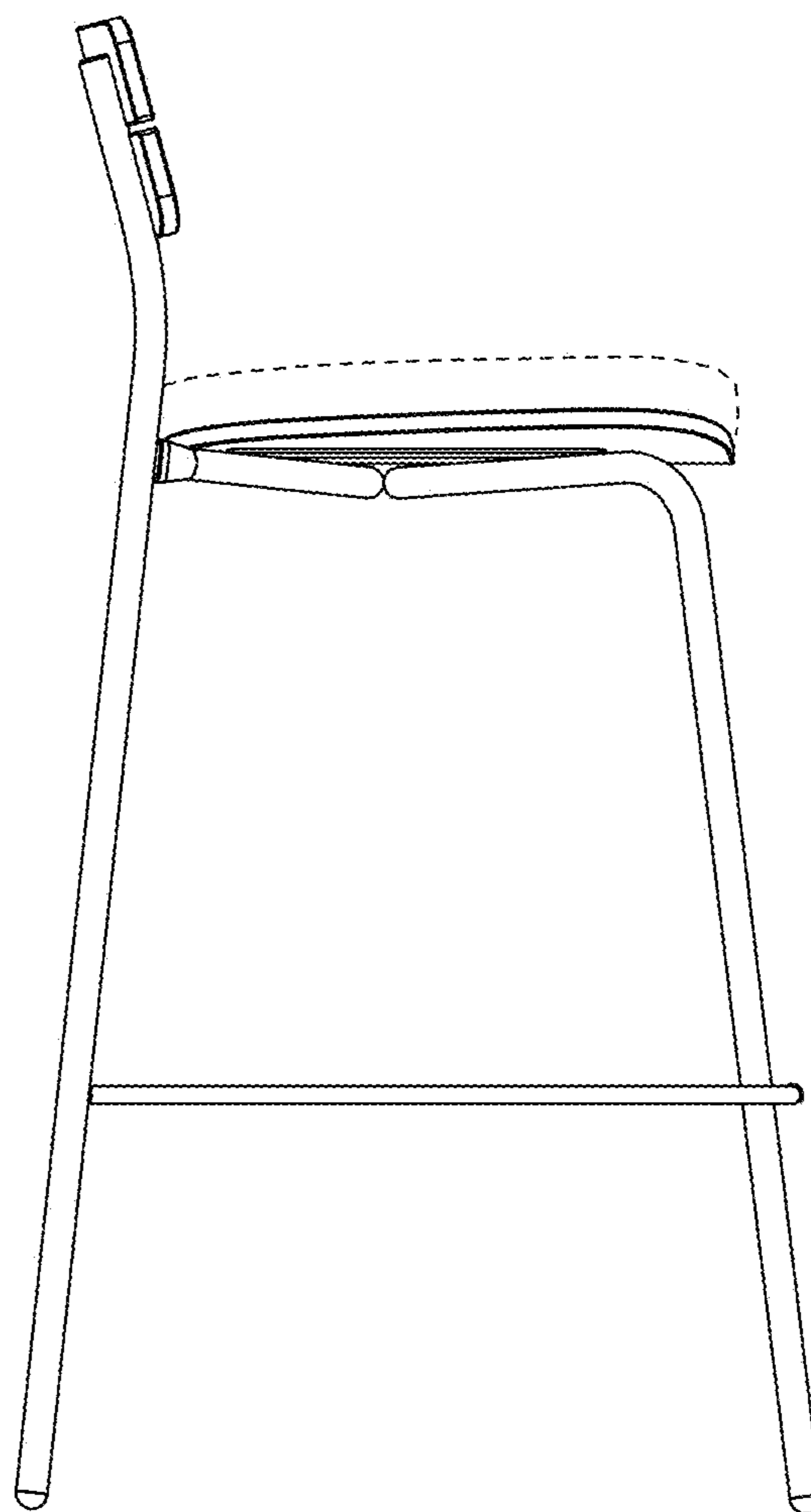


FIG. 12

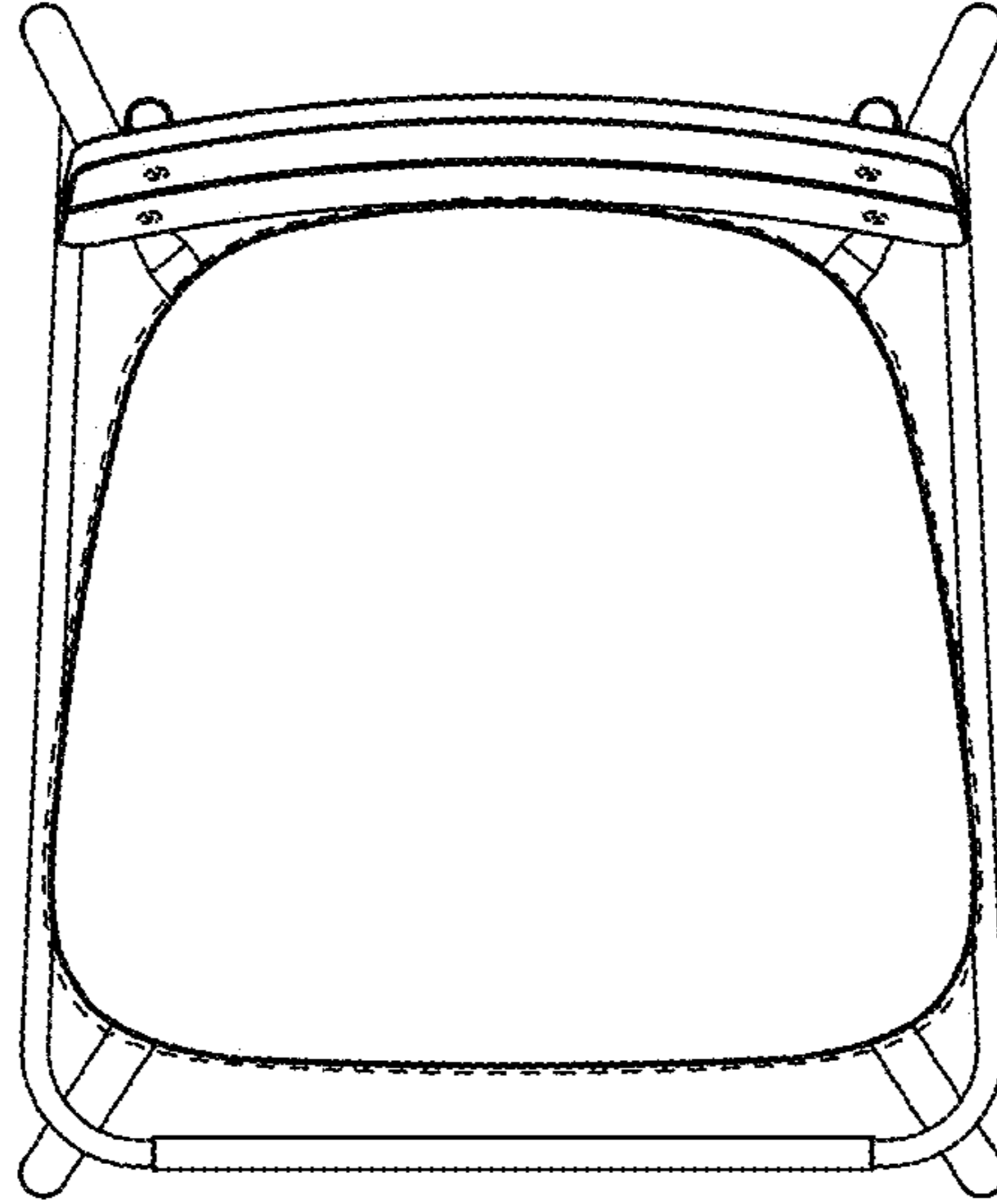


FIG. 13

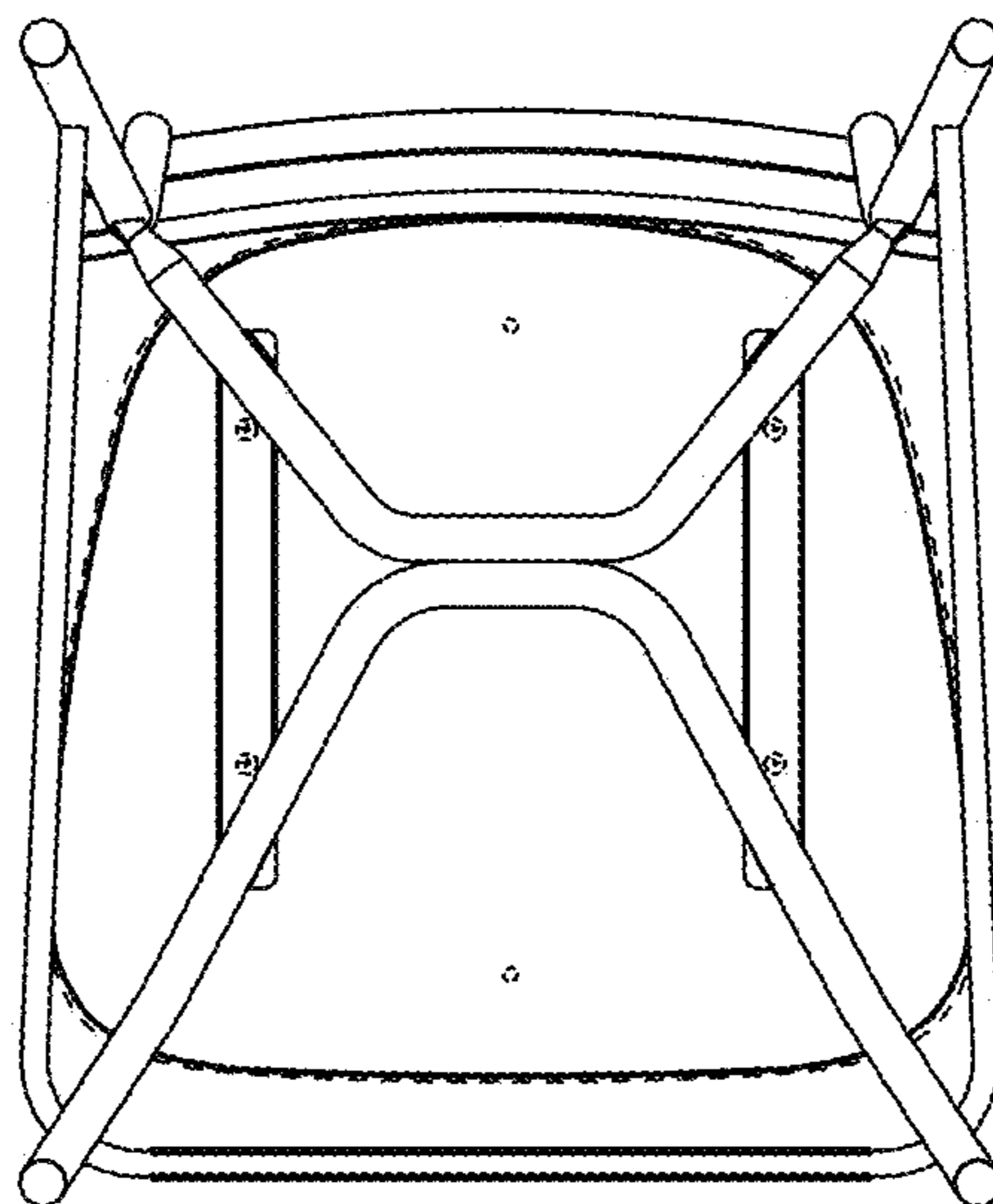


FIG. 14