



US00D886472S

(12) **United States Design Patent**
Reister

(10) **Patent No.:** **US D886,472 S**

(45) **Date of Patent:** **** Jun. 9, 2020**

- (54) **BELT RACK ORGANIZER**
- (71) Applicant: **The Modern Gentleman, Inc.**, Plano, TX (US)
- (72) Inventor: **Richard James Reister**, Plano, TX (US)
- (73) Assignee: **THE MODERN GENTLEMAN, INC.**, Plano, TX (US)
- (**) Term: **15 Years**
- (21) Appl. No.: **29/680,828**
- (22) Filed: **Feb. 20, 2019**
- (51) **LOC (12) Cl.** **06-08**
- (52) **U.S. Cl.**
USPC **D6/315**
- (58) **Field of Classification Search**
USPC D6/315-328, 512, 513, 552, 553, 567;
D8/349
CPC A47G 25/14; A47G 25/28; A47G 25/26;
A47G 25/30; A47G 25/36; A47G 25/50;
A47G 25/442; A47G 25/483; A47G
25/743; A47G 25/4023; A47F 5/0006
See application file for complete search history.

- 5,487,475 A * 1/1996 Knee A47B 81/005
211/70.8
- 5,604,484 A * 2/1997 Rogers G08B 13/1445
340/568.8
- D493,056 S * 7/2004 Shornak D6/552
- D509,669 S * 9/2005 Krebs D6/315
- D782,227 S * 3/2017 Hepburn D6/674
- 9,687,117 B1 * 6/2017 Koch A47K 1/09
- D794,979 S * 8/2017 Centracchio D22/147
- 10,092,116 B1 * 10/2018 Johns A47F 7/022
- 2004/0222175 A1 * 11/2004 Keating A61B 50/22
211/85.13
- 2008/0087785 A1 * 4/2008 Roche A47B 81/005
248/309.4

* cited by examiner

Primary Examiner — Lauren R Calve

(74) *Attorney, Agent, or Firm* — Slater Matsil, LLP

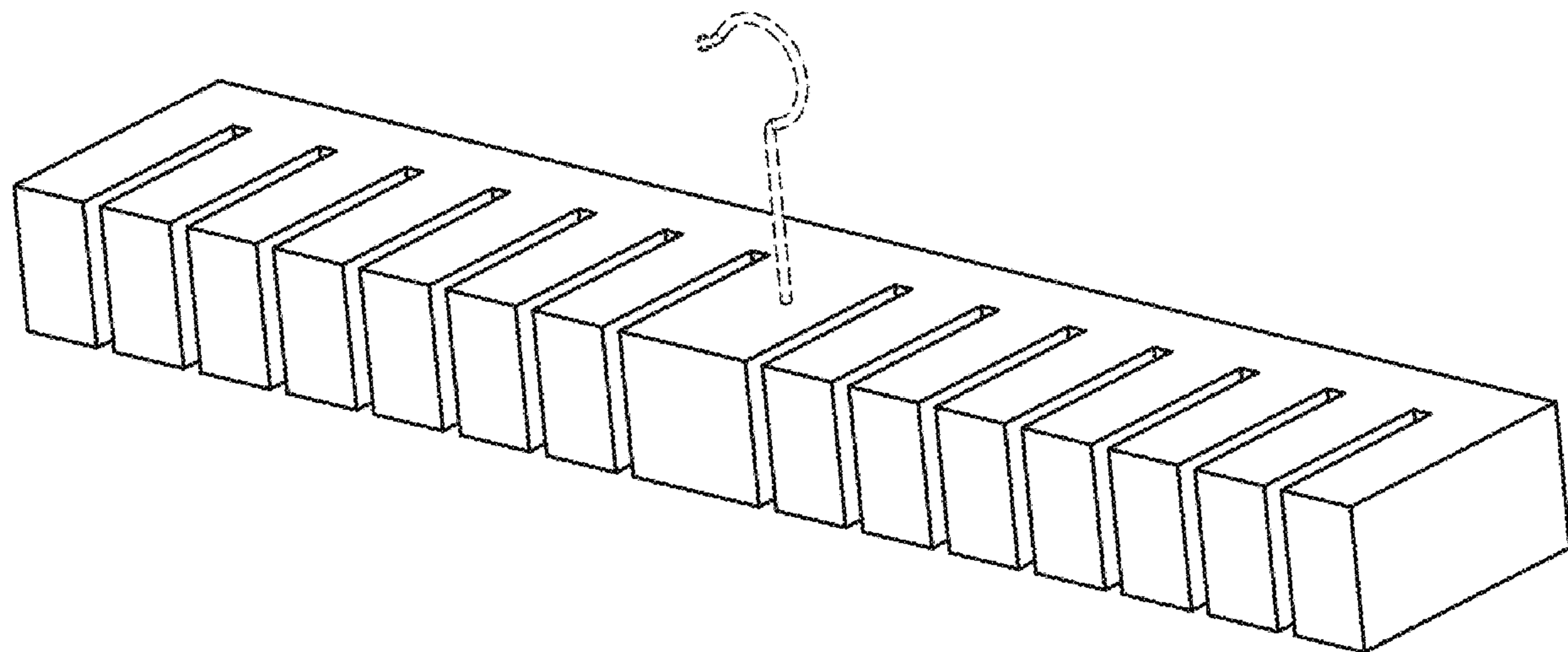
(57) **CLAIM**

The ornamental design for a belt rack organizer, as shown and described.

DESCRIPTION

FIG. 1 is a perspective view of a belt rack organizer; FIG. 2 is a front perspective view of the belt rack organizer of FIG. 1; FIG. 3 is a right side elevational view of the belt rack organizer of FIG. 1; FIG. 4 is a bottom plan view of the belt rack organizer of FIG. 1; FIG. 5 is a back side elevational view of the belt rack organizer of FIG. 1; FIG. 6 is a top plan view of the belt rack organizer of FIG. 1; and, FIG. 7 is a left side elevational view of the belt rack organizer of FIG. 1. The broken line portions of the figure drawings are included to show unclaimed subject matter only and form no part of the claimed design.

1 Claim, 7 Drawing Sheets



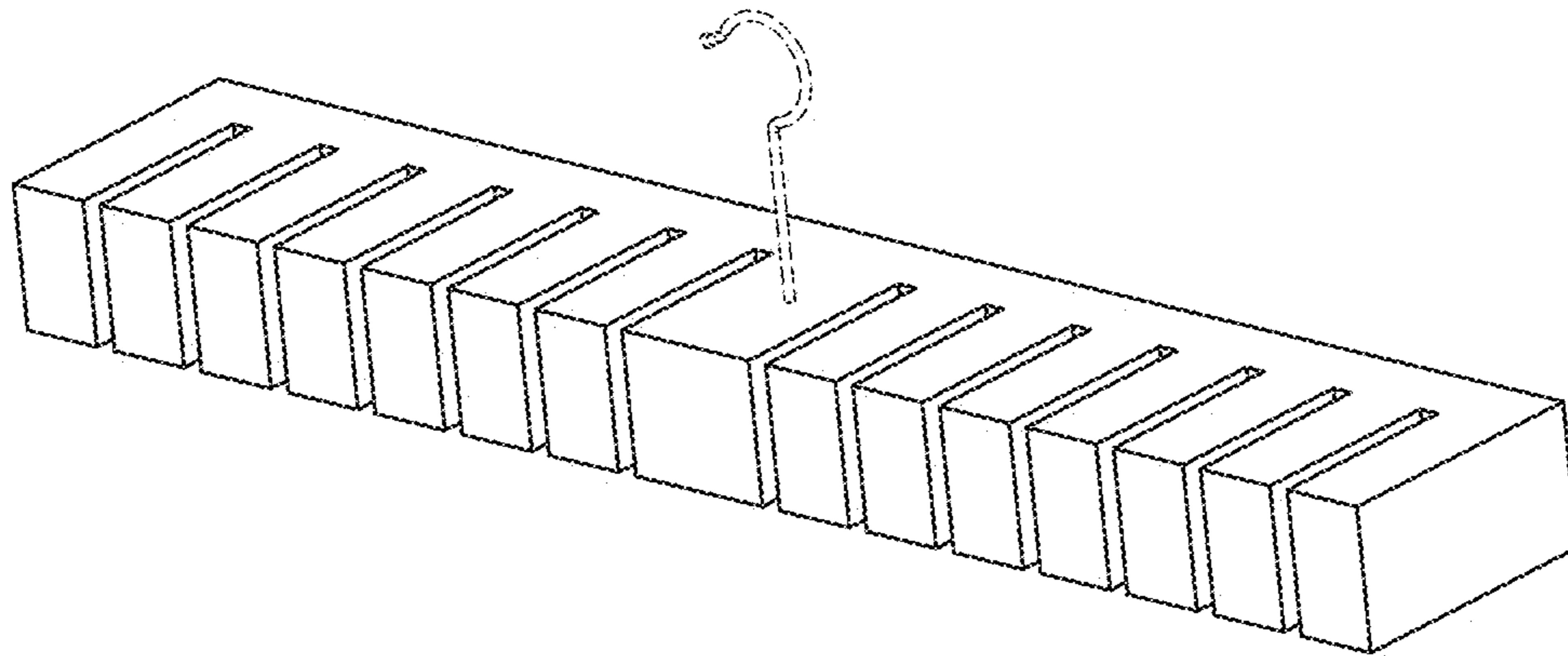


FIG. 1

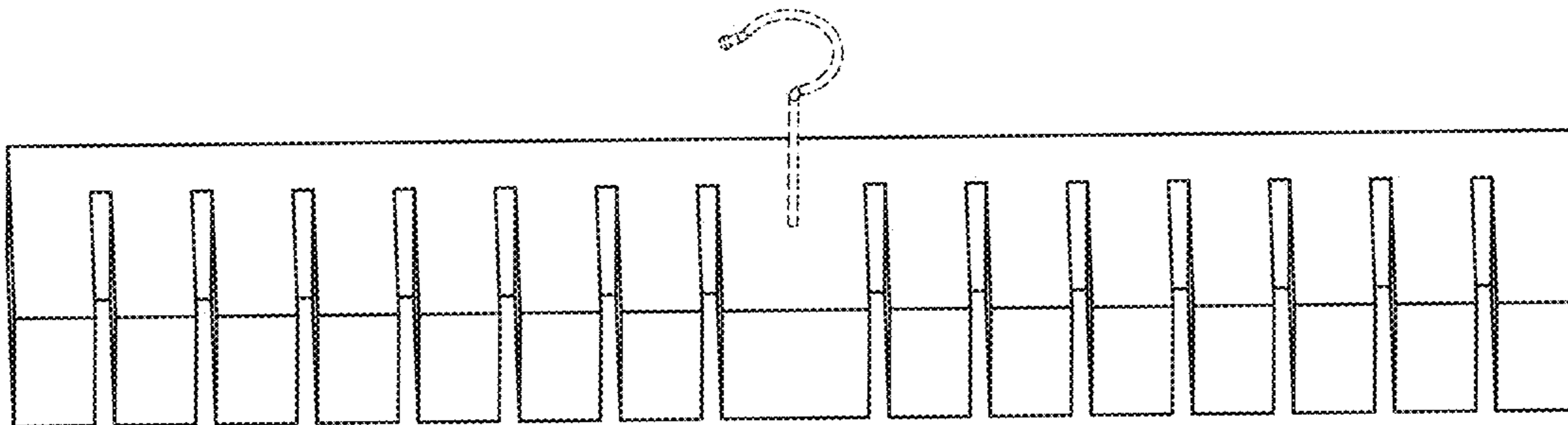


FIG. 2

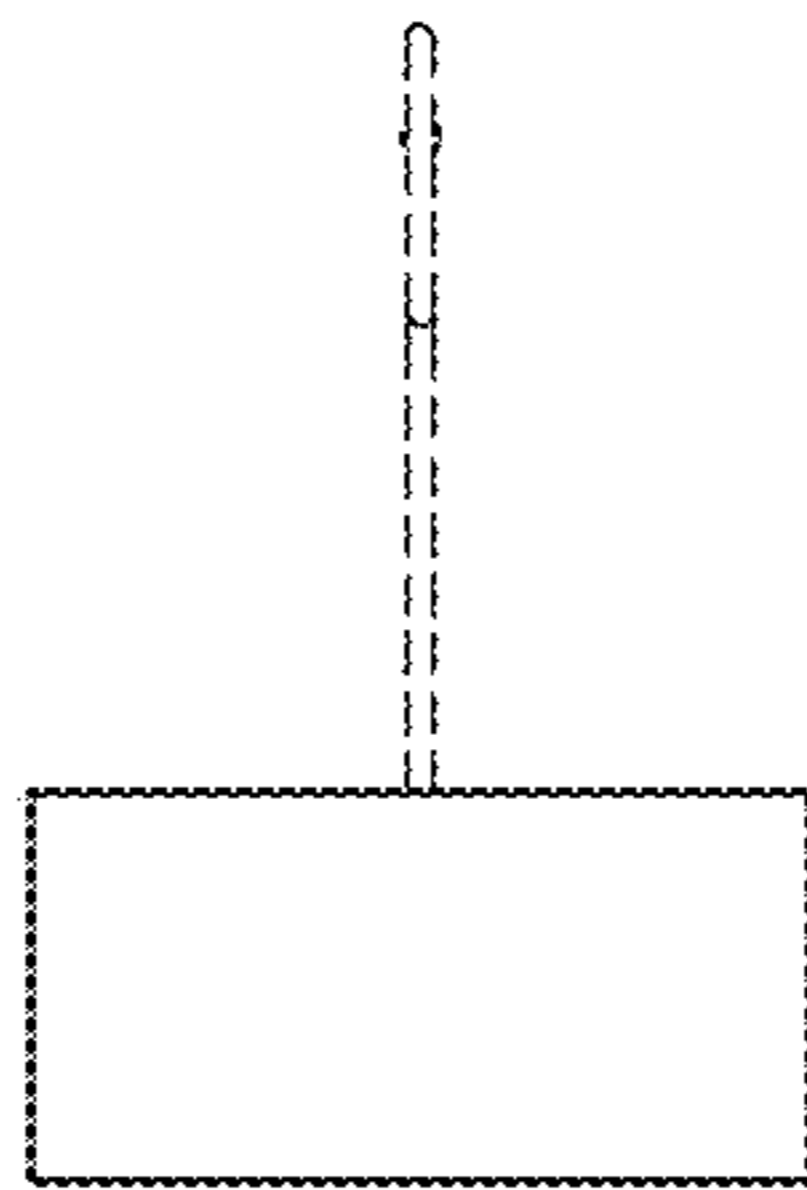


FIG. 3

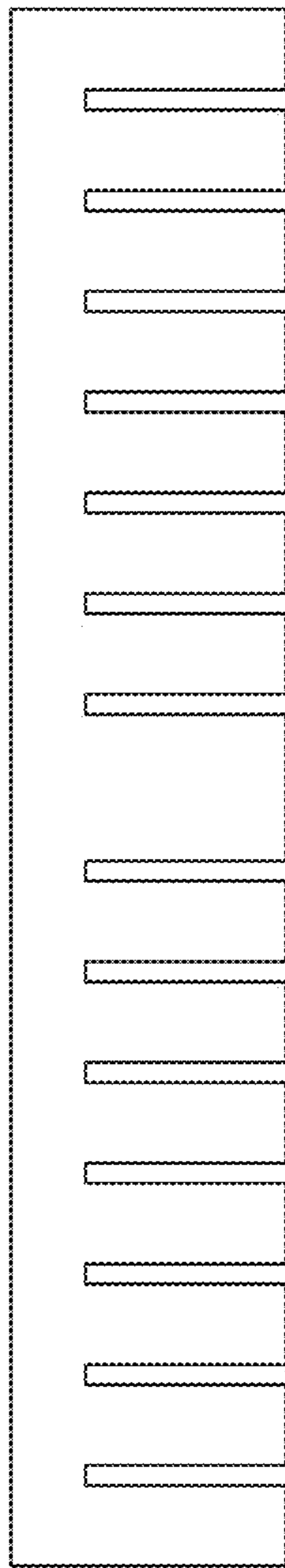


FIG. 4

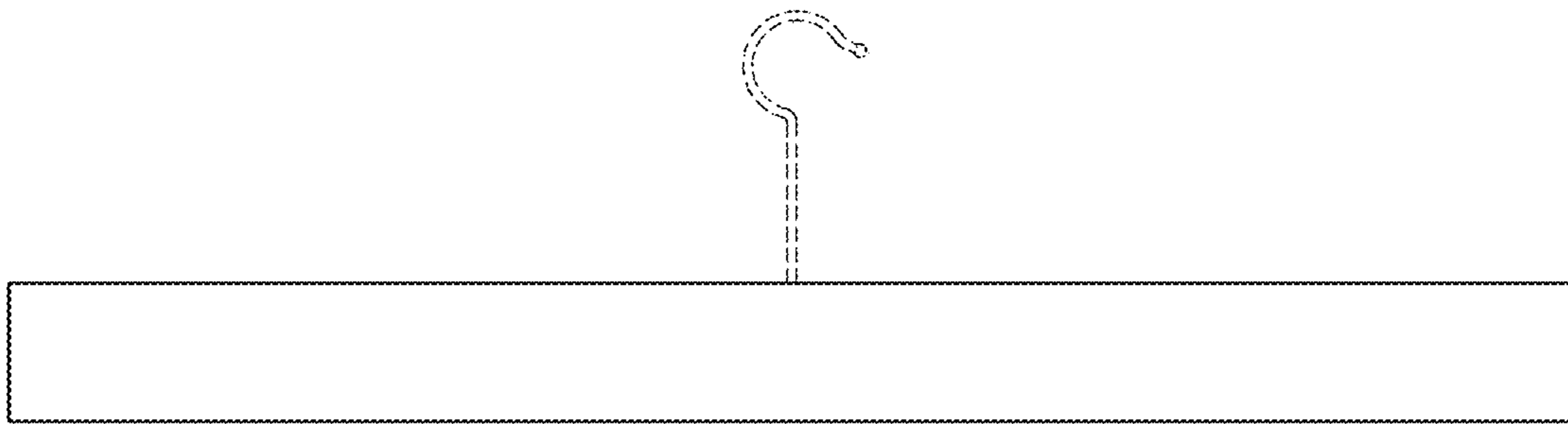


FIG. 5

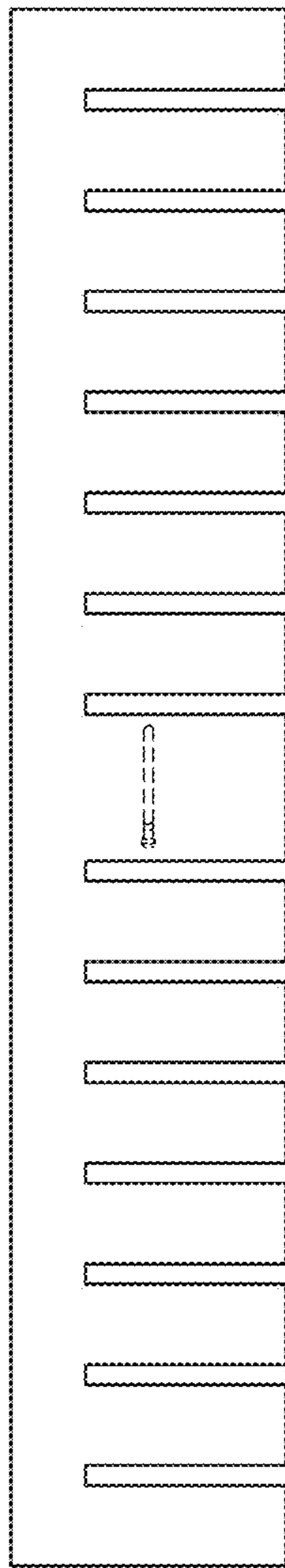


FIG. 6

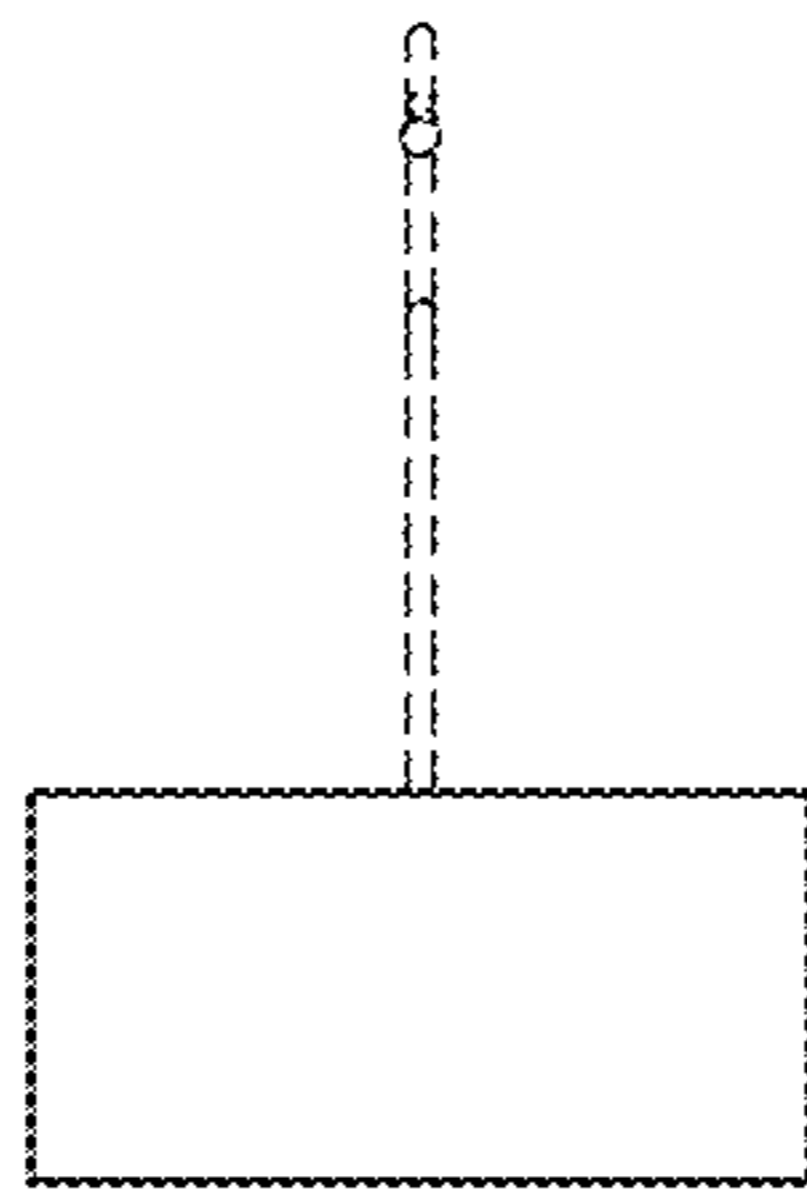


FIG. 7