



US00D886471S

(12) **United States Design Patent**
Yoon et al.

(10) **Patent No.:** **US D886,471 S**

(45) **Date of Patent:** **** Jun. 9, 2020**

(54) **TROUSER STRETCHER**
(71) Applicant: **Samsung Electronics Co., Ltd.**,
Suwon-si (KR)
(72) Inventors: **Sanghun Yoon**, Seoul (KR); **Jinsook Park**,
Uiwang-si (KR); **Sodam Park**, Seoul (KR); **Hyunwoo Yoon**,
Seongnam-si (KR); **Kangkyung Lee**, Seoul (KR)

3,262,617 A * 7/1966 McDonald A47G 25/622
223/95
D238,839 S * 2/1976 Vrignaud D6/320
4,729,498 A * 3/1988 Blanchard A47G 25/622
223/63
4,793,531 A * 12/1988 Blanchard A47G 25/62
223/95
D320,313 S * 10/1991 Gatling D6/315
D336,388 S * 6/1993 Reid D6/672
D600,871 S 9/2009 Keylikhes

(Continued)

(73) Assignee: **Samsung Electronics Co., Ltd.**,
Suwon-si (KR)

FOREIGN PATENT DOCUMENTS

CN 201730483499 4/2018
KR 30-2012-0042872 8/2013
KR 30-2017-0053045 6/2018

(**) Term: **15 Years**

Primary Examiner — Lauren R Calve

(21) Appl. No.: **29/676,301**

(74) *Attorney, Agent, or Firm* — NSIP Law

(22) Filed: **Jan. 10, 2019**

(57) **CLAIM**

(30) **Foreign Application Priority Data**

We claim the ornamental design for a trouser stretcher, as shown and described.

Aug. 17, 2018 (KR) 30-2018-0038327

DESCRIPTION

(51) **LOC (12) Cl.** **06-08**

(52) **U.S. Cl.**
USPC **D6/315**

(58) **Field of Classification Search**
USPC D6/315-328
CPC A47G 25/28; A47G 25/487; A47G 25/485;
A47G 25/473; A47G 25/66; A47G 25/36;
A47G 25/48; A47G 25/50; A47G 25/34;
A47G 25/445; A47G 2025/1492; A47F
5/0006; A47F 7/19
See application file for complete search history.

FIG. 1 is a front perspective view of a trouser stretcher showing our new design;
FIG. 2 is a front view thereof;
FIG. 3 is a rear view thereof;
FIG. 4 is a left-side view thereof;
FIG. 5 is a right-side view thereof;
FIG. 6 is a top view thereof;
FIG. 7 is a bottom view thereof;
FIG. 8 is a cross-sectional view taken along the line 8-8 of FIG. 2; and,
FIG. 9 is a perspective view of the trouser stretcher shown in a state of use.

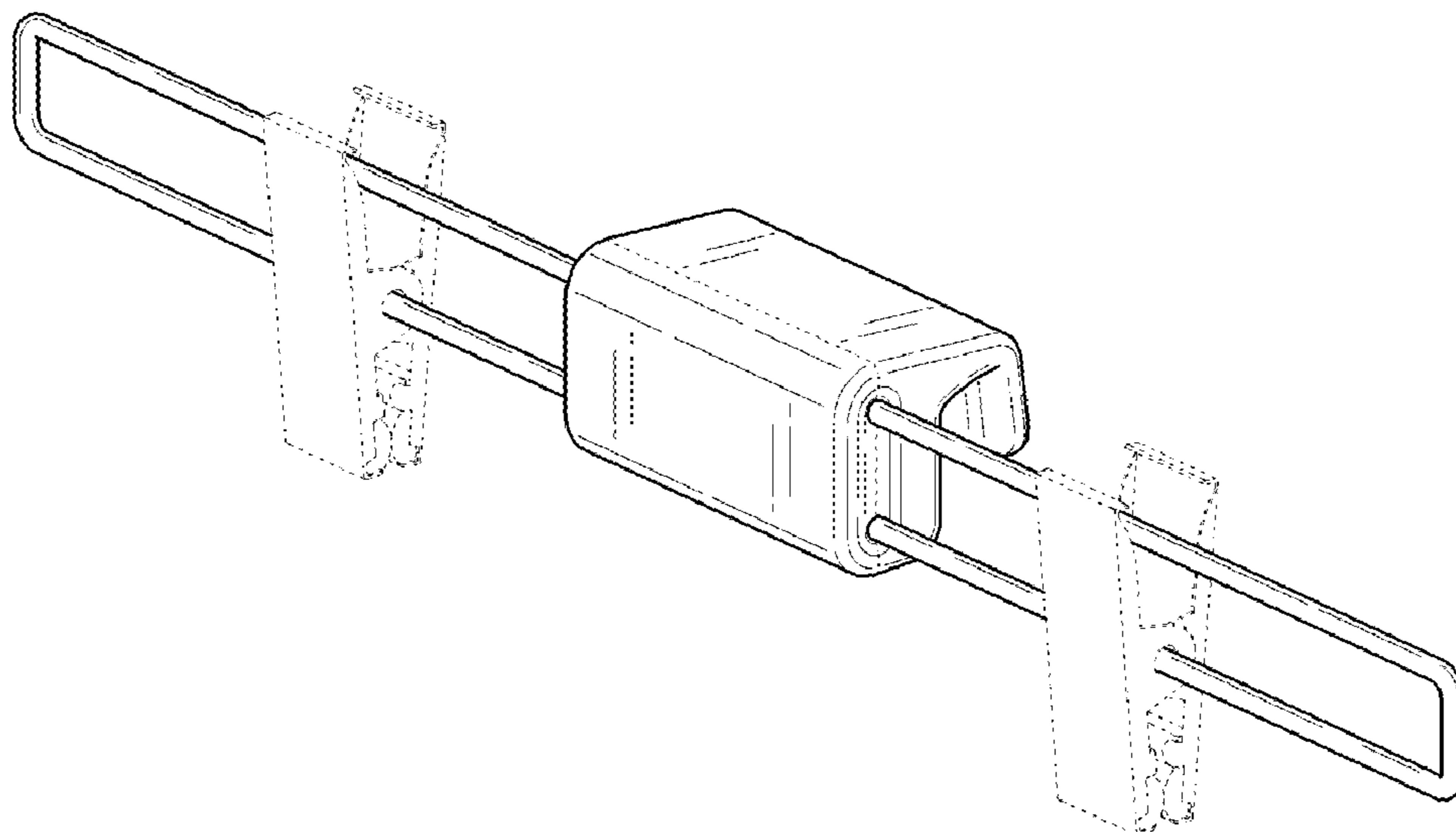
(56) **References Cited**

U.S. PATENT DOCUMENTS

2,828,897 A * 4/1958 Gordon A47G 25/66
223/95
2,828,898 A * 4/1958 Hulett A47G 25/66
223/96

The broken lines in the figures depict portions of the trouser stretcher which form no part of the claimed design. The remaining broken lines depict environmental subject matter and form no part of the claimed design.

1 Claim, 6 Drawing Sheets



(56)

References Cited

U.S. PATENT DOCUMENTS

D628,817 S 12/2010 Song et al.
D648,140 S * 11/2011 Ferraro D6/315

* cited by examiner

FIG. 1

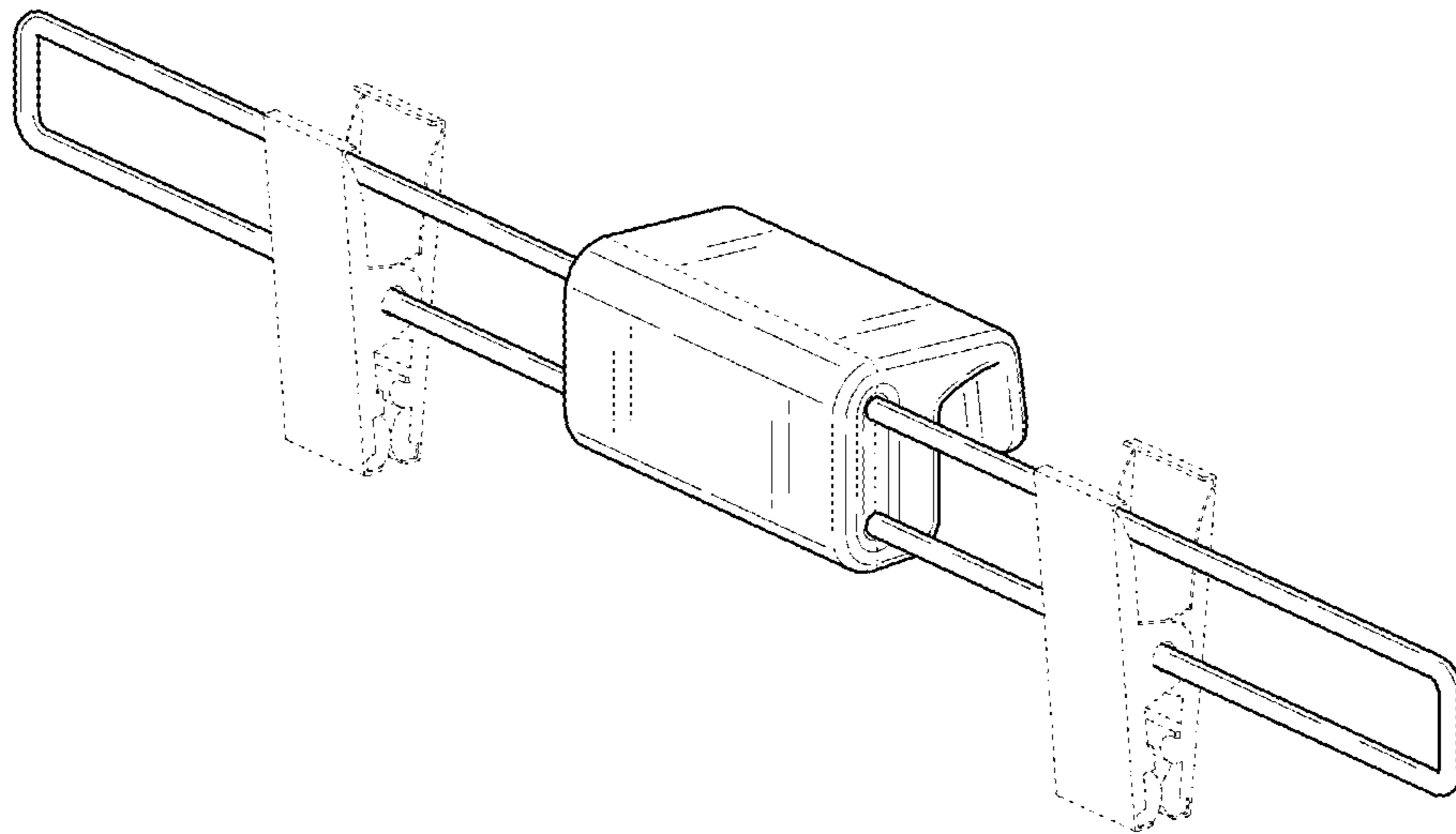


FIG. 2

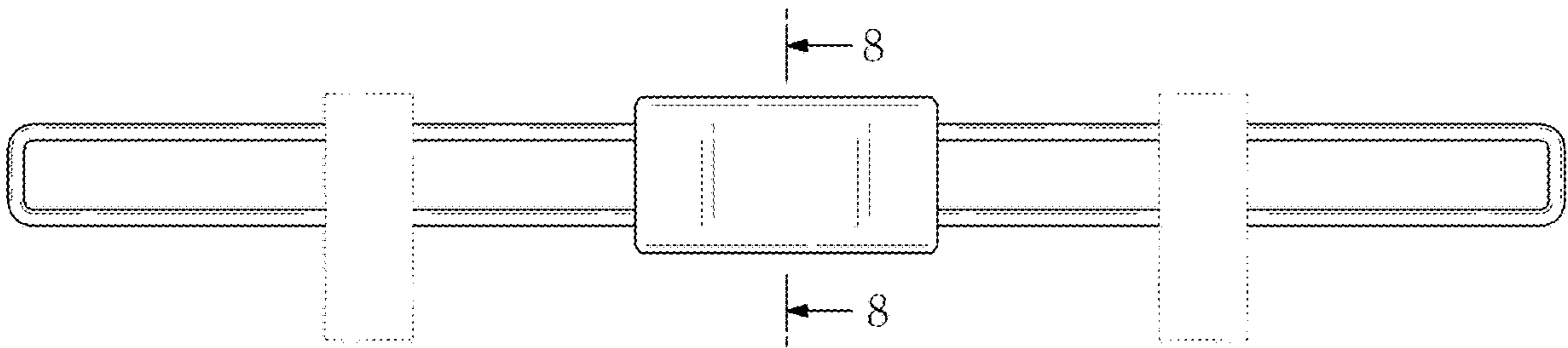


FIG. 3

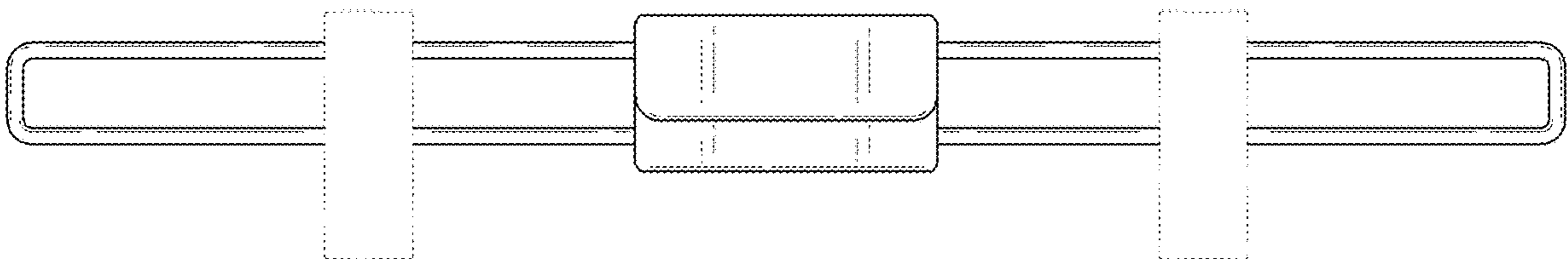


FIG. 4

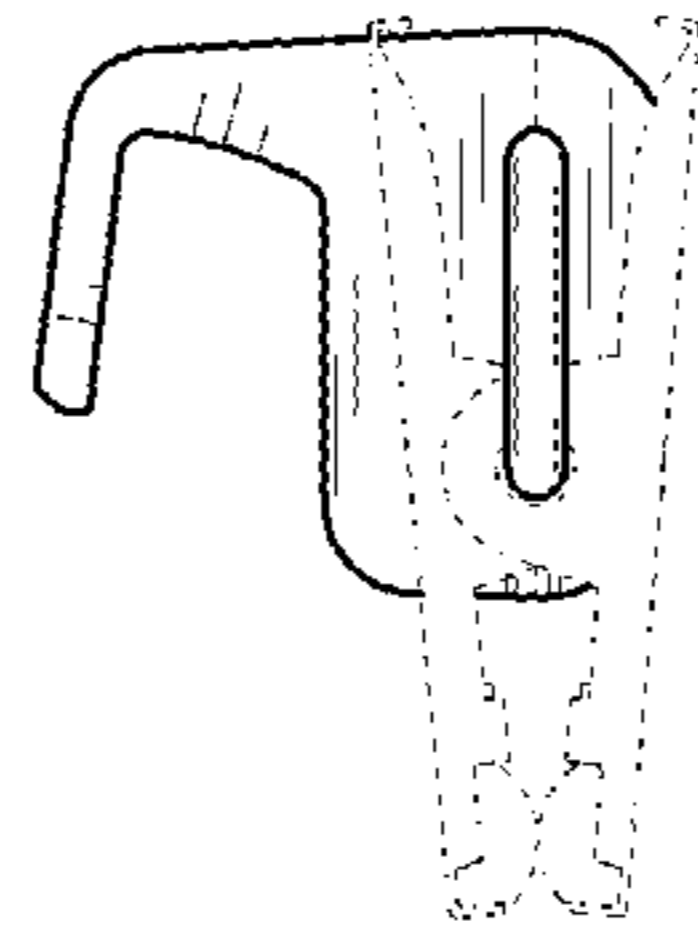


FIG. 5

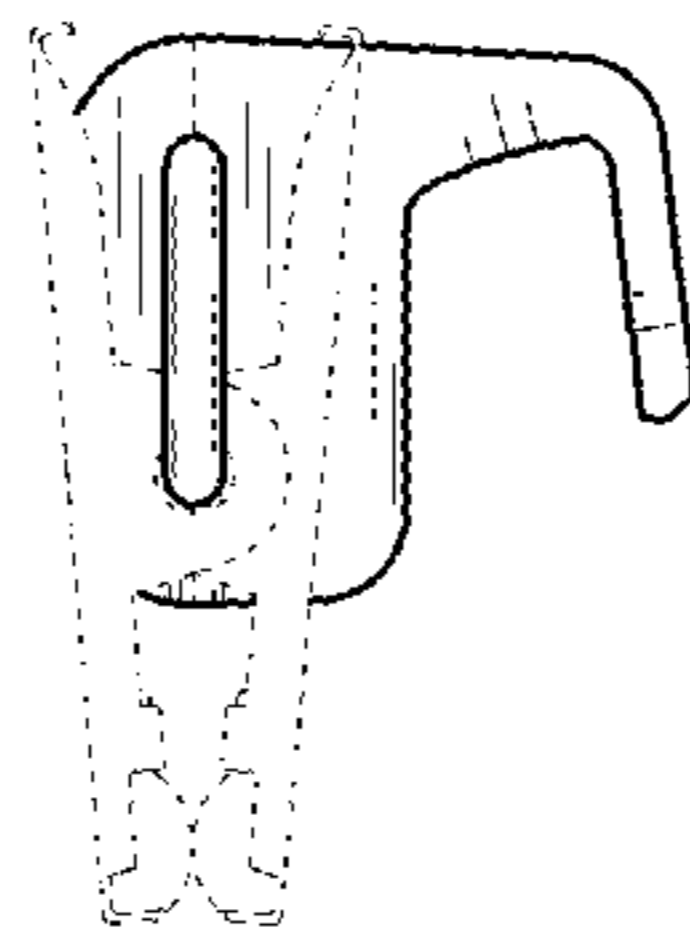


FIG. 6

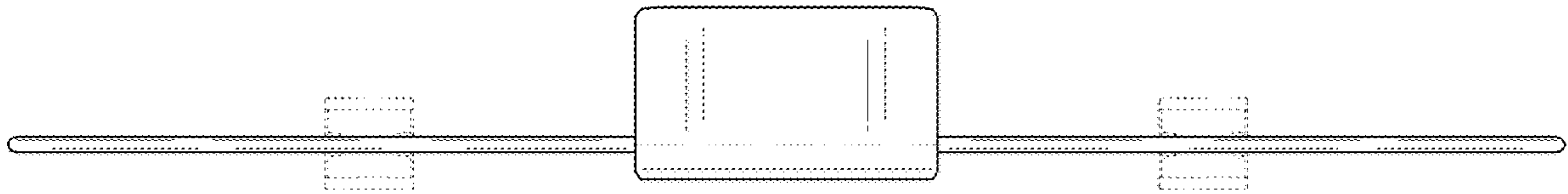


FIG. 7

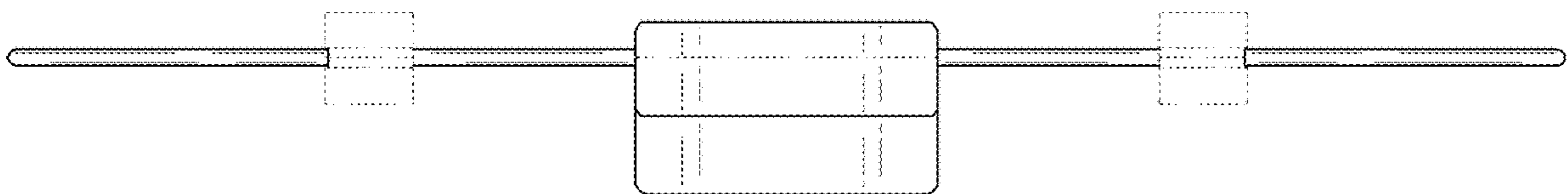


FIG. 8

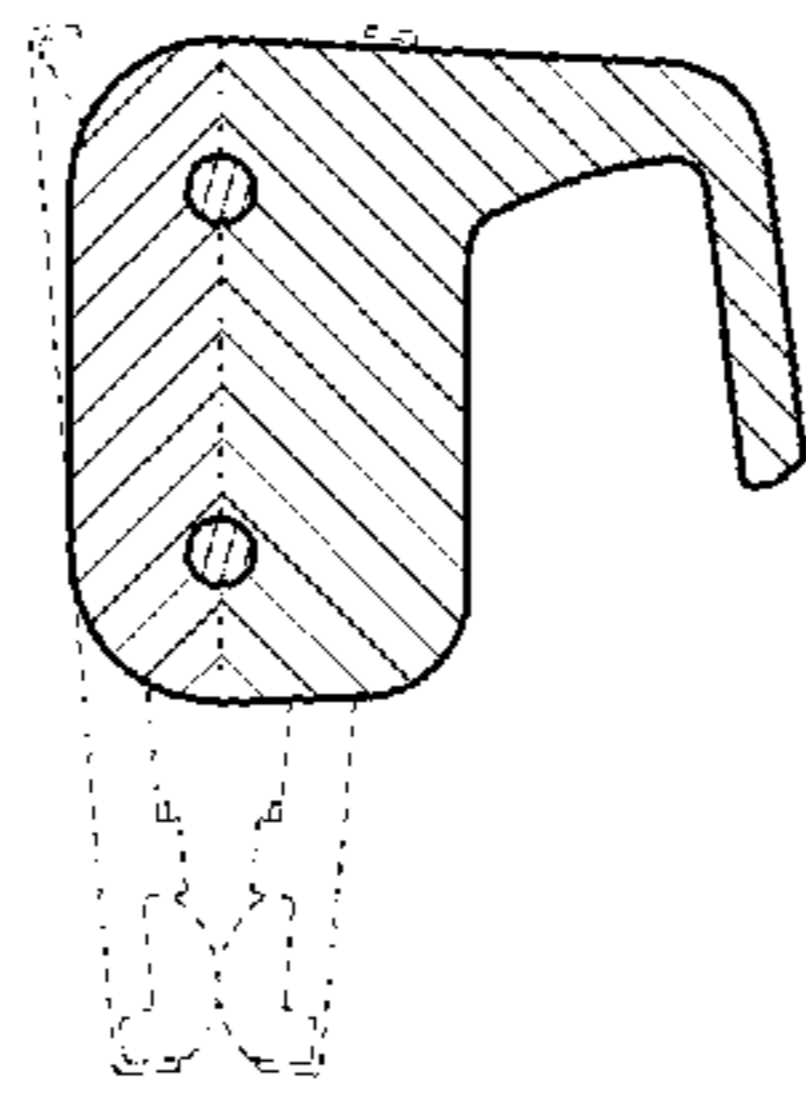


FIG. 9

