



US00D886455S

(12) **United States Design Patent** (10) **Patent No.:** **US D886,455 S**
Williamson et al. (45) **Date of Patent:** **** *Jun. 9, 2020**

- (54) **CHARGING CASE**
- (71) Applicant: **Bose Corporation**, Framingham, MA (US)
- (72) Inventors: **Paul C. Williamson**, Worcester, MA (US); **Jingwei Dang**, Auburn, MA (US); **Barry Vincent Cipriano**, Bellingham, MA (US); **Thomas Nilsen**, Auburn, MA (US)
- (73) Assignee: **Bose Corporation**, Framingham, MA (US)
- (*) Notice: This patent is subject to a terminal disclaimer.
- (**) Term: **15 Years**
- (21) Appl. No.: **29/674,544**
- (22) Filed: **Dec. 21, 2018**
- (51) **LOC (12) Cl.** **03-01**
- (52) **U.S. Cl.**
USPC **D3/294; D13/108**
- (58) **Field of Classification Search**
USPC D3/201, 208, 212, 271.1, 273, 294, 218, D3/215, 269, 270, 302, 266; D9/711, D9/455; D14/217, 221, 223, 496; D13/118, 108; D28/78, 82
CPC A45C 13/002; A45C 2011/001; H04R 1/1025
See application file for complete search history.

- (56) **References Cited**
U.S. PATENT DOCUMENTS
D49,217 S * 6/1916 King D3/265
D548,970 S * 8/2007 Huang D3/294
D586,557 S * 2/2009 Jalet D3/294
D604,501 S * 11/2009 Lee D3/201
D641,164 S * 7/2011 Cornu D3/294
D673,430 S * 1/2013 Glassman D3/201

- D735,132 S * 7/2015 Donohue, II D13/108
 - D740,018 S * 10/2015 Zhang D3/201
 - D740,025 S * 10/2015 Phan D3/294
 - D772,572 S * 11/2016 Palmborg D3/201
 - D800,060 S * 10/2017 Solland D13/108
 - D806,648 S * 1/2018 Beedham D13/107
 - D811,745 S * 3/2018 Davi D3/294
 - D817,640 S * 5/2018 Dang D3/294
 - D826,152 S * 8/2018 Christiansen D13/108
 - D838,480 S * 1/2019 Son D3/294
 - D839,583 S * 2/2019 Cao D3/201
 - D841,581 S * 2/2019 Bonahoom D13/108
 - D846,264 S * 4/2019 Wu D3/201
 - D851,035 S * 6/2019 Hong D13/108
 - D851,913 S * 6/2019 Yu D3/201
- (Continued)

OTHER PUBLICATIONS

Amazon, "Amuoc Wireless Earbuds, Bluetooth 5.0 . . . ", First on sale Sep. 5, 2016. (<https://www.amazon.com/dp/B07VK5KF6Y/>) (Year: 2016).*

(Continued)

Primary Examiner — April Rivas

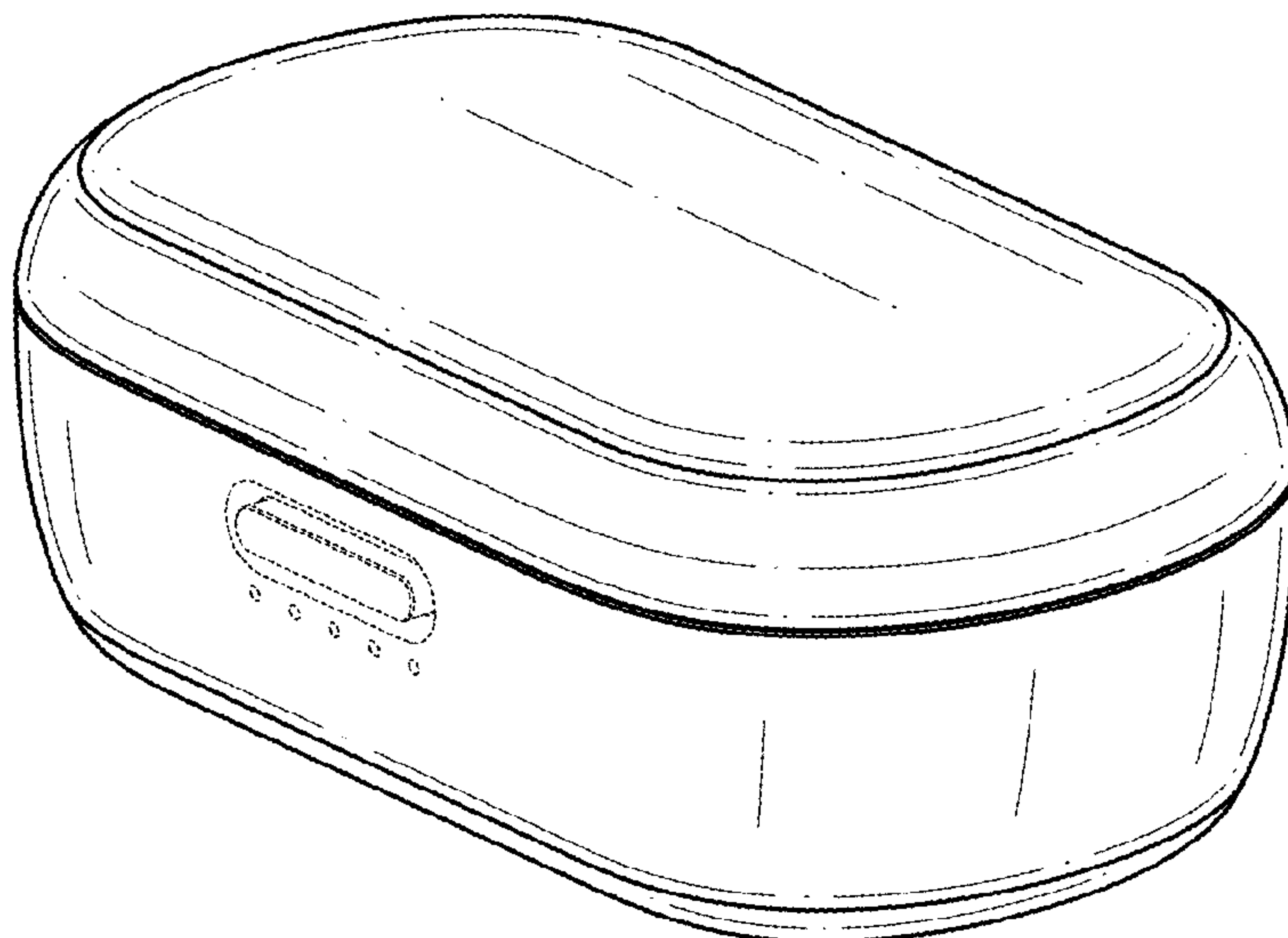
(57) **CLAIM**

The ornamental design for charging case, substantially as shown and described.

DESCRIPTION

FIG. 1 is a perspective view of a charging case as seen from the front, top, and right side; FIG. 2 is a top view thereof; FIG. 3 is a front view thereof; FIG. 4 is a bottom view thereof; FIG. 5 is a back view thereof; FIG. 6 is a left side view thereof; and, FIG. 7 is a right side view thereof. The broken lines illustrate portions of the charging case and form no part of the claimed design.

1 Claim, 4 Drawing Sheets



(56)

References Cited

U.S. PATENT DOCUMENTS

2008/0090622 A1* 4/2008 Kim H02J 7/0044
455/573
2019/0069066 A1* 2/2019 Song H01F 7/02

OTHER PUBLICATIONS

Amazon, "True Wireless Bluetooth Earbuds, CloudFox Bluetooth 5.0 . . .", First on sale Jul. 6, 2019. (<https://www.amazon.com/dp/B07V1CKNSB/>) (Year: 2019).*

* cited by examiner

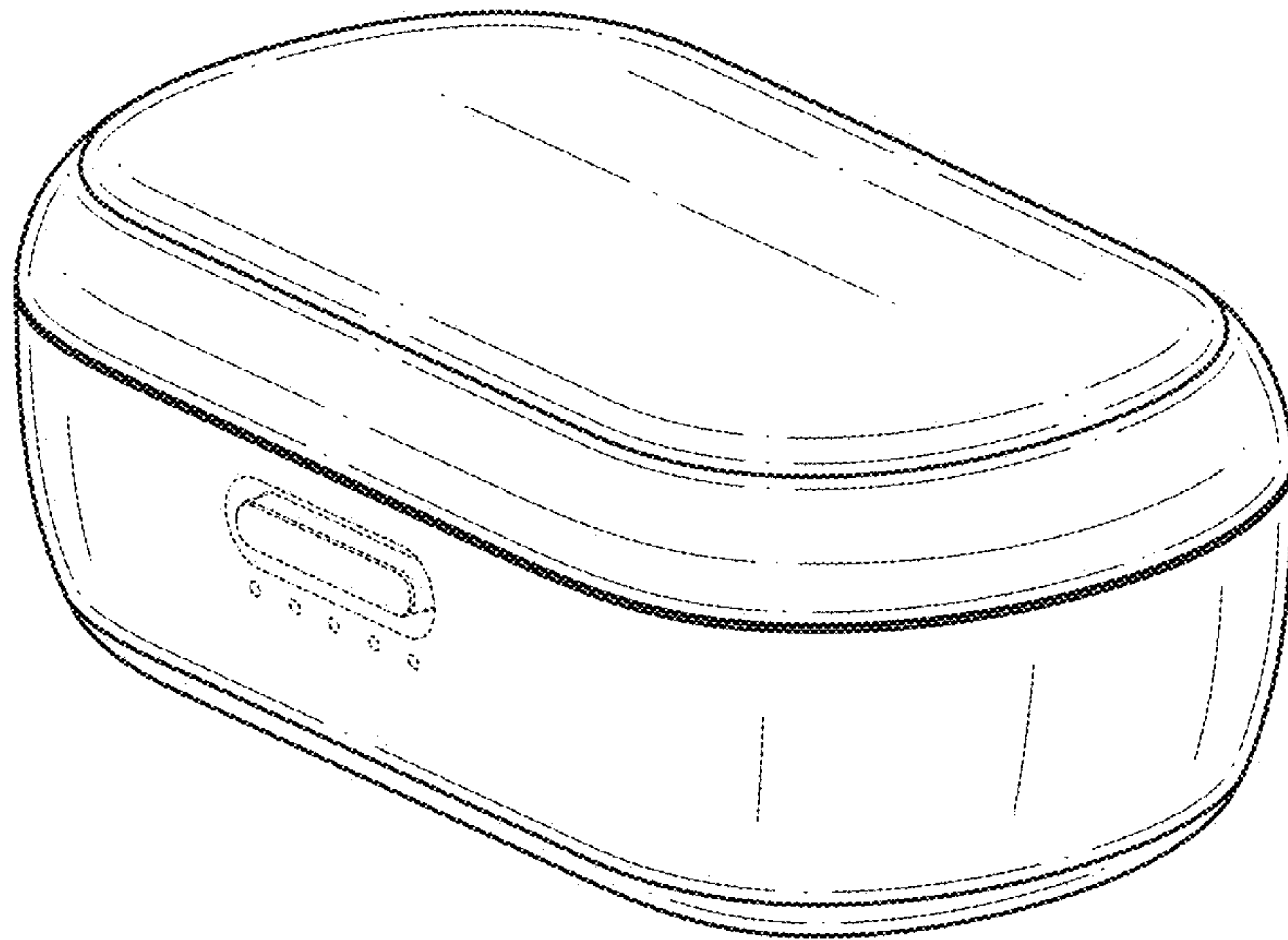


FIG. 1

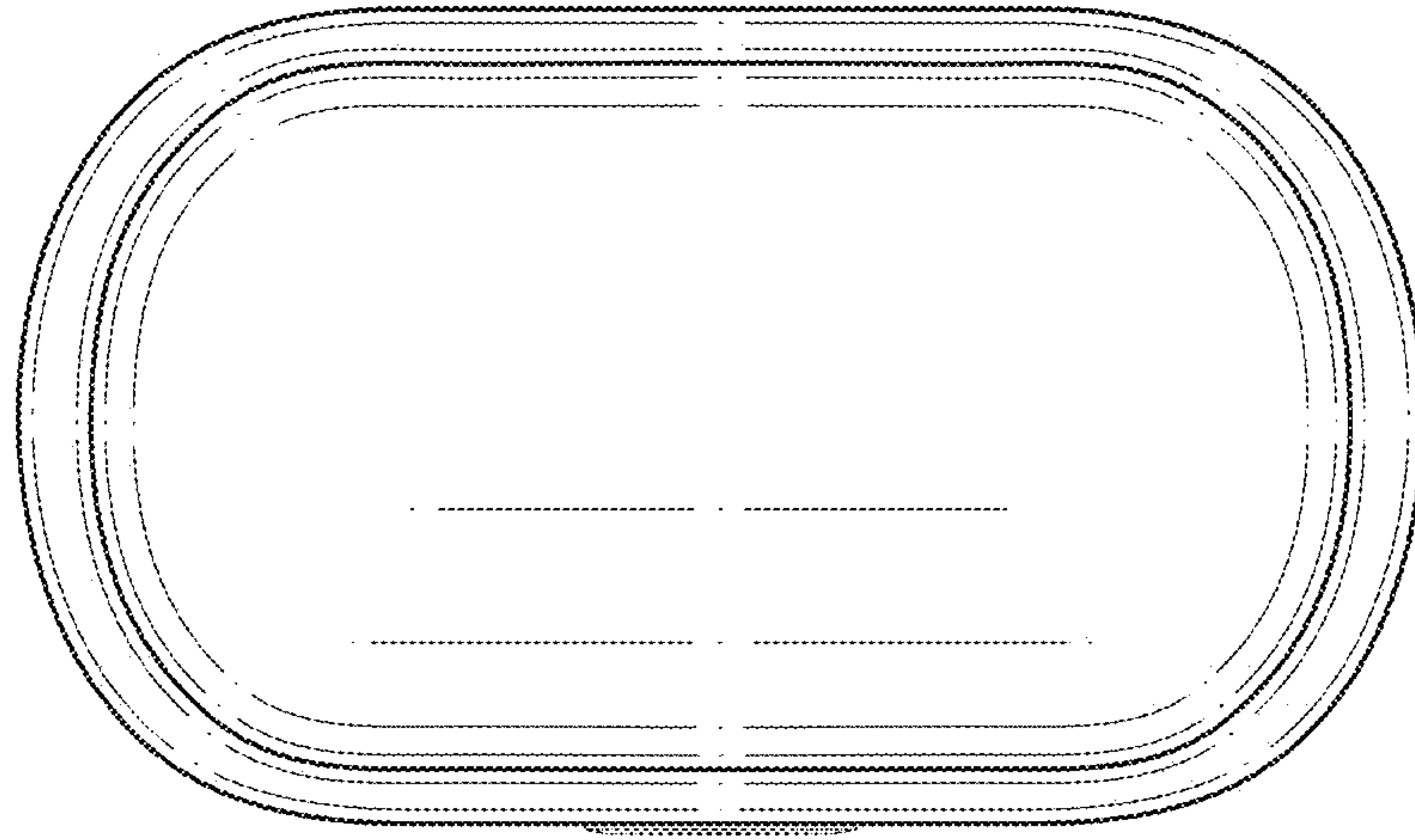


FIG. 2

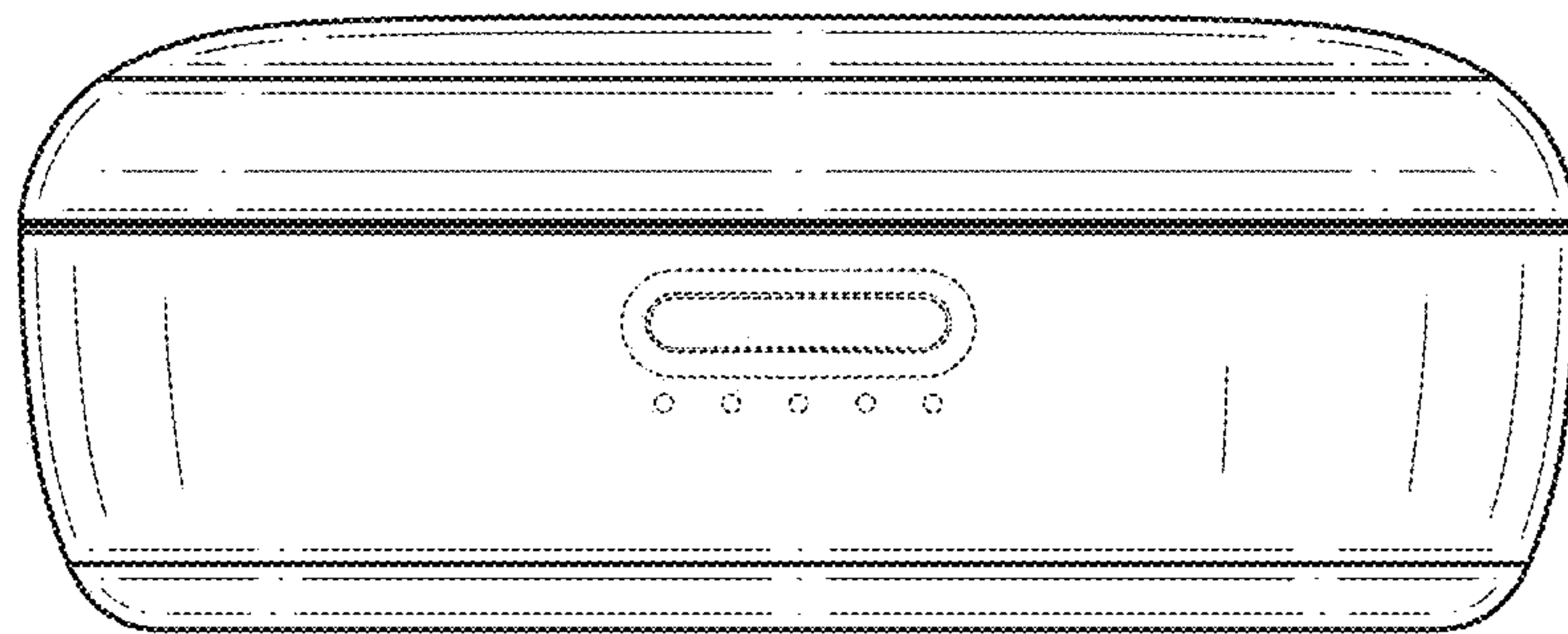


FIG. 3

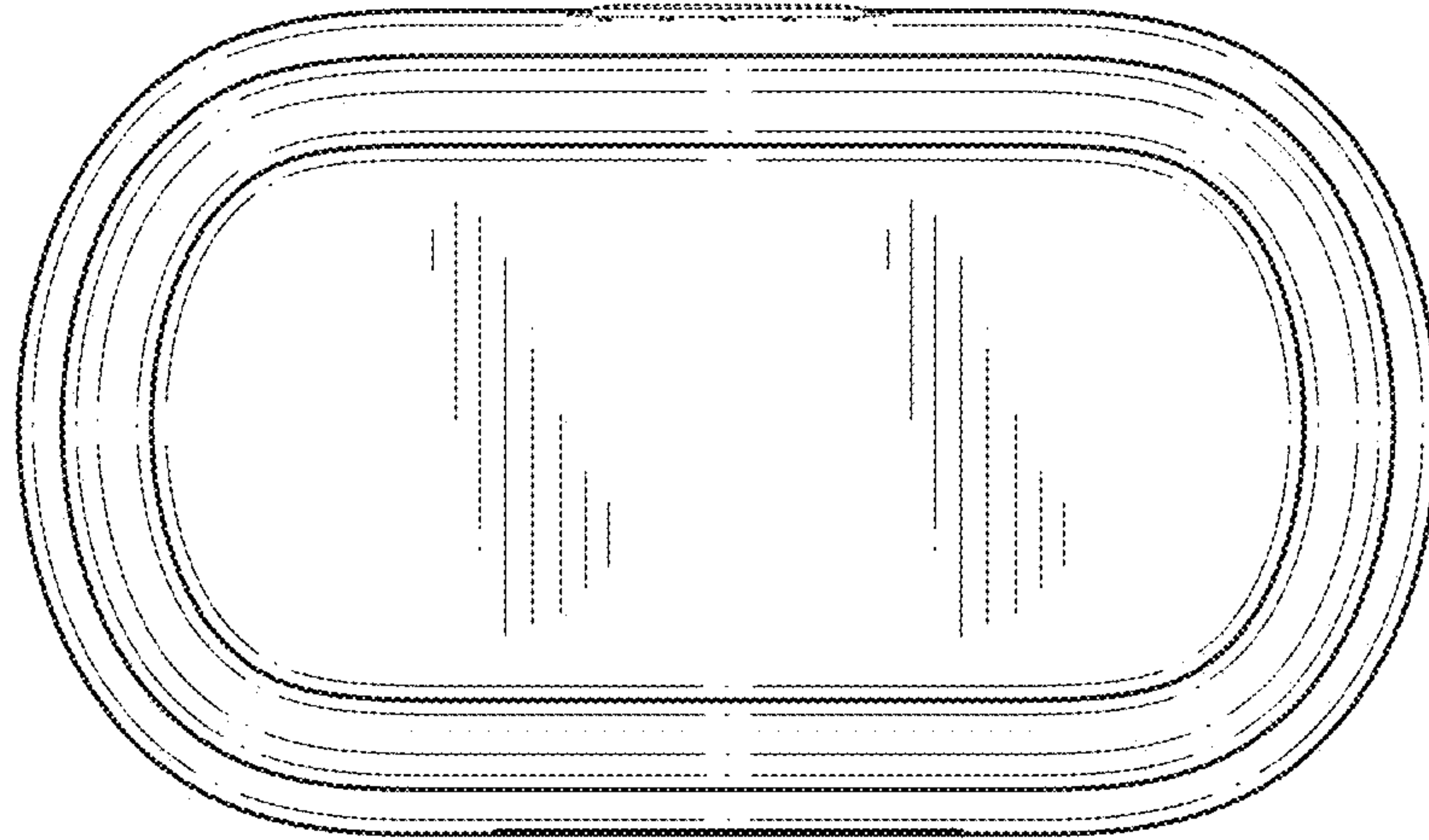


FIG. 4

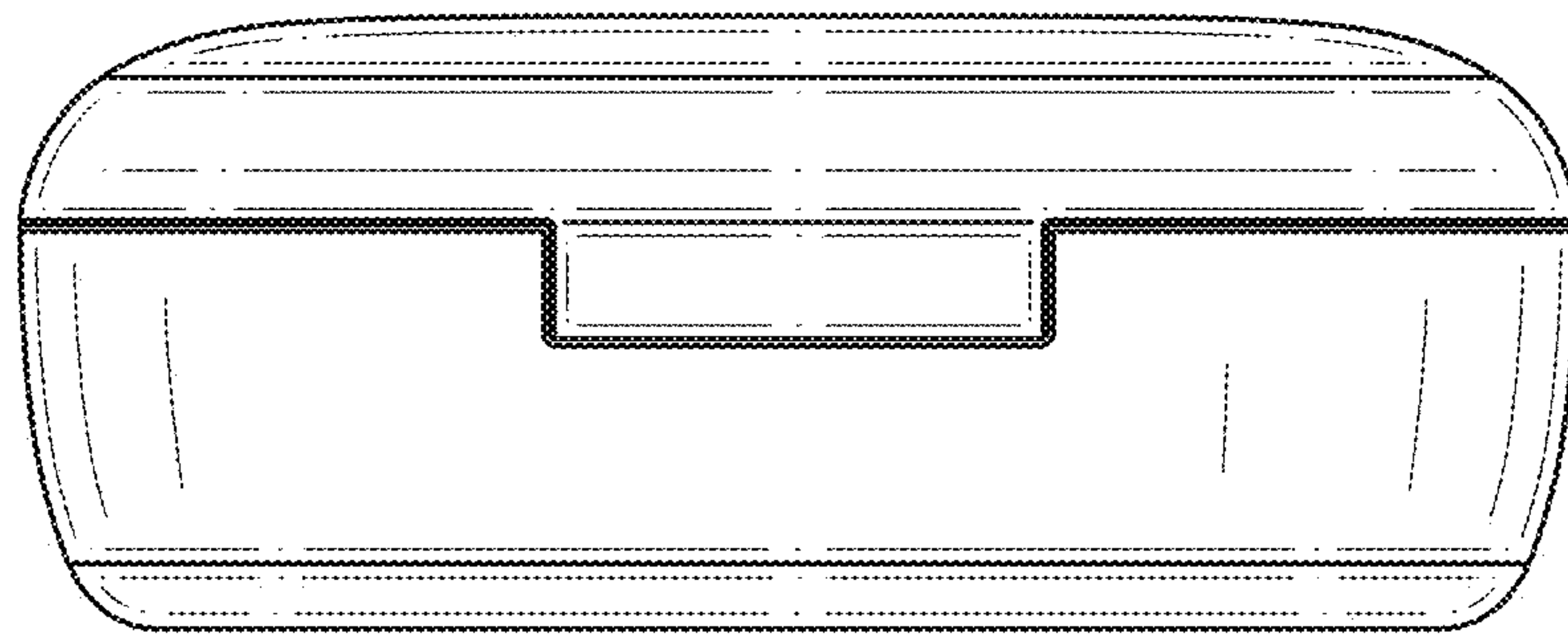


FIG. 5

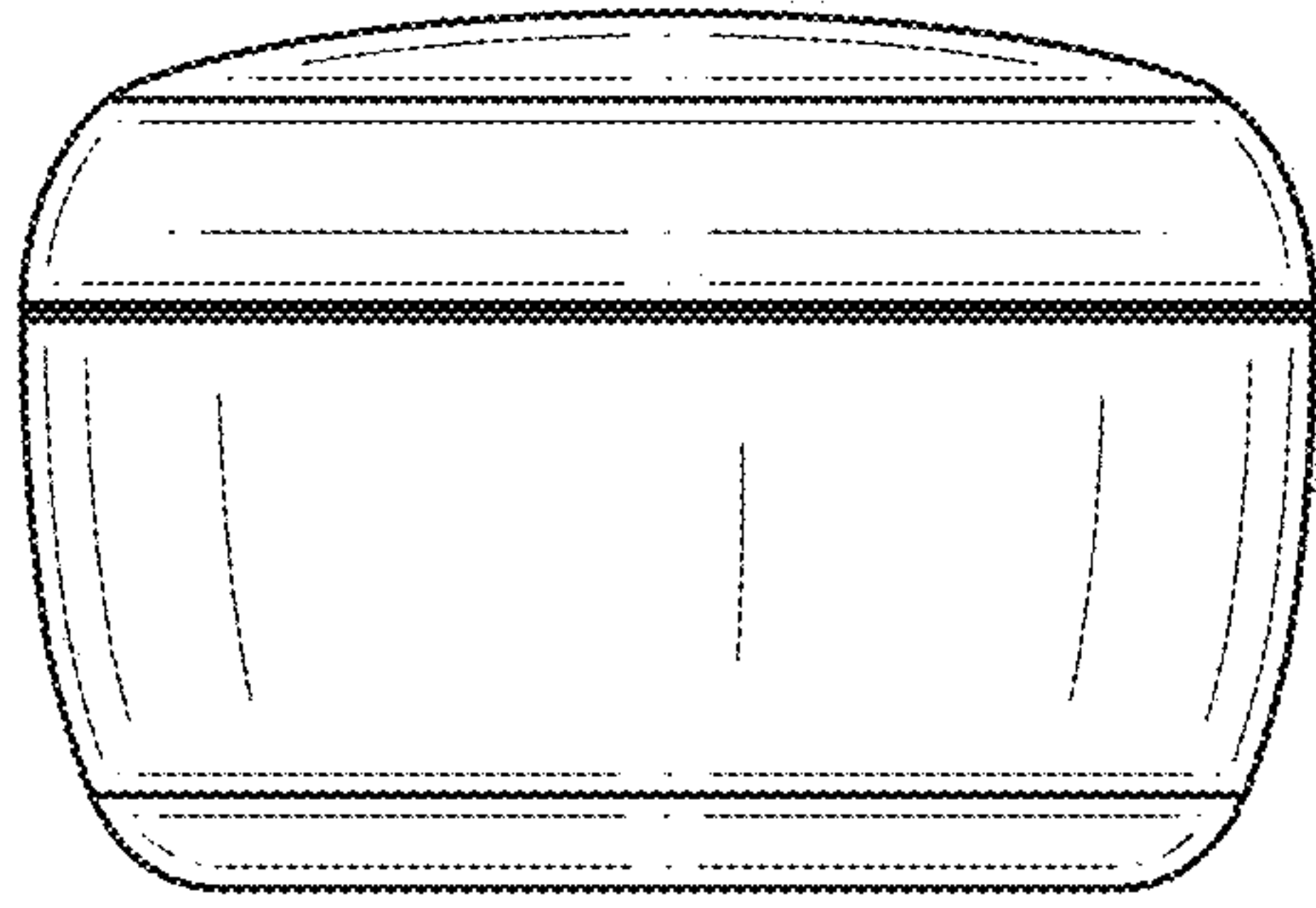


FIG. 6

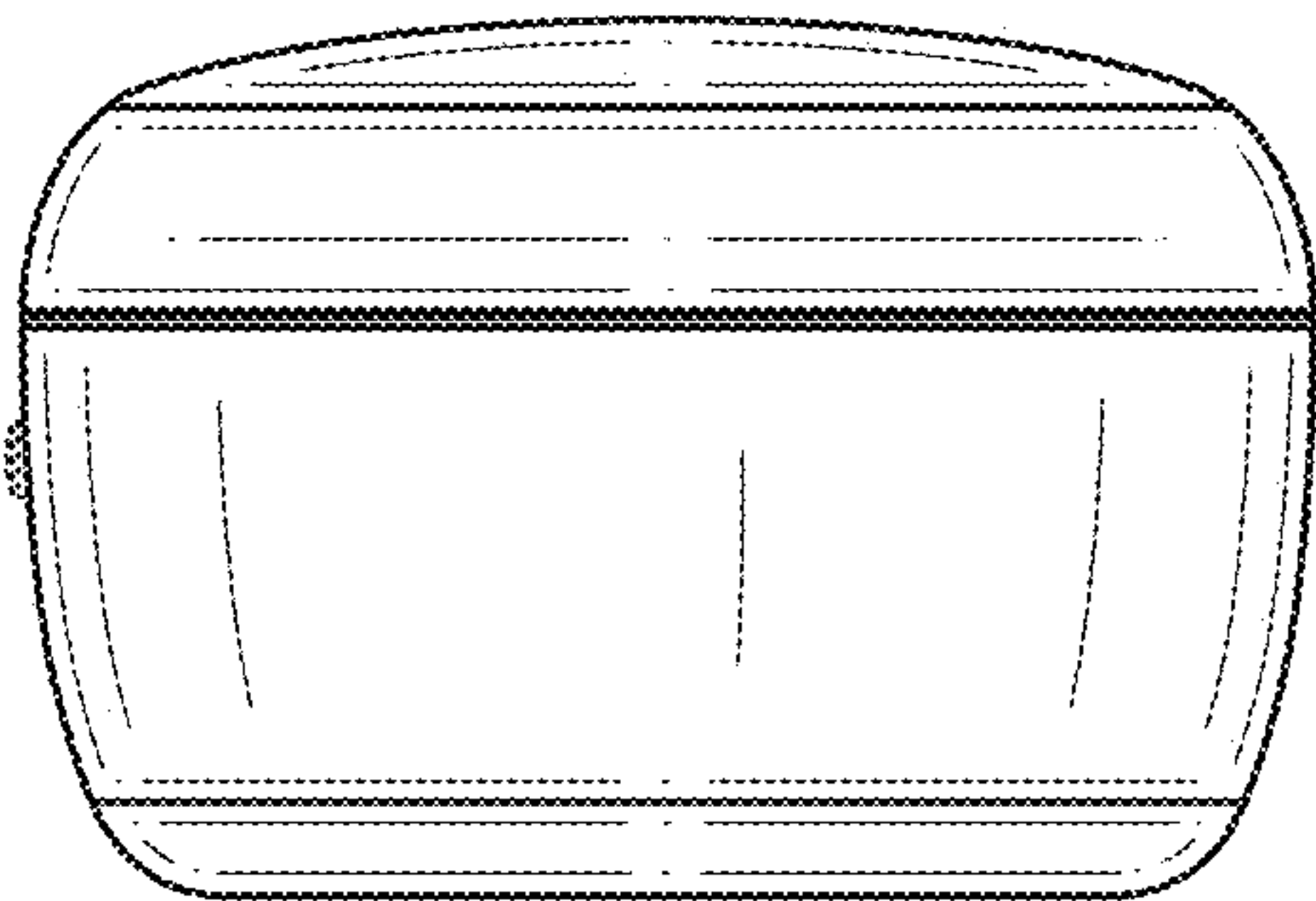


FIG. 7