



US00D886452S

(12) **United States Design Patent**  
**Thompson**

(10) **Patent No.:** **US D886,452 S**  
(45) **Date of Patent:** **\*\* Jun. 9, 2020**

- (54) **PORTABLE CINEMA CASE**
- (71) Applicant: **Canyon Party Rental, LLC**, Lehi, UT (US)
- (72) Inventor: **Christopher M. Thompson**, Highland, UT (US)
- (73) Assignee: **CANYON PARTY RENTAL, LLC**, Lehi, UT (US)

- D459,882 S 7/2002 Yuen
  - D476,152 S \* 6/2003 Lee ..... D14/168
  - D515,314 S 2/2006 Stantial
  - 7,367,571 B1 5/2008 Nichols
  - D578,996 S \* 10/2008 Sutton ..... D14/172
  - 8,604,752 B2 \* 12/2013 Cole, Jr. .... H04B 1/20  
320/114
  - 8,622,554 B1 1/2014 Toutoungi
  - D709,287 S \* 7/2014 Shitrit ..... D3/279
  - 9,566,704 B1 \* 2/2017 Stoikos ..... B25H 3/02
- (Continued)

- (\*\*) Term: **15 Years**
- (21) Appl. No.: **29/700,322**
- (22) Filed: **Aug. 1, 2019**

**OTHER PUBLICATIONS**

U.S. Appl. No. 29/642,431, filed Mar. 29, 2018, Thompson.  
(Continued)

*Primary Examiner* — April Rivas  
(74) *Attorney, Agent, or Firm* — Workman Nydegger

**Related U.S. Application Data**

- (62) Division of application No. 29/642,431, filed on Mar. 29, 2018, now Pat. No. Des. 860,646.
- (51) **LOC (12) Cl.** ..... **03-01**
- (52) **U.S. Cl.**  
USPC ..... **D3/274; D3/279; D14/168**
- (58) **Field of Classification Search**  
USPC ..... D3/273, 274, 276, 279, 281, 282, 291,  
D3/294, 298, 905, 302, 272, 289;  
D14/172, 168  
CPC B65D 21/0233; B65D 21/0222; B25H 3/003;  
B25H 3/006; B25H 3/02; B25H 3/023;  
H02G 3/10; H02G 3/12; H04B 1/086;  
H04B 1/20  
See application file for complete search history.

(57) **CLAIM**

The ornamental design for a portable cinema case, as shown and described.

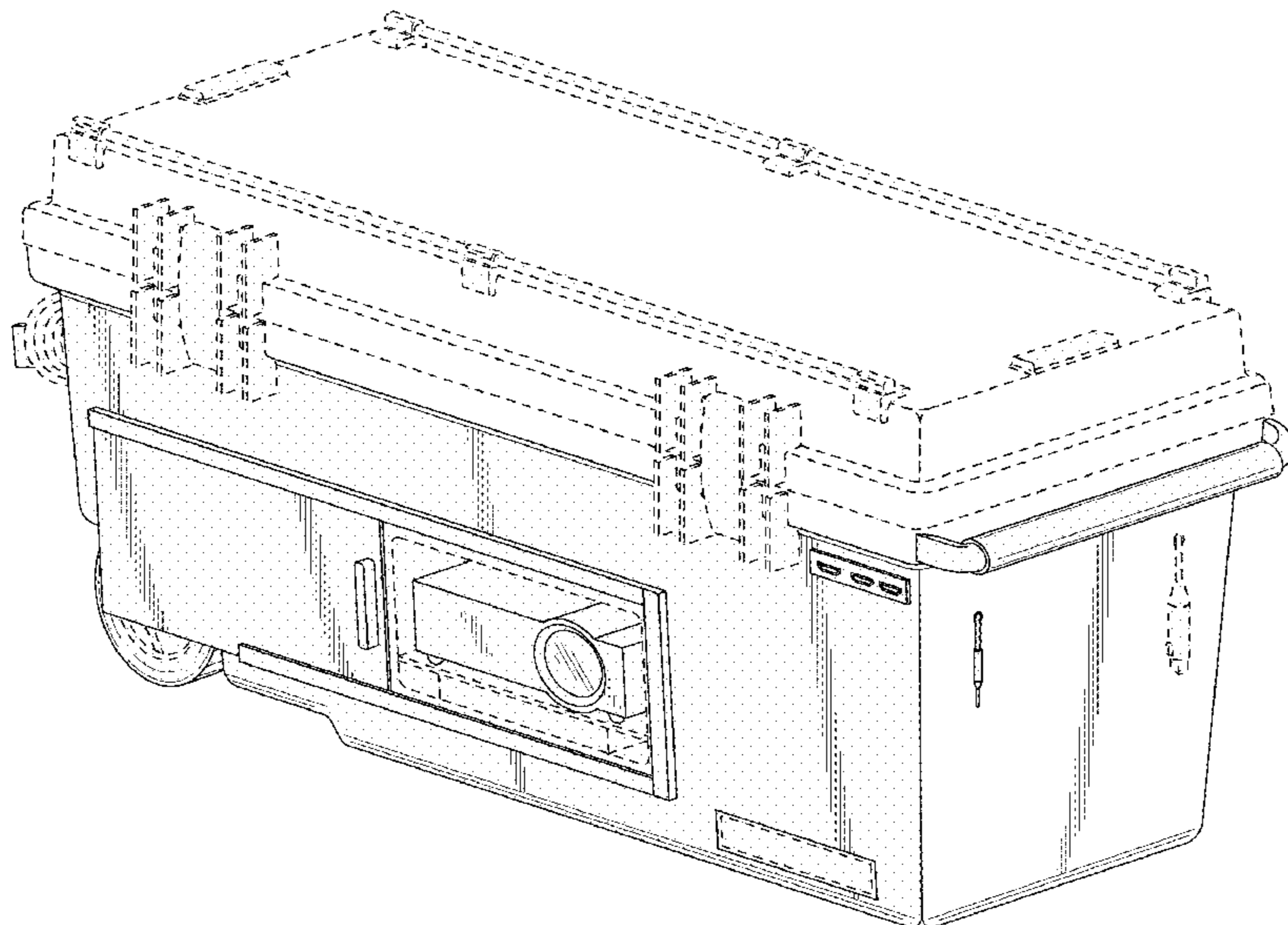
**DESCRIPTION**

FIG. 1 is a front perspective a portable cinema case.  
 FIG. 2 is a rear perspective view of the portable cinema case of FIG. 1.  
 FIG. 3 is a front view of the portable cinema case of FIG. 1.  
 FIG. 4 is a rear view of the portable cinema case of FIG. 1.  
 FIG. 5 is a top view of the portable cinema case of FIG. 1.  
 No bottom view is shown, as no claim is made to the design of the bottom of the portable cinema case.  
 FIG. 6 is a left side view of the portable cinema case of FIG. 1; and,  
 FIG. 7 is a right side view of the portable cinema case of FIG. 1.  
 The broken lines illustrate portions of the portable cinema case that form no part of the claimed design.

(56) **References Cited**  
**U.S. PATENT DOCUMENTS**

- 4,571,740 A \* 2/1986 Kirby ..... A45C 11/20  
206/216
- D375,311 S \* 11/1996 Keseling ..... D14/168
- 5,810,168 A 9/1998 Eggering
- D441,531 S 5/2001 Lee

**1 Claim, 7 Drawing Sheets**



(56)

**References Cited**

U.S. PATENT DOCUMENTS

D792,094	S	7/2017	Stoikos et al.	
D805,357	S *	12/2017	Li .....	D7/605
D808,164	S	1/2018	Summers	
D833,744	S	11/2018	Yahav et al.	
D837,515	S	1/2019	Shpitzer	
2003/0139169	A1 *	7/2003	Arreazola, Jr. ....	H04B 1/086 455/344
2004/0036845	A1	2/2004	Hoffmeister	
2005/0083486	A1	4/2005	Johnson	
2017/0129097	A1 *	5/2017	Engvall .....	B25H 3/02
2018/0229358	A1 *	8/2018	Bozzano .....	B25H 3/02

OTHER PUBLICATIONS

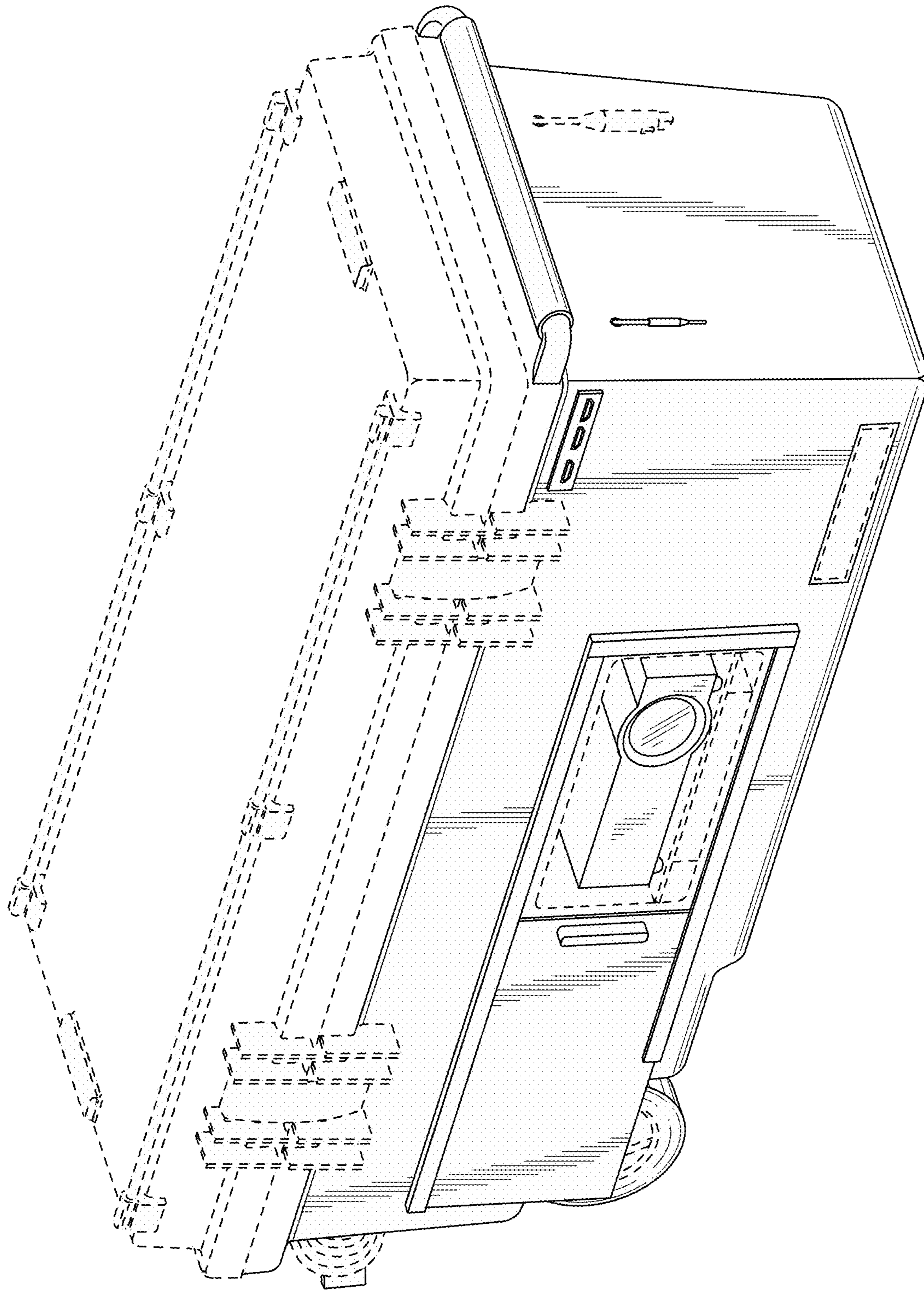
Home Depot, "Stanley Essential 19 in. 3-in-1 Detachable Tool Box Mobile Work Center", First reviewed Sep. 12, 2017. (<https://www.homedepot.com/p/Stanley-Essential-19-in-3-in-1-Detachable-Tool-Box-Mobile-Work-Center-STST18631/301751638>) (Year: 2017).

Canyon Party Rental, "Inflatable Outdoor Cinema Rental Salt Lake City", Accessed Mar. 13, 2019. (<https://www.canyonpartyrental.com/inflatable-cinema/>) (Year: 2019).

Overstock, "Ultra Compact Collapsible Rolling Trolley Storage Bin Quick Cart . . . ", First reviewed Nov. 3, 2018. (<https://www.overstock.com/Home-Garden/Ultra-Compact-Collapsible-Rolling-Trolley-Storage-Bin-Quick-Cart-19-in.-x-17-in.-x-21-in./14990631/product.html>) (Year: 2018).

U.S. Appl. No. 29/642,431, dated Mar. 18, 2019, Restriction Requirement.

\* cited by examiner



**FIG. 1**

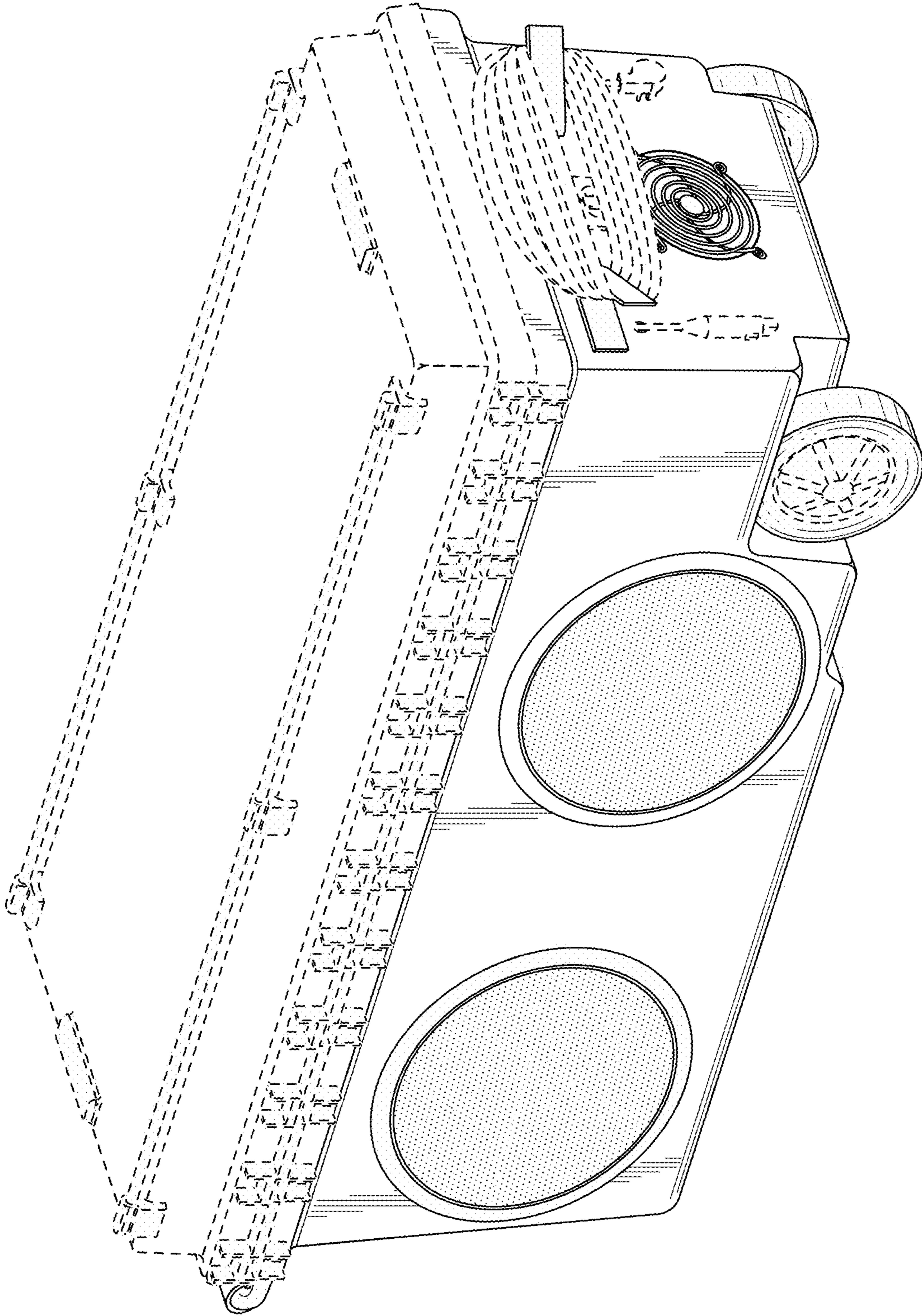


FIG. 2

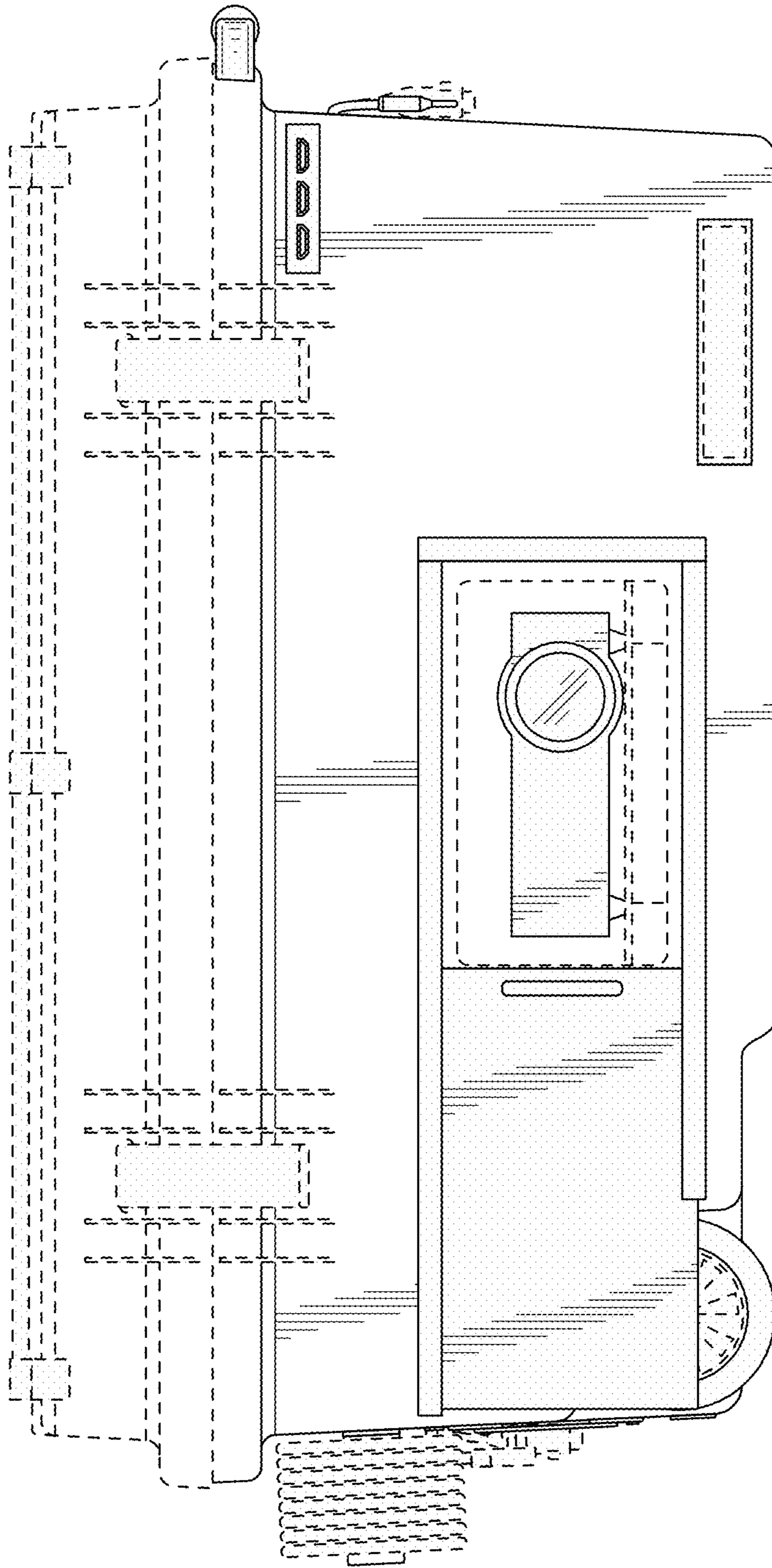
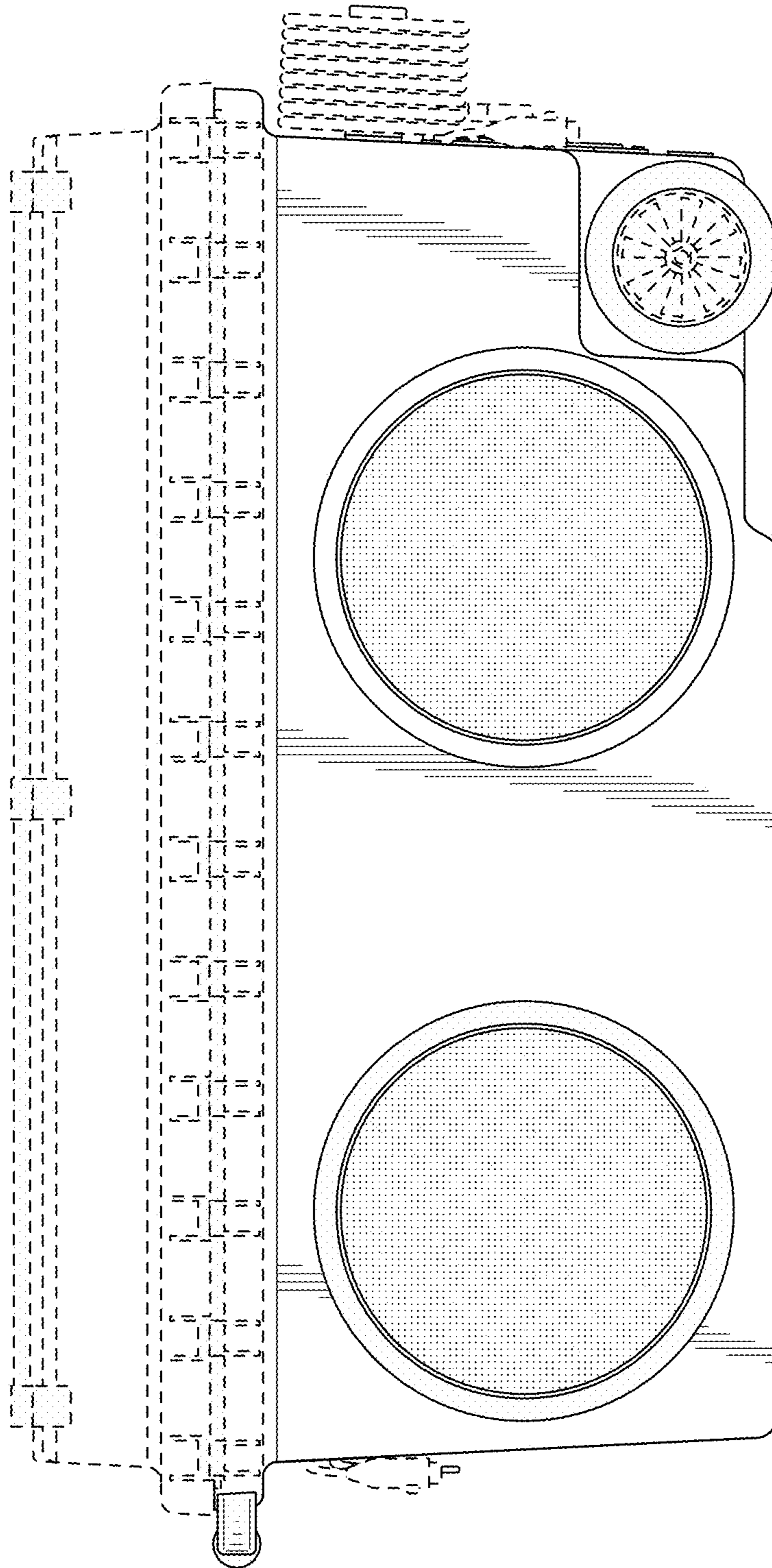
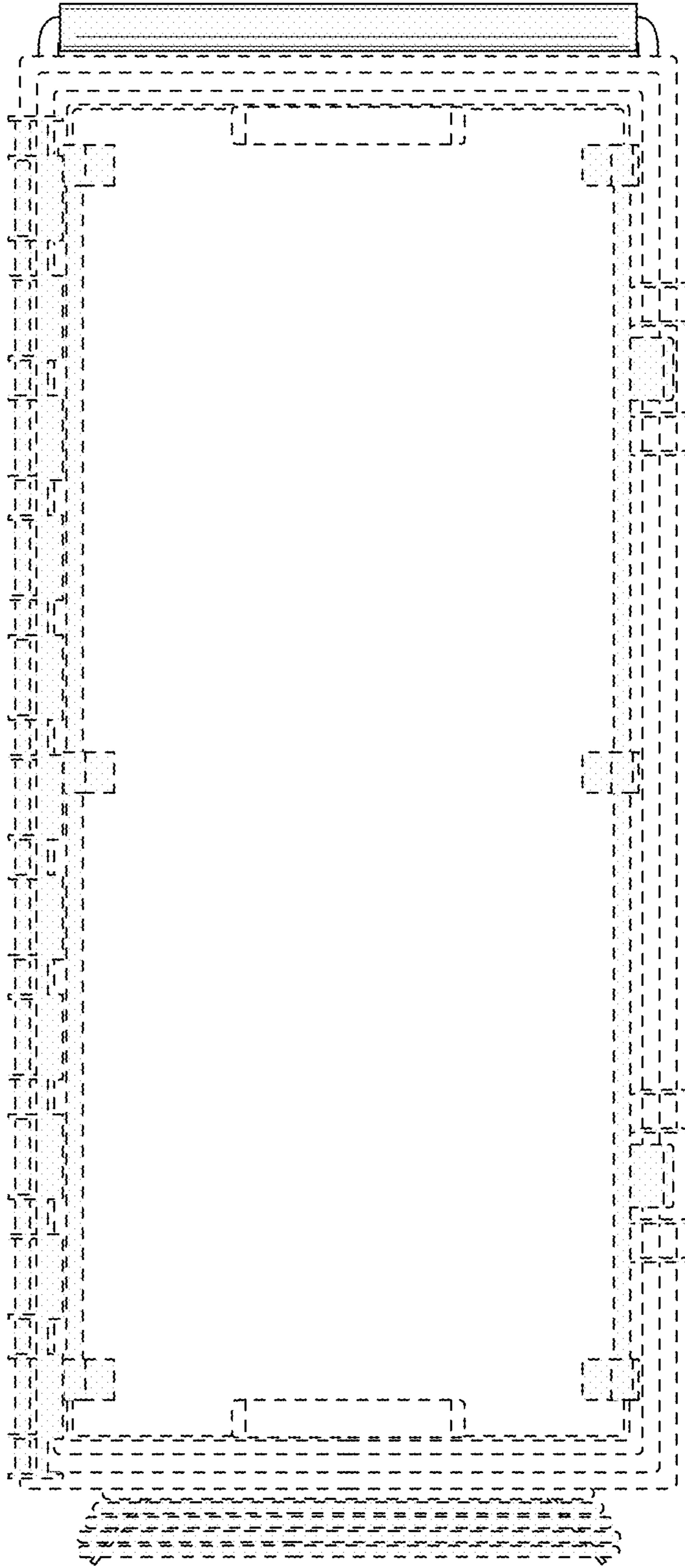


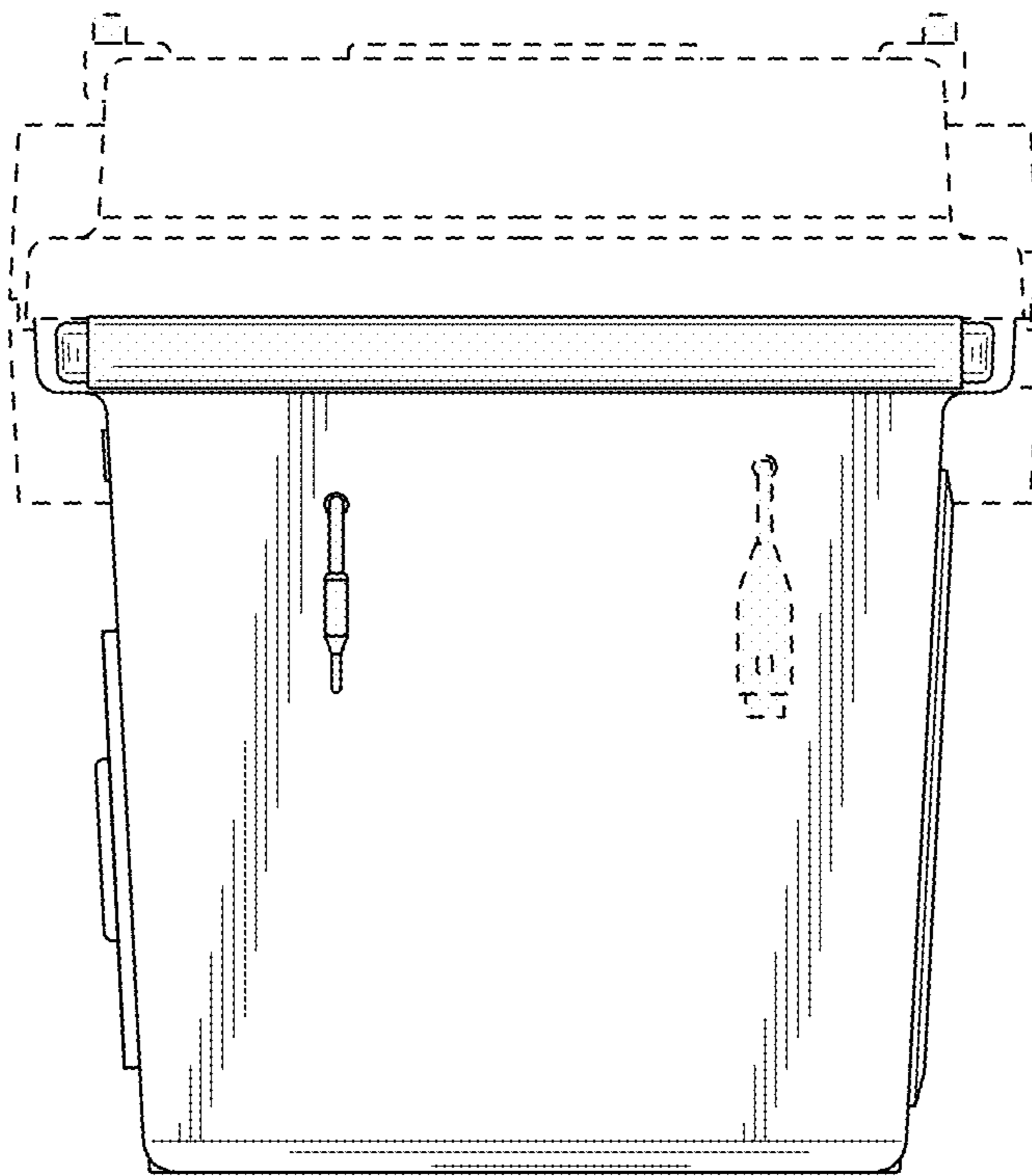
FIG. 3



**FIG. 4**

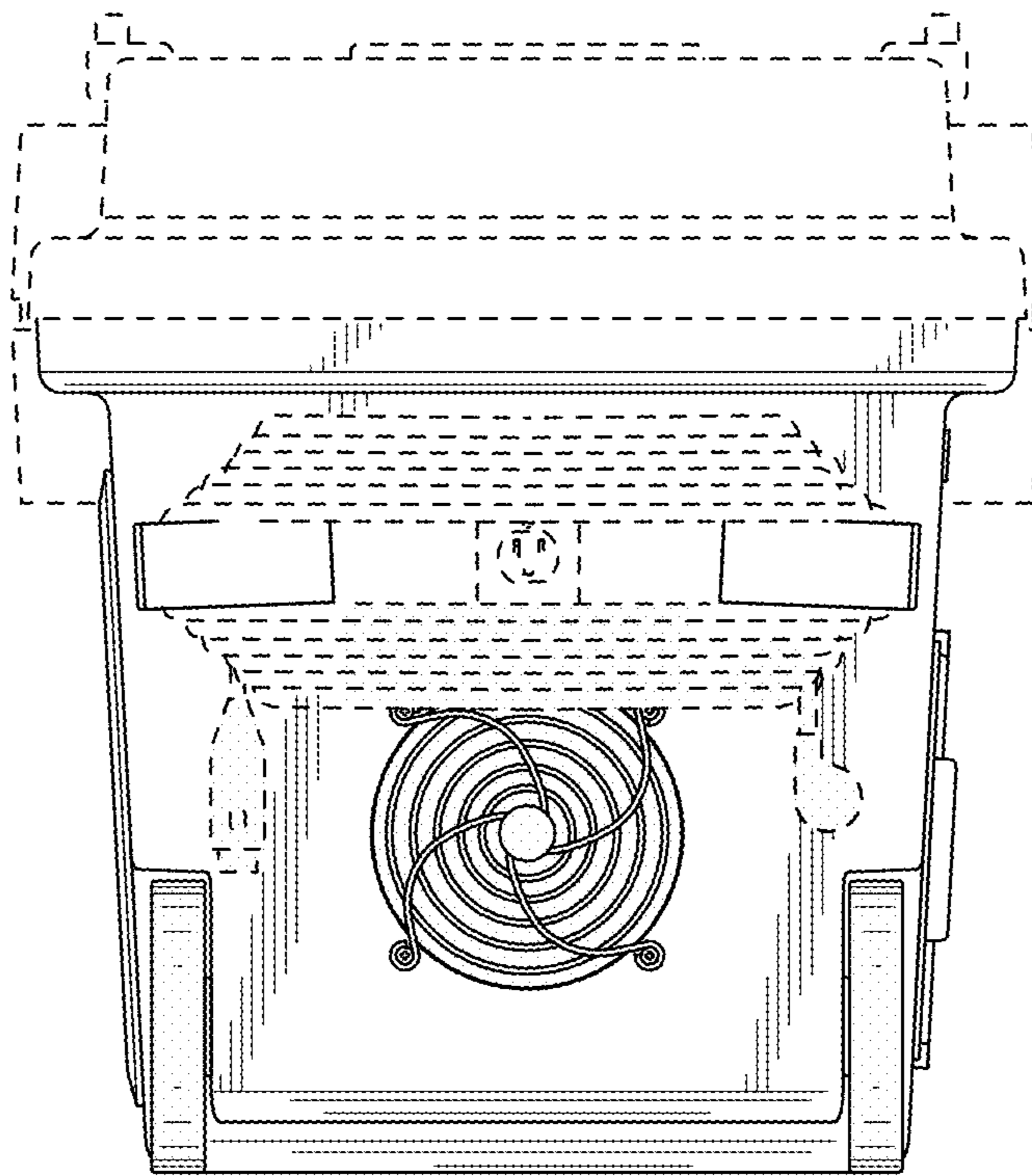


**FIG. 5**



**FIG. 6**





**FIG. 7**