



US00D886451S

(12) **United States Design Patent** (10) **Patent No.:** **US D886,451 S**
Plehn et al. (45) **Date of Patent:** **** Jun. 9, 2020**

(54) **MONITOR CASE**
(71) Applicant: **Foam Plastics and Rubber Products, Corp.**, Anaheim, CA (US)
(72) Inventors: **Justin Plehn**, Orange, CA (US); **Brent Plehn**, Yorba Linda, CA (US); **Darren Plehn**, Orange, CA (US); **Kirk Plehn**, Orange, CA (US)

6,145,661 A 11/2000 Jung
D560,361 S * 1/2008 Huang D3/301
D565,298 S * 4/2008 Braun D3/273
7,500,561 B2 * 3/2009 Matias A45C 13/02
206/320
D591,046 S * 4/2009 Lee D3/285
D728,031 S * 4/2015 Mercier D21/333
9,333,423 B2 5/2016 Mercier et al.
9,636,579 B2 5/2017 Mercier et al.
D796,843 S * 9/2017 Connor D3/285
(Continued)

(73) Assignee: **Foam Plastics and Rubber Products, Corp.**, Anaheim, CA (US)

(**) Term: **15 Years**

(21) Appl. No.: **29/680,037**

(22) Filed: **Feb. 12, 2019**

(51) **LOC (12) Cl.** **03-01**

(52) **U.S. Cl.**
USPC **D3/274**; D3/318; D14/129

(58) **Field of Classification Search**
USPC D3/201, 203.1, 203.2, 273, 274, 284,
D3/285, 291, 289, 302, 276, 294, 295,
D3/298, 318, 901, 902, 903, 270;
D24/217; D14/129

CPC ... A45C 5/00; A45C 2011/001; A45C 13/002;
A45C 5/08; A45C 11/00; H04R 1/1025;
H04R 1/1033; A61L 2/10; A61L 2/084
See application file for complete search history.

(56) **References Cited**

U.S. PATENT DOCUMENTS

5,002,184 A 3/1991 Lloyd
5,894,914 A 4/1999 Jubin
D414,751 S * 10/1999 Yogalingam D14/335
5,960,952 A * 10/1999 Chen A45C 13/36
190/125
6,073,770 A 6/2000 Park
D432,311 S * 10/2000 Weinreb D3/284

OTHER PUBLICATIONS

Amazon, "GAEMS G155 Sentry Personal Gaming Environment", Release date Jan. 8, 2013. (<https://www.amazon.com/Sentry-Personal-Gaming-Environment-playstation-4/dp/B00A7VK16A>)(Year: 2013).*
(Continued)

Primary Examiner — April Rivas

(74) *Attorney, Agent, or Firm* — Cionca IP Law P.C.;
Marin Cionca

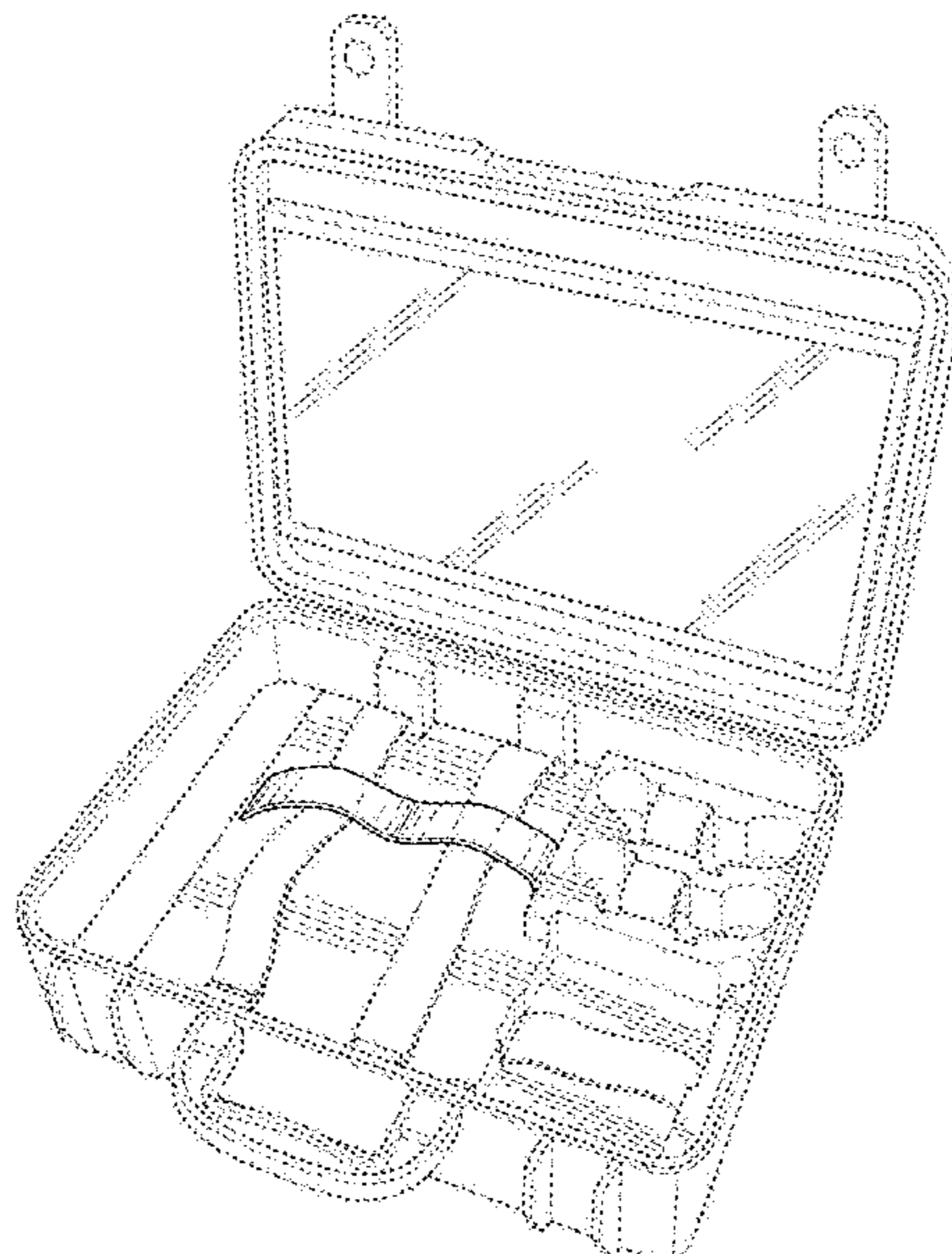
(57) **CLAIM**

The ornamental design for a monitor case, as shown and described.

DESCRIPTION

FIG. 1 is a right perspective view of the monitor case showing the new design in a first state in which the lid of the monitor case is open, such that the monitor and inner design features of the base can be seen;
FIG. 2 is a left perspective view thereof;
FIG. 3 is a top plan view thereof;
FIG. 4 is a front elevation view thereof; and,
FIG. 5 is a right perspective view of the monitor case in a second state in which the lid of the monitor case is closed. The broken lines and unshaded surfaces bounded by broken lines form no part of the claimed design.

1 Claim, 5 Drawing Sheets



(56)

References Cited

U.S. PATENT DOCUMENTS

9,855,507 B2 1/2018 Mercier et al.
2011/0092294 A1* 4/2011 Mercier A63F 13/90
463/46

OTHER PUBLICATIONS

Case Club, "Xbox One X/S Portable Gaming Station with Built-in Monitor, Gen 2", First reviewed Jun. 10, 2019. (<https://www.caseclub.com/product/xbox-one-x-s-portable-gaming-station-with-built-in-monitor/>) (Year: 2019).*

* cited by examiner

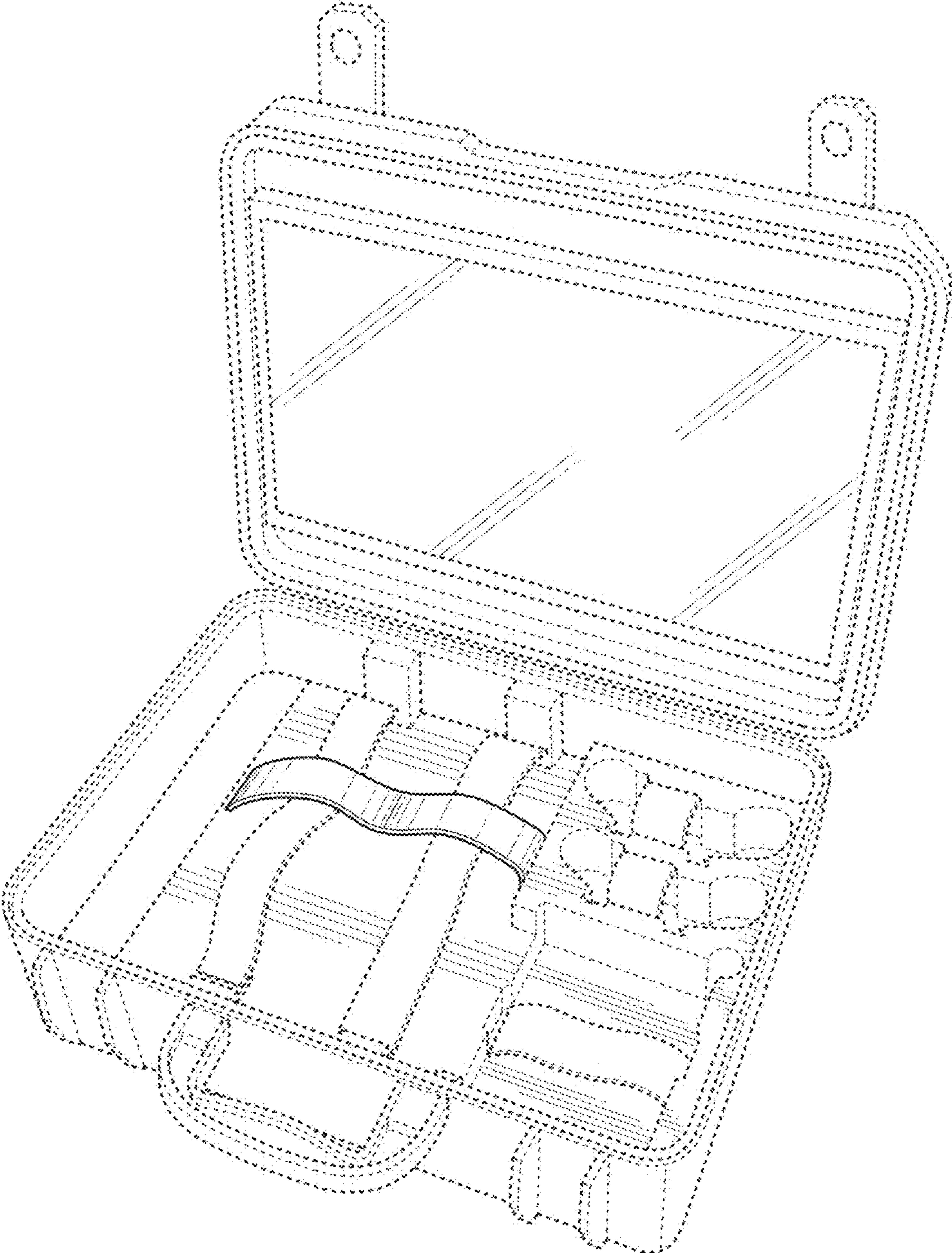


FIG. 1

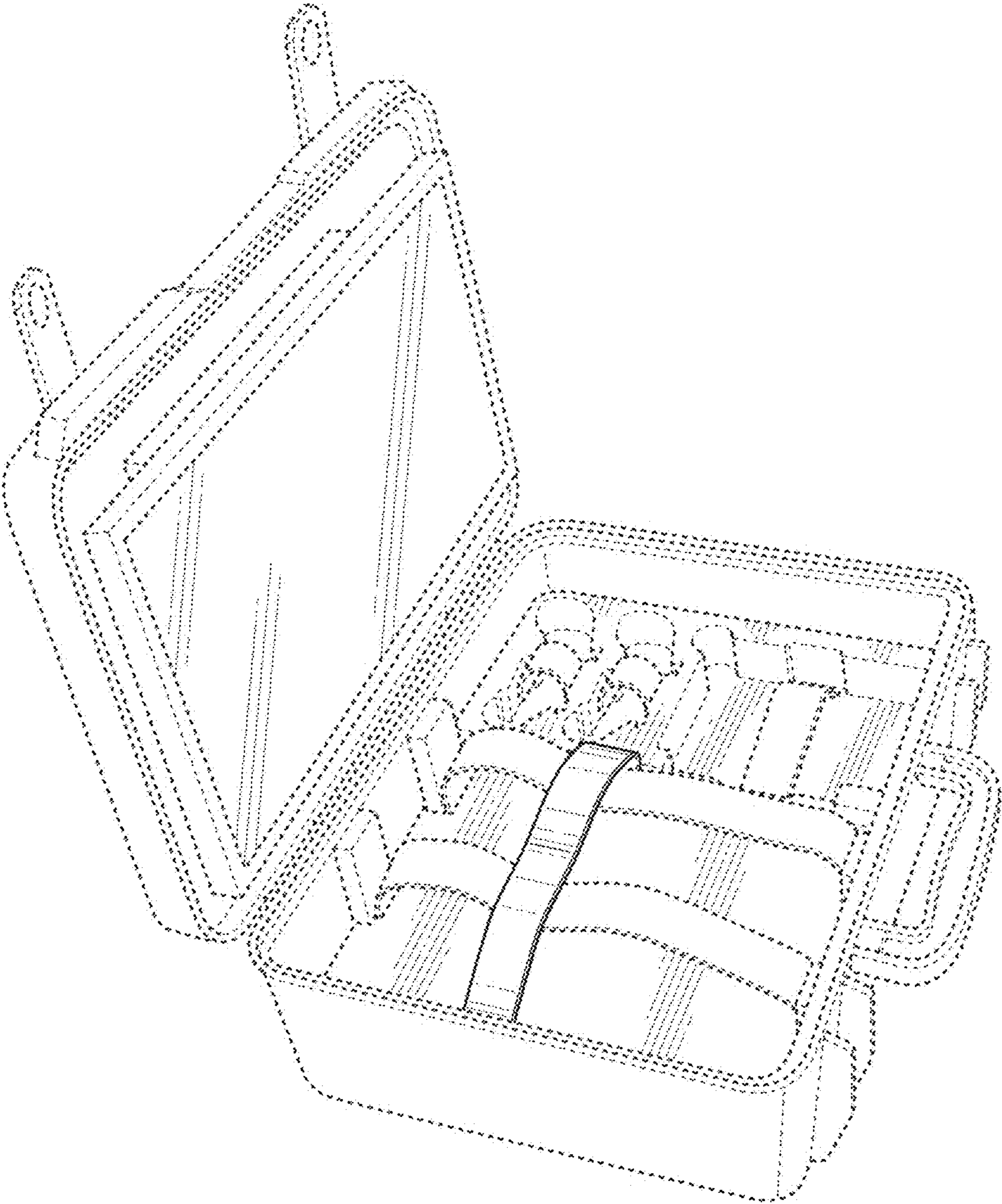


FIG. 2

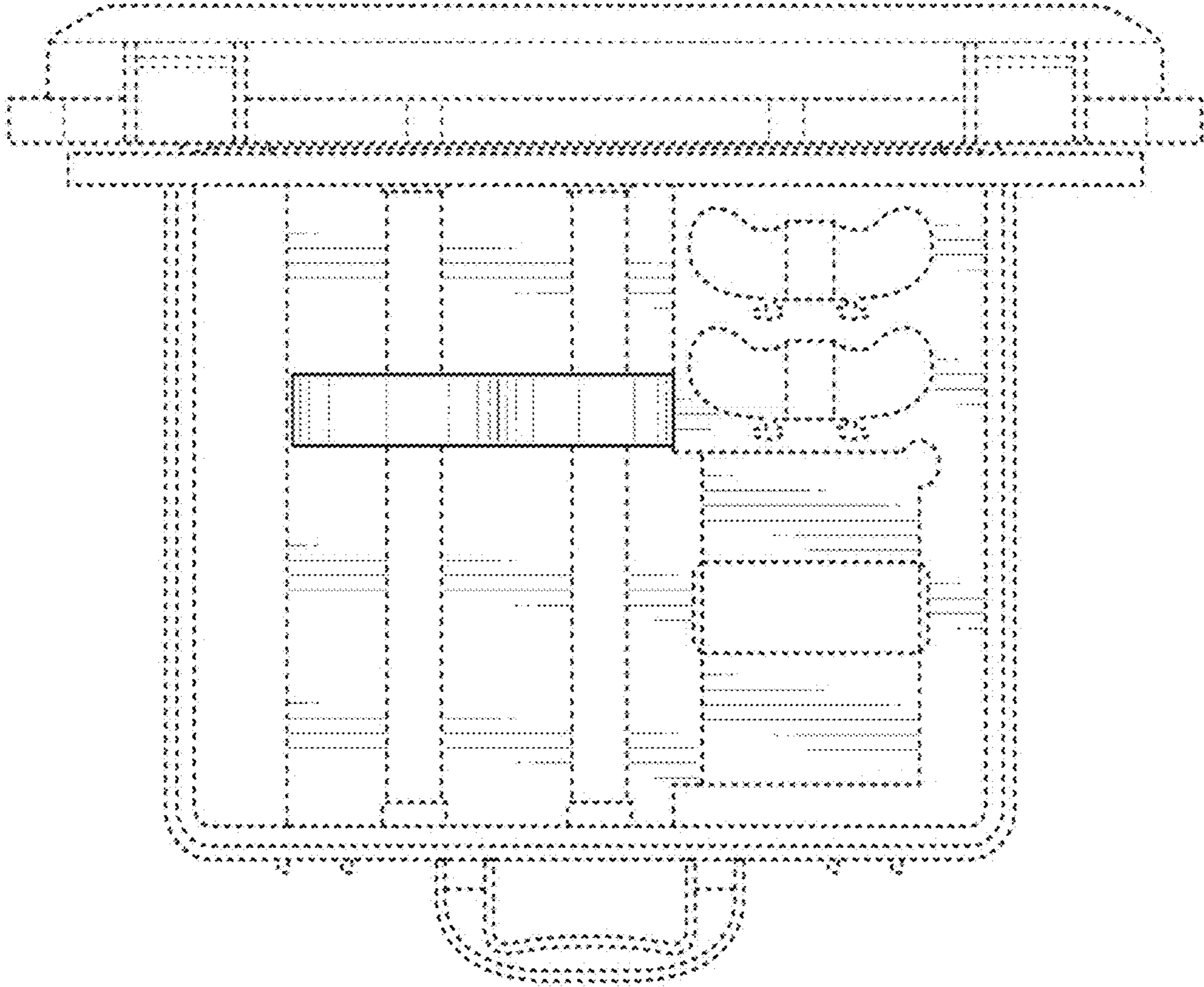


FIG. 3

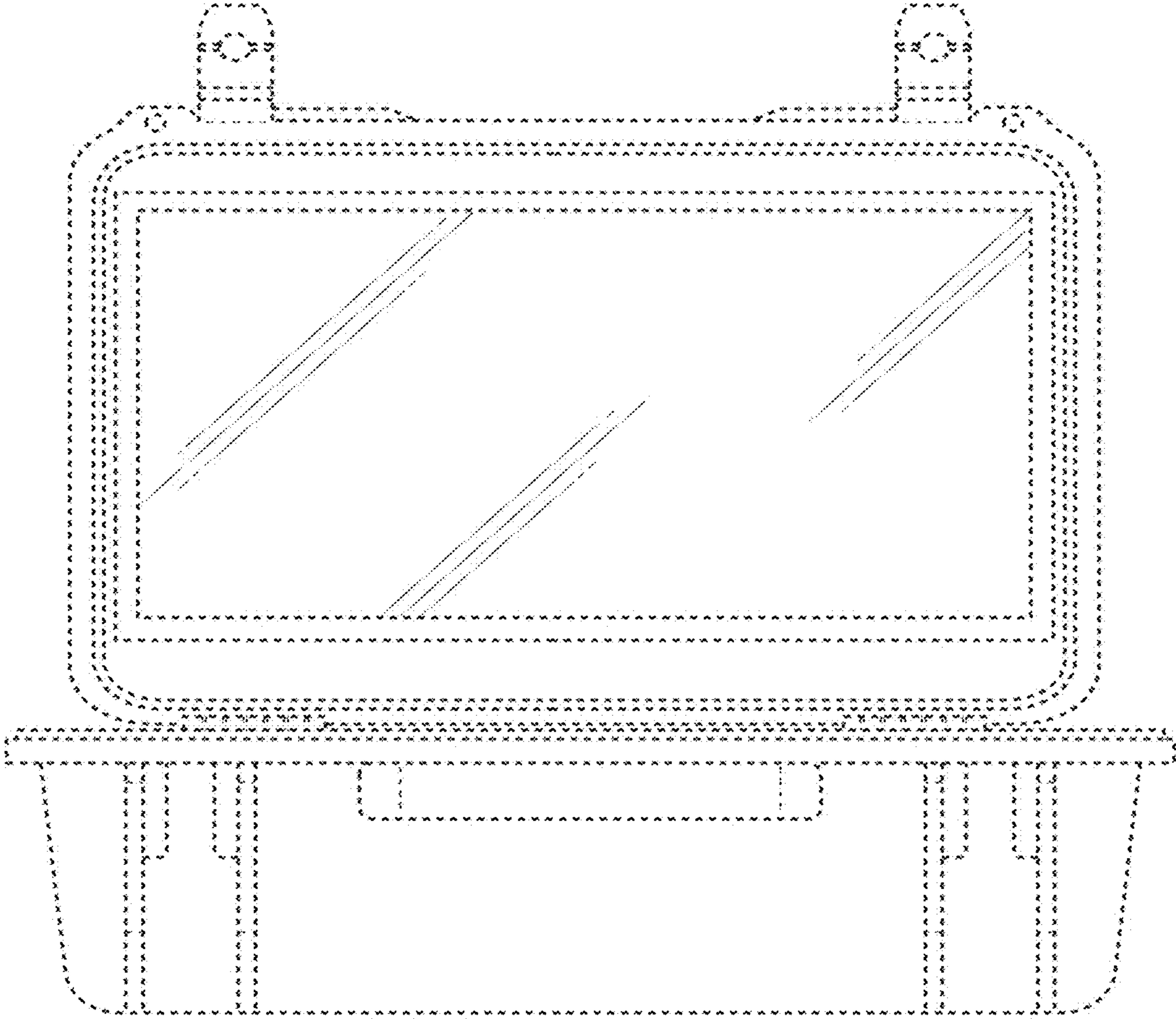


FIG. 4

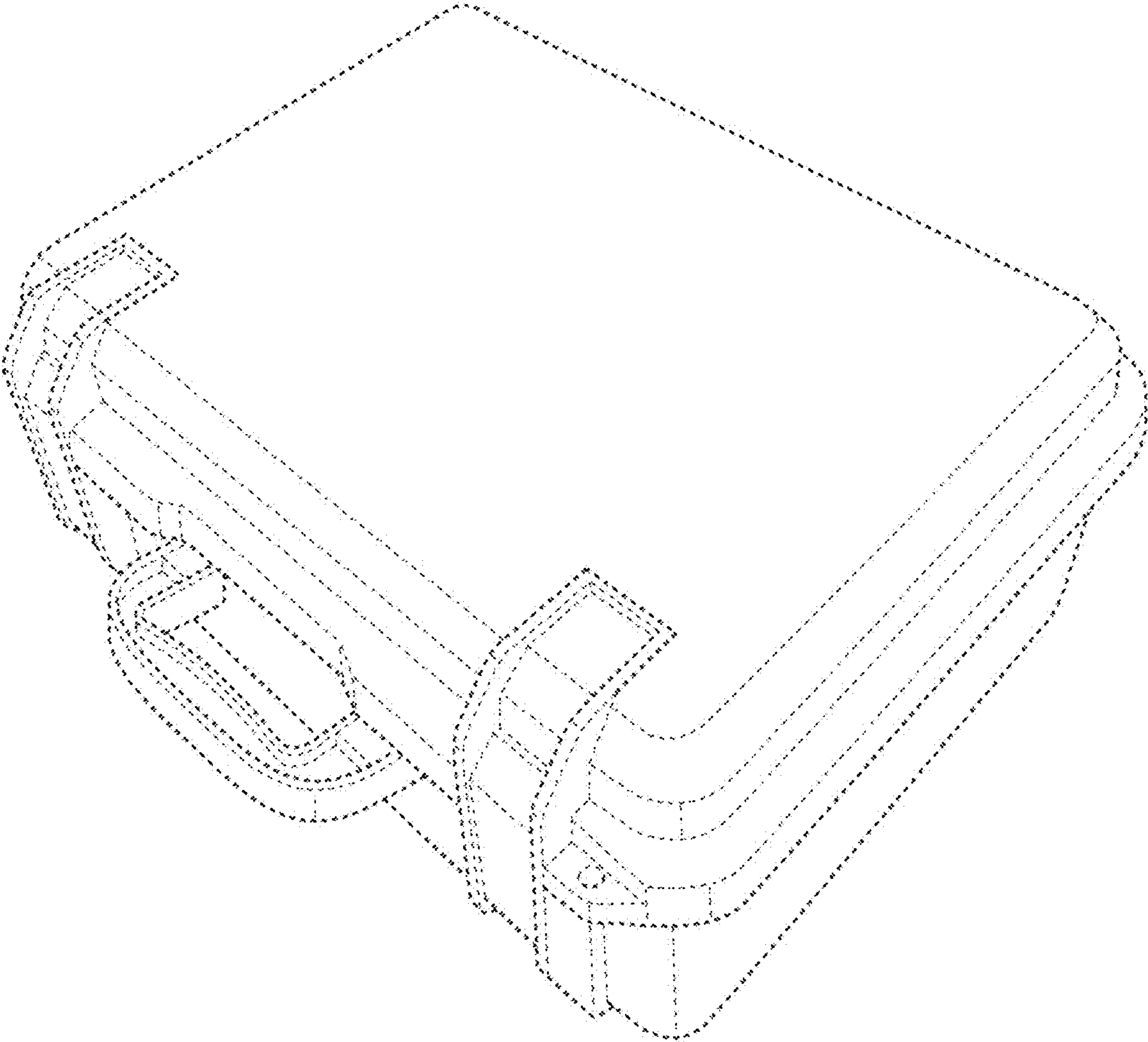


FIG. 5