



US00D886448S

(12) **United States Design Patent**
Zhang

(10) **Patent No.:** **US D886,448 S**

(45) **Date of Patent:** **** Jun. 9, 2020**

(54) **FOLDING CASE**

(71) Applicant: **Yu Long Zhang**, Brooklyn, NY (US)

(72) Inventor: **Yu Long Zhang**, Brooklyn, NY (US)

(**) Term: **15 Years**

(21) Appl. No.: **29/686,906**

(22) Filed: **Apr. 9, 2019**

(51) **LOC (12) Cl.** **03-01**

(52) **U.S. Cl.**
USPC **D3/226; D3/218**

(58) **Field of Classification Search**
USPC D3/218-219, 215, 226, 228, 247-248,
D3/269, 301, 303; 224/240-241, 245,
224/578, 674, 676, 681, 901, 904, 930;
206/305, 320, 576, 759, 762; 455/575.1,
455/575.8; D14/248, 253, 250-251
CPC A45F 5/00; A45F 5/02; A45F 5/021; A45F
5/022; A45F 2005/00; A45F 2005/008;
A45F 2005/02; A45F 2200/02; A45F
2200/0516; A45F 2200/0591
See application file for complete search history.

(56) **References Cited**

U.S. PATENT DOCUMENTS

D725,381 S * 3/2015 Zhang D3/218
D756,105 S * 5/2016 Zhang D3/218

D782,816 S * 4/2017 Boyd D3/218
D796,189 S * 9/2017 Zhang D3/218
D805,763 S * 12/2017 Zhang D3/218
D856,677 S * 8/2019 Gill D3/215
D870,455 S * 12/2019 Yang D3/226

* cited by examiner

Primary Examiner — Catherine R Oliver-Garcia
(74) *Attorney, Agent, or Firm* — Lambert Shortell &
Connaughton; Gary E. Lambert; David J. Connaughton

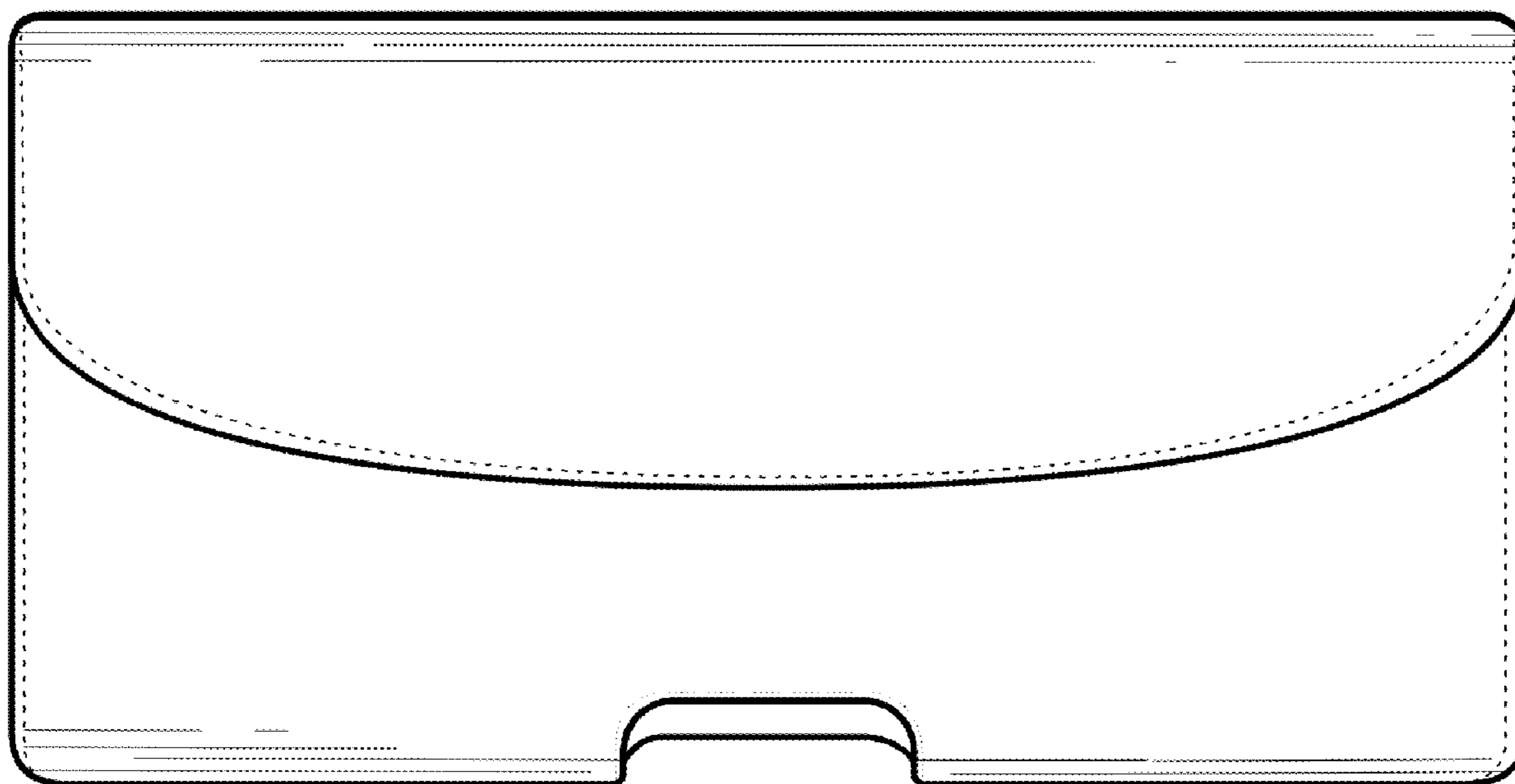
(57) **CLAIM**

The ornamental design for a folding case, as shown and described.

DESCRIPTION

FIG. 1 is a front elevation view of the folding case, which embodies my design;
FIG. 2 is a rear elevation view thereof;
FIG. 3 is a top plan view thereof;
FIG. 4 is a bottom plan view thereof;
FIG. 5 is side elevation view thereof;
FIG. 6 is an opposite side elevation view thereof; and,
FIG. 7 is a front perspective view, with the flap shown open.
The dotted lines shown in the drawings represent stitching.

1 Claim, 3 Drawing Sheets



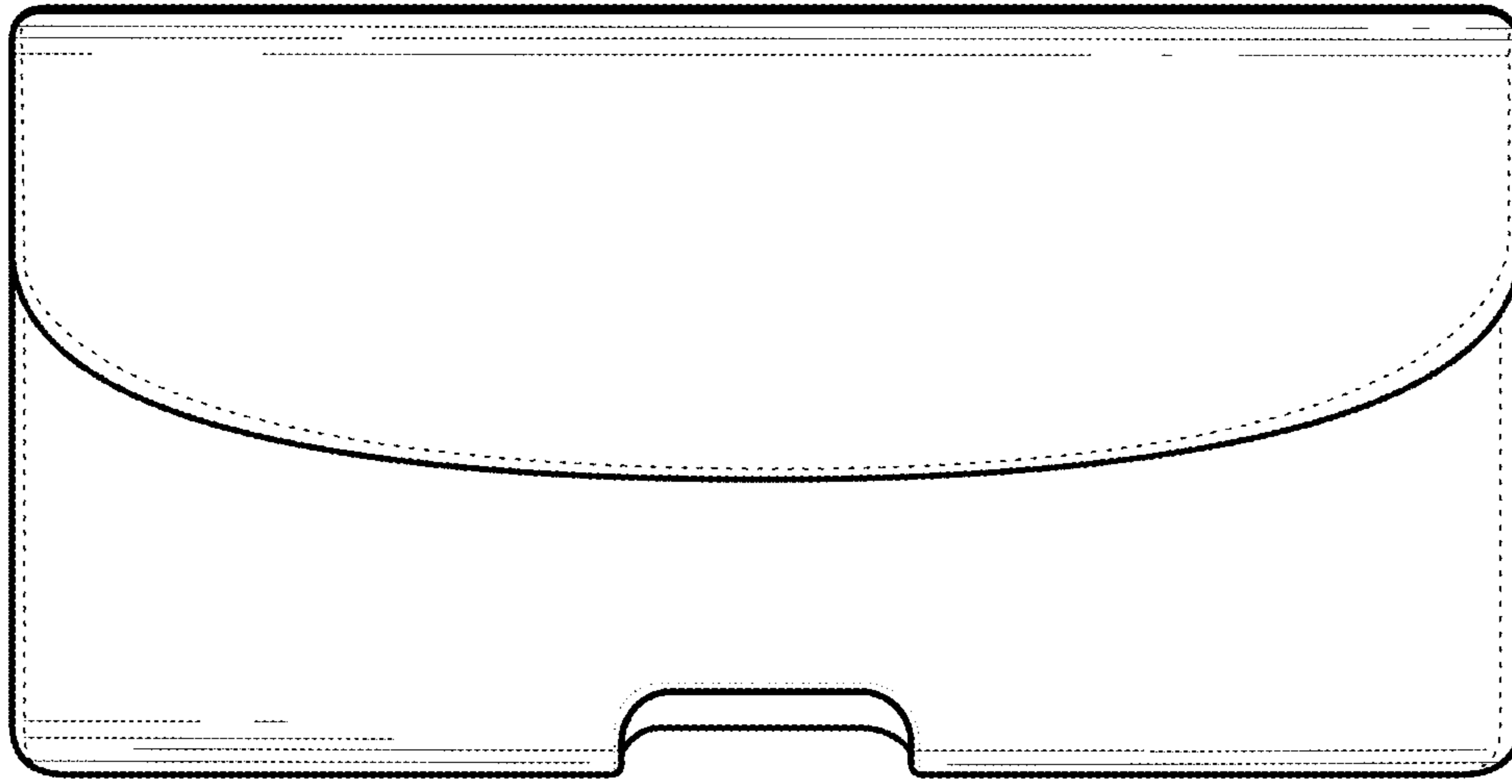


Fig. 1

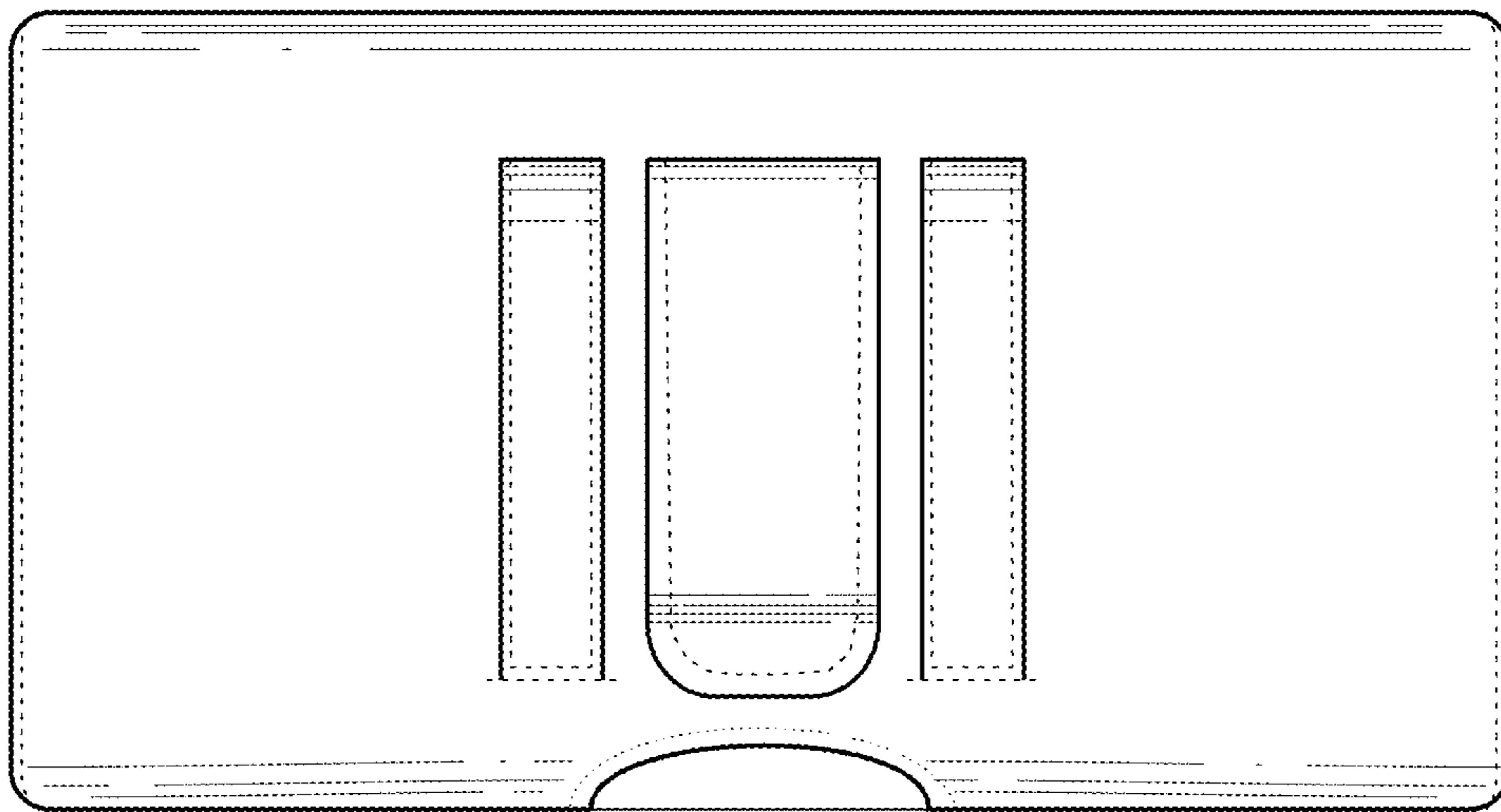


Fig. 2

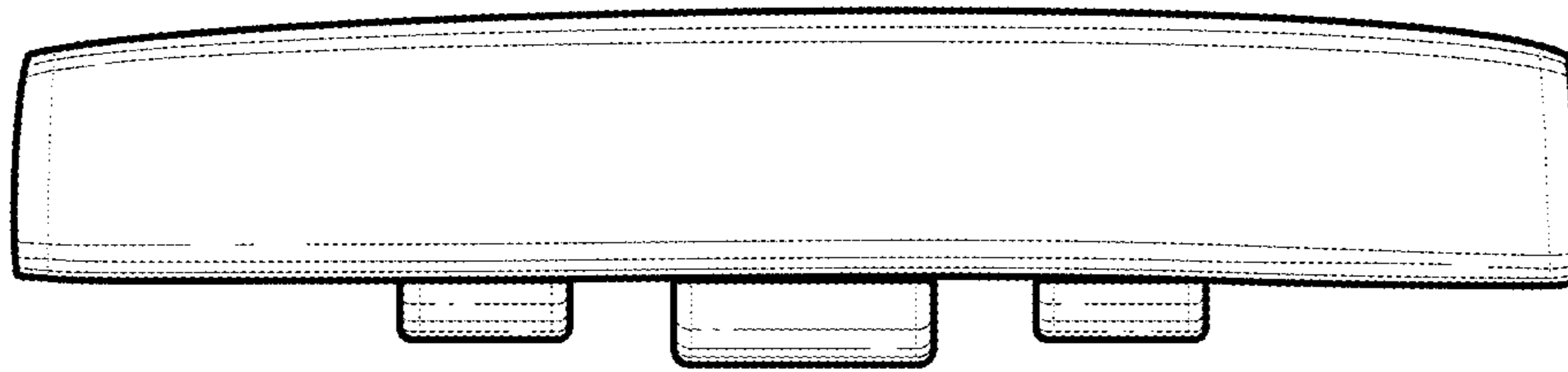


Fig. 3

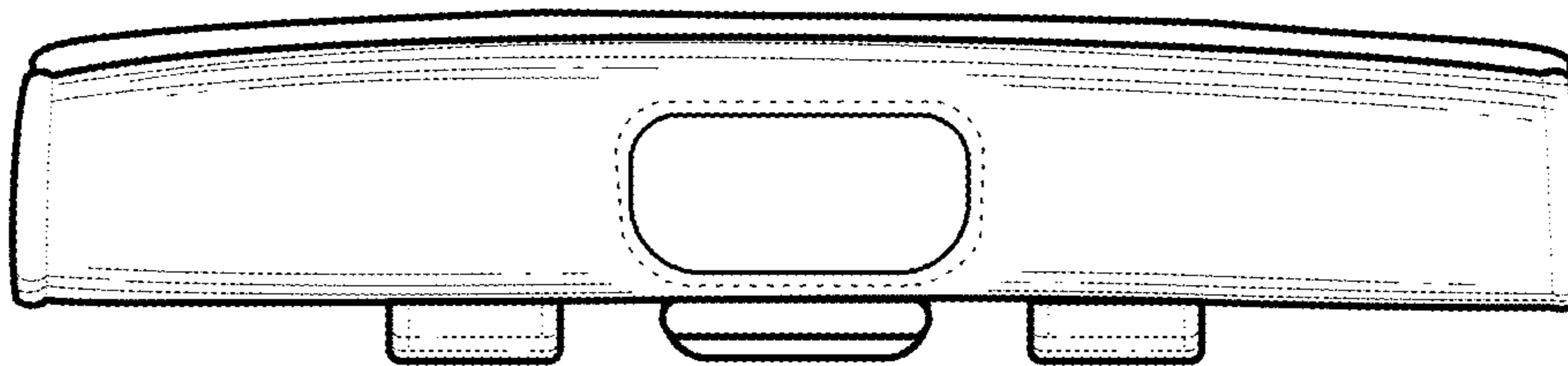


Fig. 4

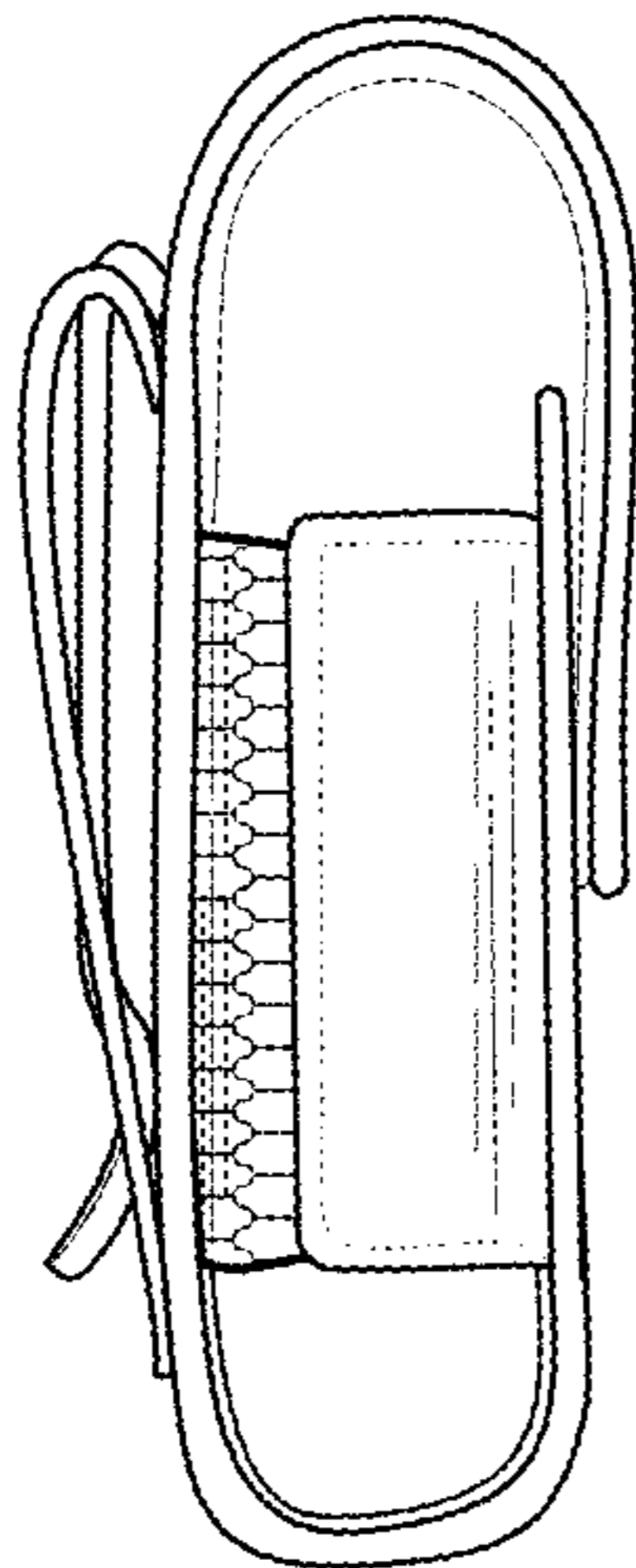


Fig. 5

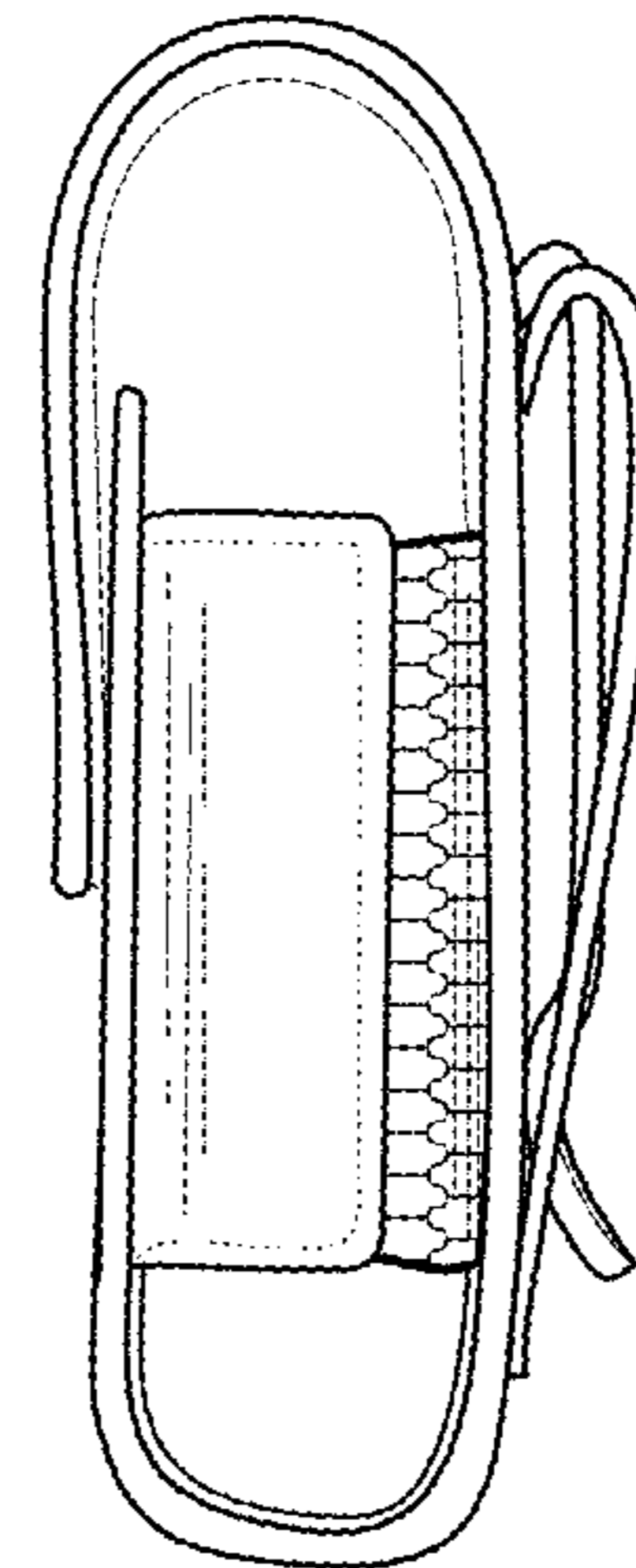


Fig. 6

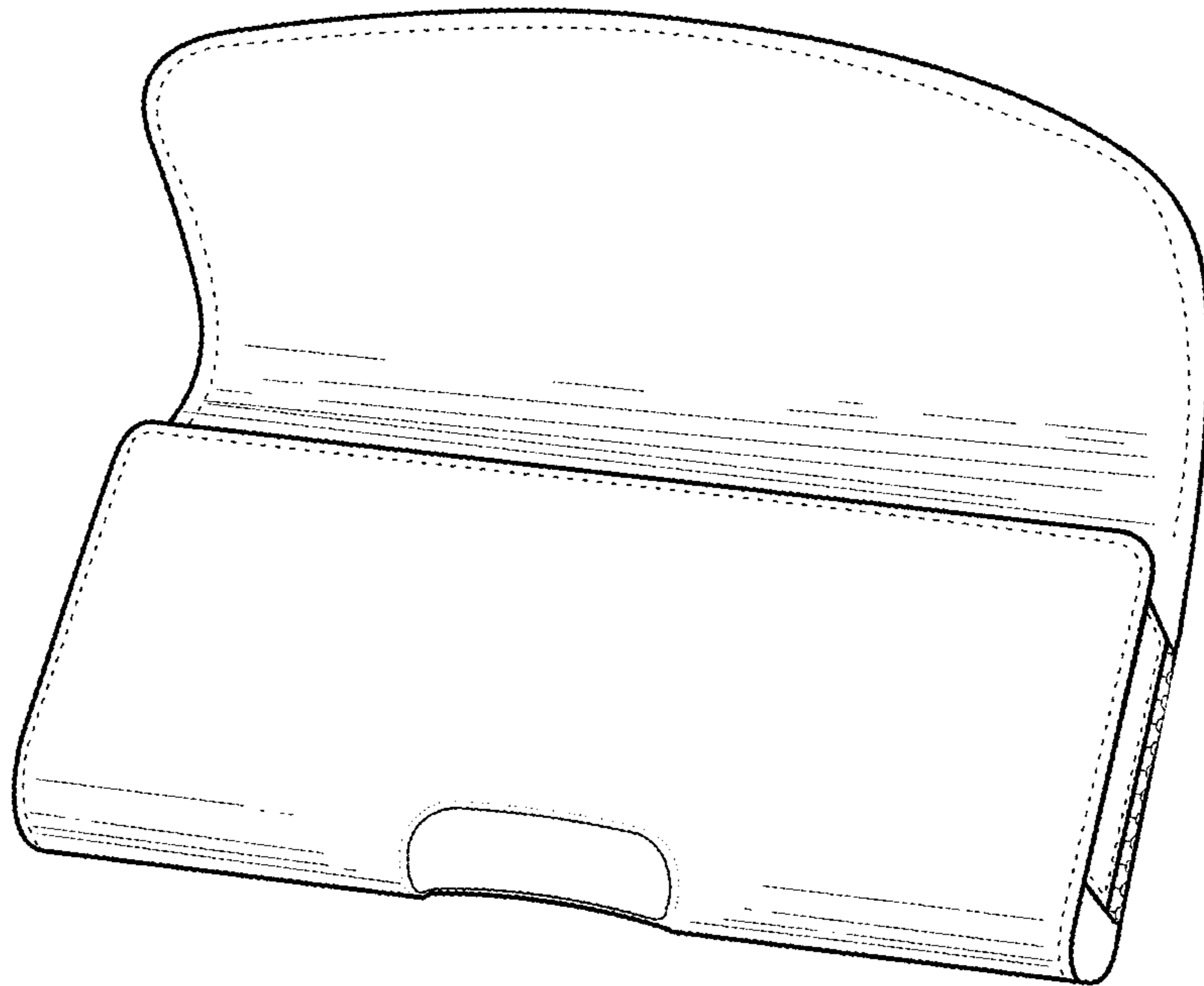


Fig. 7