



US00D886446S

(12) **United States Design Patent** (10) **Patent No.:** **US D886,446 S**
Lee et al. (45) **Date of Patent:** **** Jun. 9, 2020**

(54) **COVER FOR ELECTRONIC DEVICE**

(71) Applicant: **elago CO. LTD**, Goyang-si,
Gyeonggi-do (KR)

(72) Inventors: **Chanwoo Lee**, Goyang-si (KR); **Chong Min Kim**, Seoul (KR)

(73) Assignee: **elago CO. LTD**, Goyang-si,
Gyeonggi-Do (KR)

(**) Term: **15 Years**

(21) Appl. No.: **29/716,867**

(22) Filed: **Dec. 12, 2019**

(51) **LOC (12) Cl.** **03-01**

(52) **U.S. Cl.**
USPC **D3/218**

(58) **Field of Classification Search**
USPC D3/218, 271.1, 271.8, 299, 302; D9/645;
D14/356, 432; 220/288, 662, 669, 675,
220/752, 755, 771; 222/182, 209
CPC B65D 1/02; B65D 1/0223; B65D 1/0246;
B65D 5/46; B65D 41/00; B65D 41/02;
B65D 41/04; B65D 2501/00; B65D
2501/0009

See application file for complete search history.

(56) **References Cited**

U.S. PATENT DOCUMENTS

D193,690 S 9/1962 Hayes
D512,582 S * 12/2005 Scholze D7/392.1
D553,922 S * 10/2007 Fujino D8/14
D570,100 S * 6/2008 Chen D3/218
D643,626 S * 8/2011 Swartz D3/299
D655,759 S * 3/2012 Still D21/333
D666,460 S * 9/2012 Kolano D7/628
D671,411 S * 11/2012 Bourguignon D9/519
D688,136 S 8/2013 Kuo et al.

D688,137 S 8/2013 Kuo et al.
D693,819 S * 11/2013 Cocquyt D14/439
D717,287 S * 11/2014 Macrina D14/250
D818,832 S 5/2018 Caly
D825,346 S 8/2018 Caly
D832,111 S * 10/2018 Lai D9/645
D868,453 S 12/2019 Lee et al.

FOREIGN PATENT DOCUMENTS

CN 300923742 5/2009
CN 303402238 10/2015
CN 303918686 11/2016
CN 304263205 9/2017
CN 305419265 11/2019

* cited by examiner

Primary Examiner — Janice Patyk

(74) *Attorney, Agent, or Firm* — Paratus Law Group,
PLLC

(57) **CLAIM**

The ornamental design for a cover for electronic device, as shown and described.

DESCRIPTION

FIG. 1 is a front, top, and right side perspective view of a cover for electronic device, showing our new design;
FIG. 2 is a front view thereof;
FIG. 3 is a back view thereof;
FIG. 4 is a left side view thereof;
FIG. 5 is a right side view thereof;
FIG. 6 is a top view thereof;
FIG. 7 is a bottom view thereof;
FIG. 8 is a front, bottom, and right side perspective view thereof; and,
FIG. 9 is a rear, top, and right side perspective view thereof.
The broken lines in the figures illustrate the portions of the design that form no part of the claimed design.

1 Claim, 7 Drawing Sheets

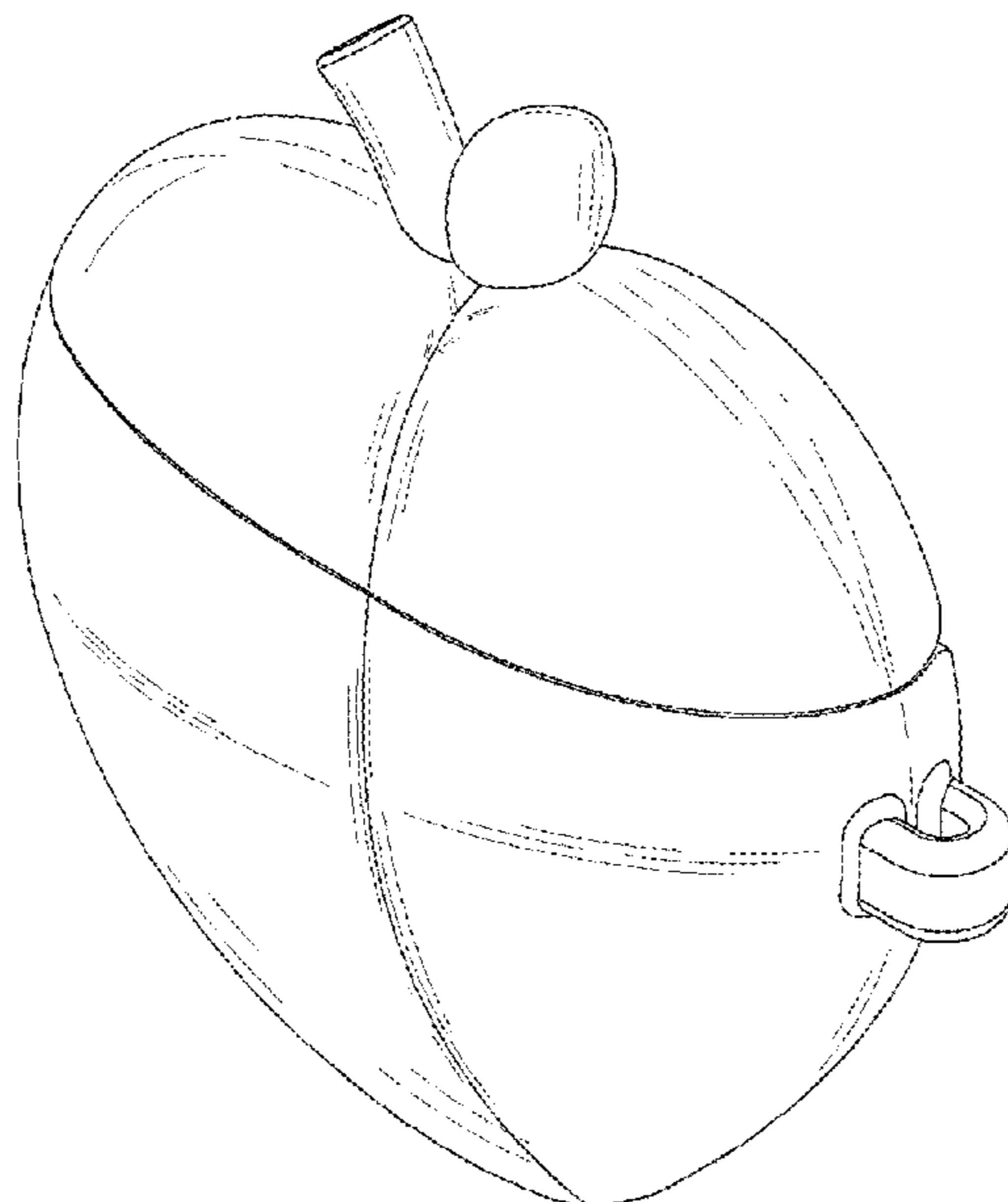


FIG. 1

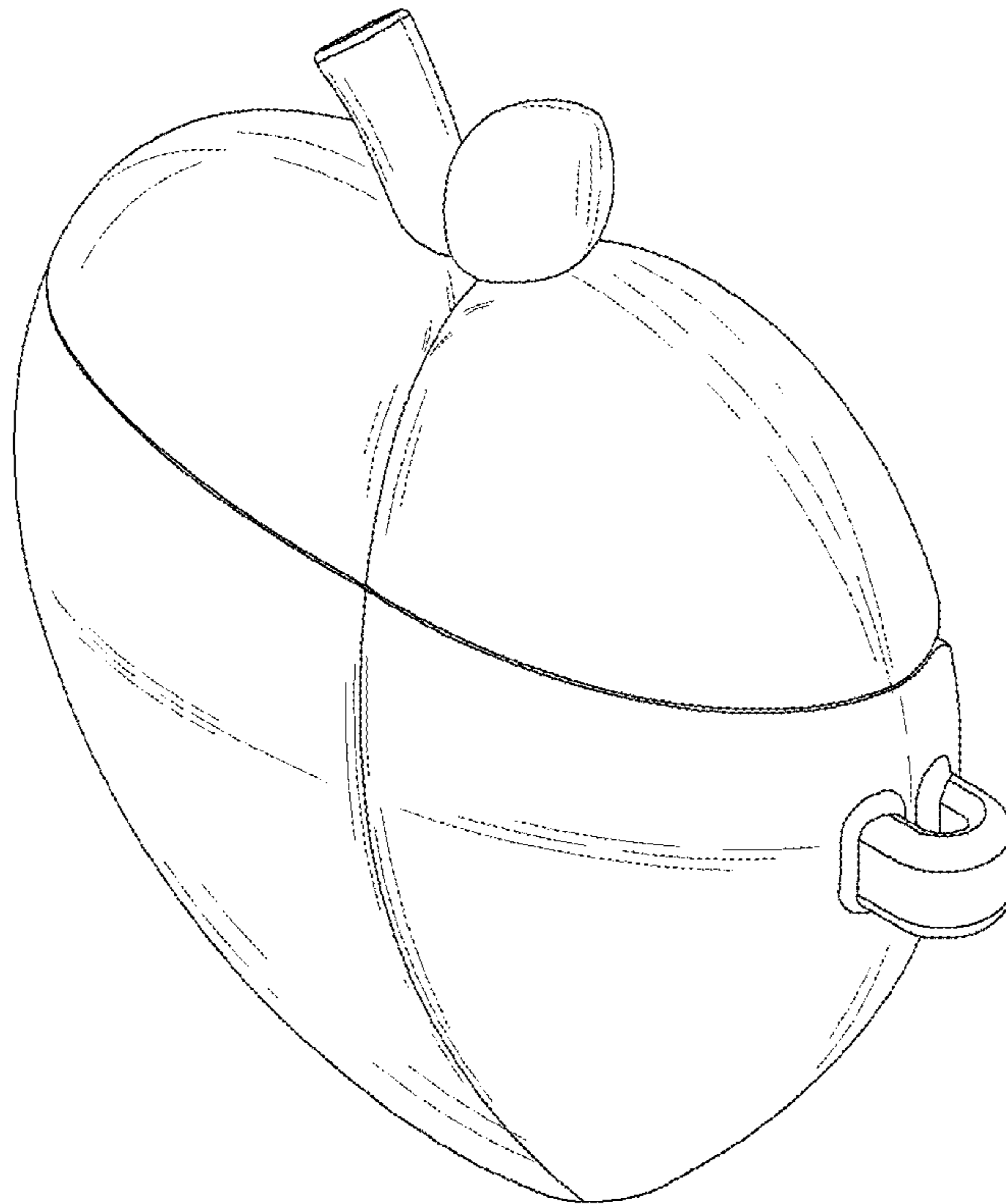


FIG. 2

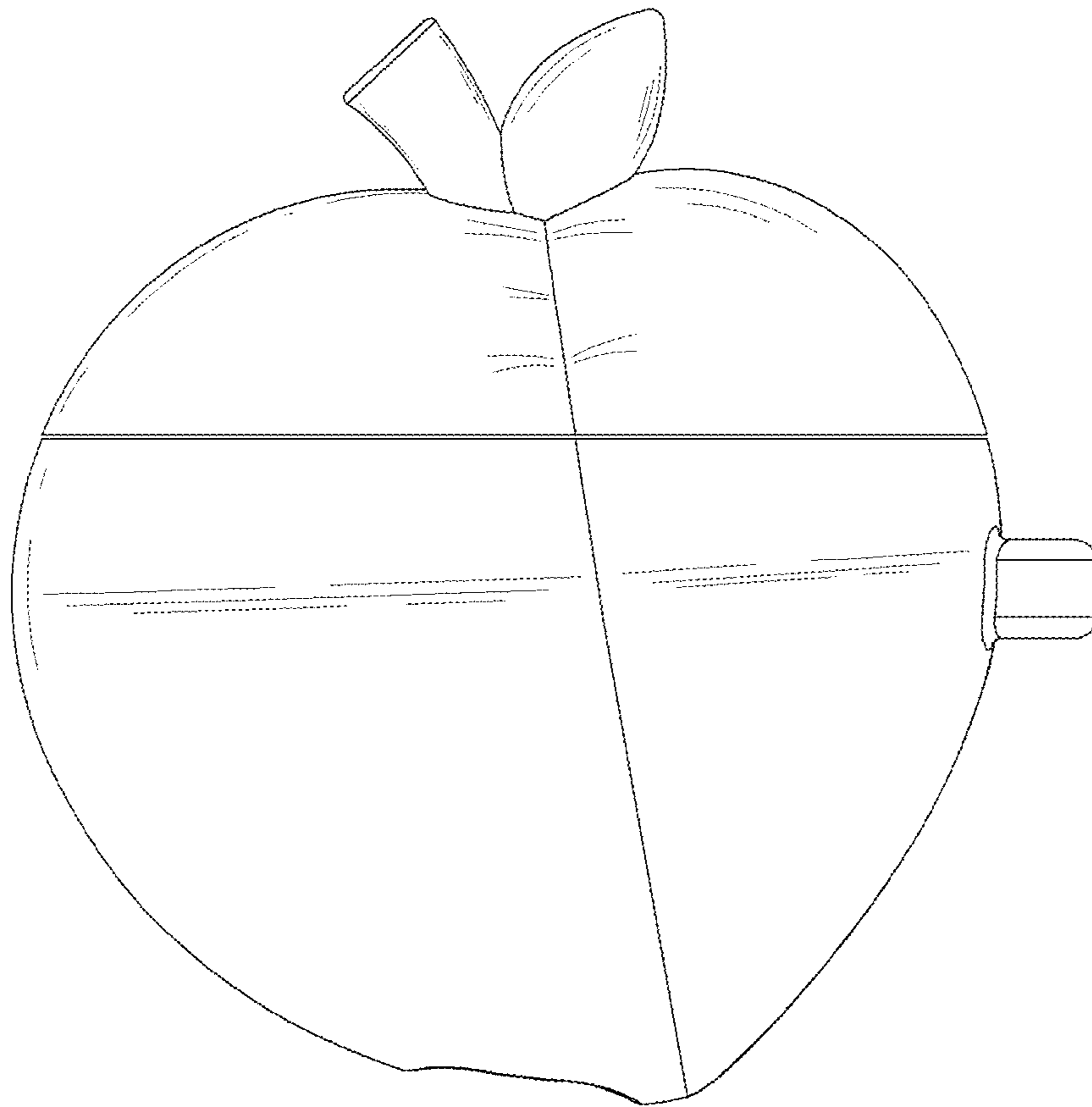


FIG. 3

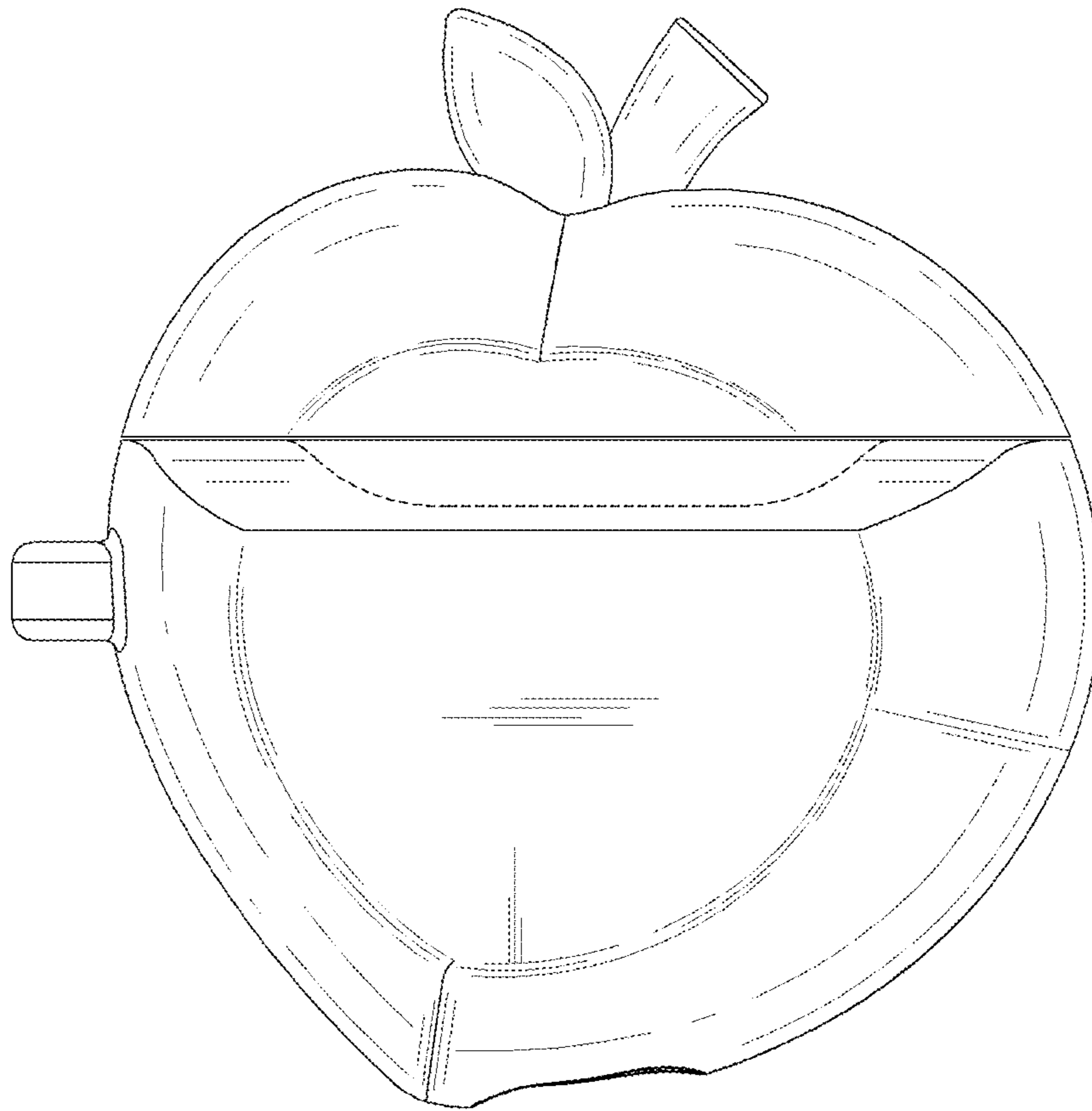


FIG. 4

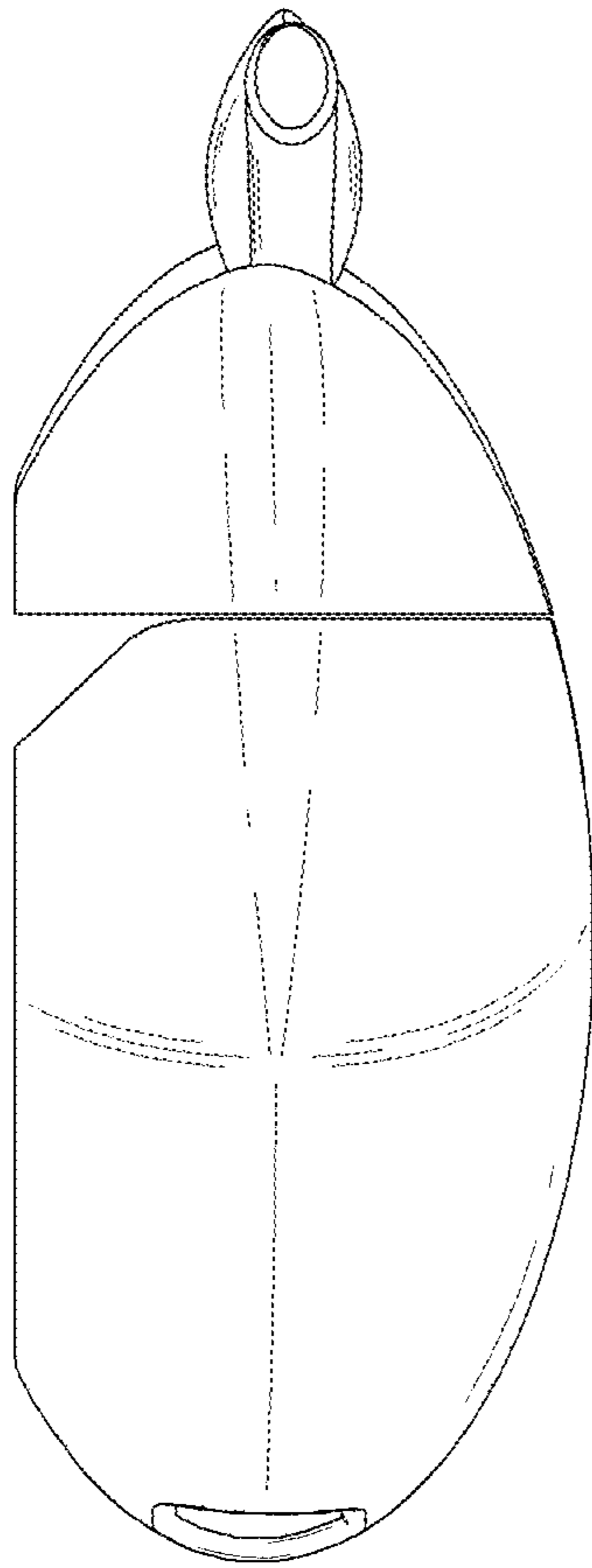


FIG. 5

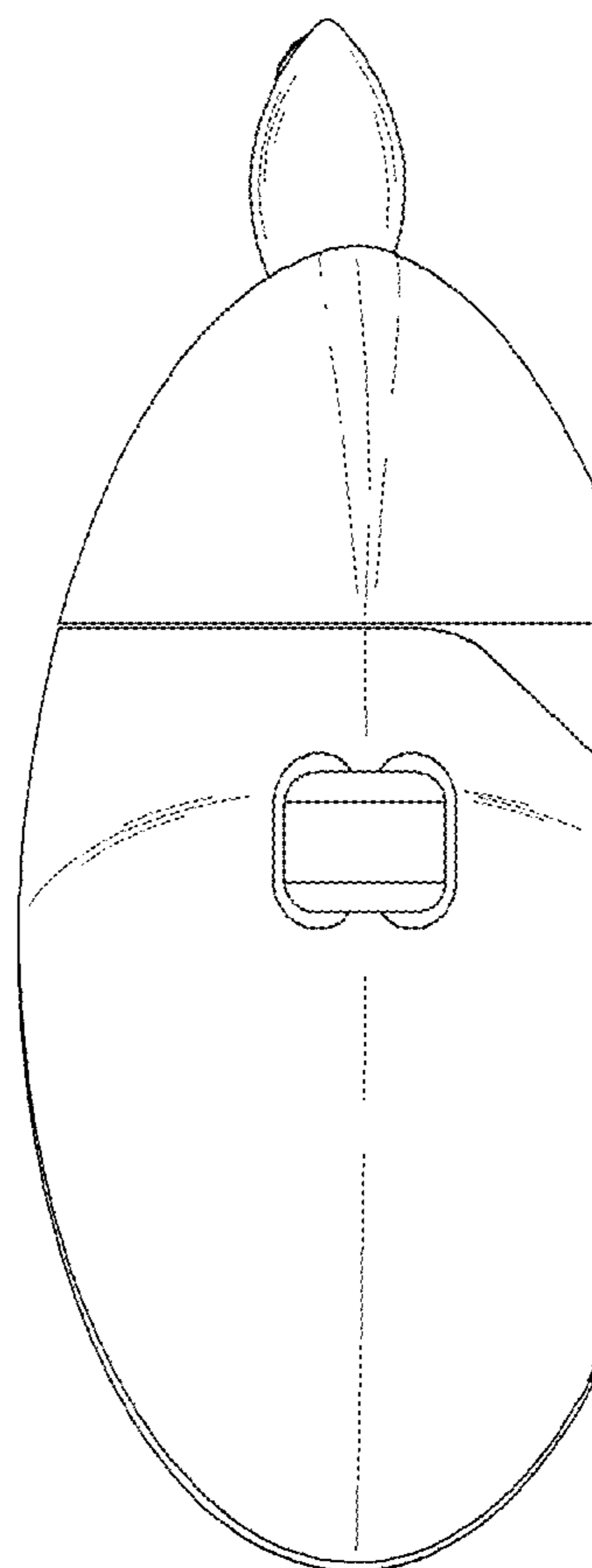


FIG. 6

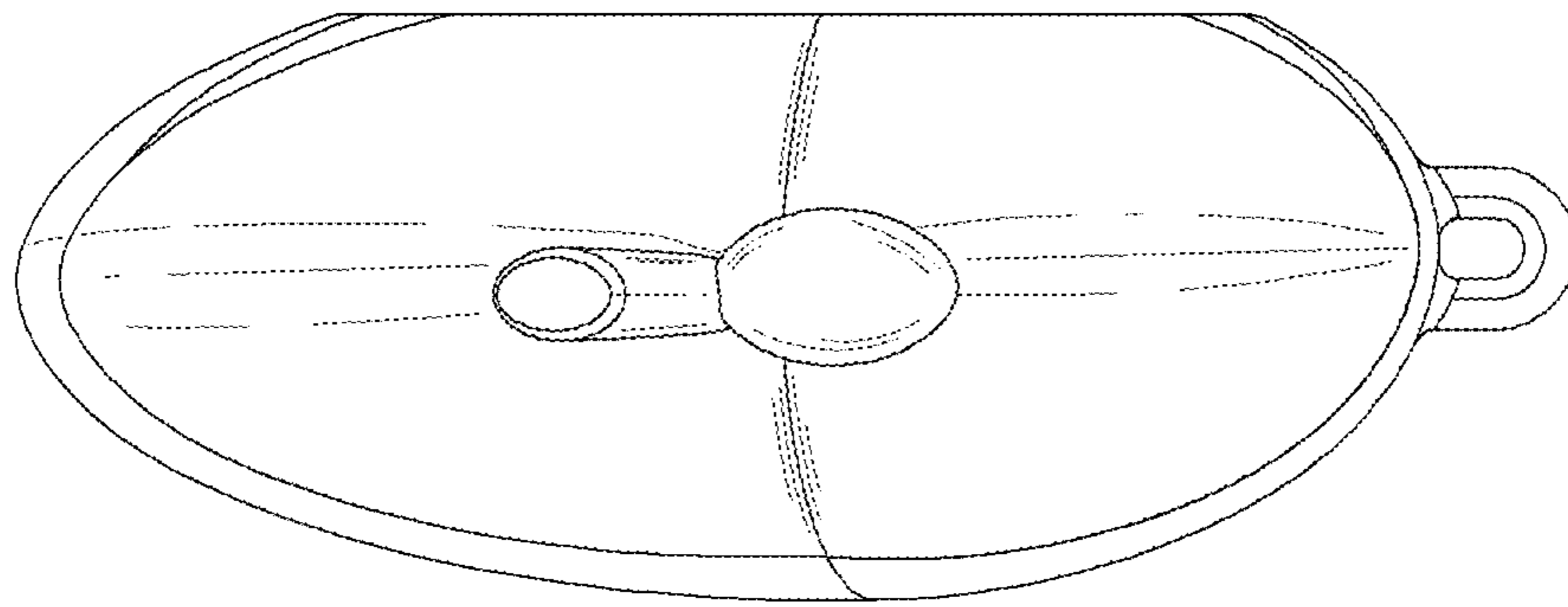


FIG. 7

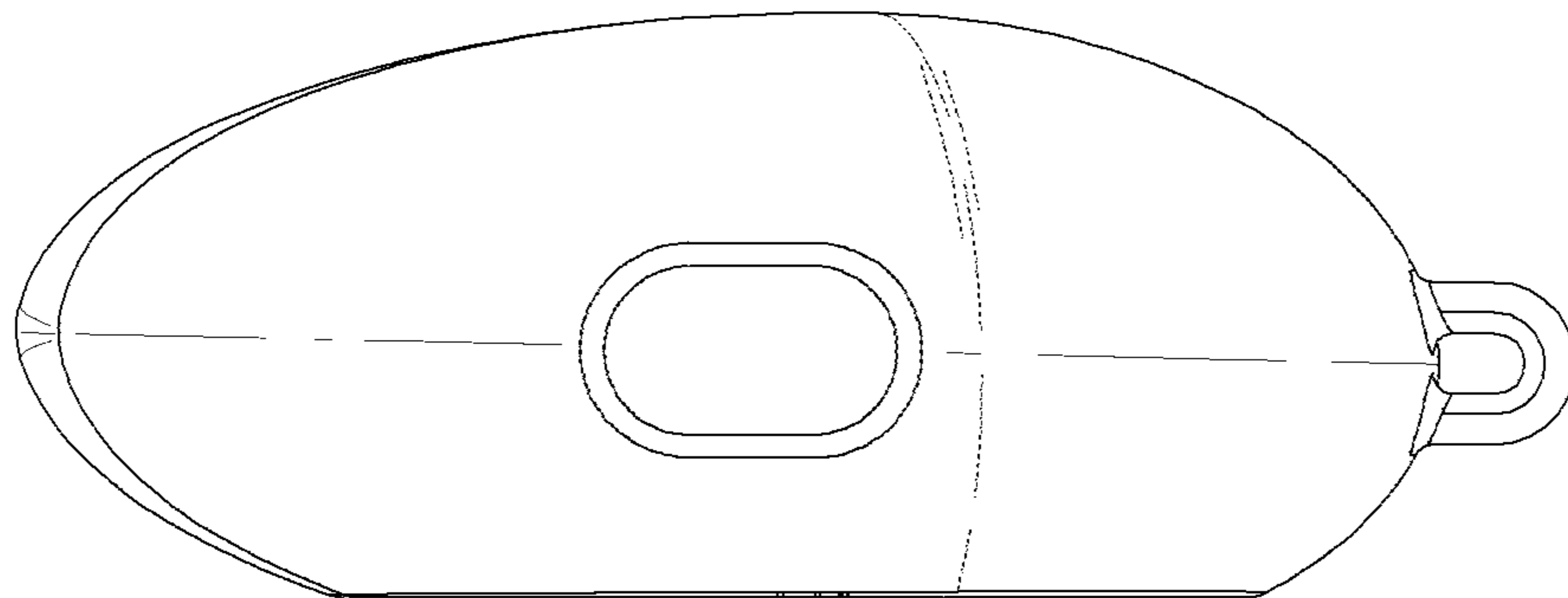


FIG. 8



FIG. 9

