



US00D886445S

(12) **United States Design Patent**
Hyun

(10) **Patent No.:** **US D886,445 S**
(45) **Date of Patent:** **** Jun. 9, 2020**

(54) **CASE FOR EARPHONES**
(71) Applicant: **SPIGEN KOREA CO., LTD.**, Seoul (KR)
(72) Inventor: **Young Kwang Hyun**, Seoul (KR)
(73) Assignee: **Spigen Korea CO., LTD.**, Seoul (KR)
(**) Term: **15 Years**

D676,654 S 2/2013 Weremchuk et al.
D733,154 S 6/2015 Armstrong et al.
D738,110 S 9/2015 Jiang et al.
D740,018 S 10/2015 Zhang et al.
D747,303 S 1/2016 Su et al.
D756,626 S 5/2016 Tollefsbol et al.
D762,631 S 8/2016 Kim
D786,787 S 5/2017 Yang

(Continued)

(21) Appl. No.: **29/719,952**
(22) Filed: **Jan. 8, 2020**
(51) **LOC (12) Cl.** **03-01**
(52) **U.S. Cl.**
USPC **D3/201; D3/218; D3/273**
(58) **Field of Classification Search**
USPC D3/201, 215, 218–219, 205, 207–212,
D3/269, 272–273, 294–295, 301, 303;
206/37–38, 305, 320, 536, 565, 702;
224/219, 222, 267, 269, 182, 666, 664;
455/575.1, 575.8; D9/420, 426, 428
CPC A45F 5/00; A45F 5/02; A45F 5/021; A45F
2200/0516; A45F 2005/008; A45F
2005/006; A45F 2003/142; B65D 25/10;
B65D 43/16; B65D 65/04; B65D
2313/04; B65D 2585/6835; B65D 85/00
See application file for complete search history.

OTHER PUBLICATIONS

“Spigen Tough Armor iPhone SE/5S/5 Case with Extreme Heavy Duty Protection and Air Cushion Technology for iPhone SE/iPhone 5S/iPhone 5—Metal Slate”, <https://www.amazon.com/Spigen-Extreme-Protection-Cushion-Technology/dp/B00DMKGPP4>, Earliest review date of Aug. 1, 2013, Downloaded on Aug. 9, 2018.

(Continued)

Primary Examiner — Catherine R Oliver-Garcia
(74) *Attorney, Agent, or Firm* — Heedong Chae; Lucem, PC

(57) **CLAIM**

The ornamental design for a case for earphones, as shown and described.

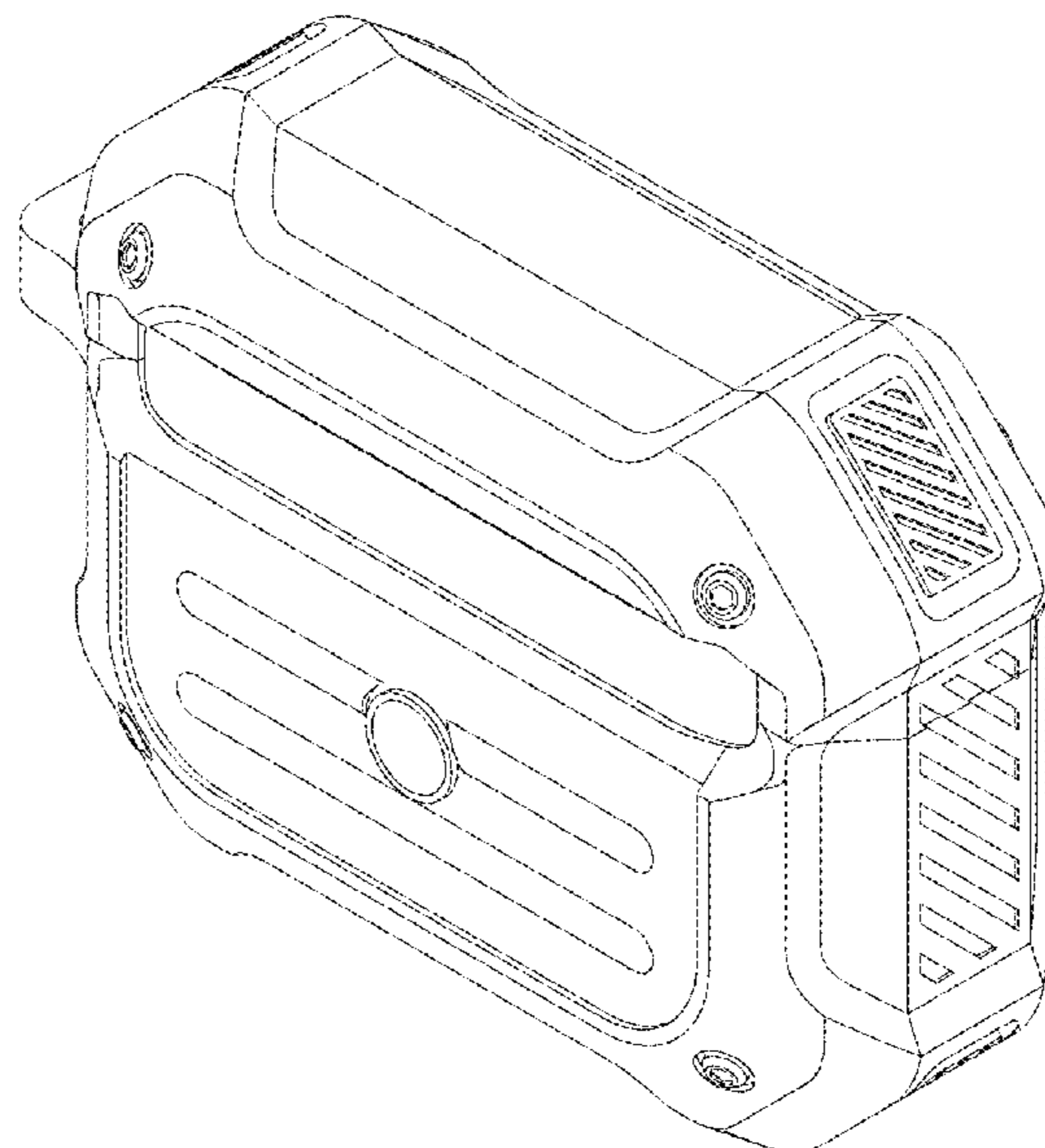
DESCRIPTION

FIG. 1 is a front perspective view of a case for earphones showing my new design;
FIG. 2 is a rear perspective view thereof;
FIG. 3 is a front elevational view thereof;
FIG. 4 is a rear elevational view thereof;
FIG. 5 is a left side elevational view thereof;
FIG. 6 is a right side elevational view thereof;
FIG. 7 is a top plan view thereof;
FIG. 8 is a bottom plan view thereof; and,
FIG. 9 is an exploded front perspective view showing the components of the case separated for clarity of disclosure.

1 Claim, 9 Drawing Sheets

(56) **References Cited**
U.S. PATENT DOCUMENTS

D259,596 S 6/1981 Gray
D449,931 S * 11/2001 Snider D3/294
D452,611 S 1/2002 Redgrave
D475,696 S 6/2003 Hussaini et al.
D524,046 S * 7/2006 Pangerc D3/273
D586,557 S 2/2009 Jalet
D604,501 S 11/2009 Lee
D614,048 S 4/2010 Smith
D636,598 S 4/2011 Tseng et al.



(56)

References Cited

U.S. PATENT DOCUMENTS

D791,754 S	7/2017	Armstrong et al.	
D793,074 S	* 8/2017	Tollefsbol	D3/201
D794,617 S	8/2017	Wright et al.	
D794,618 S	8/2017	Wright et al.	
D794,625 S	8/2017	Armstrong et al.	
D802,576 S	11/2017	Ahn	
D802,577 S	11/2017	Ahn	
D806,082 S	12/2017	Armstrong et al.	
D806,388 S	1/2018	Akana et al.	
D809,454 S	2/2018	Zhou et al.	
D812,618 S	3/2018	Altaras	
D813,909 S	3/2018	Lacy-Nichols	
D816,651 S	5/2018	Chiang et al.	
D817,640 S	5/2018	Dang et al.	
D820,820 S	6/2018	Ahn	
D823,246 S	7/2018	Lin	
D834,301 S	11/2018	Poissant	
D835,081 S	12/2018	Luo	
D838,480 S	1/2019	Son et al.	
D840,333 S	2/2019	Cooper et al.	
D841,580 S	2/2019	Bao	
D841,581 S	2/2019	Bonahoom et al.	
D843,364 S	3/2019	Sasaki et al.	
D846,264 S	4/2019	Wu	
D846,542 S	4/2019	Sasaki et al.	
D849,401 S	5/2019	Akana et al.	
D850,456 S	6/2019	Armstrong et al.	
D851,586 S	6/2019	Liu	
D852,182 S	6/2019	Hyun	
D853,108 S	7/2019	Zaihui	
D858,994 S	9/2019	Chang	
D860,981 S	9/2019	Yuan	
D862,425 S	10/2019	Yan	
D863,285 S	10/2019	Chen	
D863,286 S	10/2019	Hong	
D864,110 S	10/2019	Yoshimura	
D864,861 S	10/2019	Roberts	
D864,971 S	10/2019	Lee et al.	
D865,739 S	11/2019	Altschul et al.	
D868,453 S	12/2019	Lee et al.	
D868,465 S	12/2019	Lee et al.	
D868,788 S	12/2019	Weng	
D869,147 S	12/2019	Lian	
D869,163 S	12/2019	Maguire	
D870,037 S	12/2019	Lee	
D870,451 S	12/2019	Birger	
D872,094 S	1/2020	Wright et al.	
D872,468 S	1/2020	Lee et al.	
D872,469 S	1/2020	Lee et al.	
D872,723 S	1/2020	Lee et al.	
D872,724 S	1/2020	Lee et al.	
D873,019 S	* 1/2020	Seibert	D3/294
D873,217 S	1/2020	Zhang	

OTHER PUBLICATIONS

“Spigen Tough Armor Galaxy S5 Case with Extreme Heavy Duty Protection and Air Cushion Technology for Samsung Galaxy S5 2014—Gunmetal”, <https://www.amazon.com/Spigen-Extreme-Protection-Cushion-Technology/dp/B00I3UWDV8>, Earliest review date of Mar. 9, 2014, Downloaded on Aug. 9, 2018.

“Spigen Tough Armor iPhone 6 Case with Extreme Heavy Duty Protection and Air Cushion Technology for iPhone 6S/iPhone 6—Smooth Black”, <https://www.amazon.com/Spigen-Extreme-Protection-Cushion-Technology/dp/B00NSSX23I>, Earliest review date of Aug. 14, 2014, Downloaded on Aug. 9, 2018.

“Spigen Tough Armor Galaxy Note 4 Case with Extreme Heavy Duty Protection and Air Cushion Technology for Samsung Galaxy Note 4 2014—Gunmetal”, <https://www.amazon.com/dp/B00MAWQU14>, Earliest review date of Oct. 9, 2014, Downloaded on Aug. 31, 2018.

“Spigen Tough Armor Galaxy S6 Case with Kickstand and Air Cushion Technology for Galaxy S6 2015—Gunmetal”, <https://www.amazon.com/dp/B00QU4PUKK>, Earliest review date of Mar. 23, 2015, Downloaded on Aug. 9, 2018.

“Rugged Armor Designed for Apple Watch Case for 42mm Series 3/Series 2/1/Original (2015)—Black”, <https://www.amazon.com/Spigen-Rugged-Resilient-Absorption-Original/dp/B00UVSNQPM>, Earliest review date of Apr. 30, 2015, Downloaded on Jan. 15, 2019.

“Spigen Tough Armor Designed for Apple Watch Case and Built in Screen Protector for 42mm (2015)—Gunmetal”, <https://www.amazon.com/Spigen-Extreme-Protection-Screen-Protector/dp/B00UVSOWBY>, Earliest review date of May 7, 2015, Downloaded on Jan. 15, 2019.

Spigen Tough Armor iPhone 6S Case with Extreme Heavy Duty Protection and Air Cushion Technology for iPhone 6S/iPhone 6—Rose Gold, <https://www.amazon.com/dp/B013TKNNGK>, Earliest review date of Aug. 30, 2015, Downloaded on Aug. 8, 2018.

“Spigen Tough Armor Galaxy S7 Case with Extreme Heavy Duty Protection and Air Cushion Technology for Samsung Galaxy S7 2016—Gunmetal”, <https://www.amazon.com/dp/B01A71D3PS>, Earliest review date of Feb. 25, 2016, Downloaded on Aug. 9, 2018.

“Spigen Tough Armor iPhone 7 Case with Jet Black Optimized Color and Extreme Heavy Duty Protection and Air Cushion Technology for iPhone 7 2016—Jet Black”, <https://www.amazon.com/Spigen-Optimized-Extreme-Protection-Technology/dp/B01LRSFLFM>, Earliest review date of Sep. 25, 2016, Downloaded on Aug. 9, 2018.

“Spigen Tough Armor Designed for Apple Watch Case for 42mm Series 3 / Series 2/1 / Original (2015) / Nike+ Sport Edition and Built in Screen Protector—Gunmetal”, <https://www.amazon.com/dp/B01N74P26H>, Earliest review date of Jan. 4, 2017, Downloaded on Jan. 15, 2019.

“Spigen Rugged Armor Extra Designed for LG G6 Case (2017) / Designed for LG G6 Plus (2017)—Black”, <https://www.amazon.com/Spigen-Rugged-Resilient-Absorption-Carbon/dp/B01N6T9PHS>, Earliest review date of Mar. 28, 2017, Downloaded on Jan. 9, 2020.

“Spigen Tough Armor Galaxy S8 Case with Kickstand and Extreme Heavy Duty Protection and Air Cushion Technology for Samsung Galaxy S8 (2017)—Black”, <http://www.amazon.com/dp/B0716CZ3Z1>, Earliest review date of Apr. 9, 2017, downloaded on Aug. 9, 2018.

Spigen, “Spigen Rugged Armor Extra”, <https://www.youtube.com/watch?v=ILUEjn1P2hk>, Published on May 26, 2017, Downloaded on Jan. 9, 2020.

“Spigen Rugged Armor Extra Galaxy Temp Case with Resilient Shock Absorption and Carbon Fiber Design for Galaxy Temp (2017)—Black”, <https://www.amazon.com/Spigen-Rugged-Galaxy-Resilient-Absorption/dp/B01MTEQVNB>, Earliest review date of Jul. 6, 2017, Downloaded on Jan. 9, 2020.

“Spigen Rugged Crystal Designed for Samsung Galaxy Note 8 Case (2017)—Crystal Clear”, <https://www.amazon.com/Spigen-Rugged-Crystal-Designed-Samsung/dp/B073RWTZ5M>, Earliest review date of Aug. 30, 2017, Downloaded on Jan. 9, 2020.

“Spigen Tough Armor [2nd Generation] iPhone 8 Case/iPhone 7 Case with Kickstand and Heavy Duty Protection and Air Cushion Technology for Apple iPhone 8 (2017)/iPhone 7 (2016)—Gunmetal”, <http://www.amazon.com/dp/B07482KVD3>, Earliest review date of Sep. 2, 2017, downloaded on Aug. 9, 2018.

“Spigen Rugged Armor Extra Designed for Apple iPhone 7 Case (2016)—Black”, <https://www.amazon.com/Spigen-Rugged-iPhone-Resilient-Absorption/dp/B06XC8WL7P>, earliest review date of Sep. 7, 2017, downloaded on Jan. 9, 2020.

“Spigen Tough Armor [2nd Generation] Designed for Apple Watch Case for 42mm Series 3 / Series 2 / Nike+ Sport Edition—Black”, <https://www.amazon.com/Spigen-Tough-Armor-Generation-Designed/dp/B075FJT3FK>, Earliest review date of Dec. 30, 2017, downloaded on Jan. 15, 2019.

“Spigen Tough Armor [2nd Generation] for Apple Watch Case 38mm with Extreme Heavy Duty Protection and No Built in Screen Protector for Apple Watch Series 3 / Series 2 / Nike+ Sport Edition—Matte Black”, <https://www.amazon.com/Spigen-Generation-Extreme-Protection-Protector/dp/B075FL41B5>, Earliest review date of Jan. 6, 2017, downloaded on Jan. 15, 2019.

(56)

References Cited

OTHER PUBLICATIONS

“Spigen Tough Armor Galaxy S9 Plus Case with Reinforced Kickstand and Heavy Duty Protection and Air Cushion Technology for Samsung Galaxy S9 Plus (2018)—Lilac Purple”, <http://www.amazon.com/dp/B078BBPY98>, Earliest review date of Mar. 1, 2018, downloaded on Jan. 15, 2019.

“Spigen Apple Watch 38mm Slim Armor Case—Space Gray”, <https://www.amazon.com/Spigen-Apple-Watch-38mm-Armor/dp/B076CDNZ4V>, Earliest review date of Mar. 9, 2018, downloaded on Jan. 16, 2019.

Unlockboot, “8 Best AirPods Cases Reviewed—Protective AirPods Covers”, <https://www.unlockboot.com/best-airpods-cases/>, Published on Aug. 22, 2018, Downloaded on Feb. 24, 2020.

Allison Bowsher, “These AirPods Cases Survive Big Drops—Even in the Water”, <https://spy.com/articles/gadgets/mobile/best-airpods-cases-waterproof-amazon-148420/>, Published on Jan. 2, 2019, Downloaded on Feb. 24, 2020.

* cited by examiner

FIG. 1

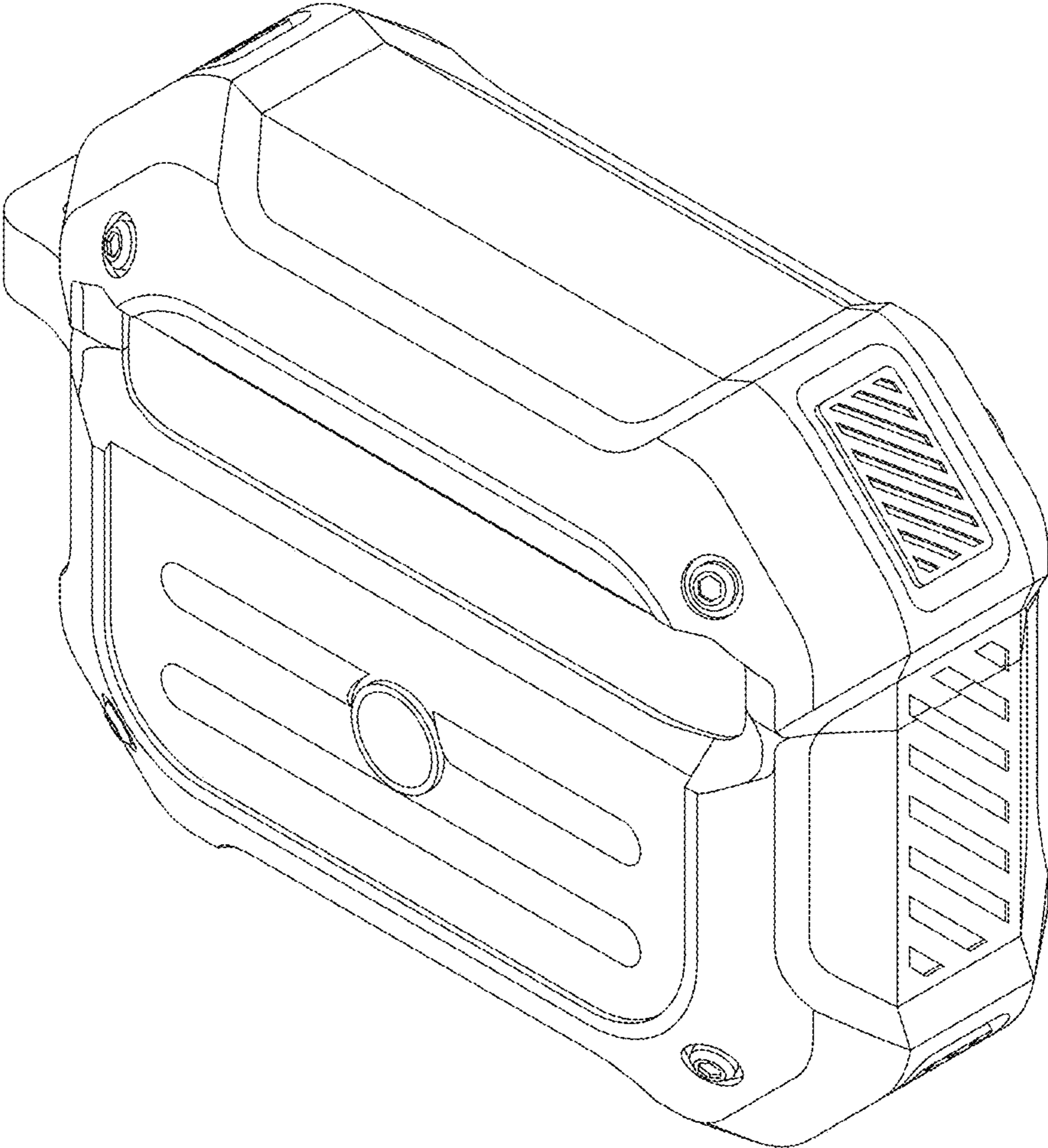


FIG. 2

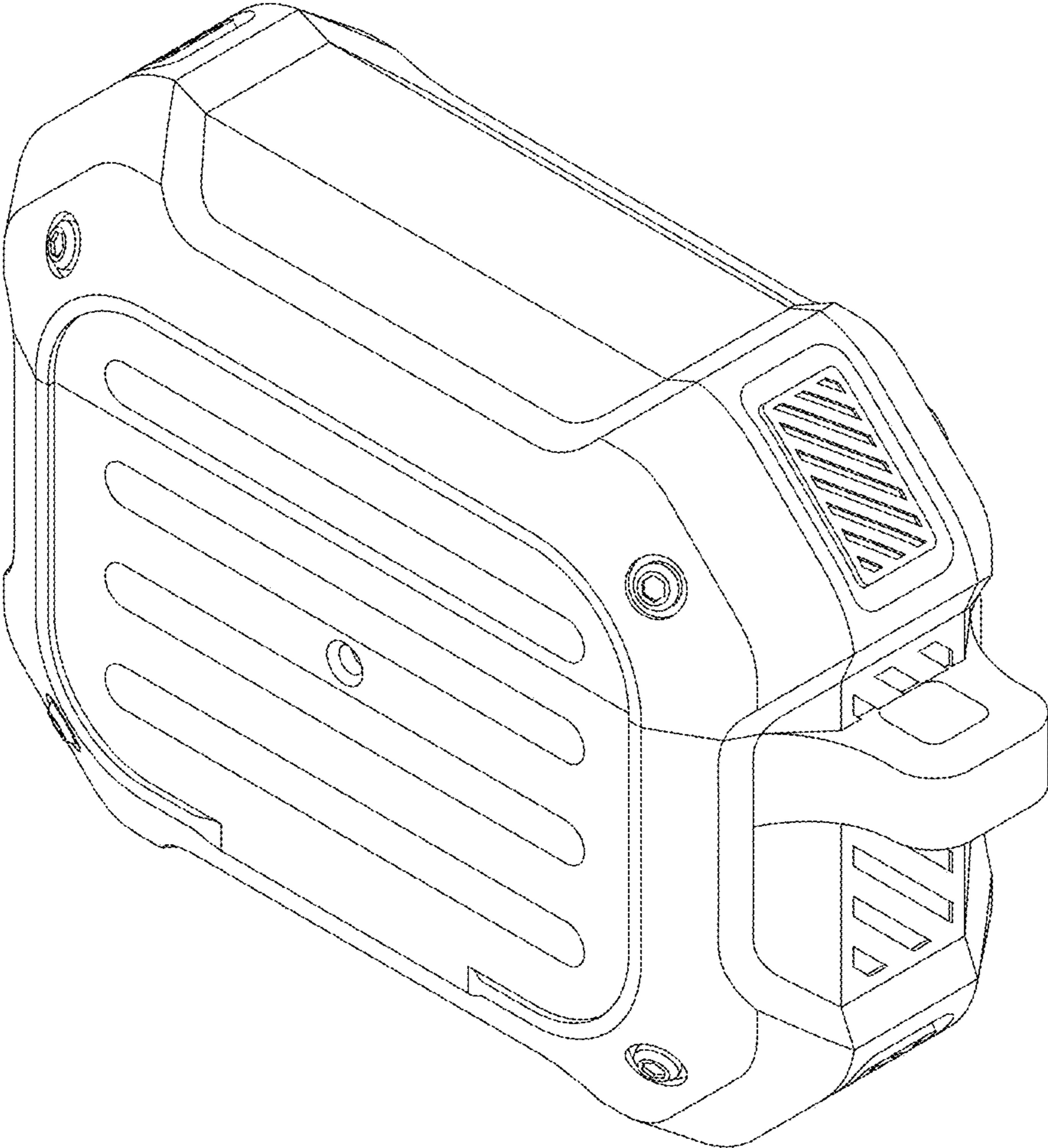


FIG. 3

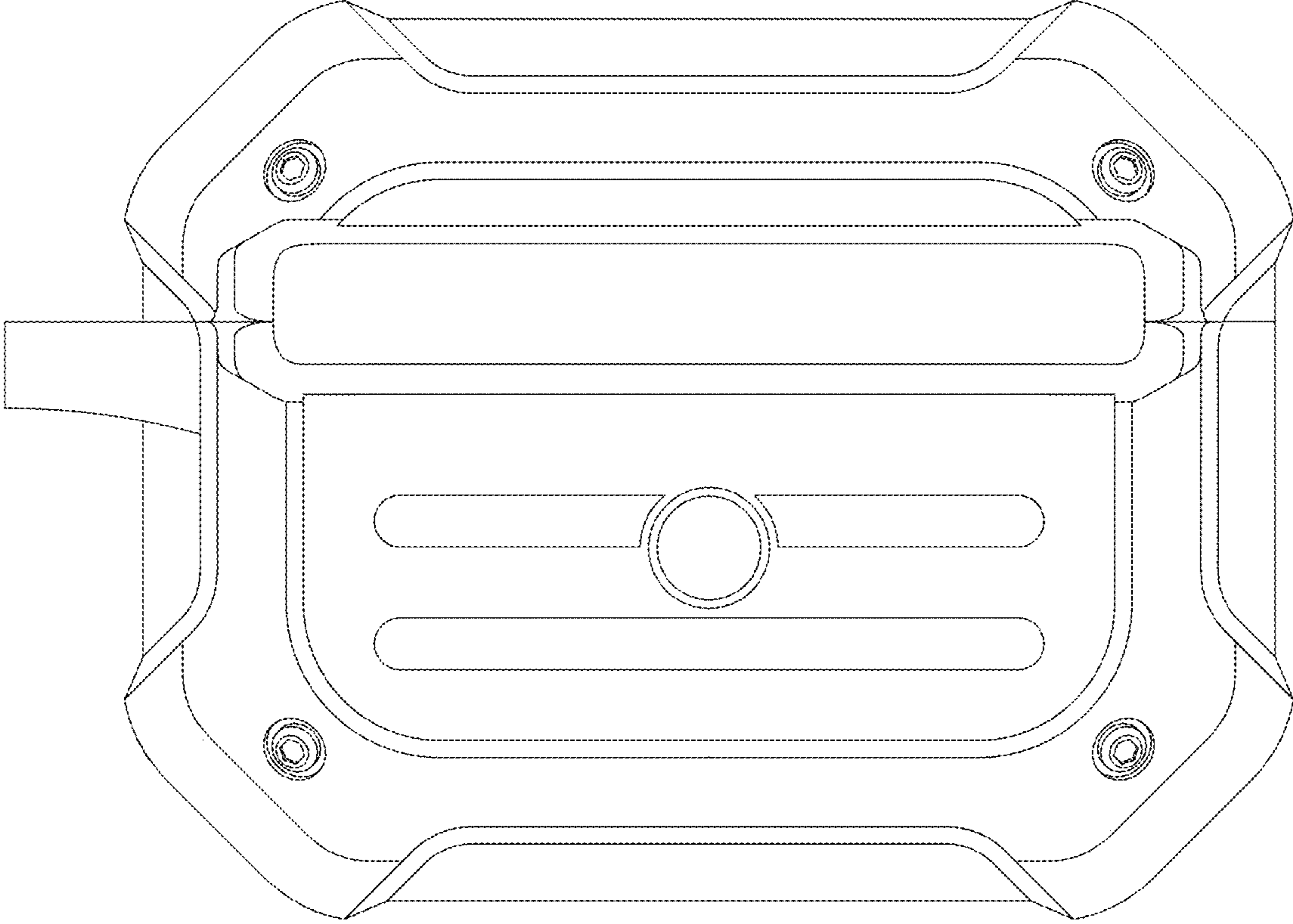


FIG. 4

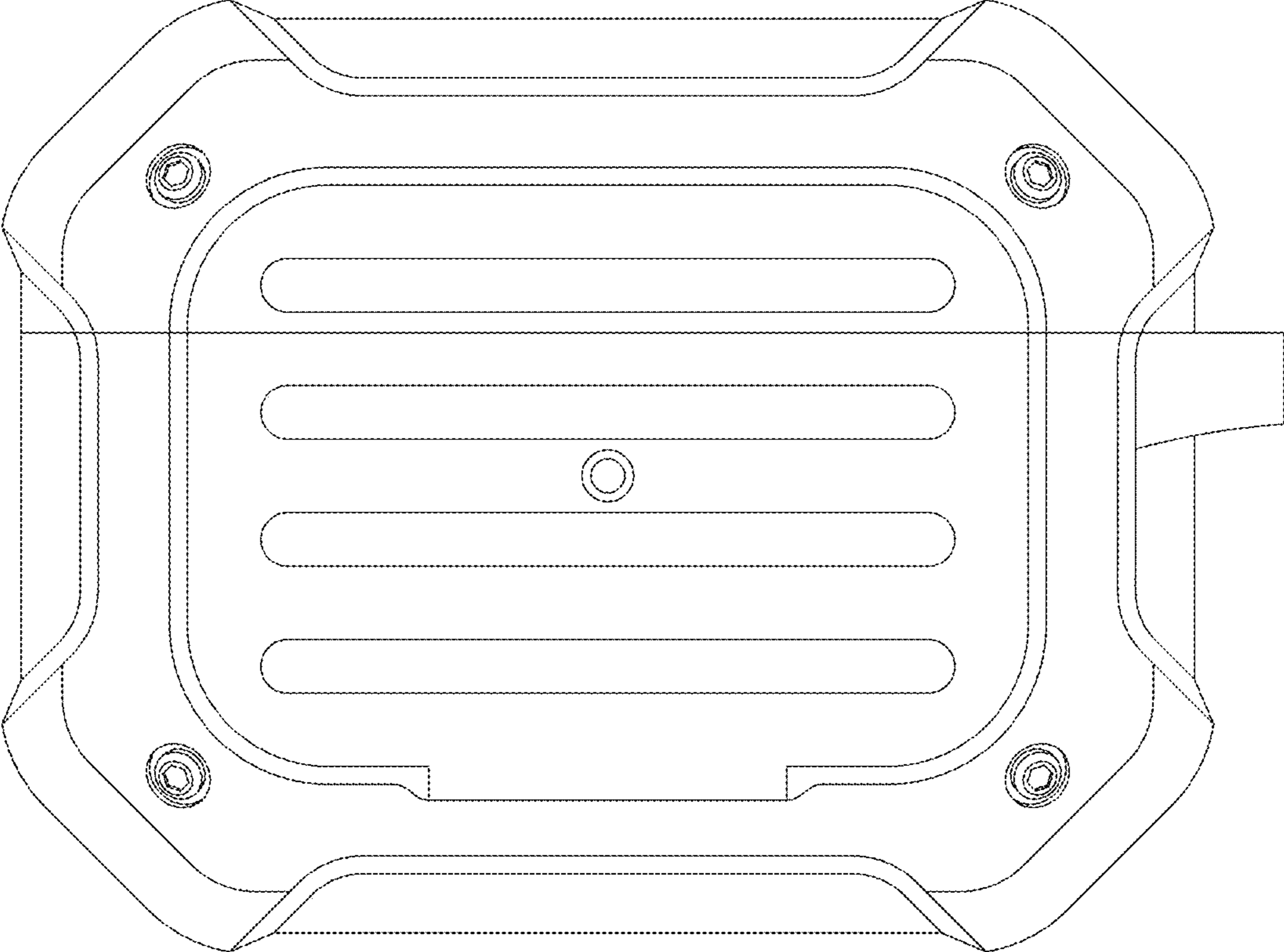


FIG. 5

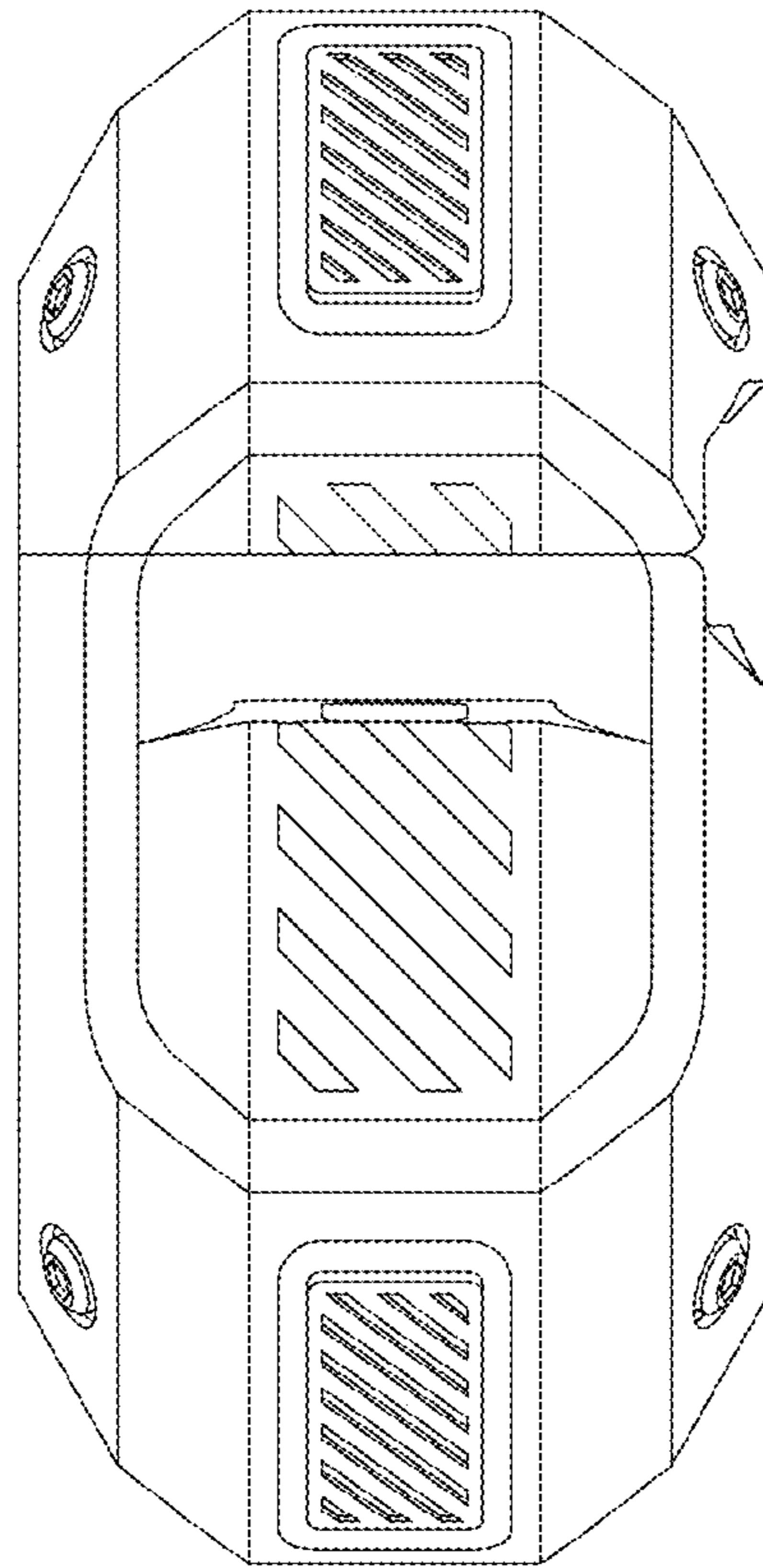


FIG. 6

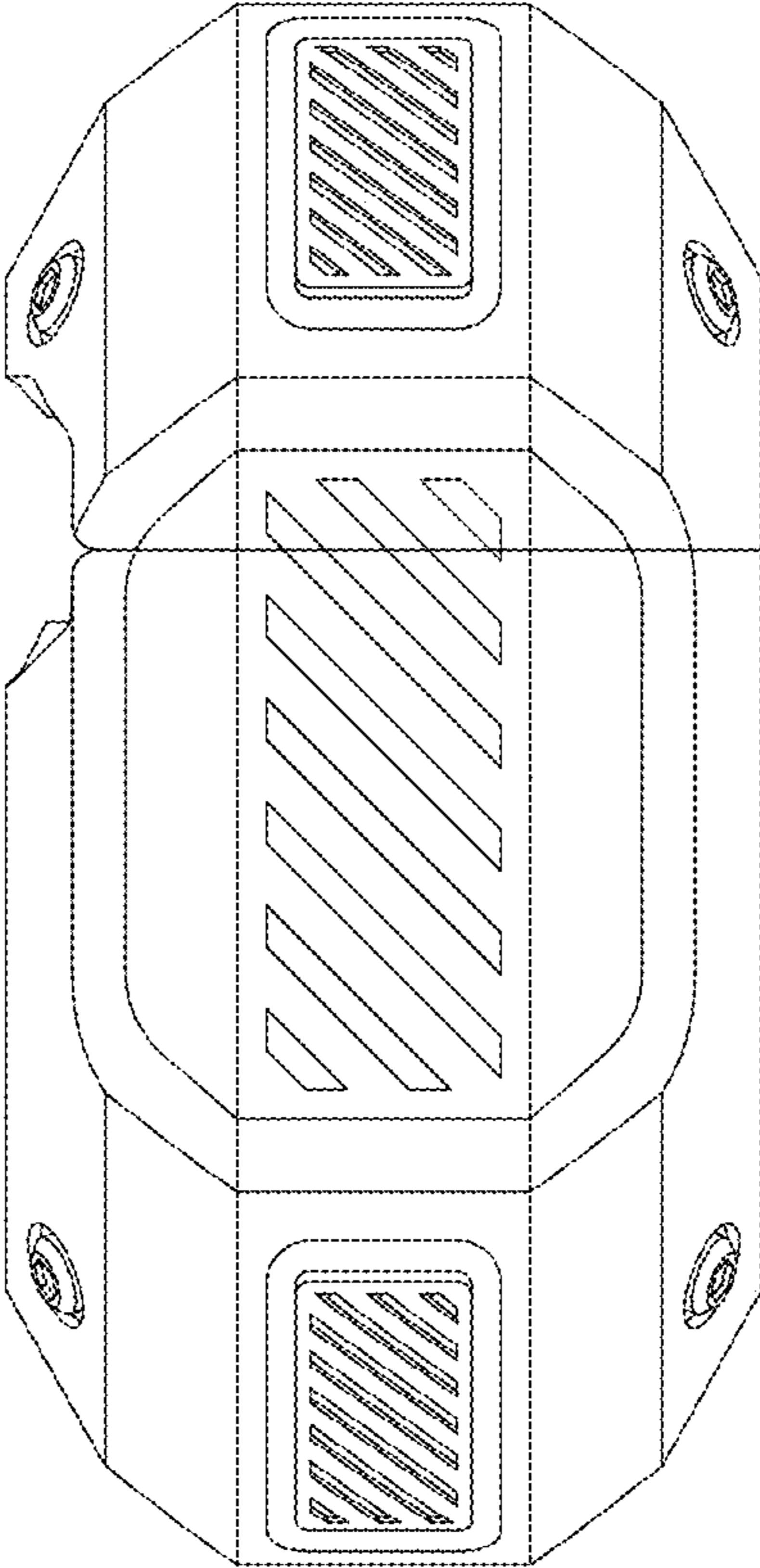


FIG. 7

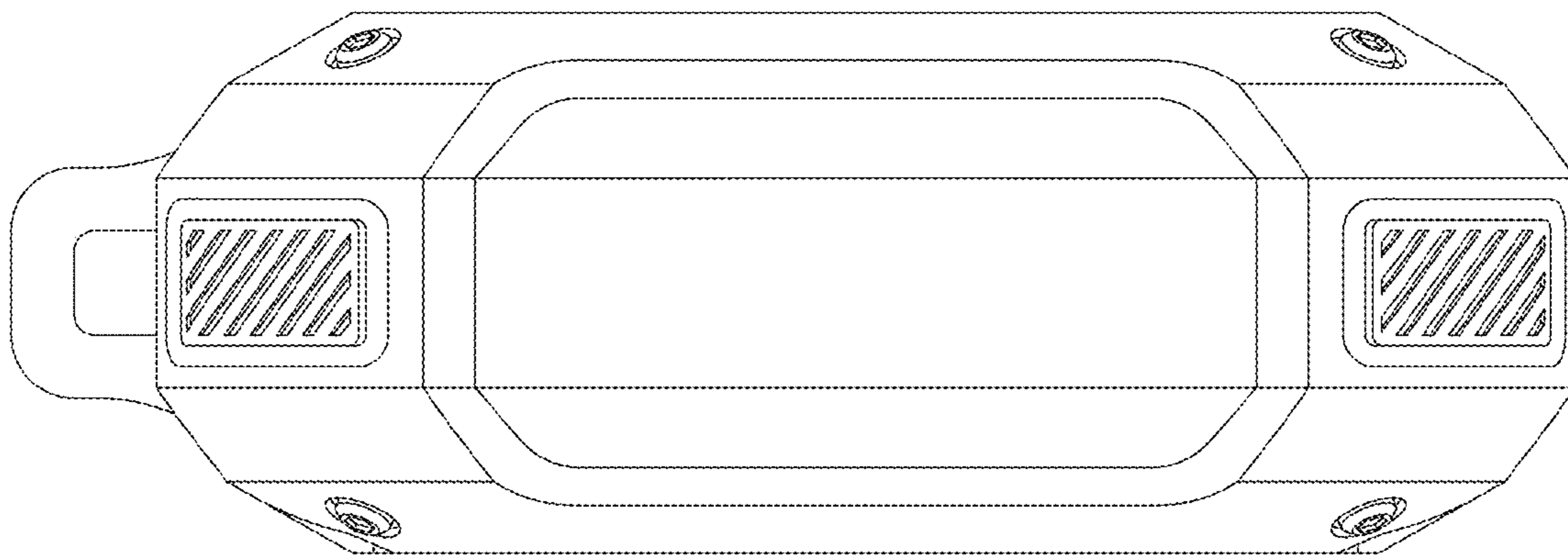


FIG. 8

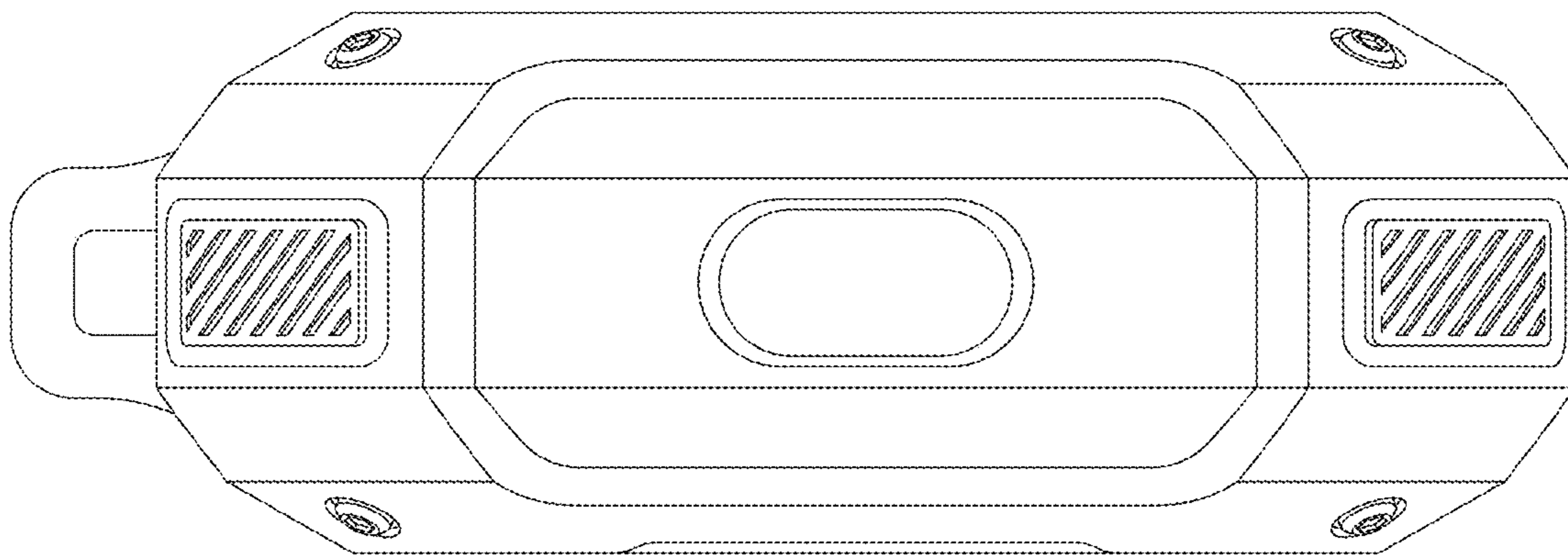


FIG. 9

