



US00D886444S

(12) **United States Design Patent**
Tellings

(10) **Patent No.:** **US D886,444 S**
(45) **Date of Patent:** **** Jun. 9, 2020**

- (54) **HANDLE FOR AN UMBRELLA**
- (71) Applicant: **Tramex Trading Company Limited,**
Wan chai (HK)
- (72) Inventor: **Alexandre Tellings,** Beaufays (BE)
- (73) Assignee: **Tramex Trading Company Limited,**
Wan Chai (HK)
- (**) Term: **15 Years**
- (21) Appl. No.: **29/664,923**
- (22) Filed: **Sep. 28, 2018**
- (30) **Foreign Application Priority Data**

D602,686 S *	10/2009	Patzak	D3/10
D609,453 S *	2/2010	Liu	D3/5
D621,600 S *	8/2010	He	D3/5
D638,622 S *	5/2011	He	D3/5
D640,464 S *	6/2011	Forthuber	D3/5
D644,832 S *	9/2011	Patzak	D3/10
D668,445 S *	10/2012	Patzak	D3/10
D685,315 S *	7/2013	Hayes	D12/415
8,899,249 B2 *	12/2014	Lai	F16M 11/24 135/16
D738,610 S *	9/2015	Ma	D3/10
D760,486 S *	7/2016	Patzak	D3/10
D803,545 S *	11/2017	Rothbucher	D3/12
D808,634 S *	1/2018	Ma	D3/10
D808,635 S *	1/2018	Ma	D3/10
D808,636 S *	1/2018	Ma	D3/10
D809,283 S *	2/2018	Ma	D3/10
D809,284 S *	2/2018	Ma	D3/10
D809,775 S *	2/2018	Ma	D3/10

(Continued)

Mar. 29, 2018 (EM) 005138104-0001

- (51) **LOC (12) Cl.** **03-03**
- (52) **U.S. Cl.**
USPC **D3/12**

- (58) **Field of Classification Search**
USPC D3/5, 6, 10, 12, 16
CPC ... A45B 11/00; A45B 2011/005; A45B 19/00;
A45B 2019/005; A45B 23/00; A45B
2023/0012; A45B 2023/0075; A45B
2023/0081; A45B 2023/0087; A45B
2023/0093; A45B 25/00; A45B 2025/003;
A45B 2025/006; A45B 25/02; A45B
25/18; A45B 2025/186; A45B 2200/10;
A45B 2200/1072; A45B 2023/0031;
A45B 25/20; A45B 25/22
See application file for complete search history.

- (56) **References Cited**
U.S. PATENT DOCUMENTS
6,382,222 B1 * 5/2002 Ko A45B 25/08
135/25.1
7,398,790 B2 * 7/2008 Glatz A45B 23/00
135/20.1

Primary Examiner — Eric L Goodman
Assistant Examiner — Steven J Czyz
 (74) *Attorney, Agent, or Firm* — Harness, Dickey &
 Pierce, P.L.C.

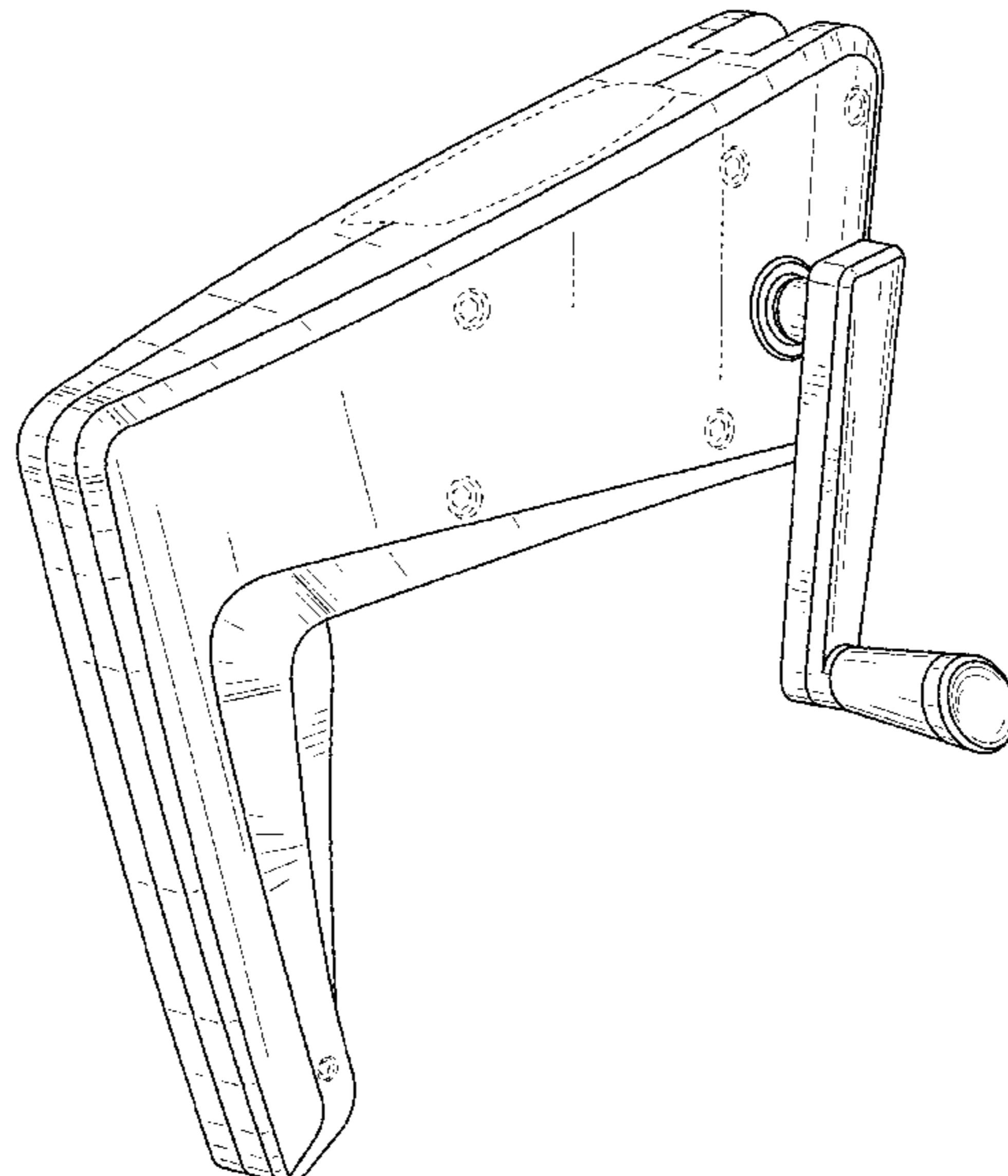
(57) **CLAIM**

The ornamental design for a handle for an umbrella, as shown and described.

DESCRIPTION

FIG. 1 is a perspective view of a handle for an umbrella in accordance with my new design;
 FIG. 2 is a right side elevation view thereof;
 FIG. 3 is a left side elevation view thereof;
 FIG. 4 is a rear elevation view thereof;
 FIG. 5 is a front elevation view thereof;
 FIG. 6 is a top plan view thereof; and,
 FIG. 7 is a bottom plan view thereof.
 The broken lines depict portions of the article that form no part of the claimed design.

1 Claim, 5 Drawing Sheets



(56)

References Cited

U.S. PATENT DOCUMENTS

D813,524	S *	3/2018	Ma	D3/10
D814,172	S *	4/2018	Ma	D3/10
D814,782	S *	4/2018	Ma	D3/10
D815,828	S *	4/2018	Wang	D3/12
D820,581	S *	6/2018	Ma	D3/10
D834,807	S *	12/2018	Tellings	D3/16
D843,104	S *	3/2019	Tellings	D3/16
D851,390	S *	6/2019	Wang	D3/12
2005/0126612	A1 *	6/2005	Chen	A45B 9/00 135/16
2008/0223422	A1 *	9/2008	Lai	A45B 23/00 135/21
2011/0005558	A1 *	1/2011	Lai	A45B 17/00 135/20.1
2014/0158173	A1 *	6/2014	Li	A45B 17/00 135/20.1
2015/0068567	A1 *	3/2015	Ma	A45B 23/00 135/20.1

* cited by examiner

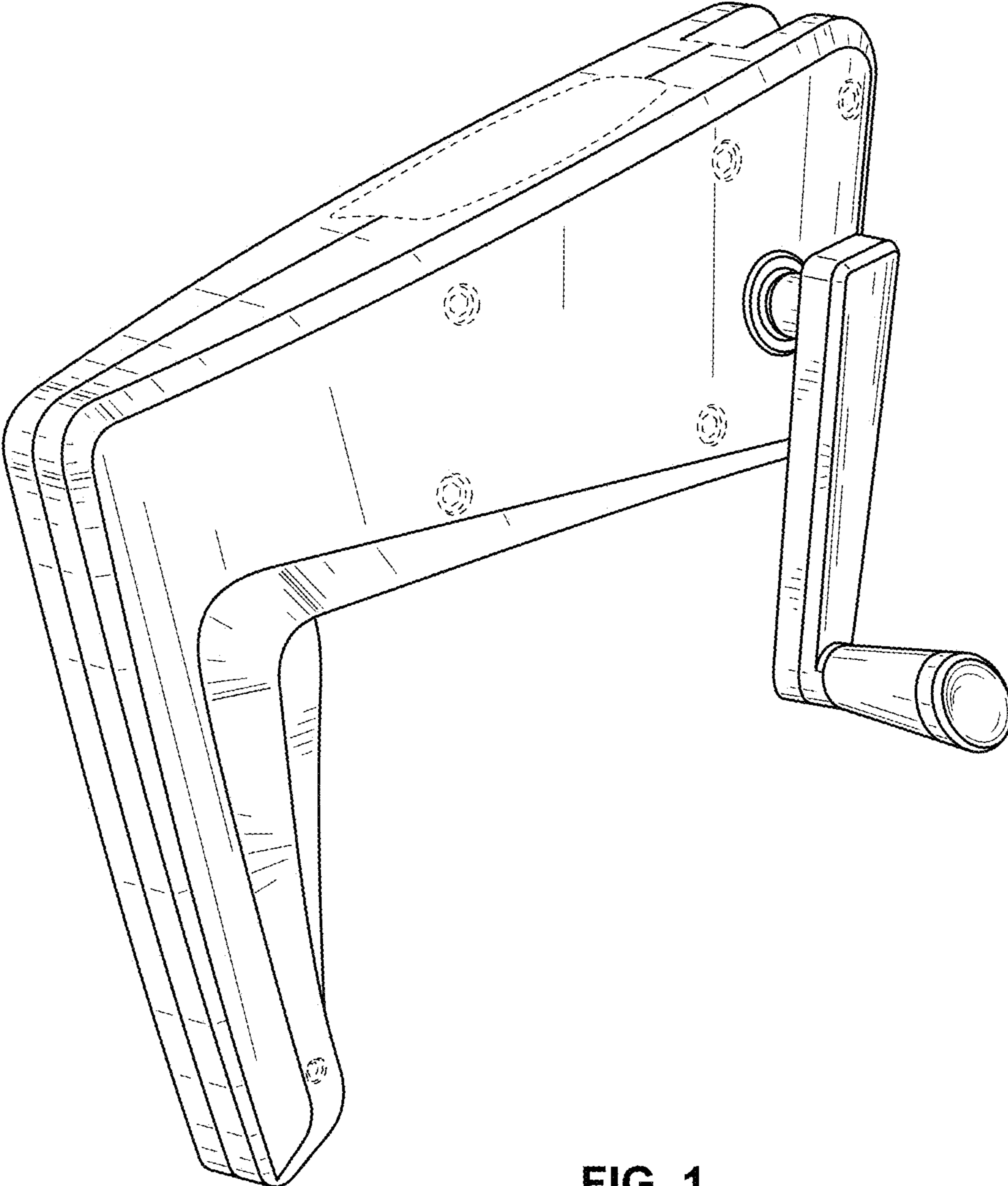


FIG. 1

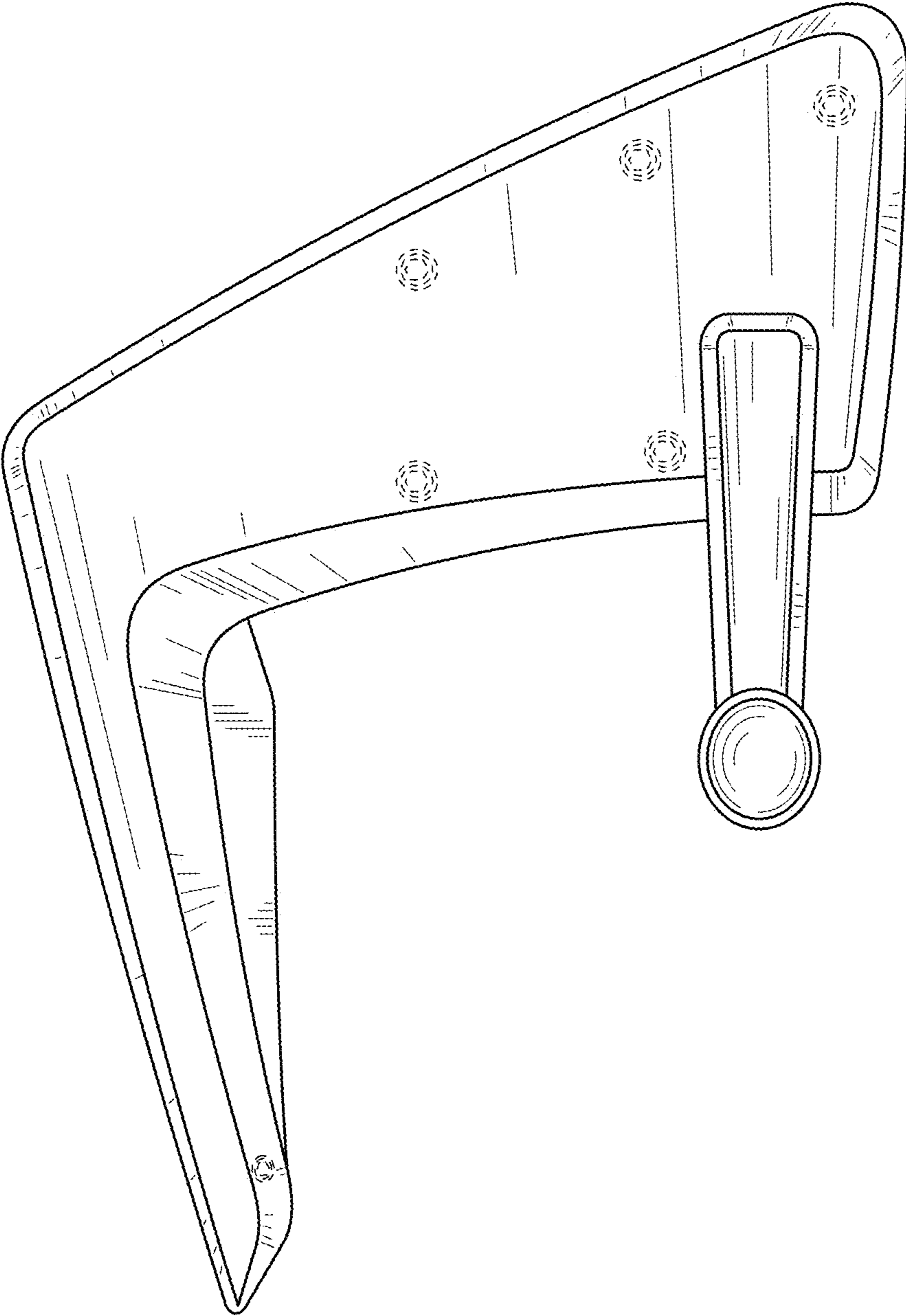


FIG. 2

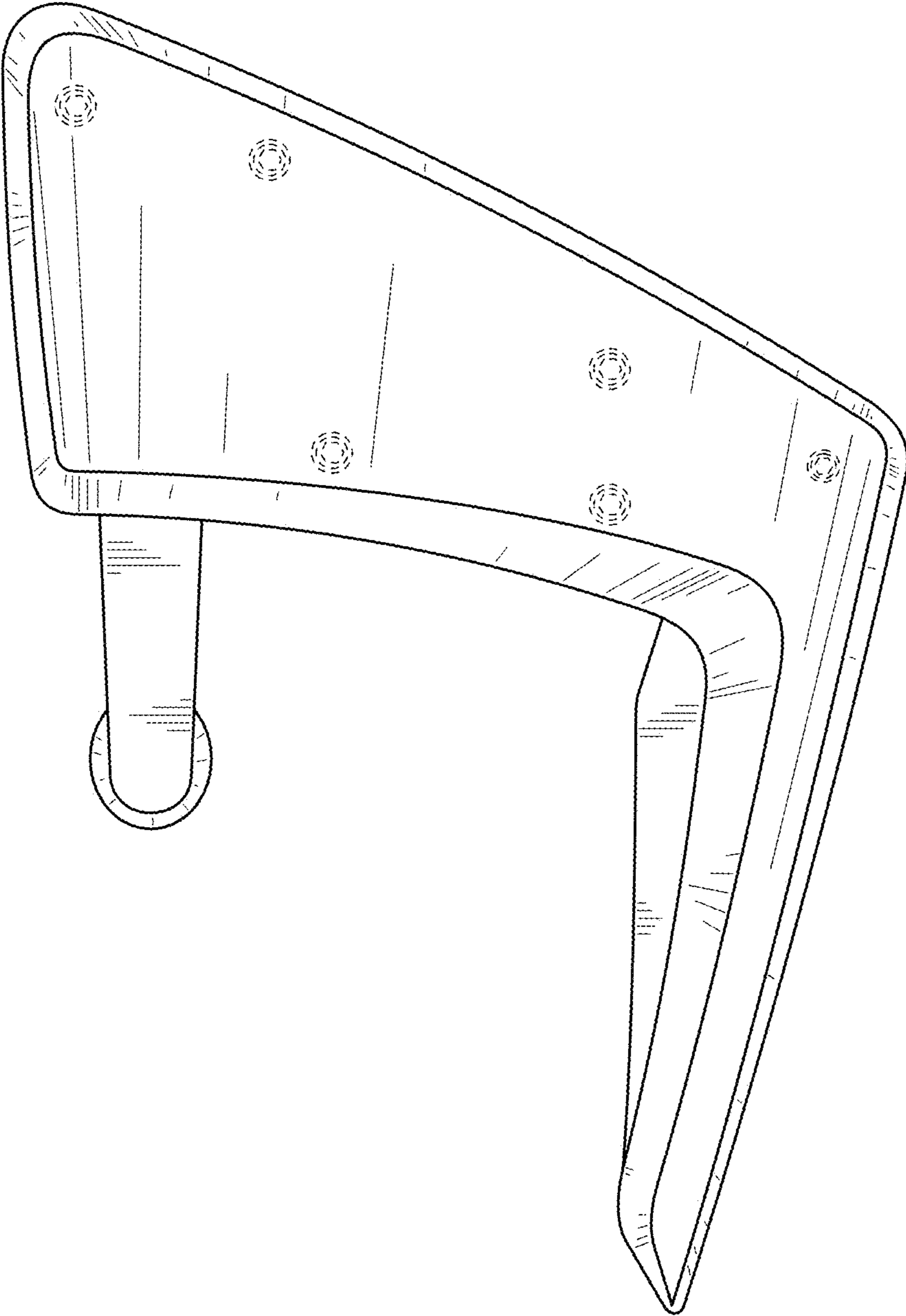


FIG. 3

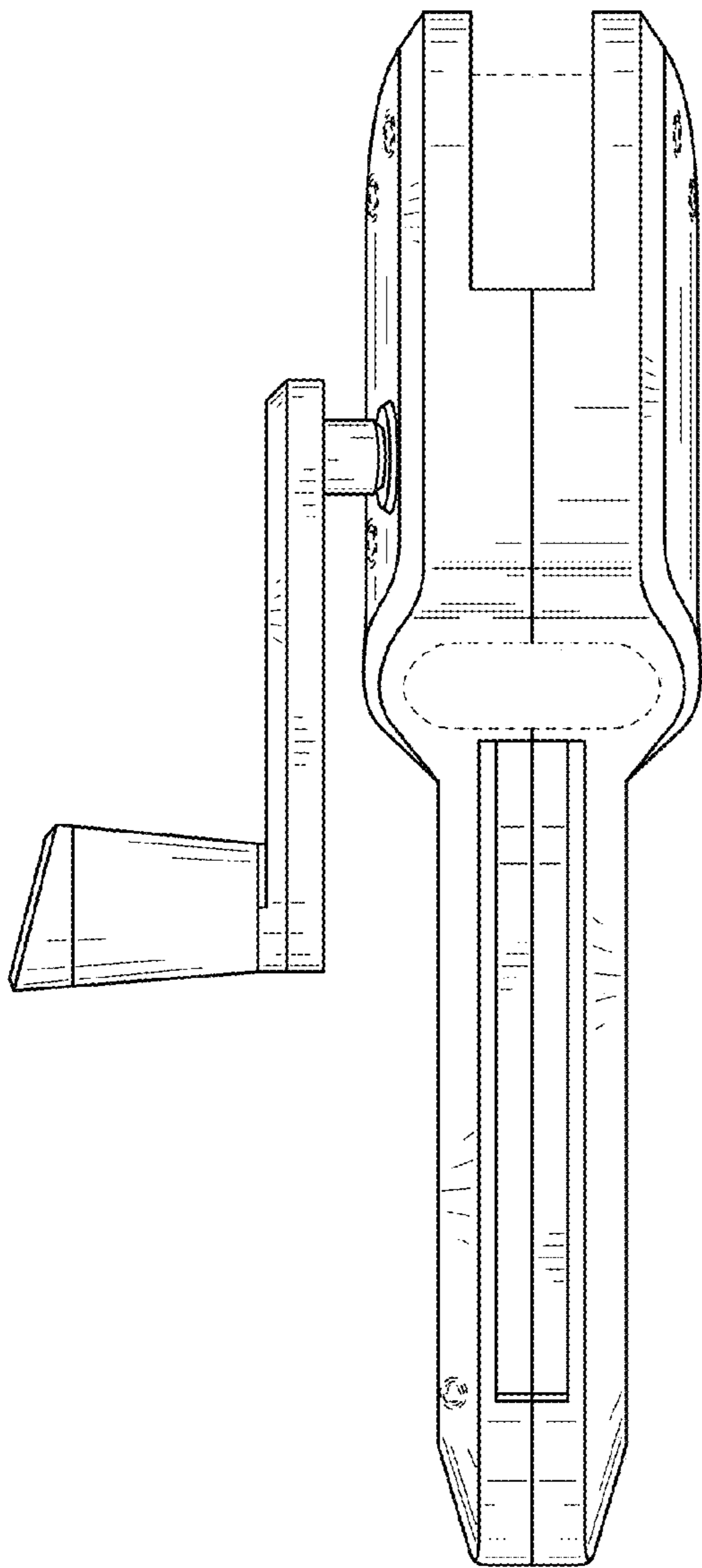


FIG. 4

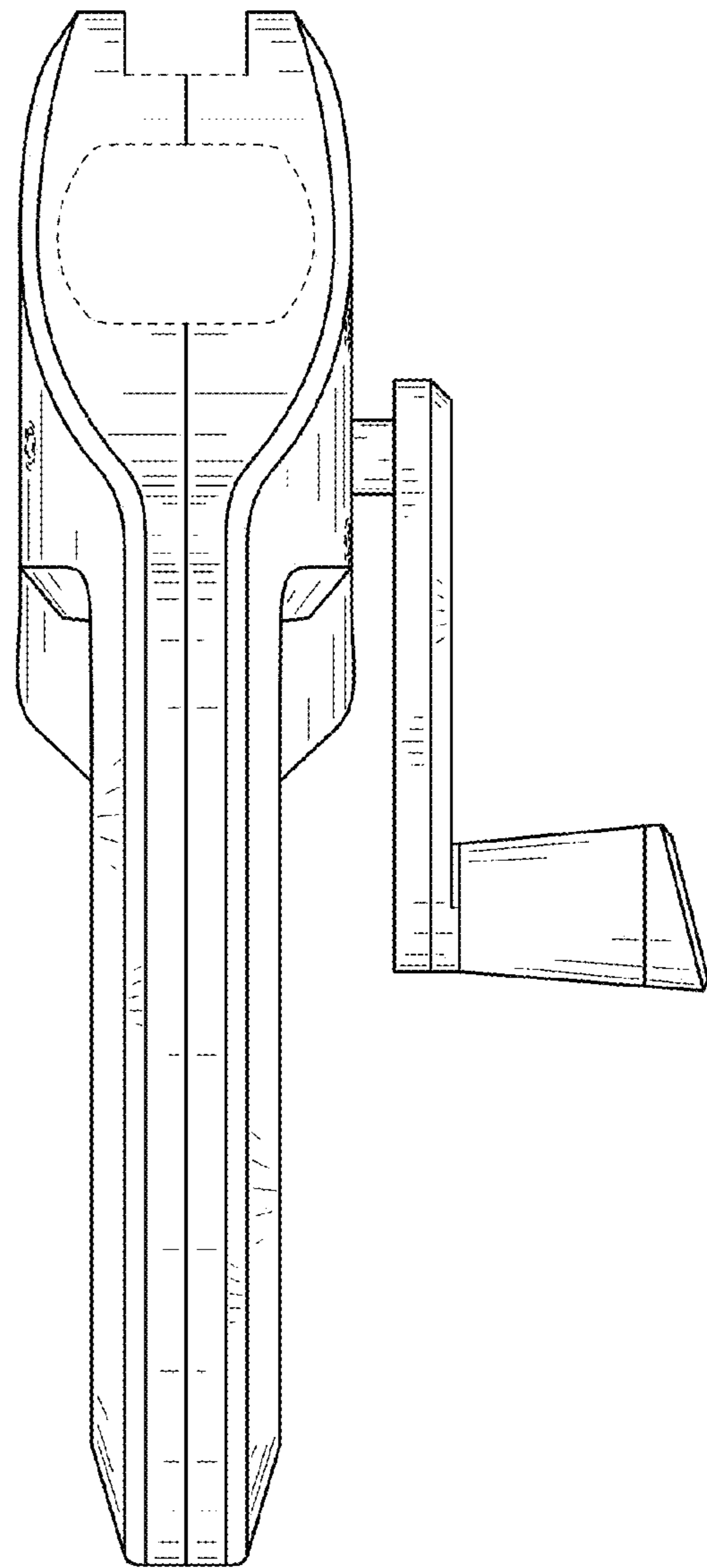


FIG. 5

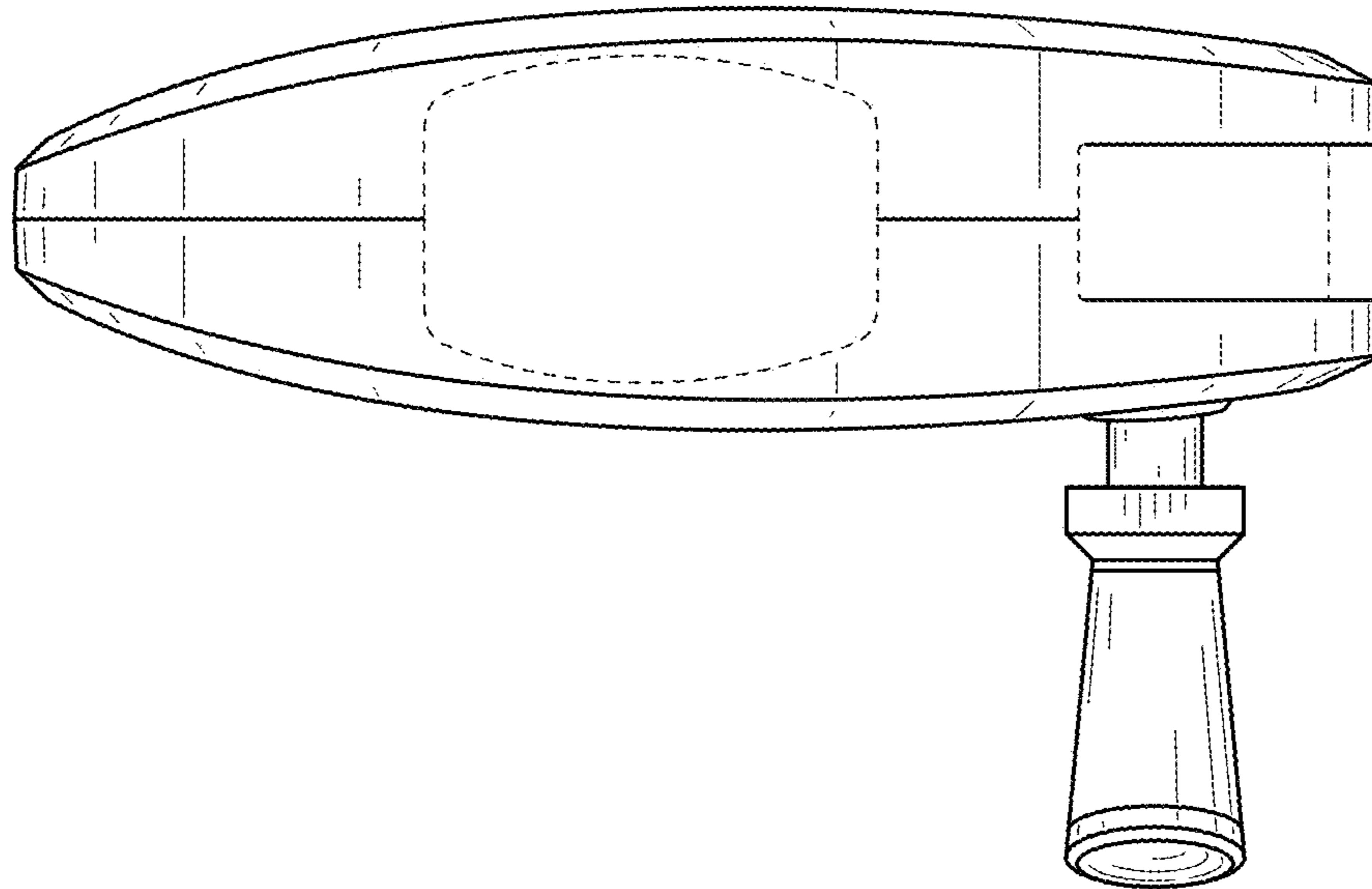


FIG. 6

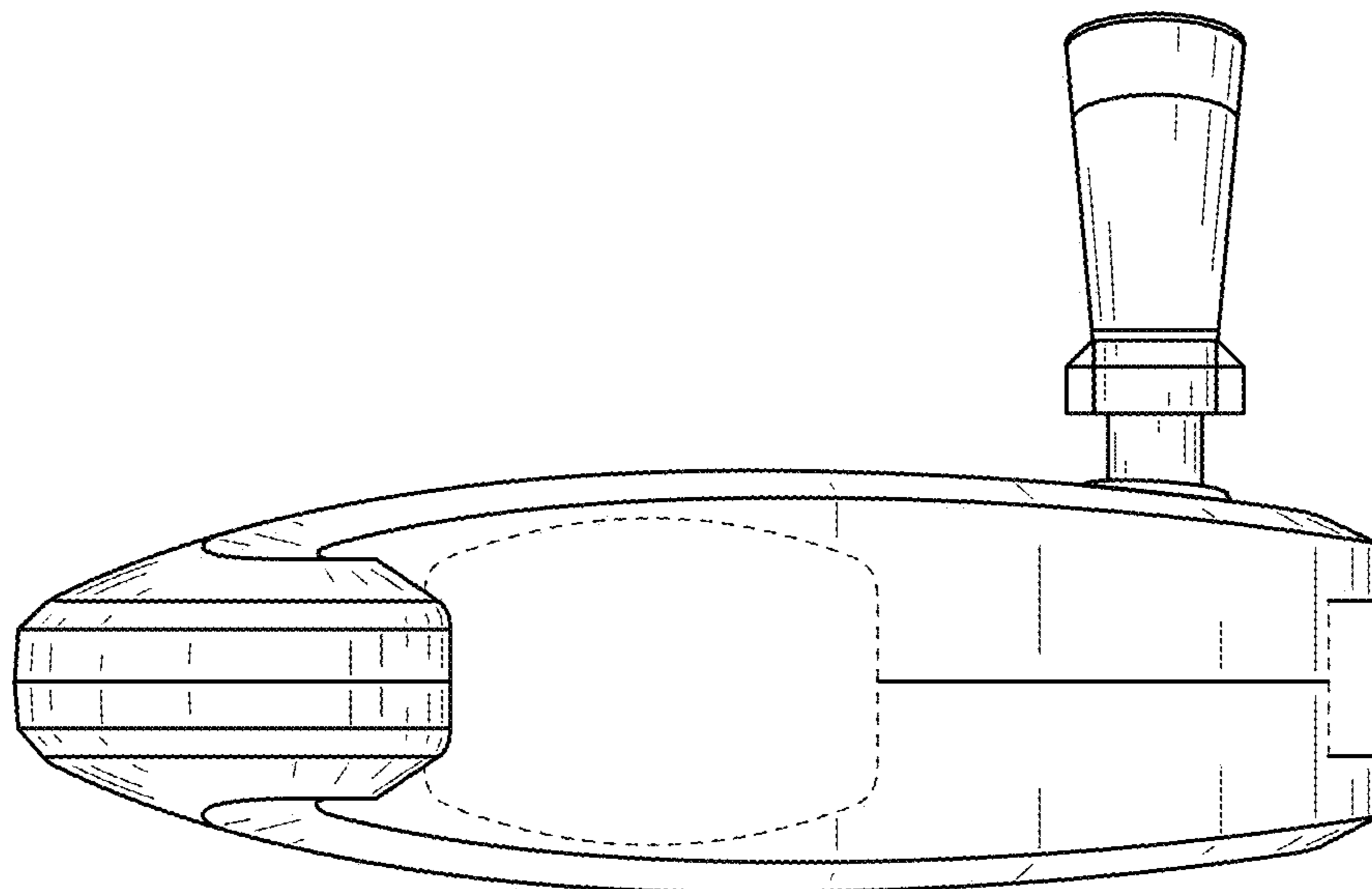


FIG. 7