



US00D886443S

(12) **United States Design Patent**
Hou

(10) **Patent No.:** **US D886,443 S**

(45) **Date of Patent:** **** Jun. 9, 2020**

(54) **YOGA SOCK**

(71) Applicant: **Meng Hou**, Hefei (CN)

(72) Inventor: **Meng Hou**, Hefei (CN)

(**) Term: **15 Years**

(21) Appl. No.: **29/667,682**

(22) Filed: **Oct. 24, 2018**

(51) **LOC (12) Cl.** **02-04**

(52) **U.S. Cl.**
USPC **D2/980**

(58) **Field of Classification Search**
USPC D2/980-994; D24/192
CPC . D04B 1/26; D04B 1/265; D04B 1/02; D04B
1/108; D04B 1/12; D04B 1/18; D04B
9/56; D04B 15/48; D04B 15/50; D04B
21/18; D04B 9/52; A61F 13/08; A61F
13/064; A61F 13/066; A61F 13/067;
A41B 11/003; A41B 11/02; A41B 11/00
See application file for complete search history.

(56) **References Cited**

U.S. PATENT DOCUMENTS

7,926,203 B2 * 4/2011 Wilkenfeld A43B 5/12
36/8.3
D655,908 S * 3/2012 Eakin D2/980

D716,026 S * 10/2014 Hazzouri D2/951
D778,041 S * 2/2017 Patterson D2/980
D782,178 S * 3/2017 Sudit D2/980
D786,548 S * 5/2017 Patterson D2/980
D812,892 S * 3/2018 Sudit D2/980
D840,669 S * 2/2019 Carter D2/980
D843,706 S * 3/2019 Donohoe D2/980
2012/0090077 A1 * 4/2012 Brown A63B 71/1225
2/239

* cited by examiner

Primary Examiner — Jennifer L Watkins

(57) **CLAIM**

The ornamental design for a yoga sock, as shown and described.

DESCRIPTION

FIG. 1 is a perspective view of the yoga sock showing my new design;
FIG. 2 is a front elevational view thereof;
FIG. 3 is a rear elevational view thereof;
FIG. 4 is a left side elevational view thereof;
FIG. 5 is a right side elevational view thereof;
FIG. 6 is a top plan view thereof; and,
FIG. 7 is a bottom plan view thereof.
The broken lines are for the purpose of illustrating portions of the yoga sock and form no part of the claimed design.

1 Claim, 7 Drawing Sheets



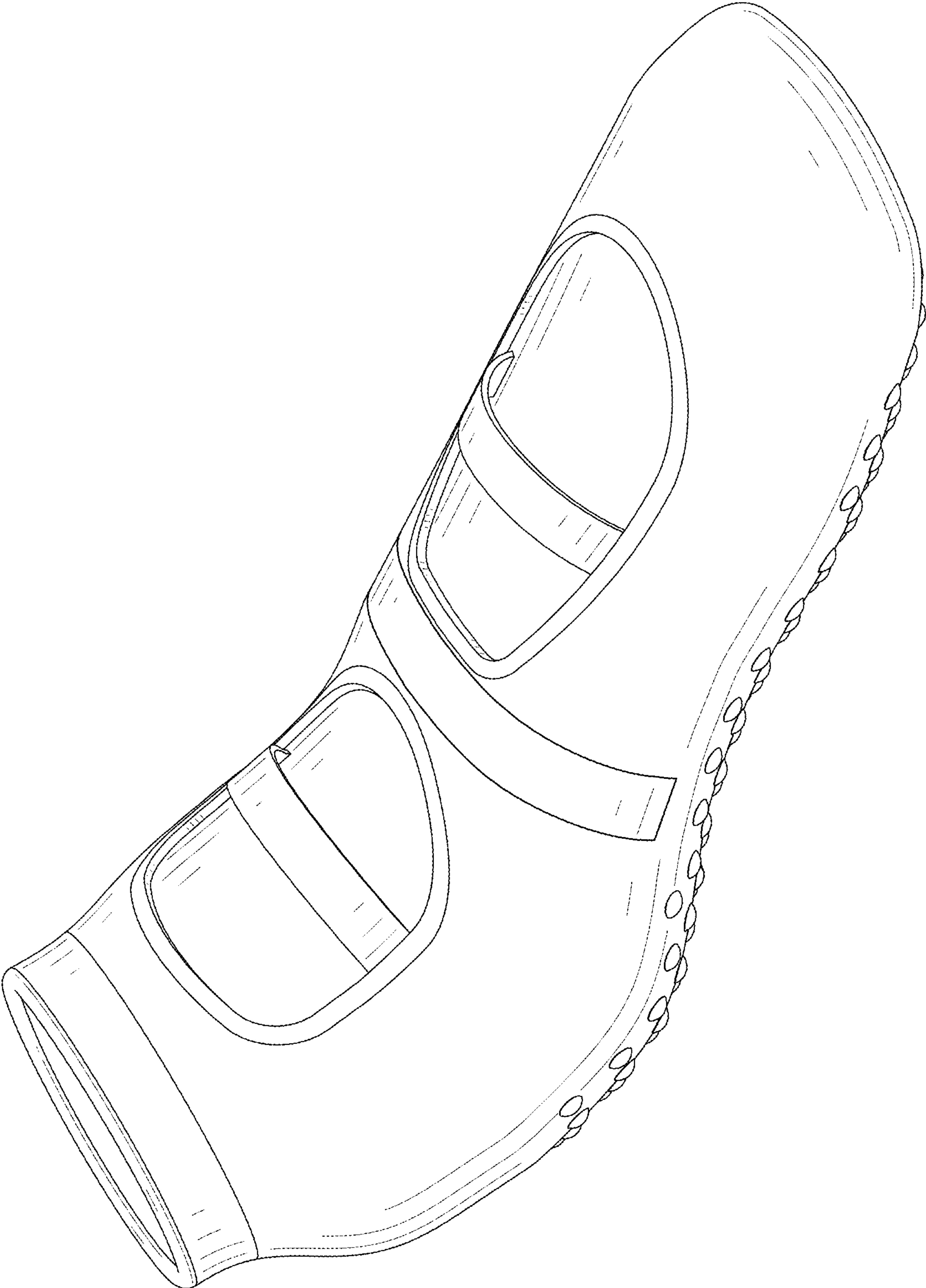


FIG. 1

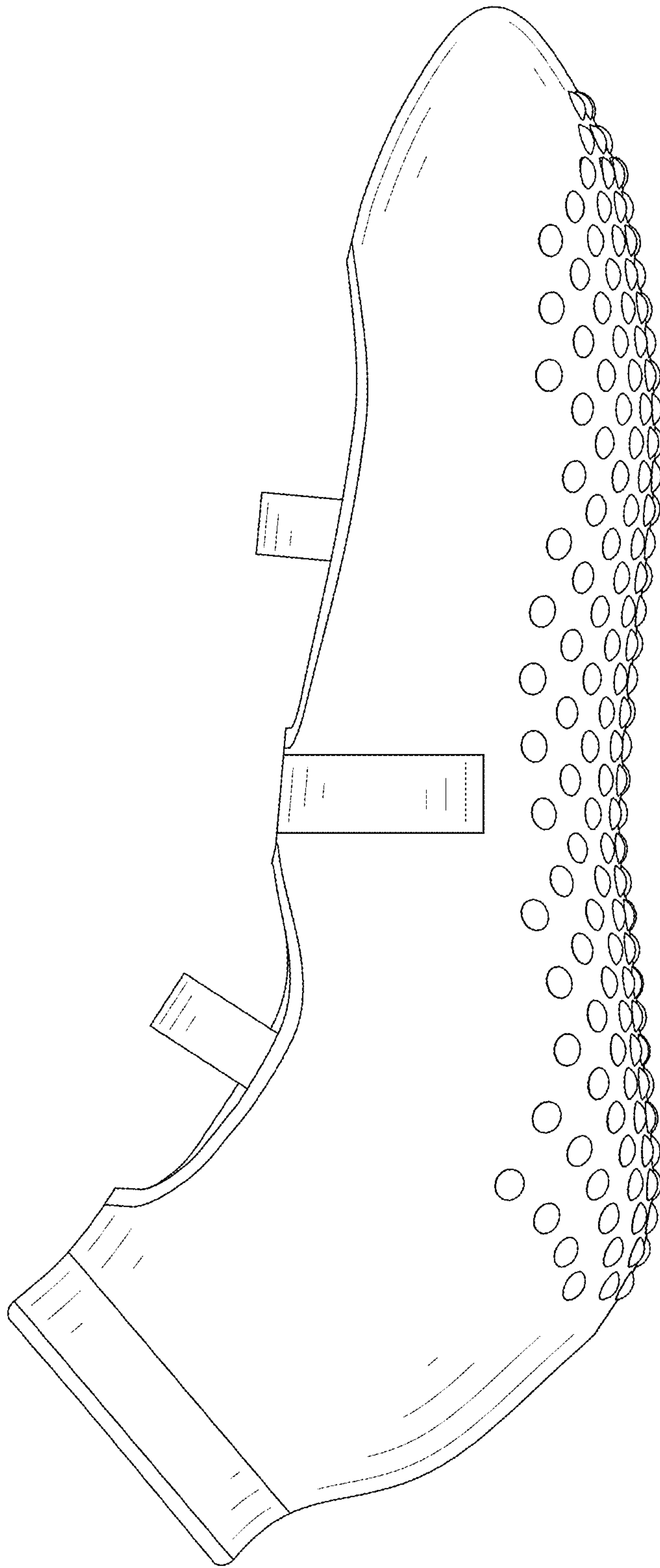


FIG. 2

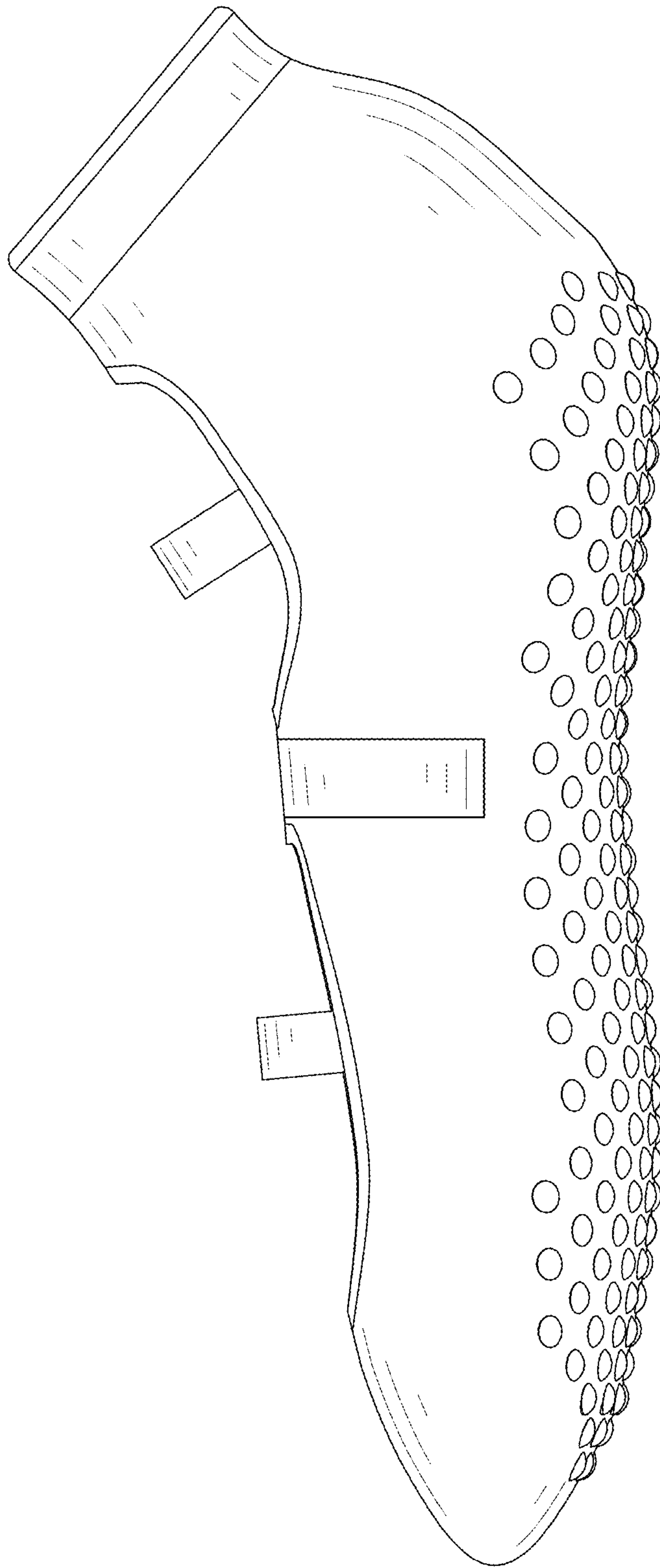


FIG. 3

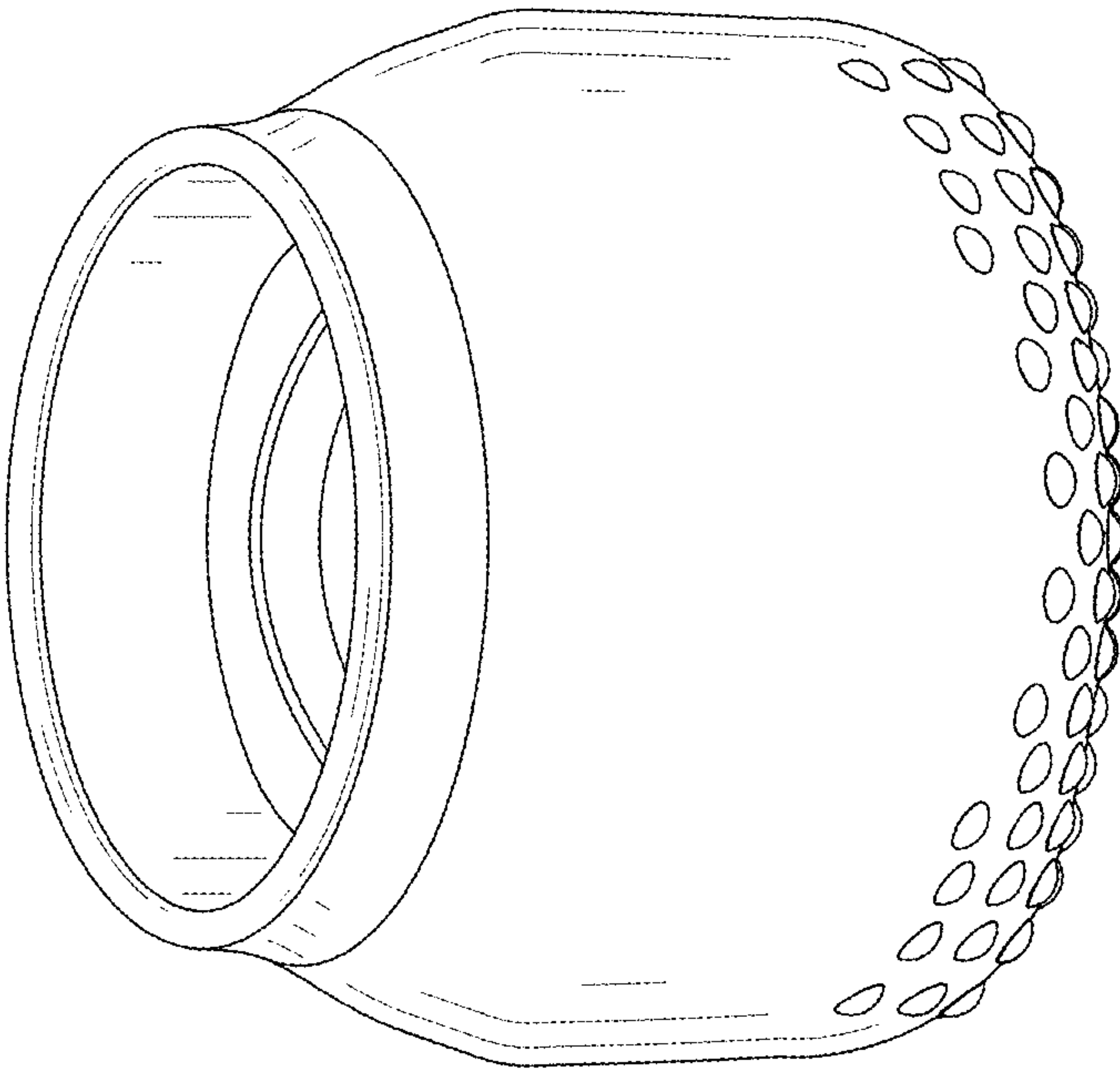


FIG. 4

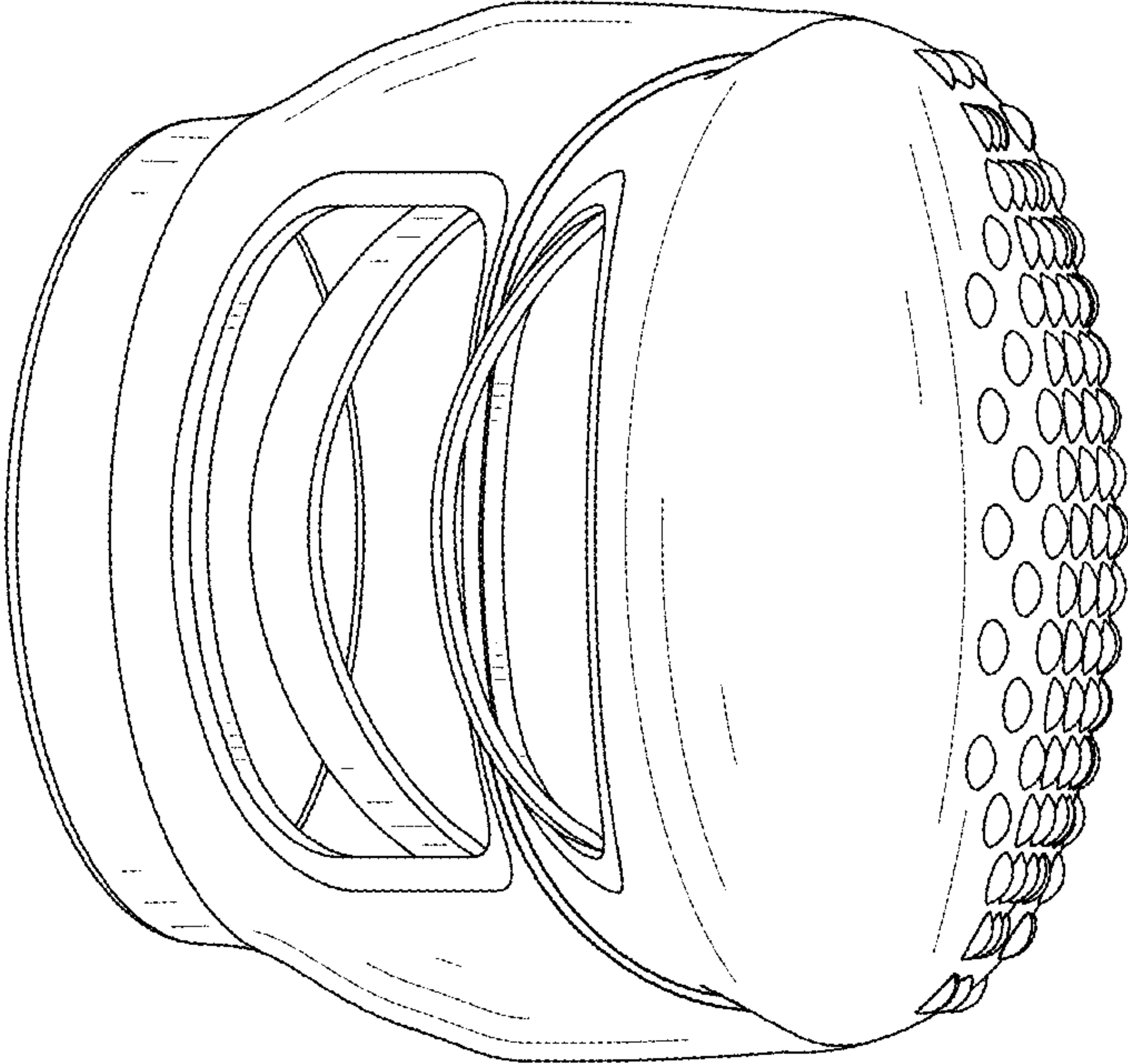


FIG. 5

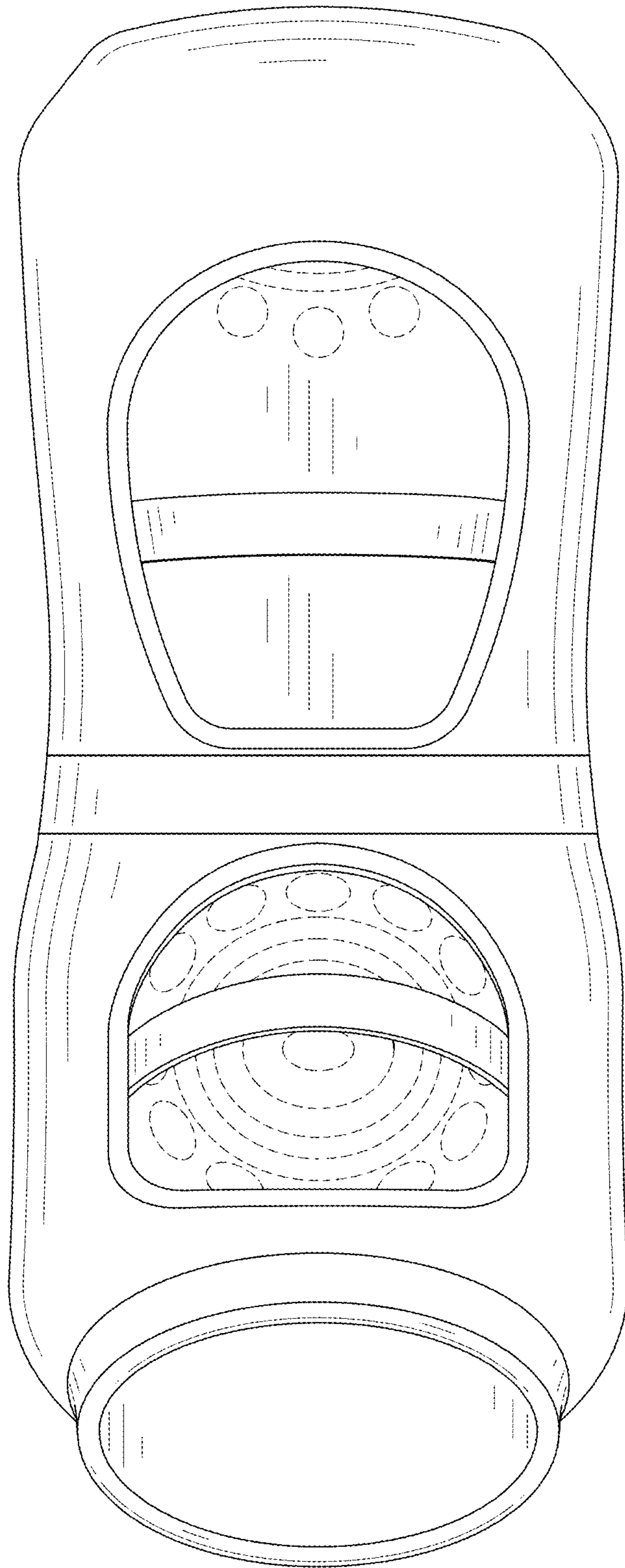


FIG. 6

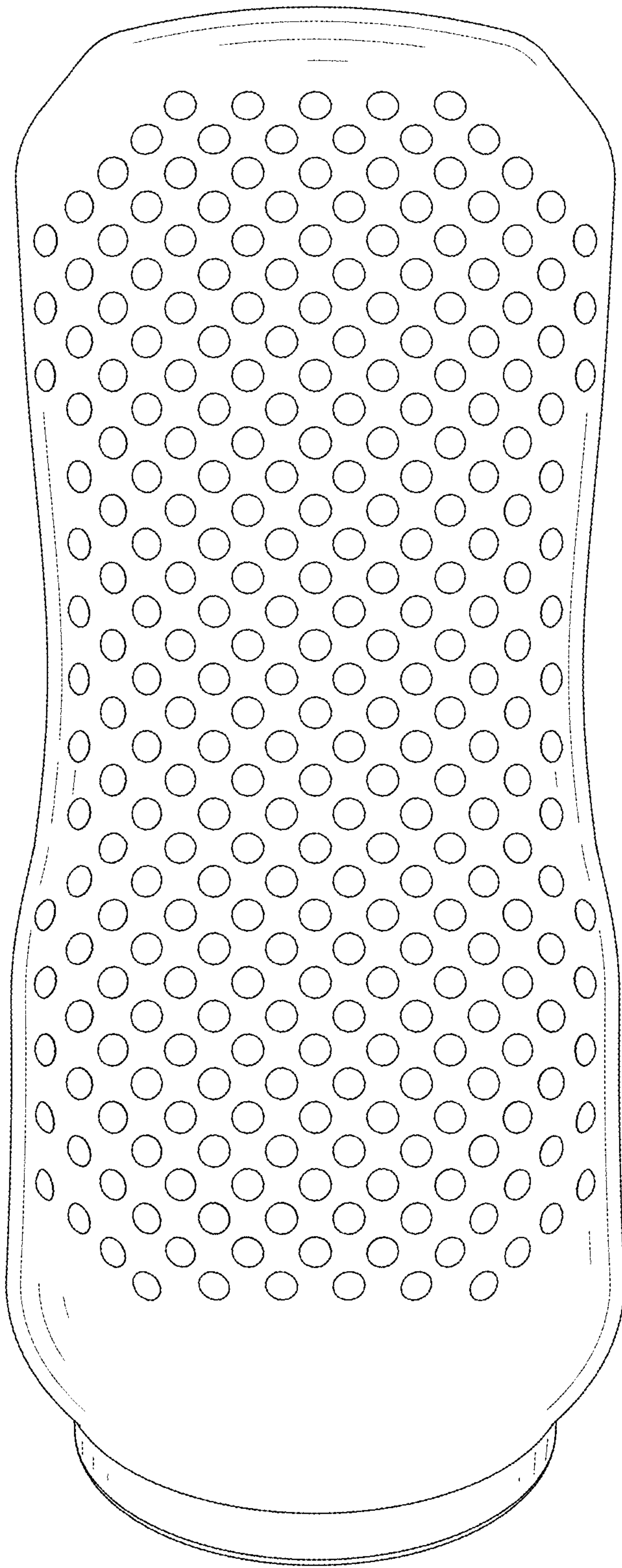


FIG. 7