



US00D886417S

(12) **United States Design Patent** (10) **Patent No.:** **US D886,417 S**
Smith (45) **Date of Patent:** **** Jun. 9, 2020**

(54) **COLLAR STAY** 2,744,255 A * 5/1956 Portias A41B 3/06
2/132
(71) Applicant: **PVH Corp.**, New York, NY (US) D334,156 S 3/1993 Sprick
D449,250 S 10/2001 Everett
(72) Inventor: **Christine Smith**, New York, NY (US) D507,205 S 7/2005 Bier et al.
D640,042 S 6/2011 Biancamano
(73) Assignee: **PVH CORP.**, New York, NY (US) D671,715 S 12/2012 Schottenstein
8,950,014 B2 * 2/2015 Schottenstein A41B 3/06
2/132
(**) Term: **15 Years** 9,526,274 B2 12/2016 English
D822,953 S * 7/2018 Lowe D2/859

(21) Appl. No.: **29/632,797**

(22) Filed: **Jan. 10, 2018**

(51) **LOC (12) Cl.** **02-02**

(52) **U.S. Cl.**
USPC **D2/859**

(58) **Field of Classification Search**
USPC D2/859; D11/222, 215
CPC A41B 3/00; A41B 3/06
See application file for complete search history.

(56) **References Cited**

U.S. PATENT DOCUMENTS

1,414,119 A * 4/1922 Feigenbaum A41B 3/06
2/132
1,826,176 A * 10/1931 Hutchison A41B 3/06
2/132
1,845,884 A * 2/1932 Marinsky A41B 3/06
2/116
2,510,030 A * 5/1950 Carlisle, Jr. A41B 3/06
2/132

* cited by examiner

Primary Examiner — Kevin K Rudzinski

(74) *Attorney, Agent, or Firm* — Venable LLP

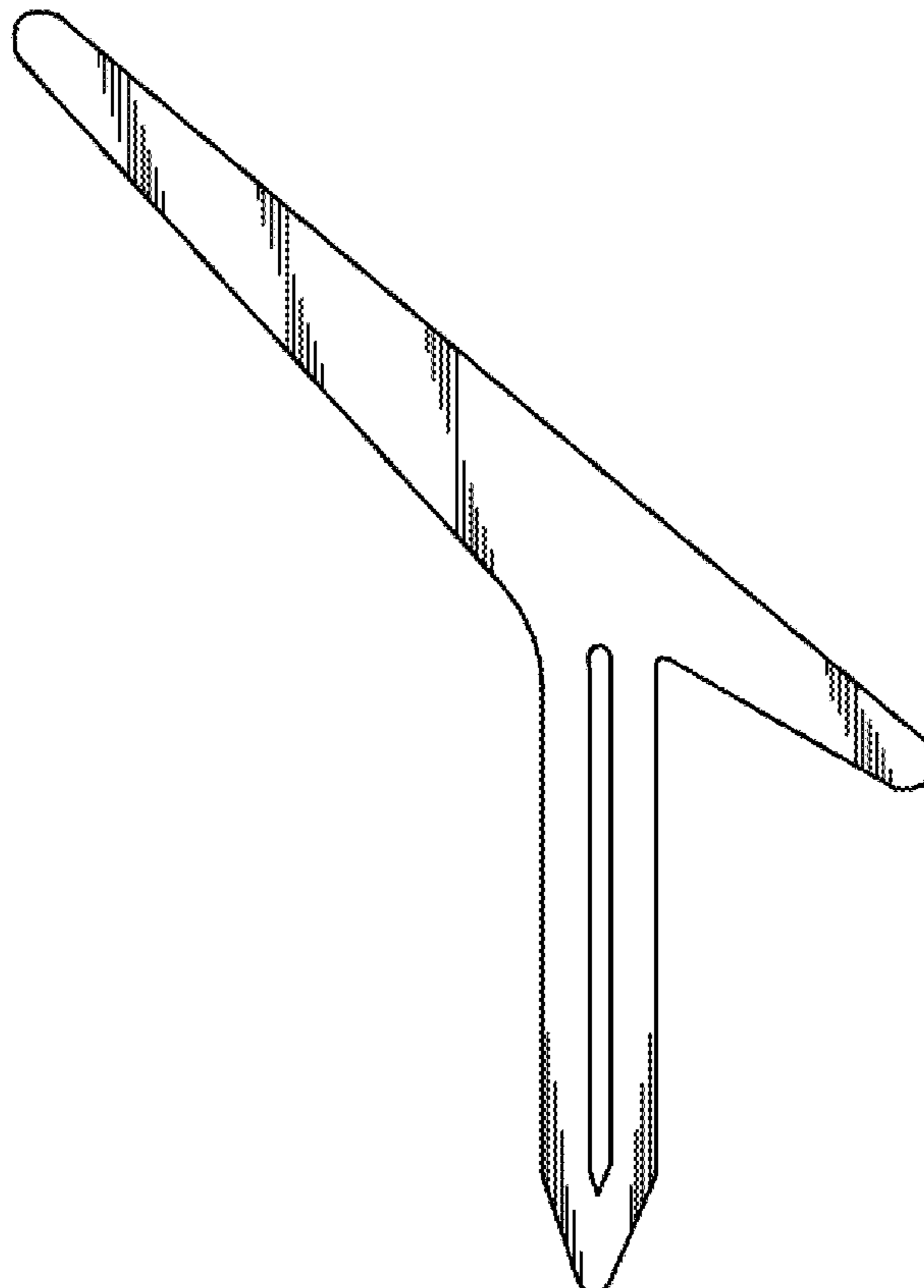
(57) **CLAIM**

The ornamental design for a collar stay, as shown and described.

DESCRIPTION

FIG. 1 is a perspective view of a collar stay showing my new design;
FIG. 2 is a right side view thereof;
FIG. 3 is a left side view thereof;
FIG. 4 is a bottom plan view thereof;
FIG. 5 is a top plan view thereof;
FIG. 6 is a rear view thereof; and,
FIG. 7 is a front view thereof.

1 Claim, 4 Drawing Sheets



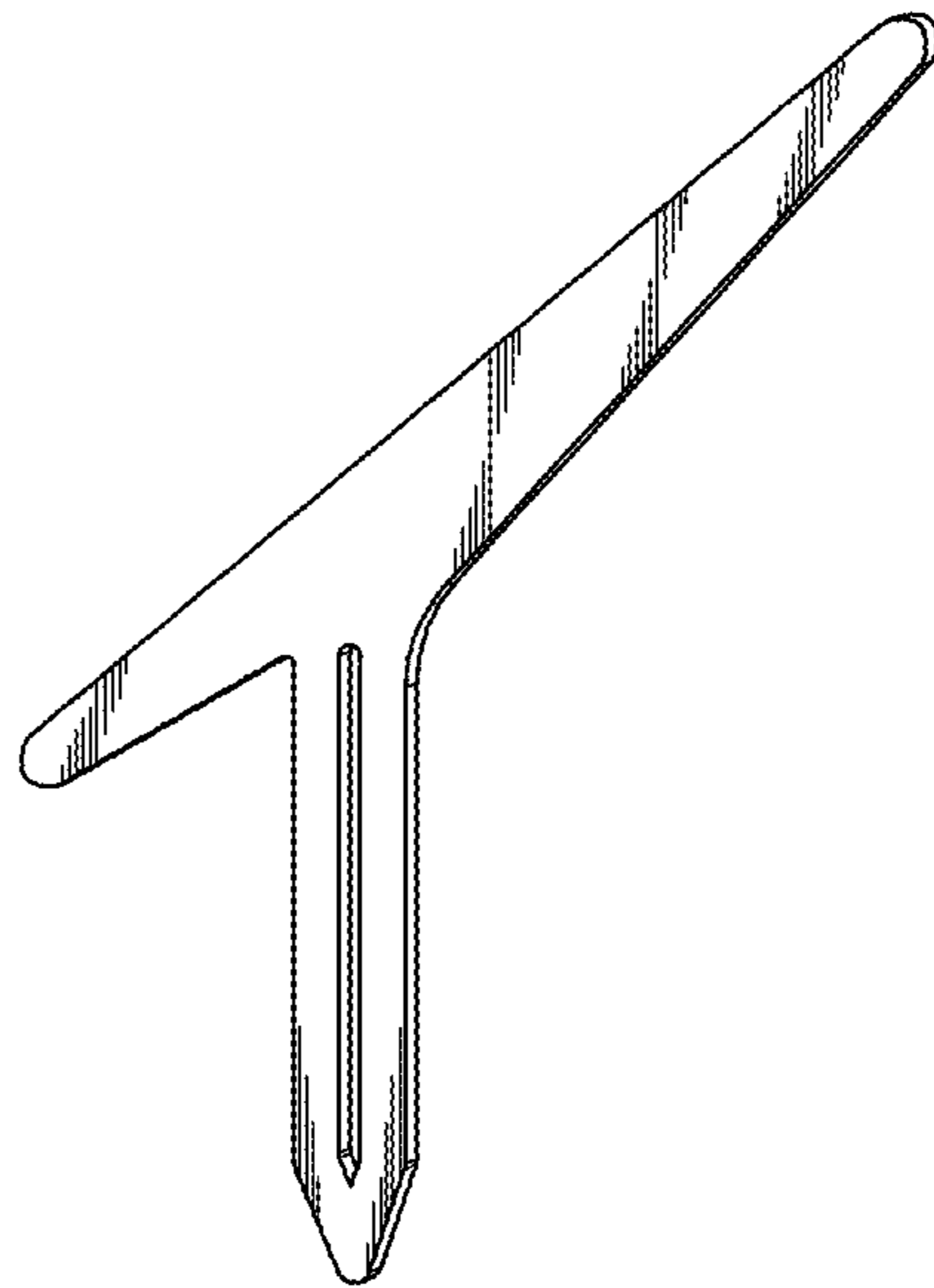


FIG. 1

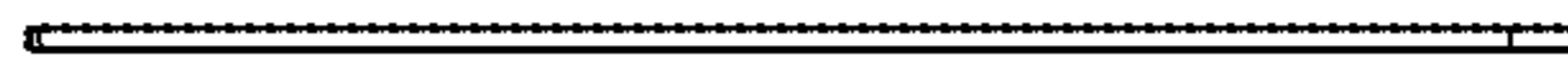


FIG. 2

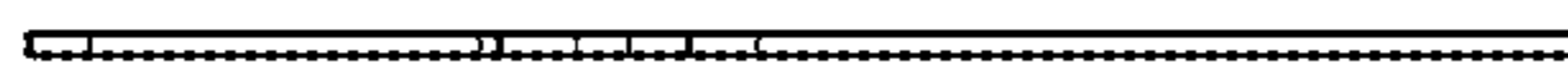


FIG. 3

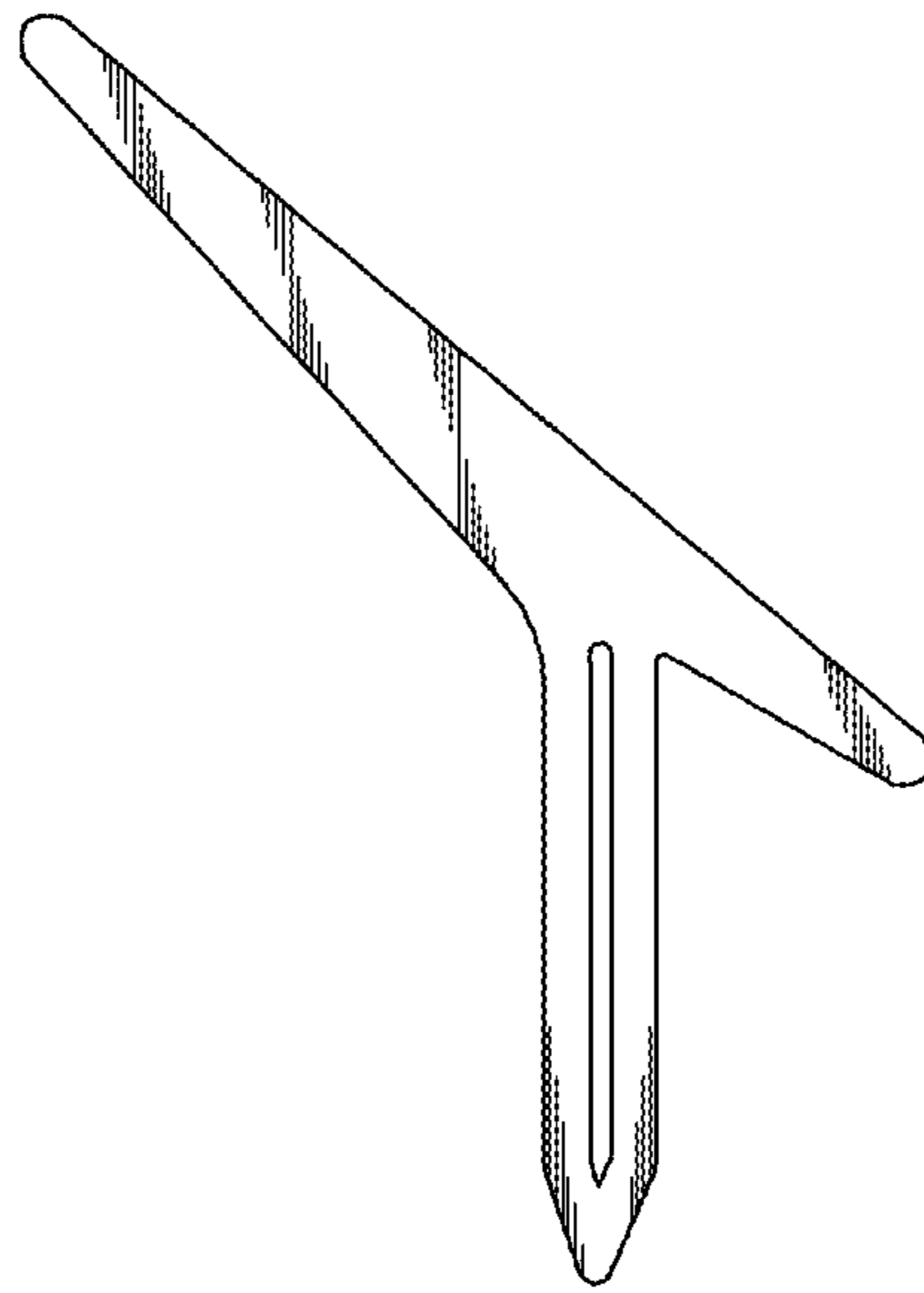


FIG. 4

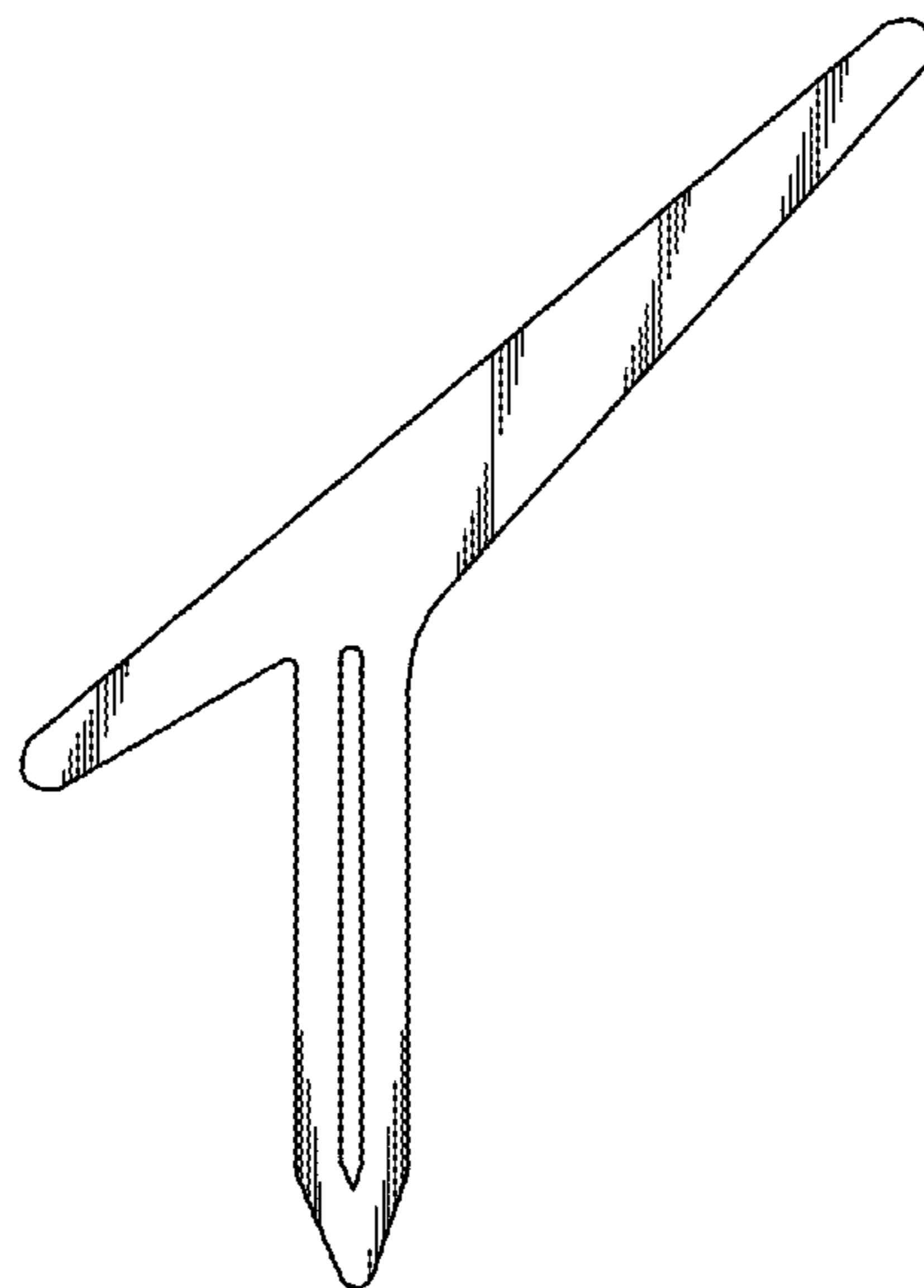


FIG. 5



FIG. 6



FIG. 7