



US00D886409S

(12) **United States Design Patent**
Melendez et al.

(10) **Patent No.:** **US D886,409 S**
(45) **Date of Patent:** **** Jun. 9, 2020**

(54) **SPORTS BRA**

(71) Applicant: **Spanx, Inc.**, Atlanta, GA (US)

(72) Inventors: **Angelica Melendez**, Atlanta, GA (US);
Chloe Wieser, Decatur, GA (US)

(73) Assignee: **Spanx, Inc.**, Atlanta, GA (US)

(**) Term: **15 Years**

(21) Appl. No.: **29/711,917**

(22) Filed: **Nov. 4, 2019**

Related U.S. Application Data

(63) Continuation of application No. 29/645,950, filed on Apr. 30, 2018, now Pat. No. Des. 865,323.

(51) **LOC (12) Cl.** **02-01**

(52) **U.S. Cl.**
USPC **D2/706**

(58) **Field of Classification Search**
USPC D2/706, 708, 731, 793-794; 450/1
CPC A41C 3/00; A41C 3/0057
See application file for complete search history.

(56) **References Cited**

U.S. PATENT DOCUMENTS

D259,370	S	6/1981	Schreiber	
4,311,150	A	1/1982	Schreiber	
5,823,851	A	10/1998	Dicker	
7,549,302	B2 *	6/2009	Duckham A41C 3/0014 66/176
D658,353	S	5/2012	Cage	
D817,596	S	5/2018	Hamm	
D820,555	S *	6/2018	Hanazawa D2/706
D835,884	S	12/2018	Alligood	
D842,582	S	3/2019	Rendone	
D843,081	S	3/2019	Rendone	
D865,323	S *	11/2019	Melendez D2/706
2011/0217903	A1	9/2011	Harlow	
2019/0008215	A1	1/2019	DeIulio	
2019/0037930	A1	2/2019	Rendone	

2019/0082749	A1 *	3/2019	Ward A41C 3/0057
2019/0110524	A1	4/2019	Kelley	
2019/0254358	A1 *	8/2019	Wittstadt A41C 3/0035

OTHER PUBLICATIONS

Spanx Workout to Waves Mesh Panel Bra, posted 2018 [online], (retrieved on Feb. 12, 2020), Retrieved on the internet, https://www.amazon.com/SPANX-Workout-Waves-Panel-Sports/dp/B079K1HWZV/ref=sr_1_5?dchild=1&keywords=spanx+mesh+bra&qid=1581519222&sr=8-5 (Year: 2018).*

* cited by examiner

Primary Examiner — Barbara Fox

Assistant Examiner — J. Thorn, Sr.

(74) *Attorney, Agent, or Firm* — Meunier Carlin & Curfman LLC

(57) **CLAIM**

The ornamental design for a sports bra, as shown and described.

DESCRIPTION

FIG. 1 is a front perspective view of a sports bra showing our new design.

FIG. 2 is a front view thereof.

FIG. 3 is a rear view thereof.

FIG. 4 is a right-side view thereof.

FIG. 5 is a left-side view thereof.

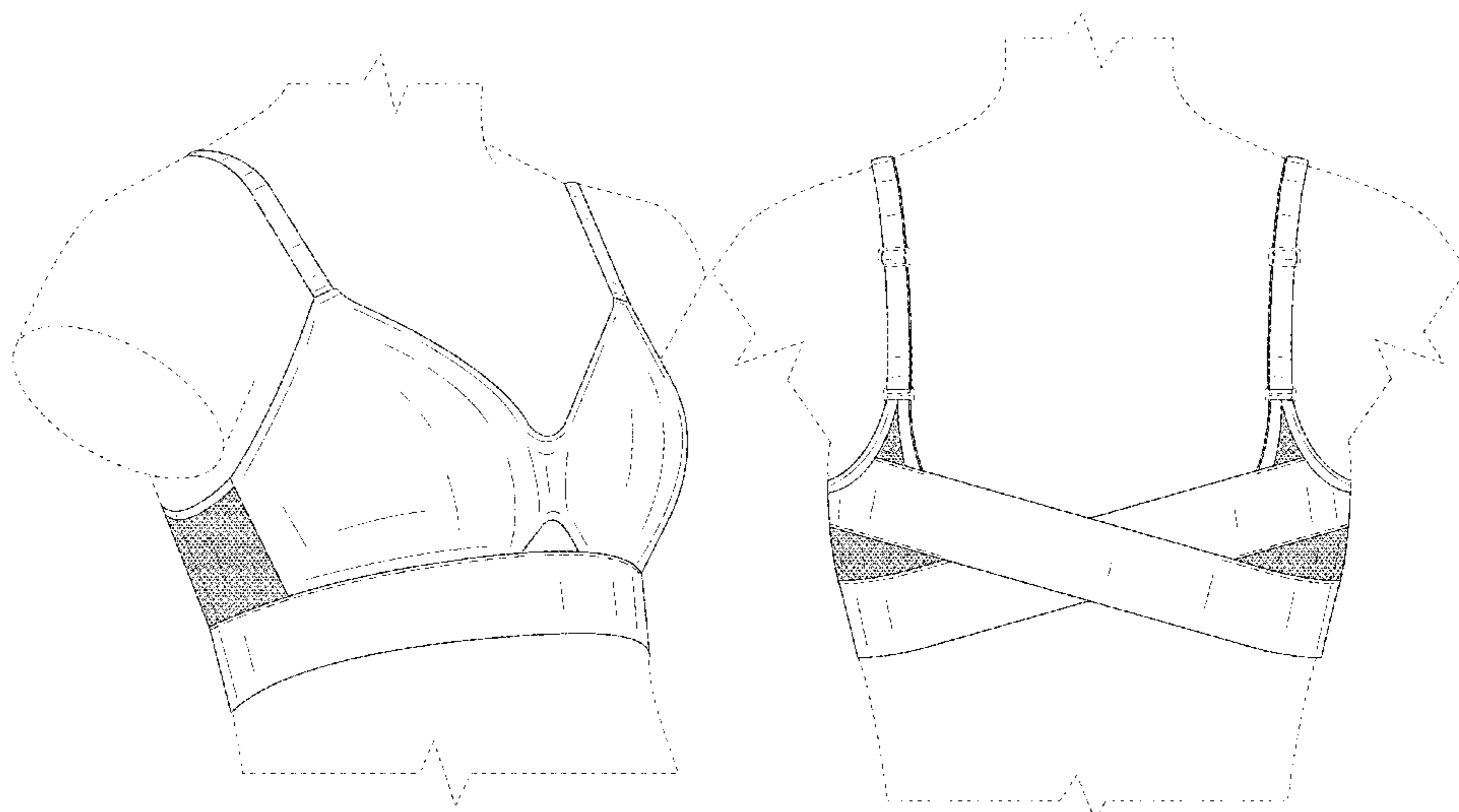
FIG. 6 is a top view thereof; and,

FIG. 7 is a bottom view thereof.

The partial human figure rendered in short broken lines in FIGS. 1-7 illustrates environmental subject matter intended to assist in showing how the design appears when in use and forms no part of the claim. The short broken lines showing elements of the sports bra in the drawings illustrate features of the article of manufacture that form no part of the claimed design.

The dotted pattern shown in the drawings illustrates a mesh material or fabric.

1 Claim, 7 Drawing Sheets



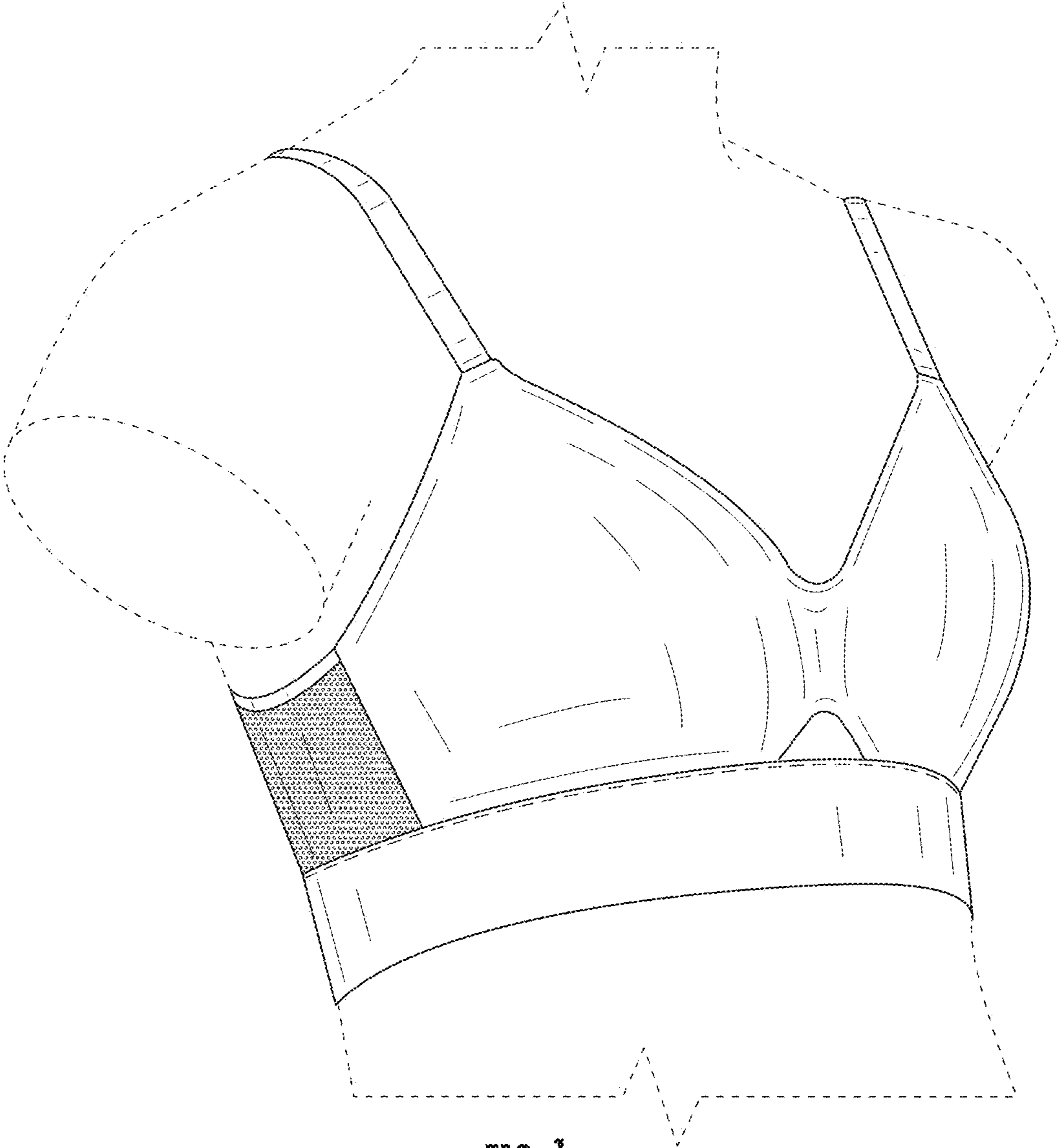


FIG. 1

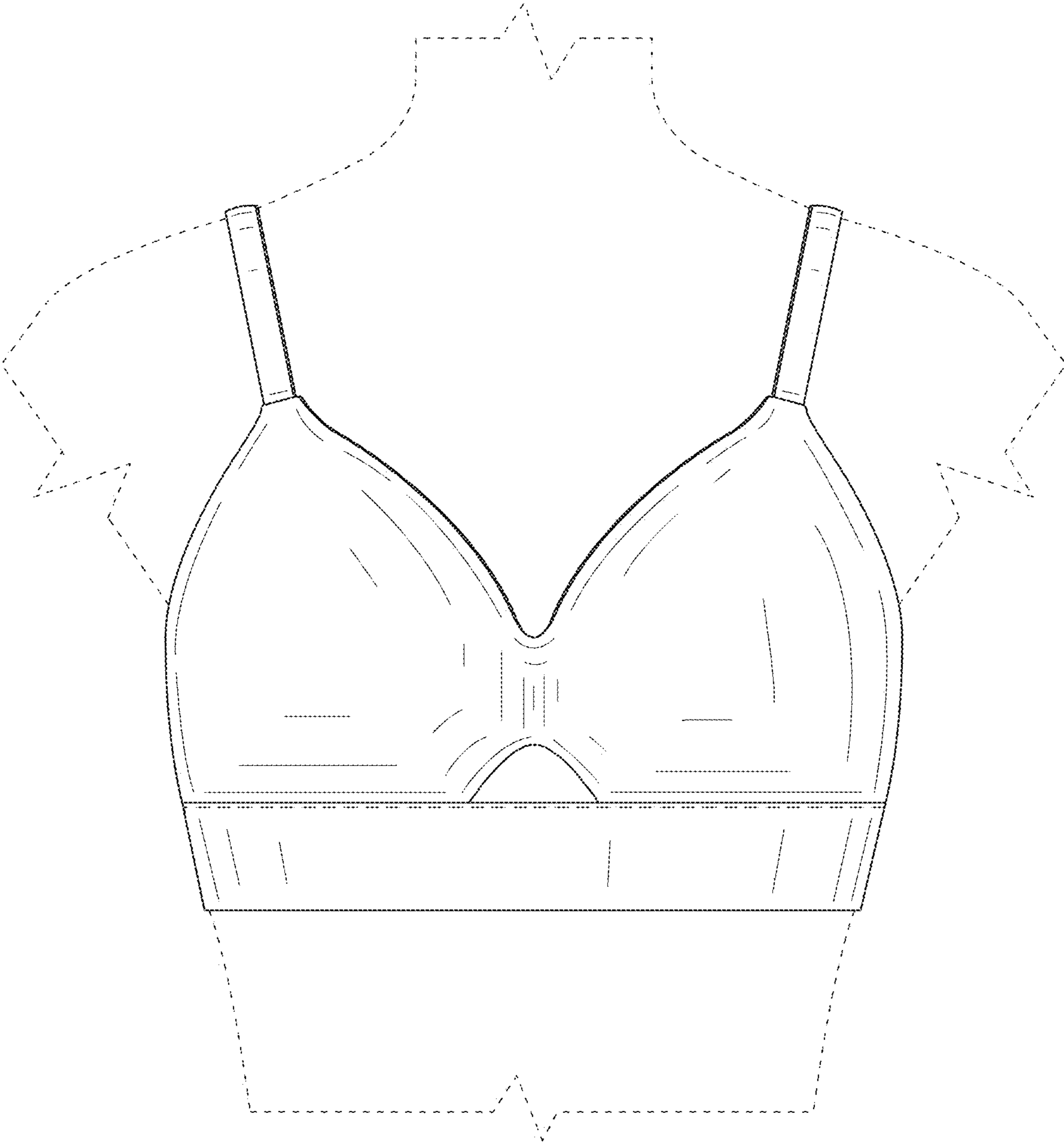


FIG. 2

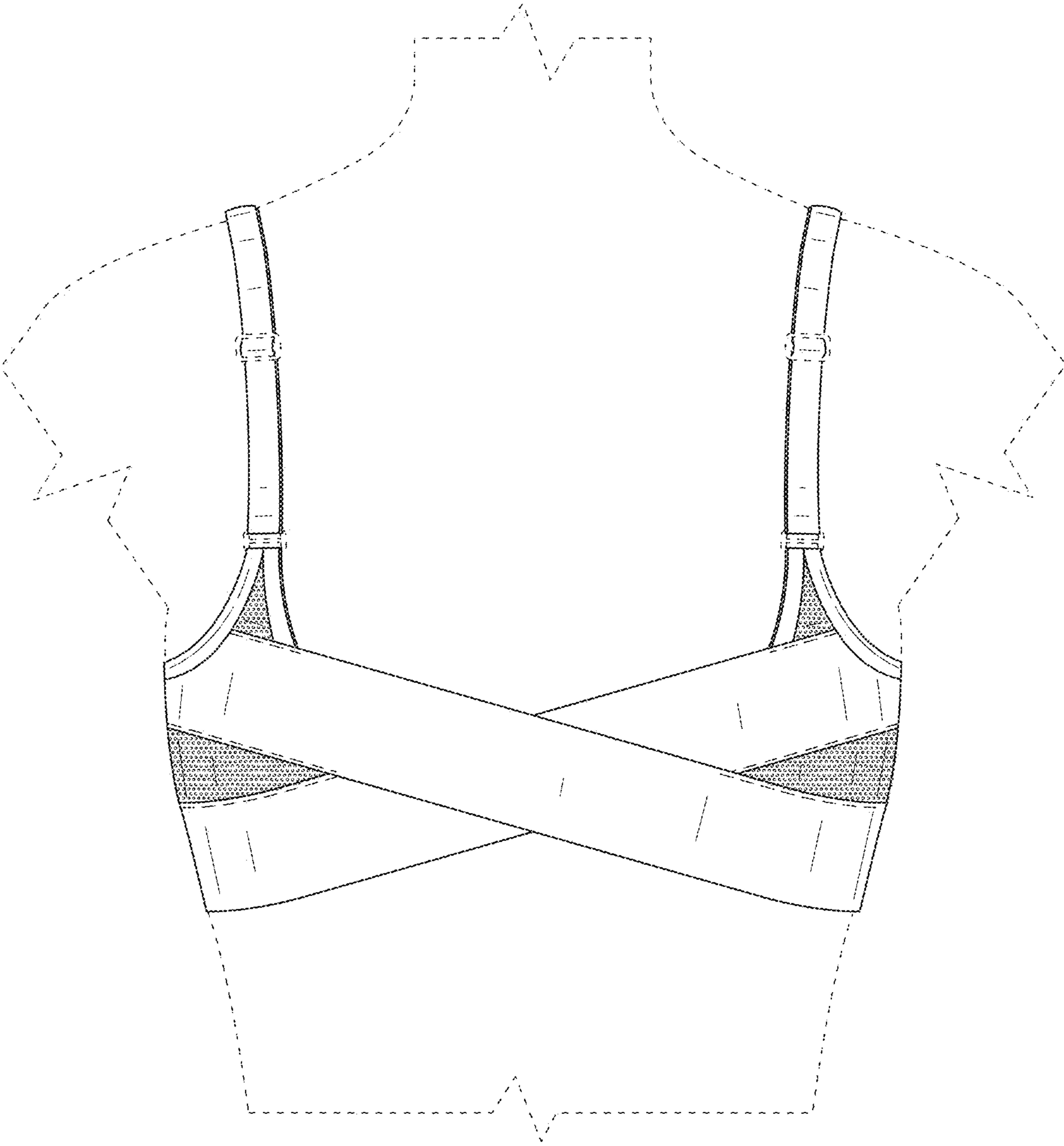


FIG. 3

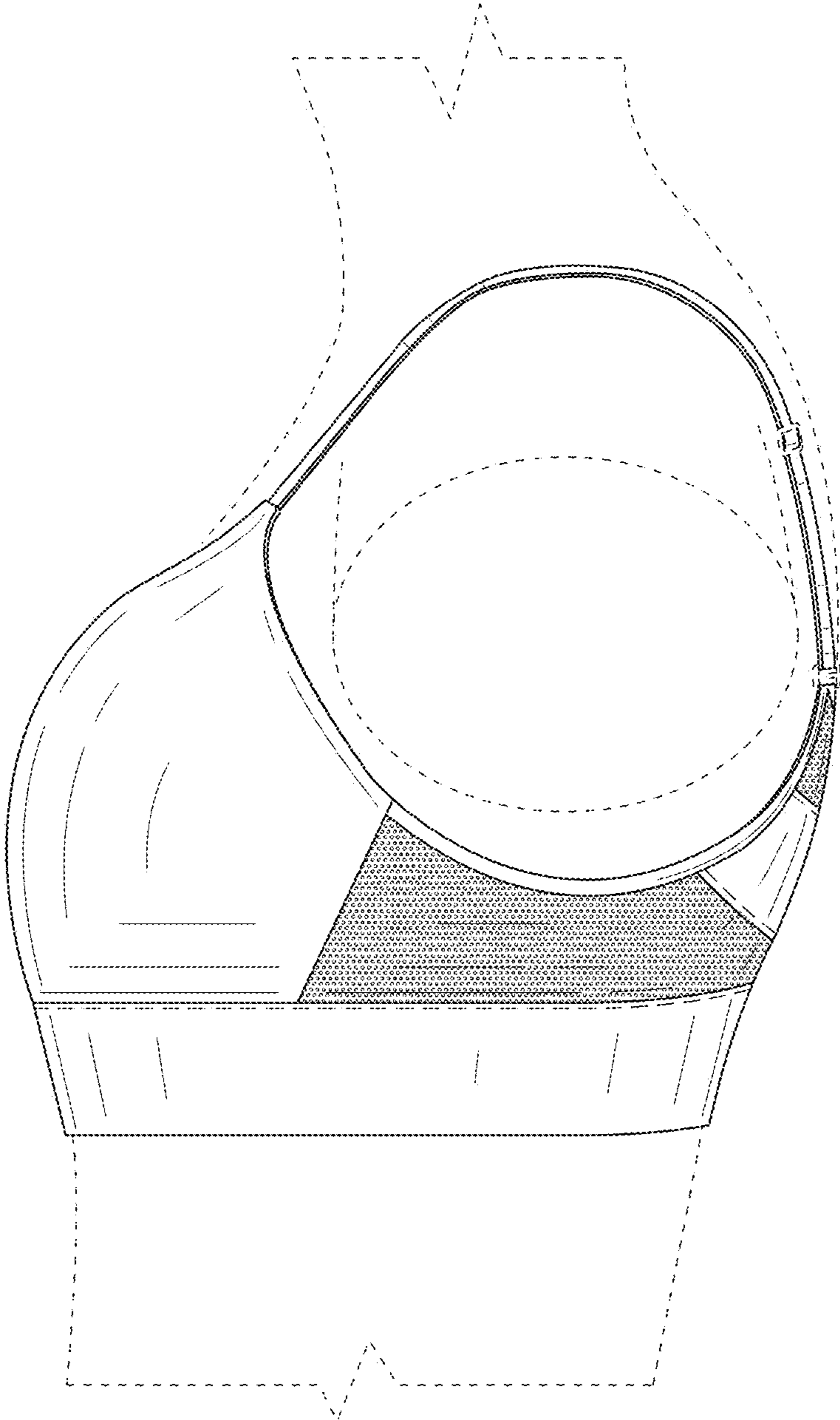


FIG. 4

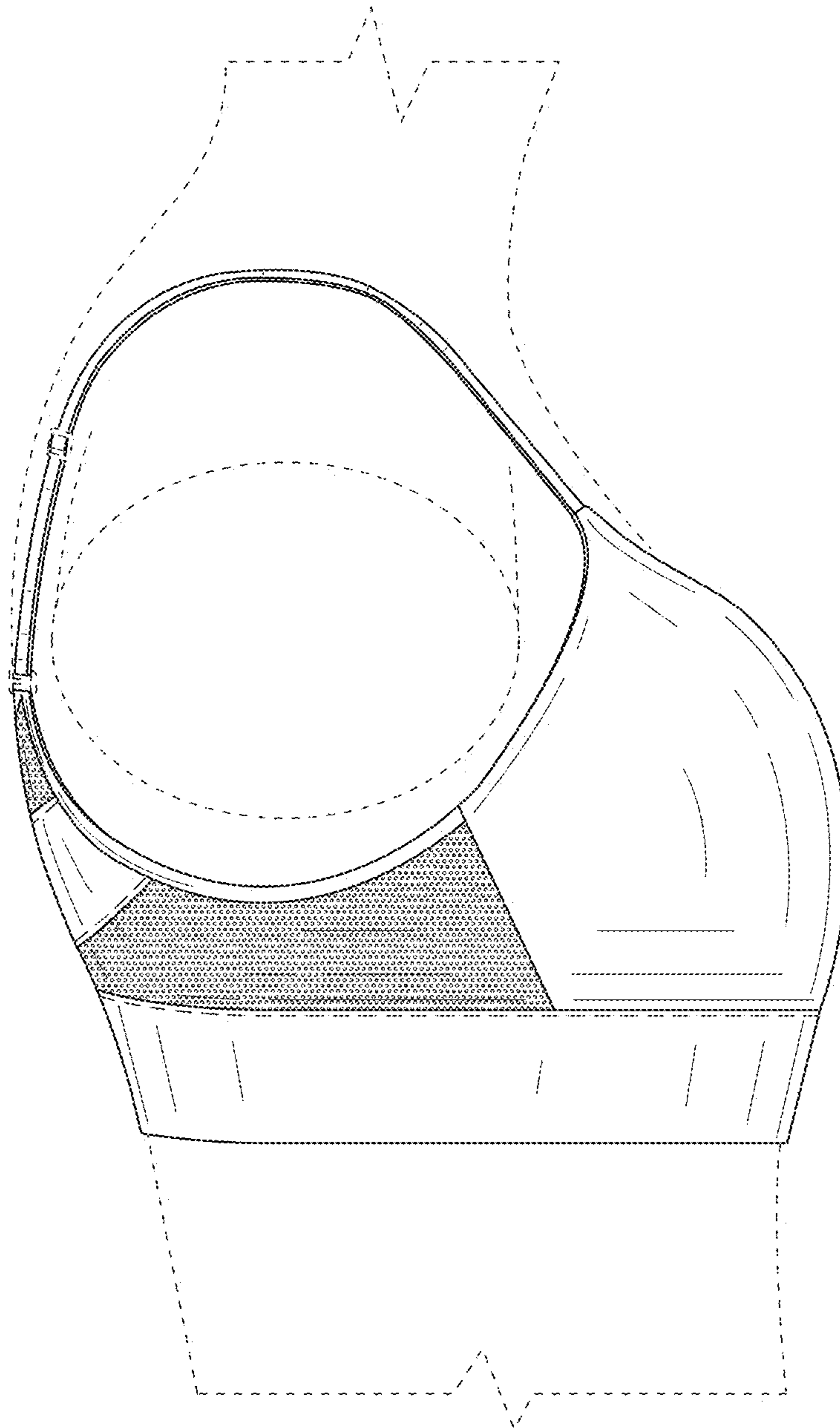


FIG. 5

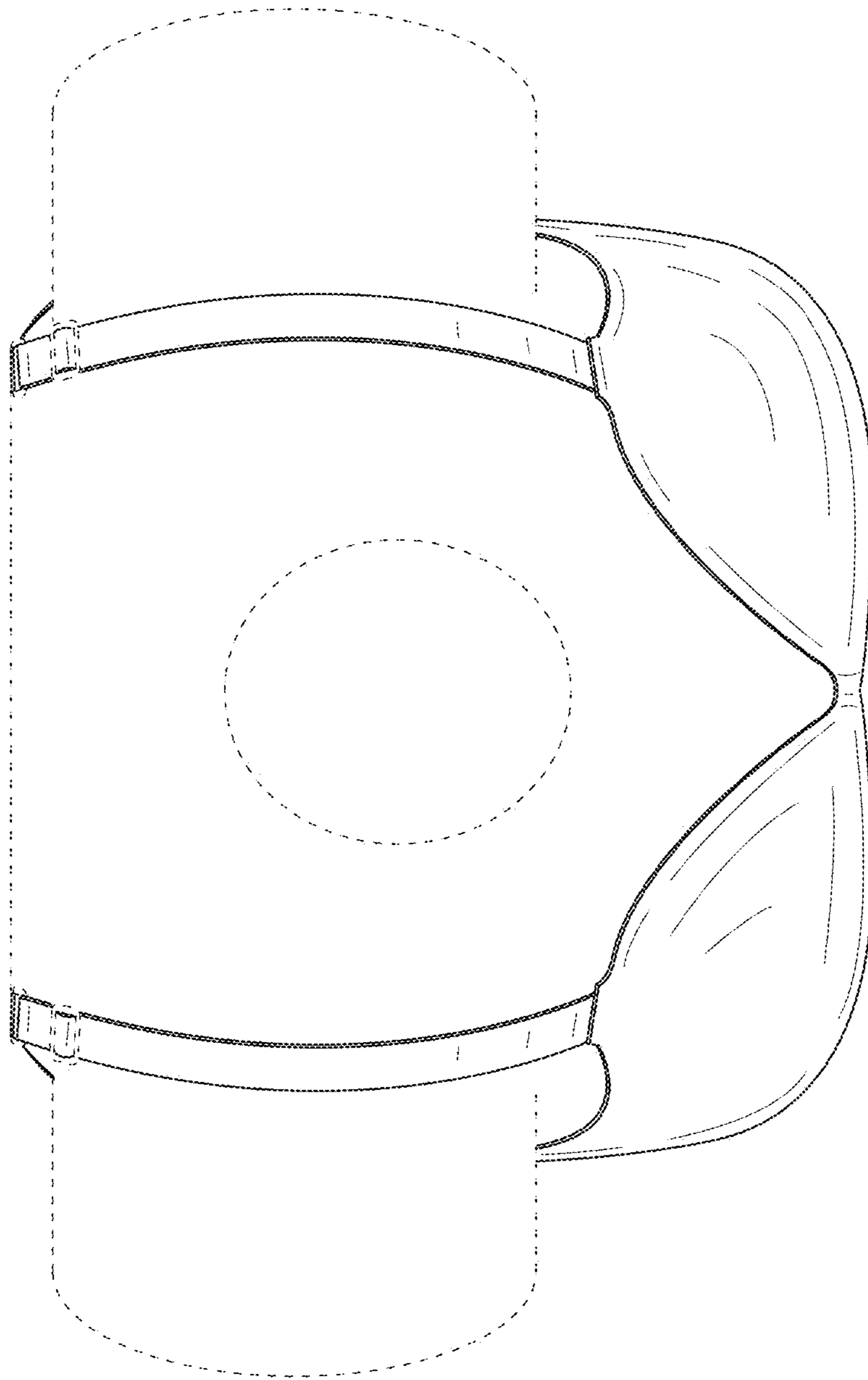


FIG. 6

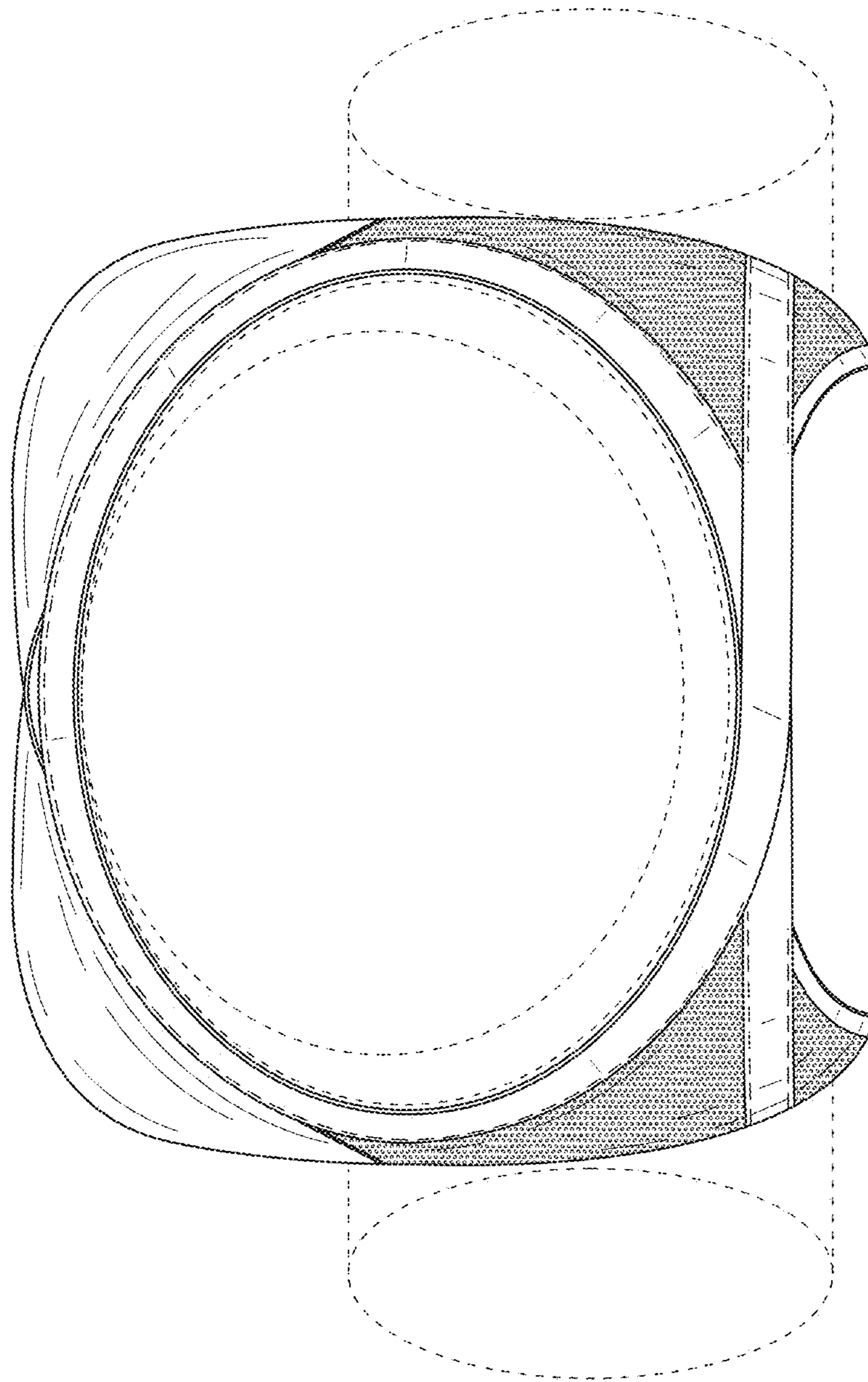


FIG. 7