



US00D886405S

(12) **United States Design Patent**
Niebuhr

(10) **Patent No.:** **US D886,405 S**
(45) **Date of Patent:** **** Jun. 2, 2020**

(54) **INDUSTRIAL TRUCK**
(71) Applicant: **JUNGHEINRICH**
AKTIENGESELLSCHAFT, Hamburg
(DE)
(72) Inventor: **Michael Niebuhr, Bargteheide (DE)**
(73) Assignee: **JUNGHEINRICH**
AKTIENGESELLSCHAFT (DE)
(**) Term: **15 Years**
(21) Appl. No.: **35/506,091**
(22) Filed: **Jul. 23, 2018**
(80) **Hague Agreement Data**
Int. Filing Date: **Jul. 23, 2018**
Int. Reg. No.: **DM/103682**
Int. Reg. Date: **Jul. 23, 2018**
Int. Reg. Pub. Date: **Nov. 23, 2018**

(30) **Foreign Application Priority Data**
Jan. 24, 2018 (EM) 004678522
(51) **LOC (12) Cl.** **12-05**
(52) **U.S. Cl.**
USPC **D34/34**
(58) **Field of Classification Search**
USPC D34/34-37; D15/10; 187/222, 234, 226,
187/238; 180/59.12, 89.12, 89.13, 89.17
CPC B62B 3/0612; B62B 5/063; B60N 2/00;
B60N 2/4693; B66F 9/07531; B60R 1/00
See application file for complete search history.

(56) **References Cited**
U.S. PATENT DOCUMENTS
D405,150 S * 2/1999 Magaline D22/126
6,137,398 A * 10/2000 Dunlap B66F 17/003
340/439

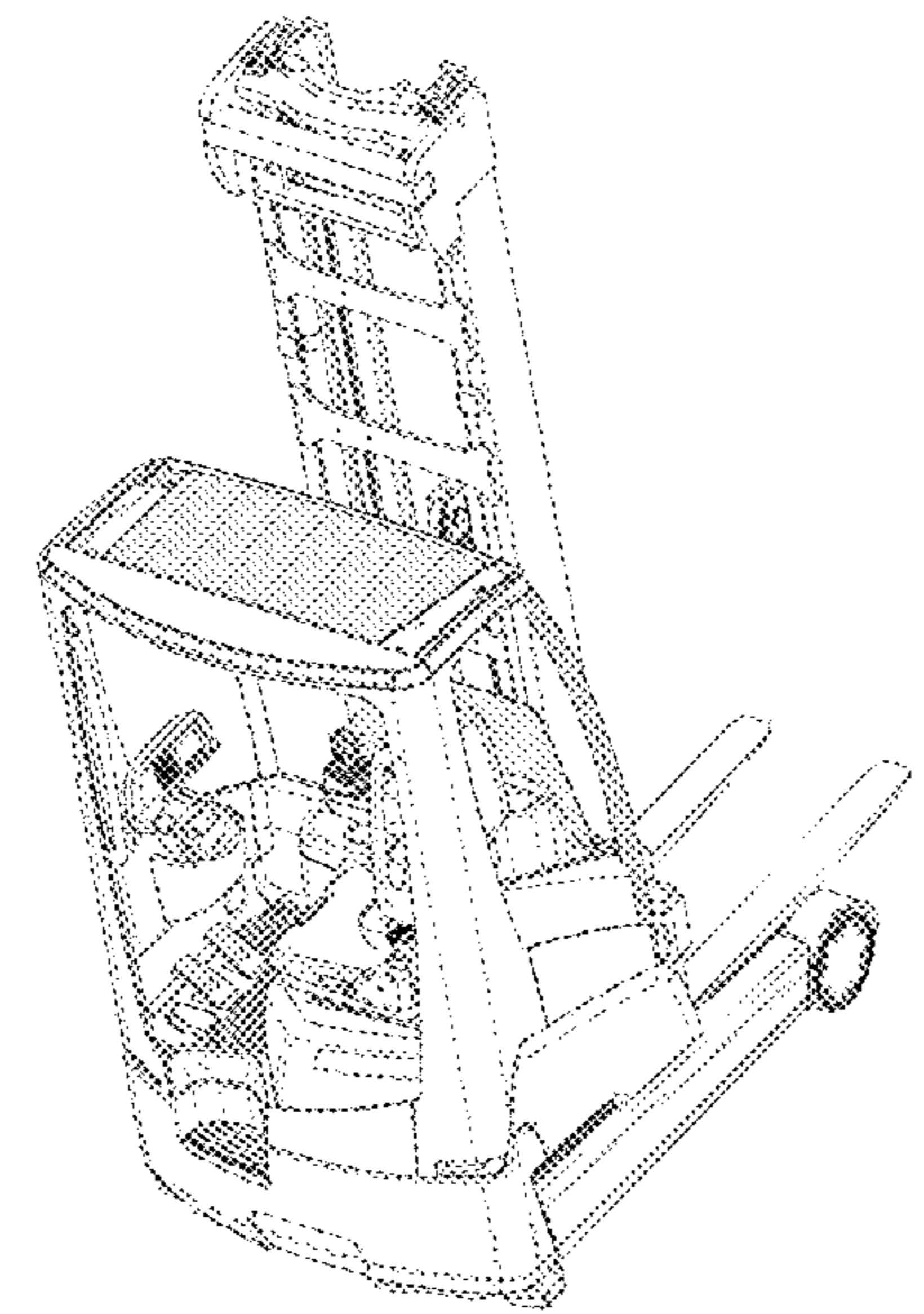
6,182,778 B1 * 2/2001 Henshaw B66F 9/07545
180/291
6,182,797 B1 * 2/2001 Tebbe B66F 9/07531
187/222
D440,855 S * 4/2001 Wang D8/107
6,236,927 B1 * 5/2001 Sherman B60L 7/006
701/70
D471,339 S * 3/2003 Mori D34/34
D529,621 S * 10/2006 Roberts D24/229
D585,623 S * 1/2009 Quinlan, Jr. D34/34
D605,374 S * 12/2009 Nishikawa D34/34
D684,333 S * 6/2013 Knie D34/34
D717,514 S * 11/2014 Miggels D34/34
D720,114 S * 12/2014 Stark D34/34
D730,614 S * 5/2015 Wu D34/34
D733,389 S * 6/2015 Wu D34/34
D733,390 S * 6/2015 Wu D34/34
D734,589 S * 7/2015 Wu D34/34
D769,567 S * 10/2016 Hooek D34/34
D822,938 S * 7/2018 Hooek D34/35
D827,244 S * 8/2018 Hooek D34/34
D859,775 S * 9/2019 Nilsson D34/34

* cited by examiner
Primary Examiner — Richard E Chilcot
(74) *Attorney, Agent, or Firm* — Barclay Damon LLP

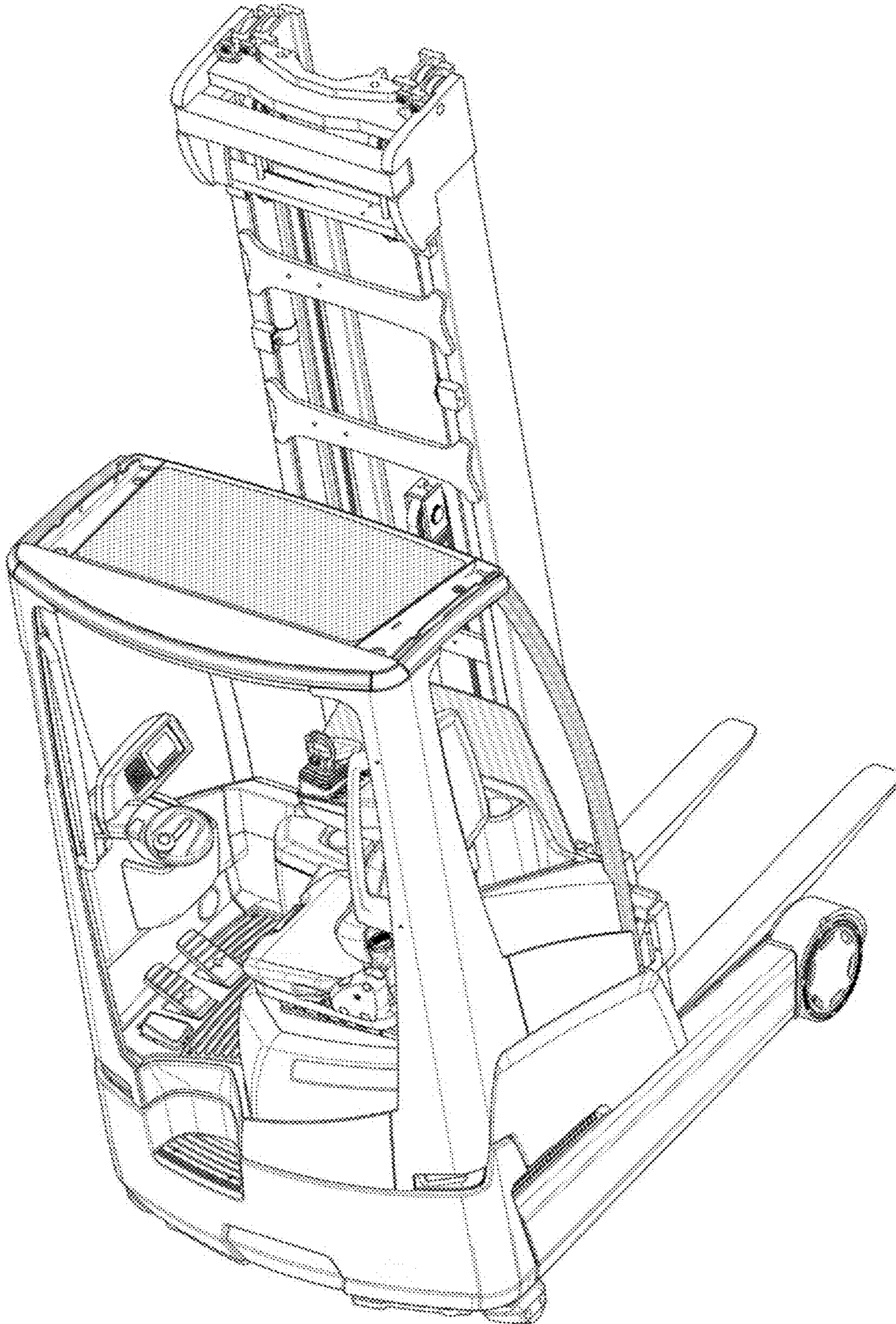
(57) **CLAIM**
The ornamental design for an industrial truck, as shown and described.

DESCRIPTION
FIG. 1.1 is a front perspective view of my industrial truck, in accordance with the present invention; FIG. 1.2 is a front facing view thereof; FIG. 1.3 is a right side view thereof; FIG. 1.4 is a left side view thereof; and FIG. 1.5 is a rear perspective view thereof.

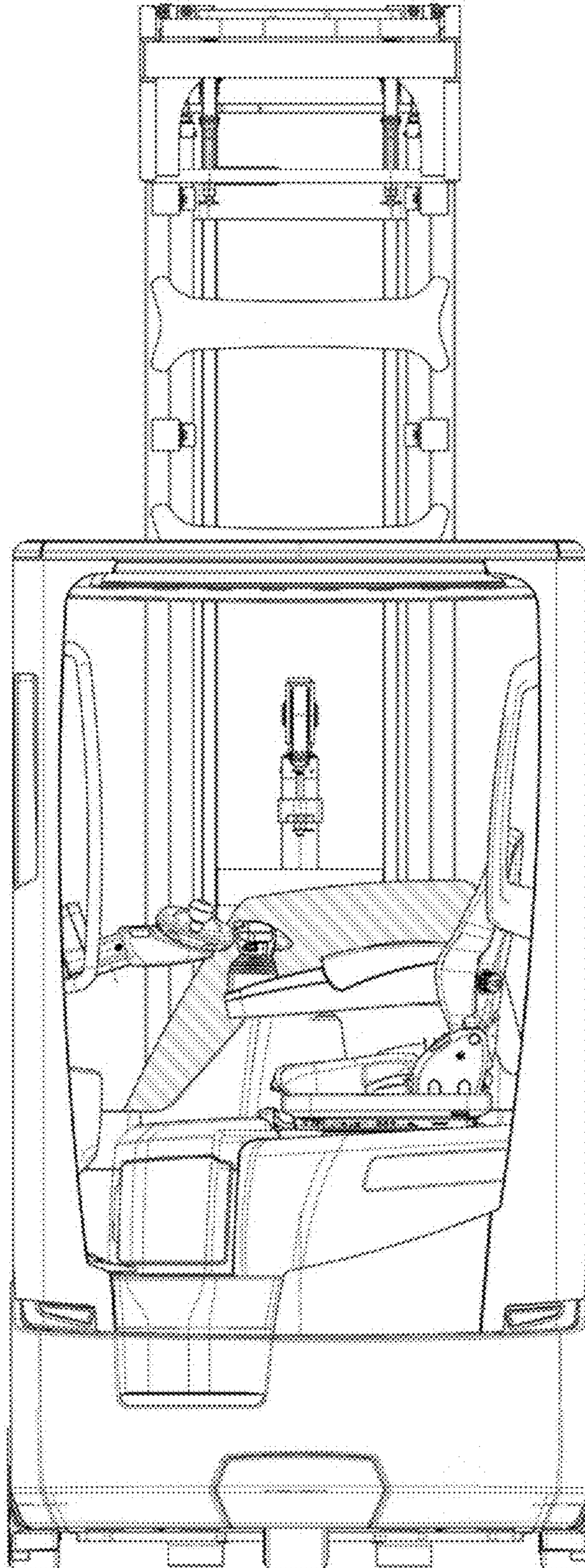
1 Claim, 5 Drawing Sheets



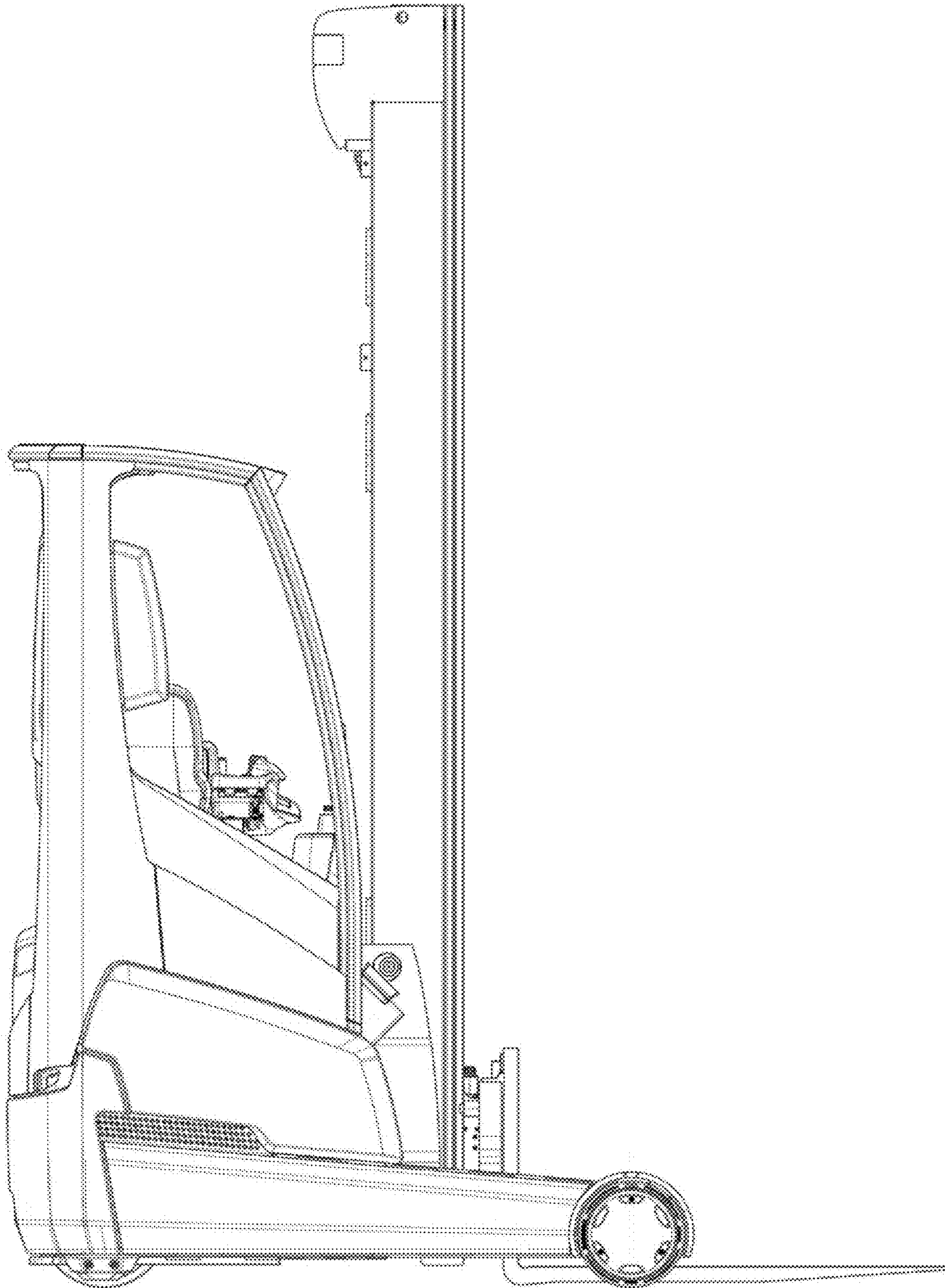
1.1



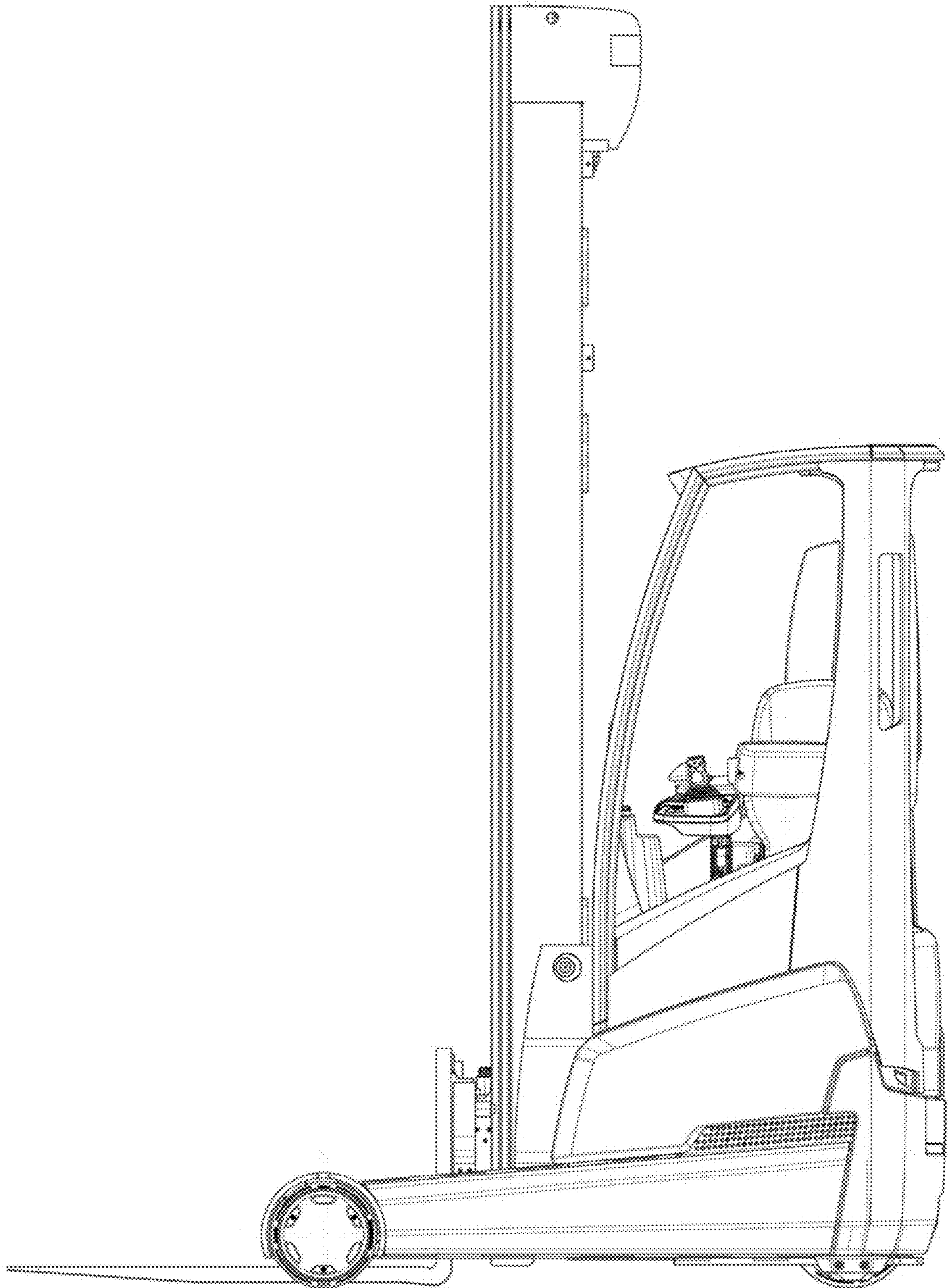
1.2



1.3



1.4



1.5

