



US00D886404S

(12) **United States Design Patent** (10) **Patent No.:** **US D886,404 S**
Stauff et al. (45) **Date of Patent:** **** *Jun. 2, 2020**

- (54) **BASKET FOR SHOPPING CART**
- (71) Applicant: **Bemis Manufacturing Company**,
Sheboygan Falls, WI (US)
- (72) Inventors: **Richard Stauff**, Plymouth, WI (US);
Gary Vande Berg, Fox Lake, WI (US);
Roy Watson, Lisbon, OH (US)
- (73) Assignee: **Bemis Manufacturing Company**,
Sheboygan Falls, WI (US)
- (*) Notice: This patent is subject to a terminal disclaimer.
- (**) Term: **15 Years**
- (21) Appl. No.: **29/616,086**
- (22) Filed: **Sep. 1, 2017**

Related U.S. Application Data

- (63) Continuation of application No. 29/546,684, filed on Nov. 24, 2015, now Pat. No. Des. 796,769, which is a continuation of application No. 29/469,618, filed on Oct. 11, 2013, now Pat. No. Des. 747,587, which is a continuation-in-part of application No. 29/452,211, filed on Apr. 12, 2013, now Pat. No. Des. 733,388, which is a continuation-in-part of application No. 13/609,070, filed on Sep. 10, 2012, now Pat. No. 9,227,646.
- (51) **LOC (12) Cl.** **12-02**
- (52) **U.S. Cl.**
USPC **D34/27**
- (58) **Field of Classification Search**
USPC D34/12-27; 280/33.992, 33.991, 33.993,
280/47.34, 79.11, 47.26
CPC B62B 3/14; B62B 3/144; B62B 3/1452;
B62B 5/06; B62B 5/04; B62B 5/0423;
B62B 5/069

See application file for complete search history.

- (56) **References Cited**
- U.S. PATENT DOCUMENTS

2,479,530 A	8/1949	Watson
2,556,532 A	6/1951	Goldman
2,590,285 A	3/1952	Wiltshire
2,615,726 A	10/1952	Brottman
3,012,161 A	12/1961	Puder
3,019,953 A	2/1962	Martin
3,026,122 A	3/1962	Young
3,039,564 A	6/1962	Shaukis

- (Continued)

FOREIGN PATENT DOCUMENTS

- | | | |
|----|---------|--------|
| AU | 4797885 | 4/1986 |
| AU | 581928 | 3/1989 |
- (Continued)

Primary Examiner — Cynthia Ramirez
(74) *Attorney, Agent, or Firm* — Michael Best & Friedrich LLP

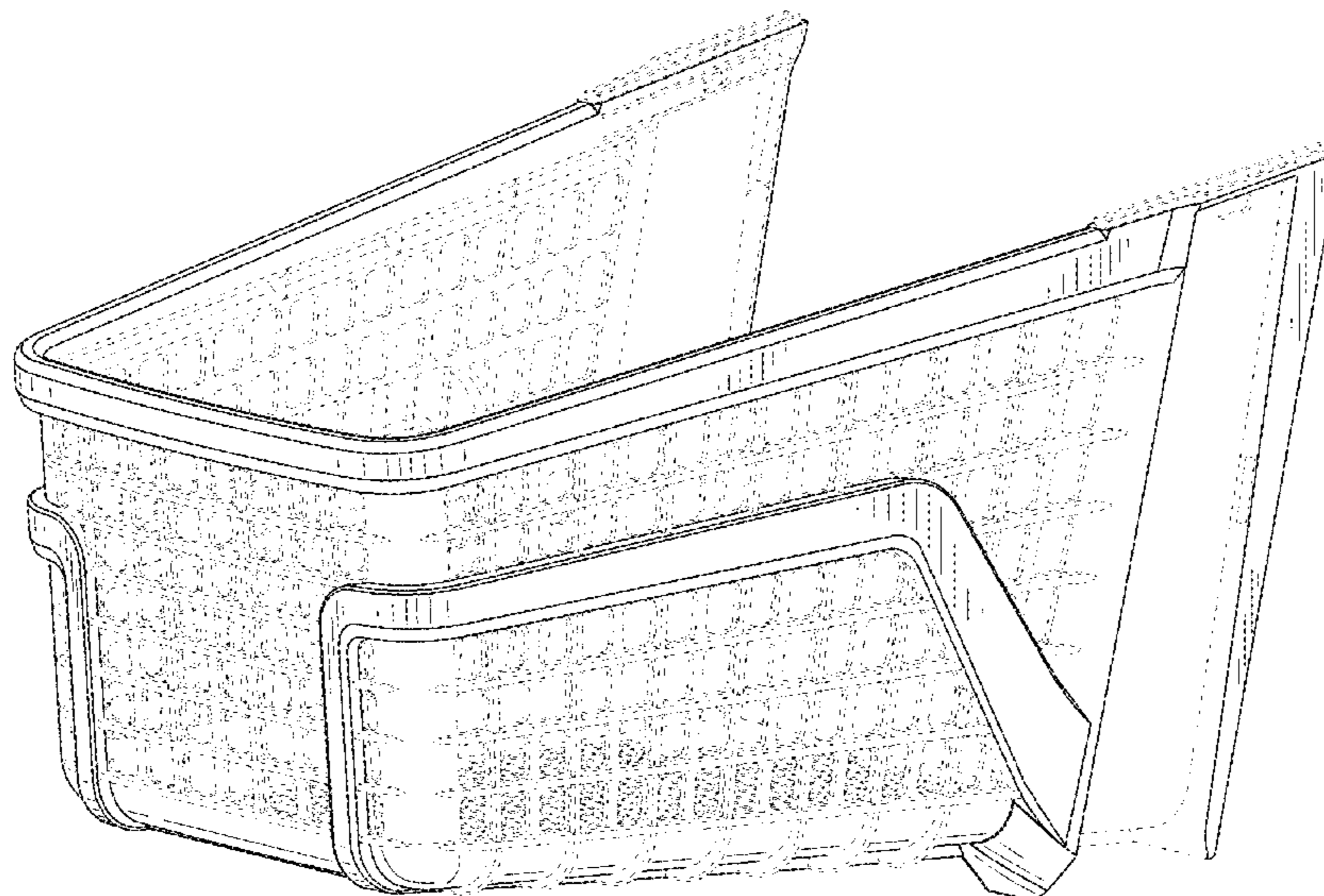
(57) **CLAIM**

We claim the ornamental design for a basket for a shopping cart, as shown and described.

DESCRIPTION

FIG. 1 is a perspective view of a basket of a shopping cart showing our new design.
 FIG. 2 is a right side view of the basket shown in FIG. 1.
 FIG. 3 is a left side view of the basket shown in FIG. 1.
 FIG. 4 is a top view of the basket shown in FIG. 1.
 FIG. 5 is a front view of the basket shown in FIG. 1.
 FIG. 6 is a back view of the basket shown in FIG. 1; and,
 FIG. 7 is a perspective view of a shopping cart including the basket shown in FIG. 1.
 The bottom views are not a part of the claimed design. Elements shown in broken lines in FIGS. 1-7 are included for the purpose of illustrating portions that form no part of the claimed design.

1 Claim, 7 Drawing Sheets



(56)

References Cited

U.S. PATENT DOCUMENTS

2007/0080519 A1 4/2007 Murdock
 2007/0126207 A1 6/2007 Rojas et al.
 2007/0210541 A1 9/2007 Johnson
 2008/0111328 A1 5/2008 Ryan
 2008/0164640 A1 7/2008 Pruitt et al.
 2008/0211200 A1 9/2008 Eberlein
 2008/0309037 A1 12/2008 Hebert
 2009/0033118 A1 2/2009 Gomez
 2009/0058024 A1 3/2009 Cagan et al.
 2009/0058025 A1 3/2009 Rolim De Oliveira
 2009/0159402 A1 6/2009 Webster
 2009/0160146 A1 6/2009 Berthiaume et al.
 2009/0174161 A1 7/2009 Alves et al.
 2009/0242355 A1 10/2009 Webster
 2010/0038886 A1 2/2010 Greger et al.
 2010/0102523 A1 4/2010 Deal et al.
 2010/0194064 A1 8/2010 Simonson et al.
 2010/0200629 A1 8/2010 Reynolds
 2010/0230934 A1 9/2010 Fine
 2010/0276899 A1 11/2010 Burdwood et al.
 2010/0276909 A1 11/2010 Liu
 2011/0062675 A1 3/2011 Brown
 2011/0127796 A1 6/2011 Fontenot-Martin
 2011/0147164 A1 6/2011 Webster
 2011/0148076 A1 6/2011 Chen
 2012/0074826 A1 3/2012 Klaus et al.
 2012/0097721 A1 4/2012 Winterhalter et al.
 2012/0161406 A1 6/2012 Mersky
 2012/0304440 A1 12/2012 Berthiaume et al.
 2013/0038036 A1 2/2013 Lester
 2013/0140778 A1 6/2013 Stauff et al.
 2013/0153616 A1 6/2013 Geva et al.

2013/0255736 A1 10/2013 Horst
 2013/0300076 A1 11/2013 Berthiaume et al.
 2013/0300090 A1 11/2013 Wang
 2014/0238992 A1 8/2014 Stauff et al.
 2014/0346756 A1 11/2014 Laffan et al.

FOREIGN PATENT DOCUMENTS

CA 2314774 A1 1/2002
 CN 201231775 5/2009
 CN 201272379 7/2009
 CN 102126510 7/2011
 CN 201999032 10/2011
 DE 3305378 9/1984
 DE 3419488 11/1985
 DE 8913395 4/1990
 DE 102004048623 4/2006
 DE 102007060983 6/2009
 DE 102009042287 3/2011
 EP 034655 4/1990
 EP 0937625 8/1999
 EP 1400428 A1 3/2004
 EP 1591341 A2 11/2005
 FR 2863997 6/2005
 GB 962378 7/1964
 GB 1007453 A 10/1965
 GB 2316368 2/1998
 JP 3266770 A 11/1991
 JP 2012218502 A 11/2012
 KR 20010110253 12/2001
 KR 20120037780 4/2012
 WO WO 99/58438 11/1999
 WO WO 2001081064 11/2001
 WO WO 2013112644 8/2013

* cited by examiner

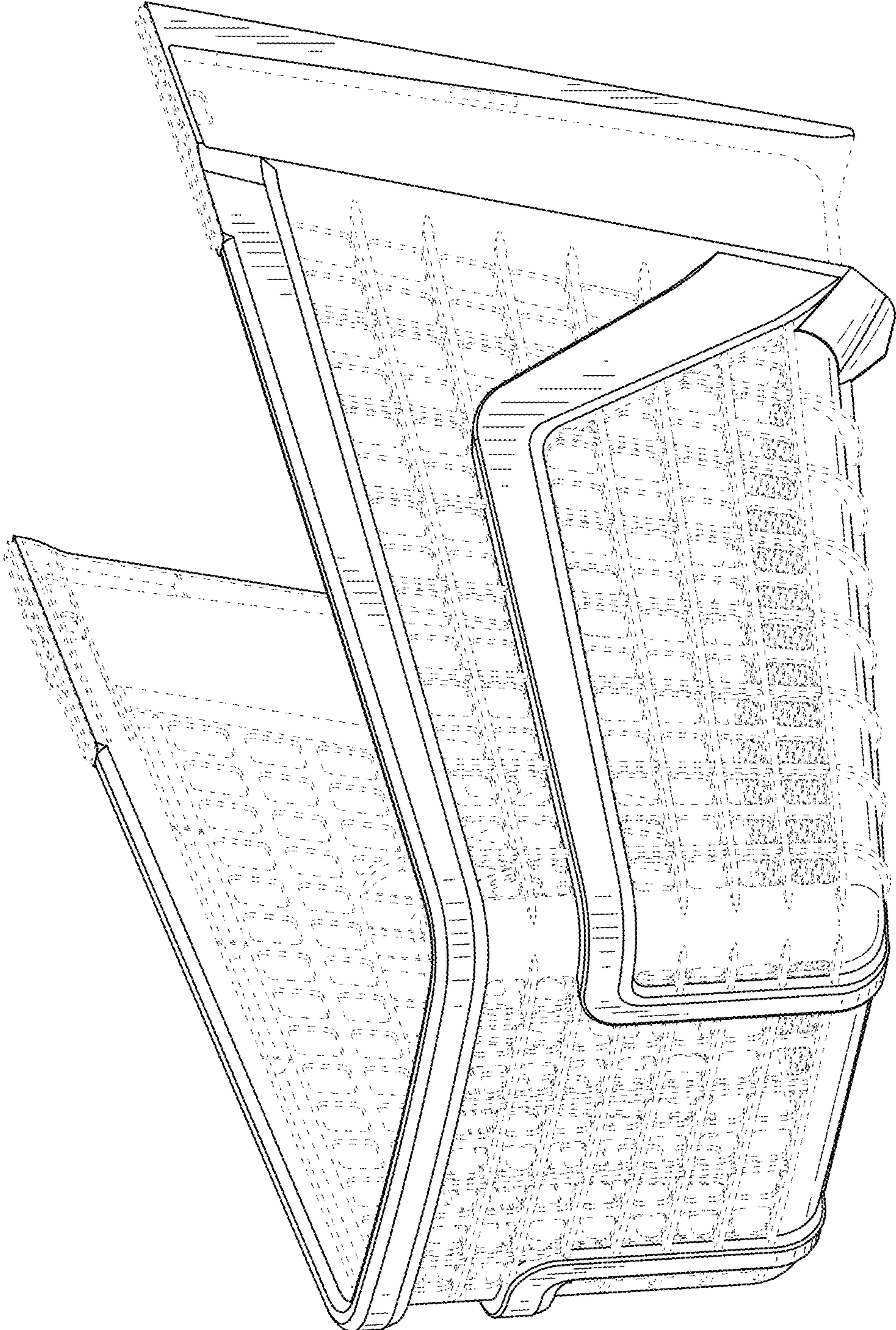


FIG. 1

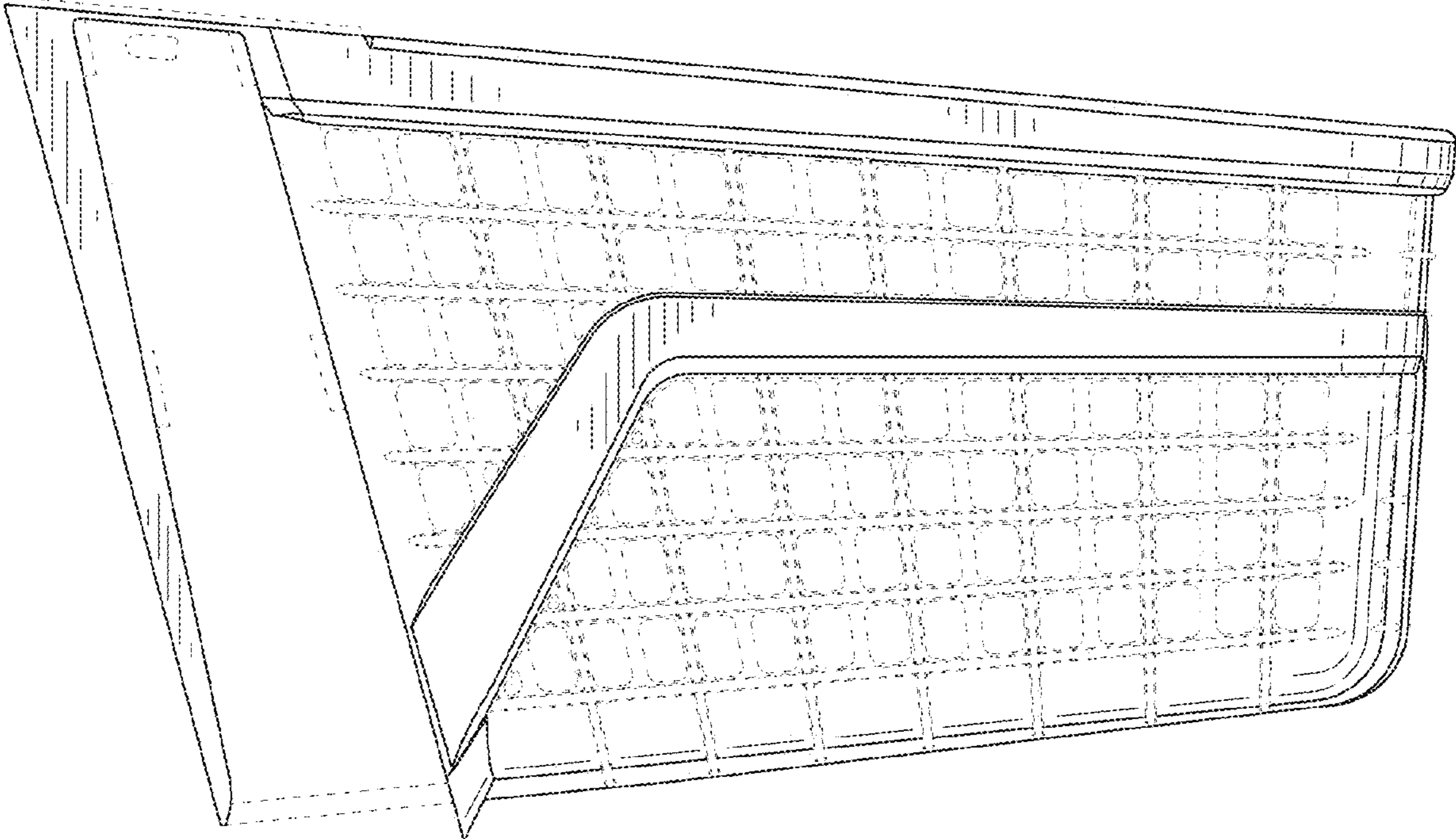


FIG. 2

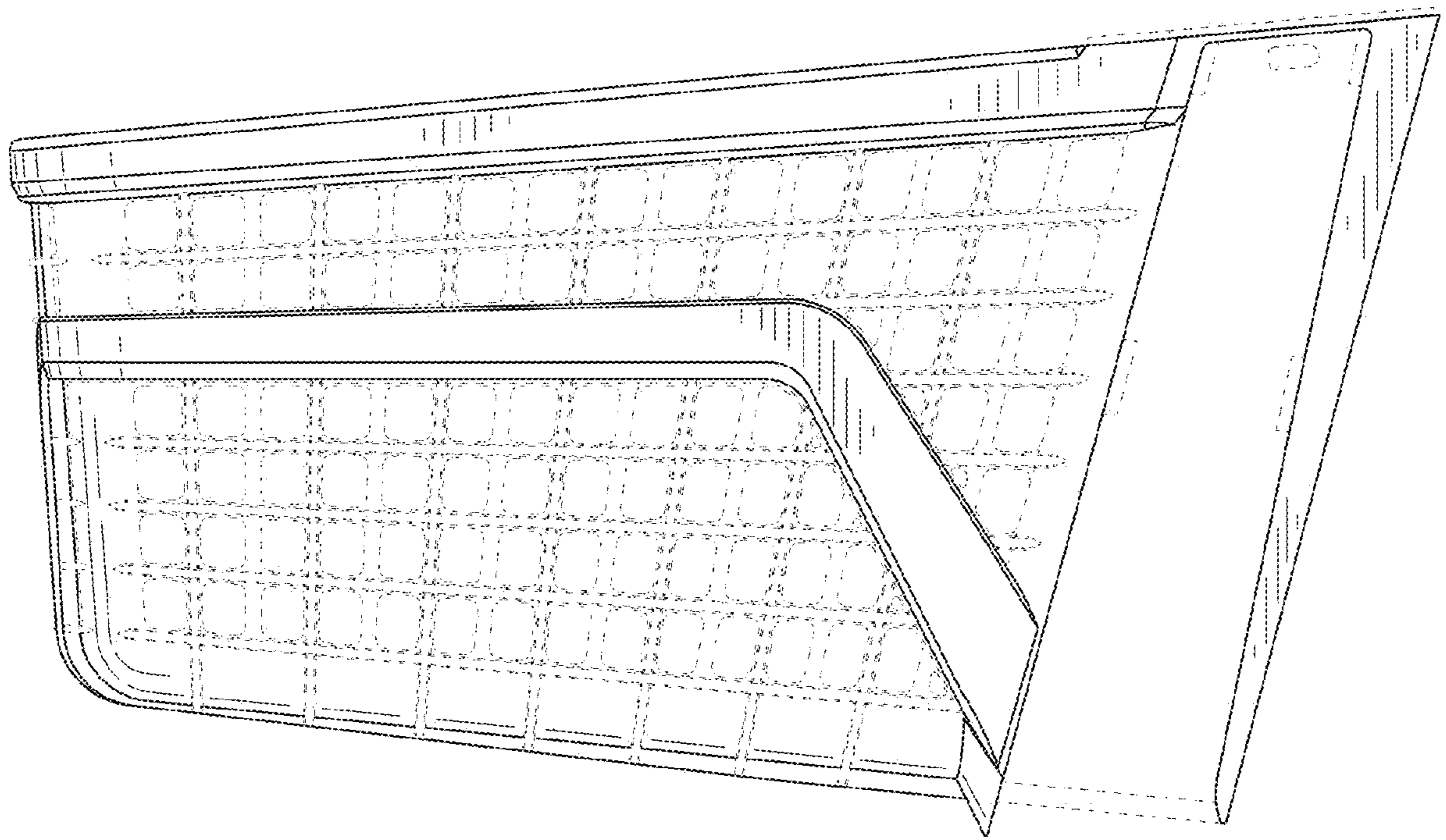


FIG. 3

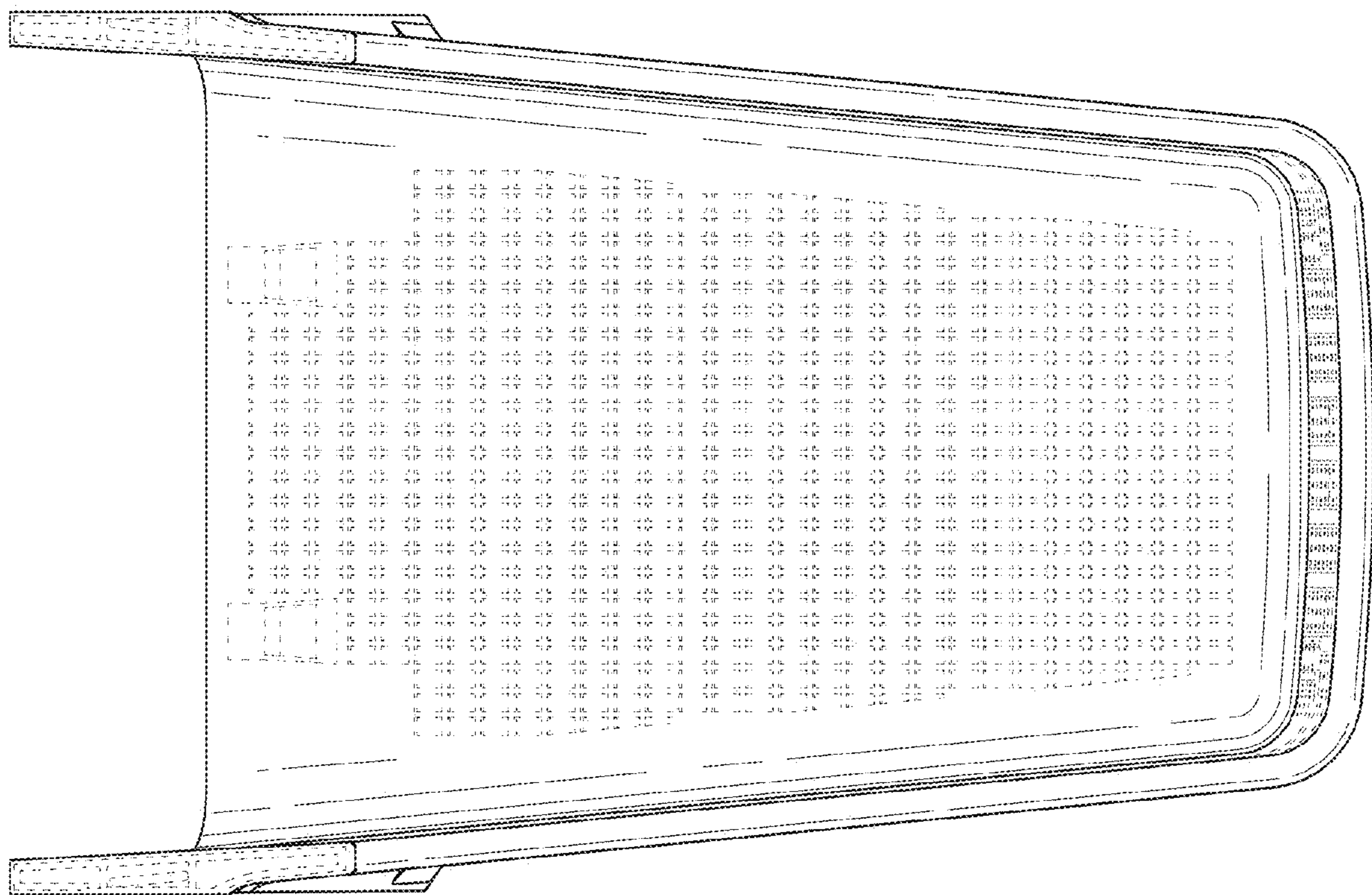


FIG. 4

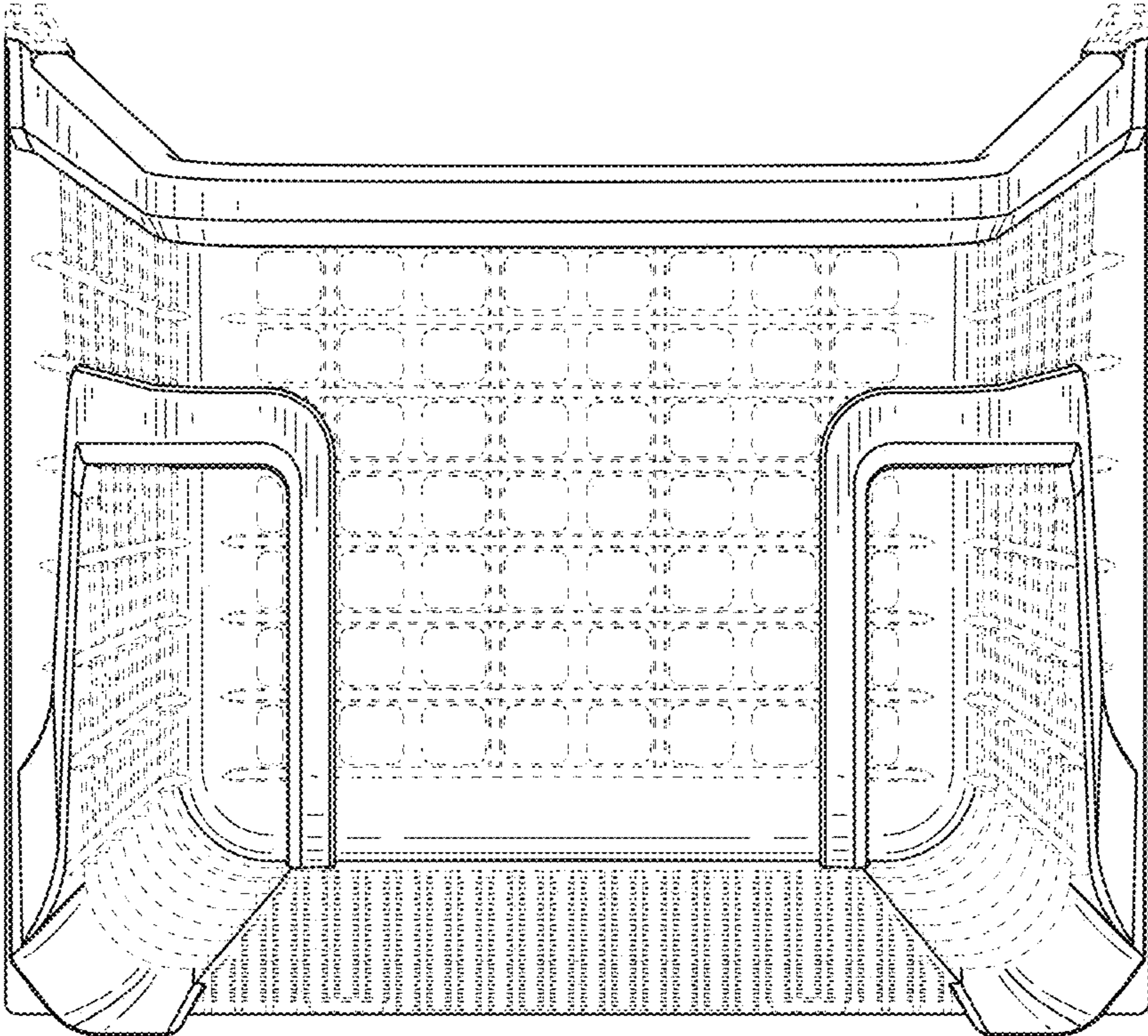


FIG. 5

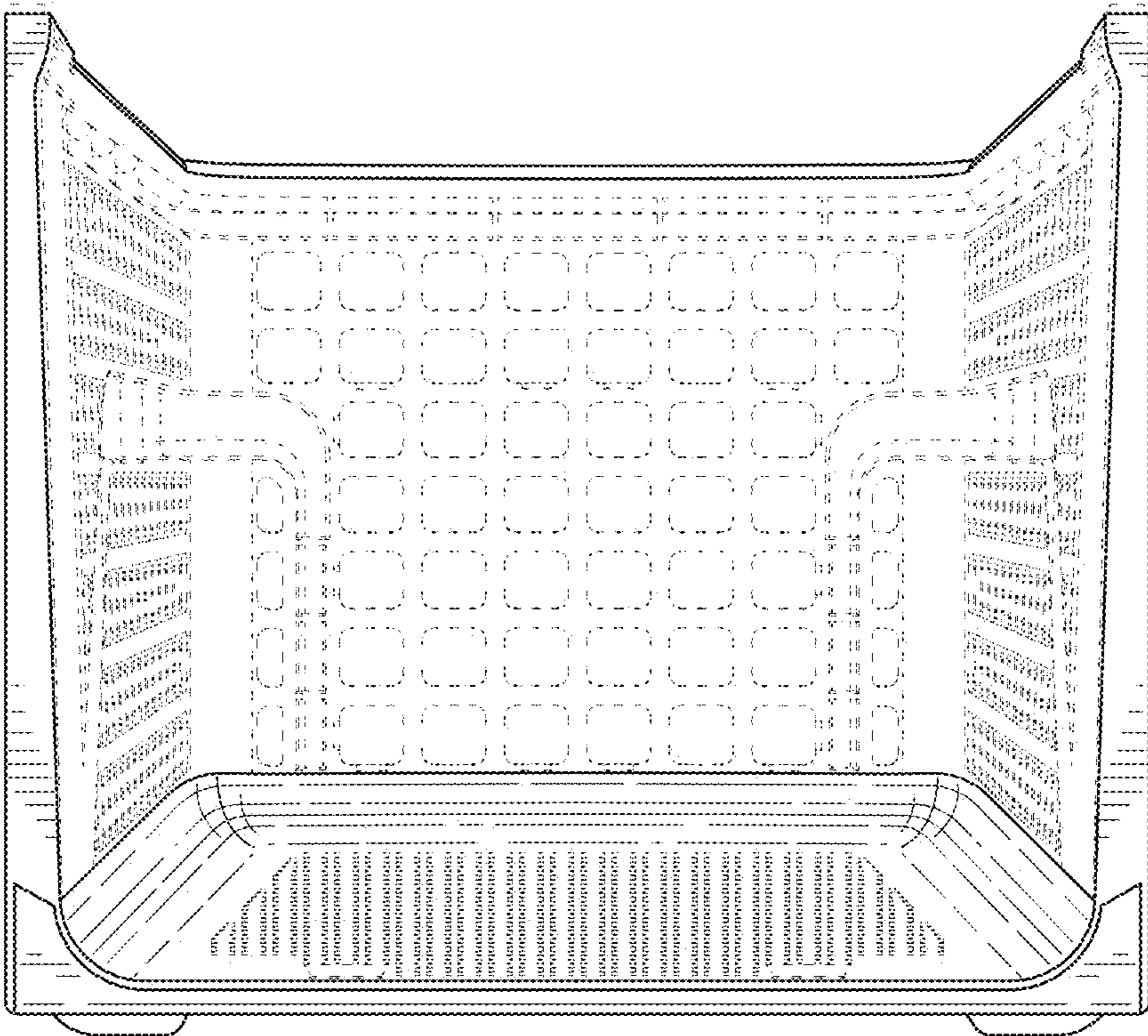


FIG. 6

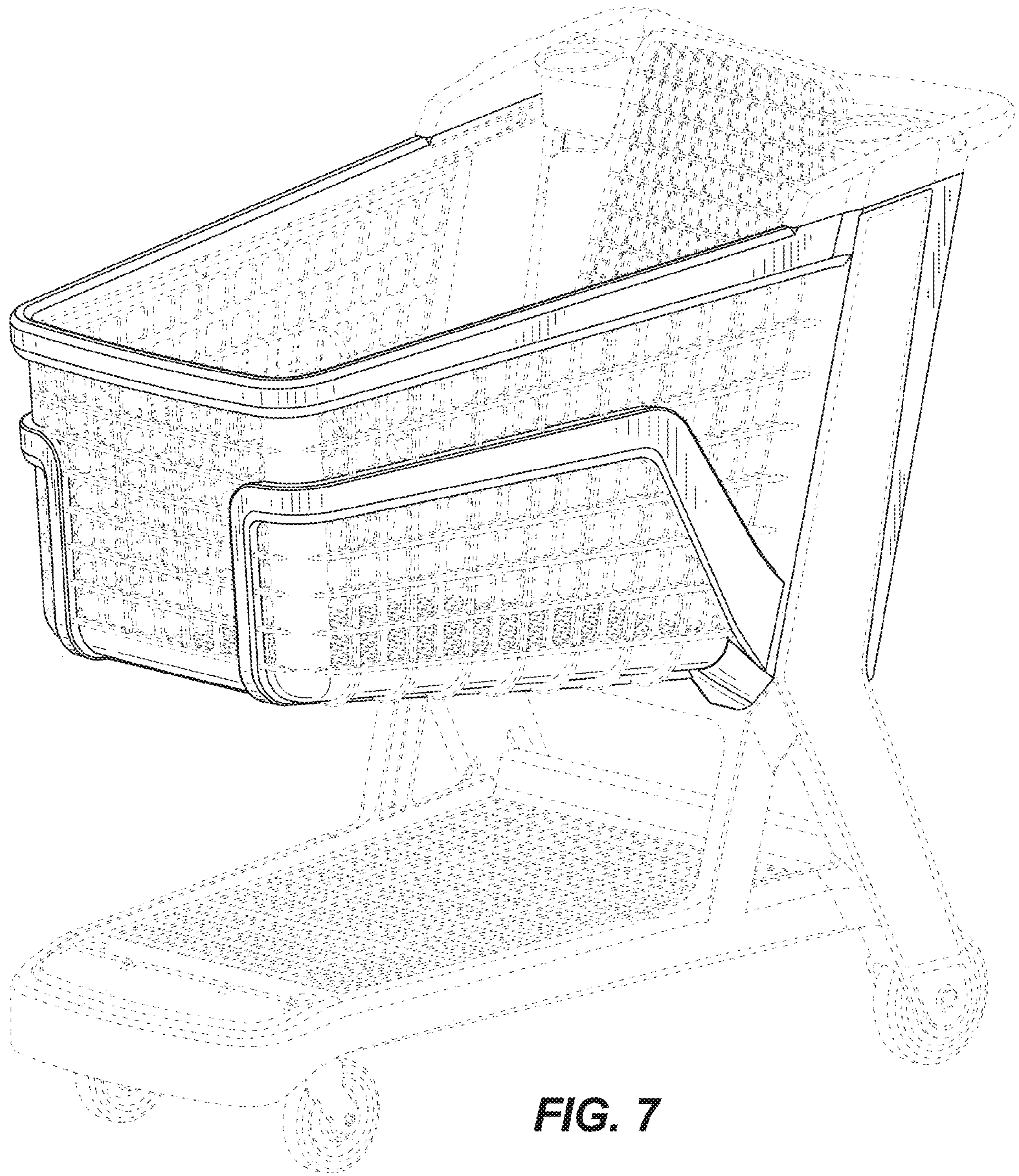


FIG. 7