



US00D886402S

(12) **United States Design Patent**
Chen

(10) **Patent No.:** **US D886,402 S**

(45) **Date of Patent:** **** Jun. 2, 2020**

- (54) **RECTANGULAR PEDAL BIN**
- (71) Applicant: **EKO DEVELOPMENT LTD.,**
Guangzhou (CN)
- (72) Inventor: **Yizhi Chen,** Guangzhou (CN)
- (73) Assignee: **EKO DEVELOPMENT LTD.,**
Guangzhou (CN)
- (**) Term: **15 Years**
- (21) Appl. No.: **29/666,011**
- (22) Filed: **Oct. 9, 2018**
- (51) **LOC (12) Cl.** **09-09**
- (52) **U.S. Cl.**
USPC **D34/9**
- (58) **Field of Classification Search**
USPC D34/1, 11, 19, 27, 5, 6, 8, 9;
220/495.06, 908, 262-264, 908.1
CPC B65F 1/163; B65F 1/08; B65F 1/1421;
B65F 1/068; B65F 1/1473; B65F 1/06;
B65F 1/1607; B65D 43/26; B65D 43/262
See application file for complete search history.

- D657,108 S 4/2012 Yang et al.
- D657,109 S 4/2012 Liao
- D675,802 S 2/2013 Yang et al.
- 8,820,566 B2 9/2014 Ude
- D719,313 S 12/2014 Kao
- D720,513 S 12/2014 Yang et al.
- D725,861 S 3/2015 Yang et al.
- D730,008 S 5/2015 Yang et al.
- D754,413 S 4/2016 Wall
- D759,934 S 6/2016 Yang et al.

(Continued)

OTHER PUBLICATIONS

Belson Outdoors “Durable Two-Piece Fiberglass Trash Receptacle”,
<http://www.belson.com/Open-Top-Lift-Off-20-Gallon-Round-Fiberglass-Trash-Can>. Jun. 6, 2017. shown in p. 1, Model FG1829 TPL.

(Continued)

Primary Examiner — Gino Colan
(74) *Attorney, Agent, or Firm* — William Dippert;
Laurence Greenberg; Werner Stemer

(57) **CLAIM**

The ornamental design for a rectangular pedal bin, as shown and described.

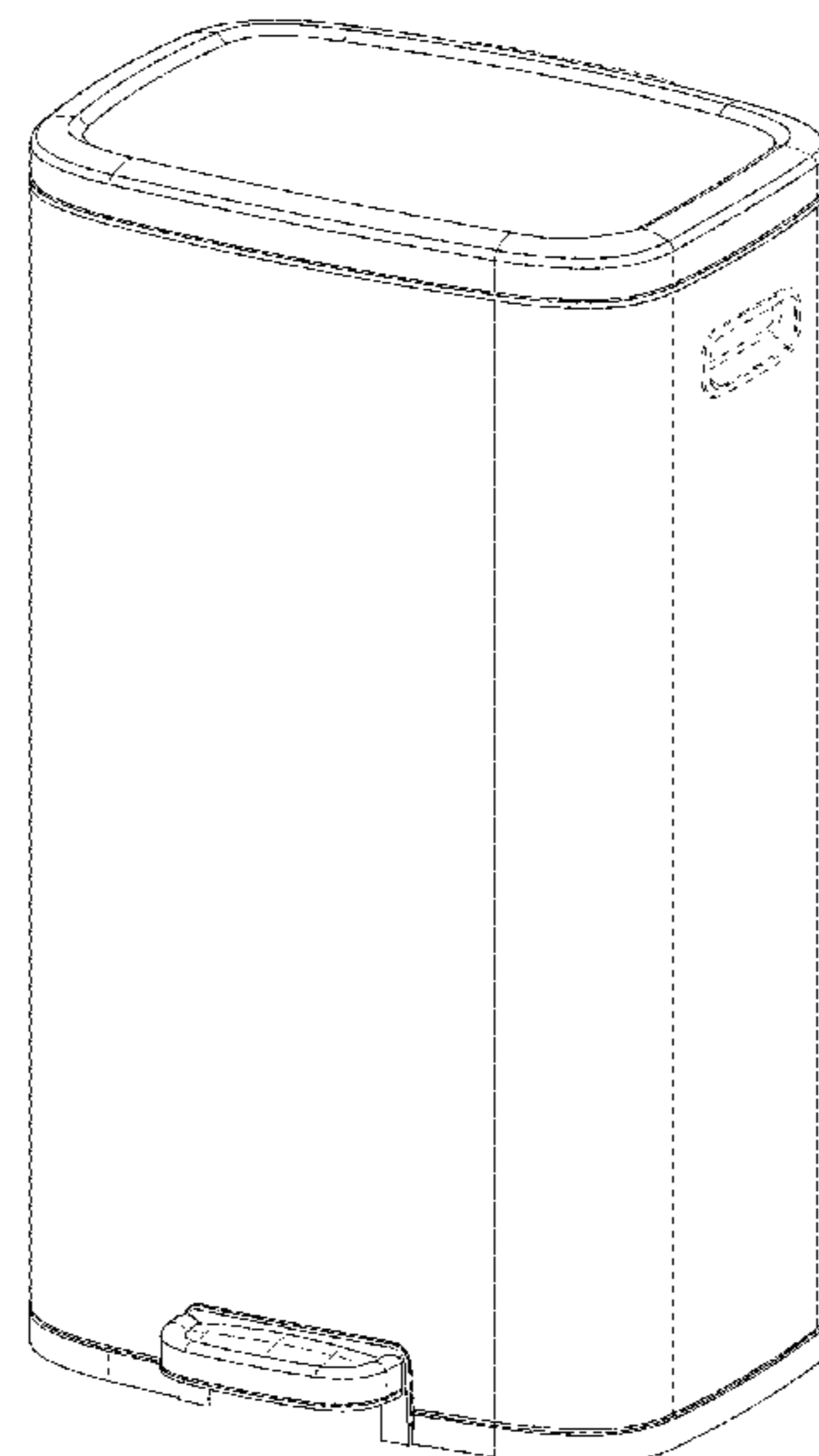
DESCRIPTION

FIG. 1 is a perspective view of a rectangular pedal bin, showing my new design.
FIG. 2 is a top plan view thereof.
FIG. 3 is a rear elevation view thereof.
FIG. 4 is a left-side elevation view thereof.
FIG. 5 is a front elevation view thereof.
FIG. 6 is a bottom plan view thereof; and,
FIG. 7 is a right-side elevation view thereof.
The broken lines shown in the figures are for the purpose of illustrating portions of the rectangular pedal bin which form no part of the claimed design.

1 Claim, 7 Drawing Sheets

(56) **References Cited**
U.S. PATENT DOCUMENTS

- D246,090 S 10/1977 Gault
- D335,562 S 5/1993 Evans
- 5,242,074 A 9/1993 Conaway et al.
- D343,709 S 1/1994 Doty et al.
- 6,345,725 B1 2/2002 Lin
- D472,357 S 3/2003 Stewart
- D482,169 S 11/2003 Lin
- D527,155 S 8/2006 Frankhauser
- D535,800 S * 1/2007 Yang D34/9
- D552,321 S 10/2007 Yang et al.
- D571,520 S 6/2008 Lin
- D627,533 S 11/2010 Yang et al.
- D631,221 S * 1/2011 Yang D34/9
- D644,390 S 8/2011 Smeets et al.
- D644,806 S 9/2011 Yang et al.



(56)

References Cited

U.S. PATENT DOCUMENTS

D769,564 S * 10/2016 Chen D34/9
D771,344 S 11/2016 Yang et al.
D773,145 S 11/2016 Yang et al.
D773,769 S * 12/2016 Chen D34/9
D793,642 S 8/2017 Yang et al.
D798,016 S 9/2017 Yang et al.
D841,275 S * 2/2019 Chen D34/9
D842,573 S * 3/2019 Smeets D34/9
D851,350 S * 6/2019 Lu D34/9
2013/0105486 A1 * 5/2013 Mashburn B65F 1/06
220/495.06

OTHER PUBLICATIONS

Amazon "Simplehuman Bullet Open Trash Can", https://www.amazon.com/simplehuman-Bullet-Trash-Commercial-Stainless/dp/B000BHUHP0/ref=cm_cr_arp_d_product_top?ie=UTF8. Apr. 17, 2008. shown in p. 1, Model No. CW1407.

* cited by examiner

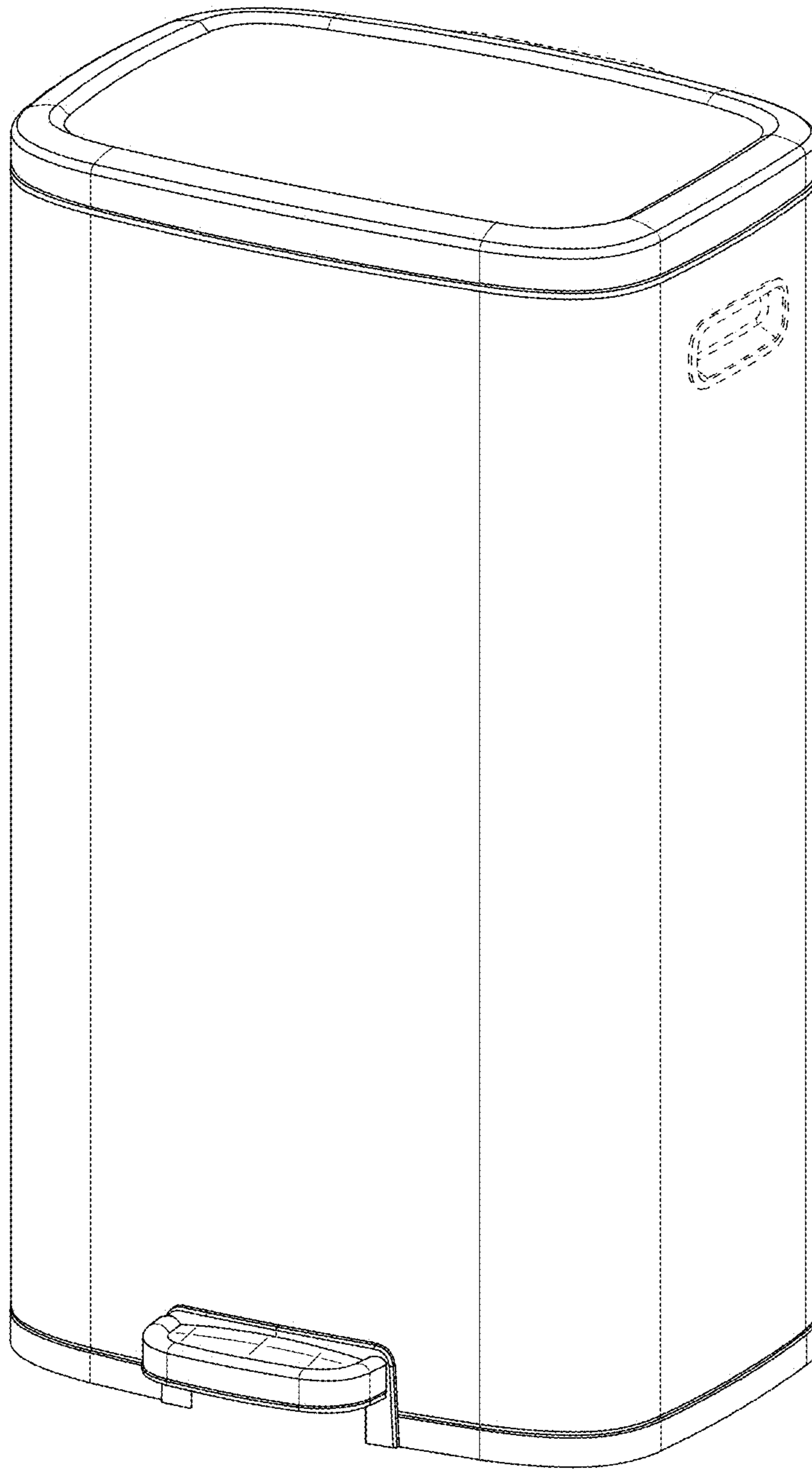


FIG. 1

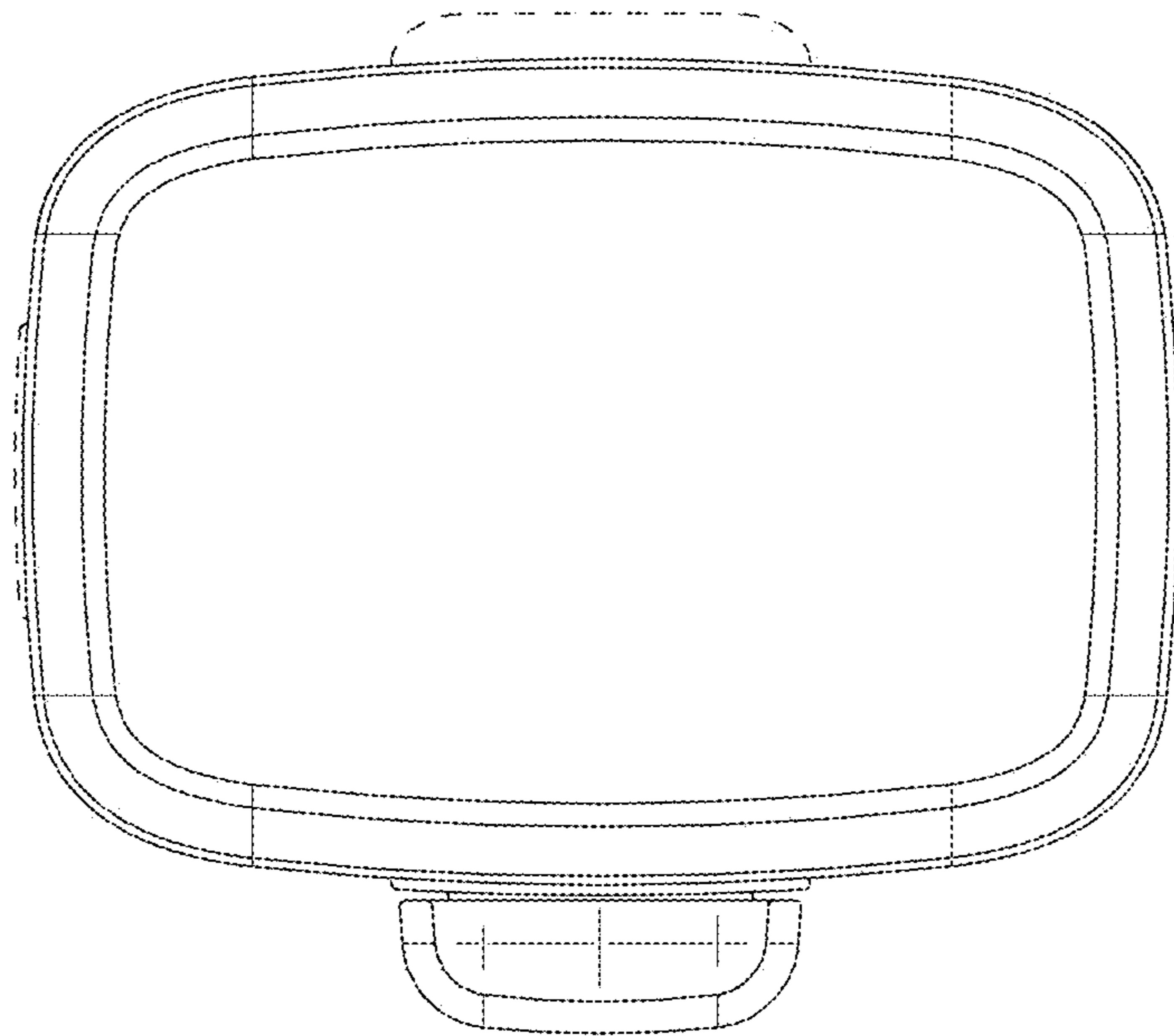


FIG. 2

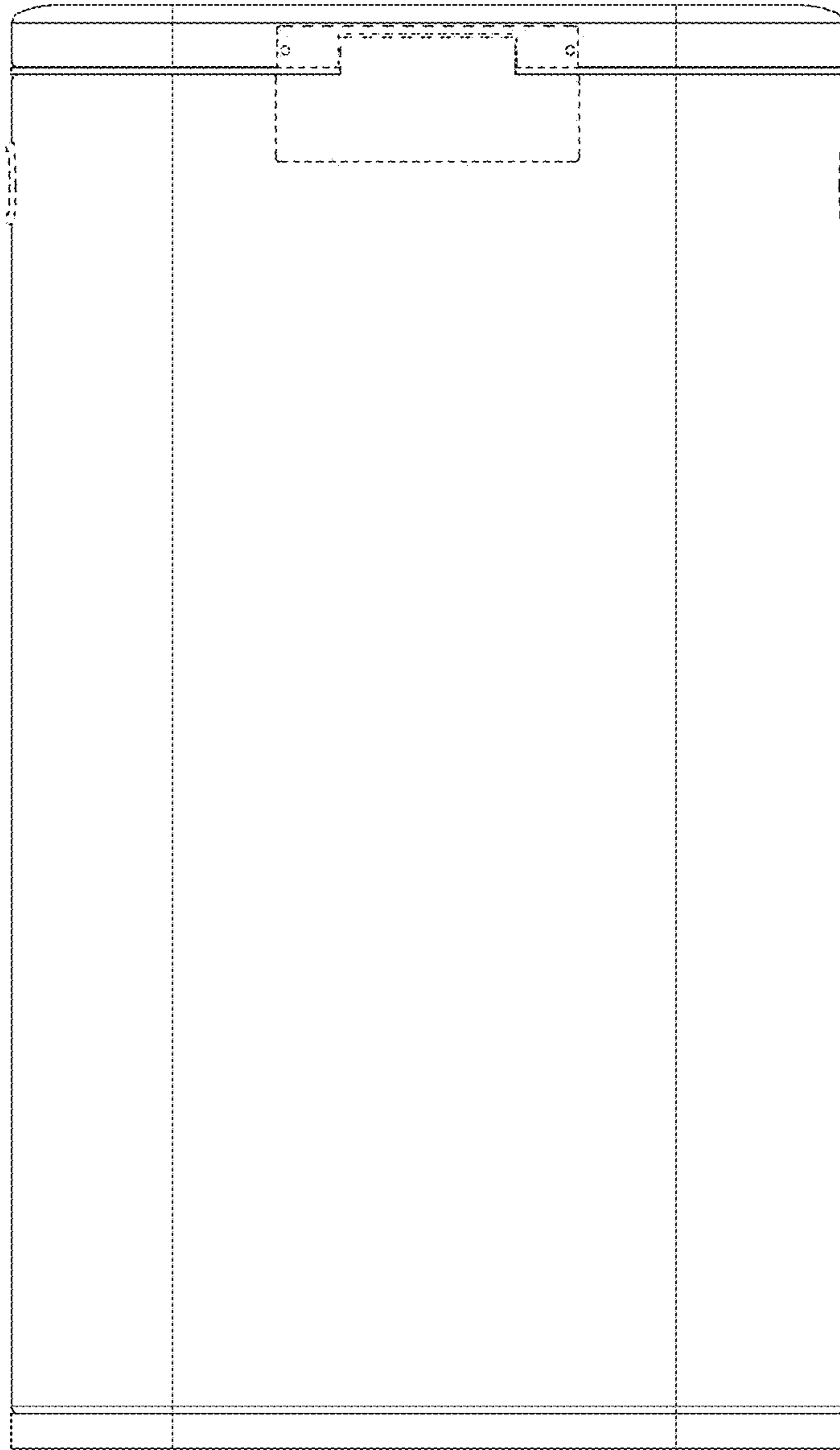


FIG. 3

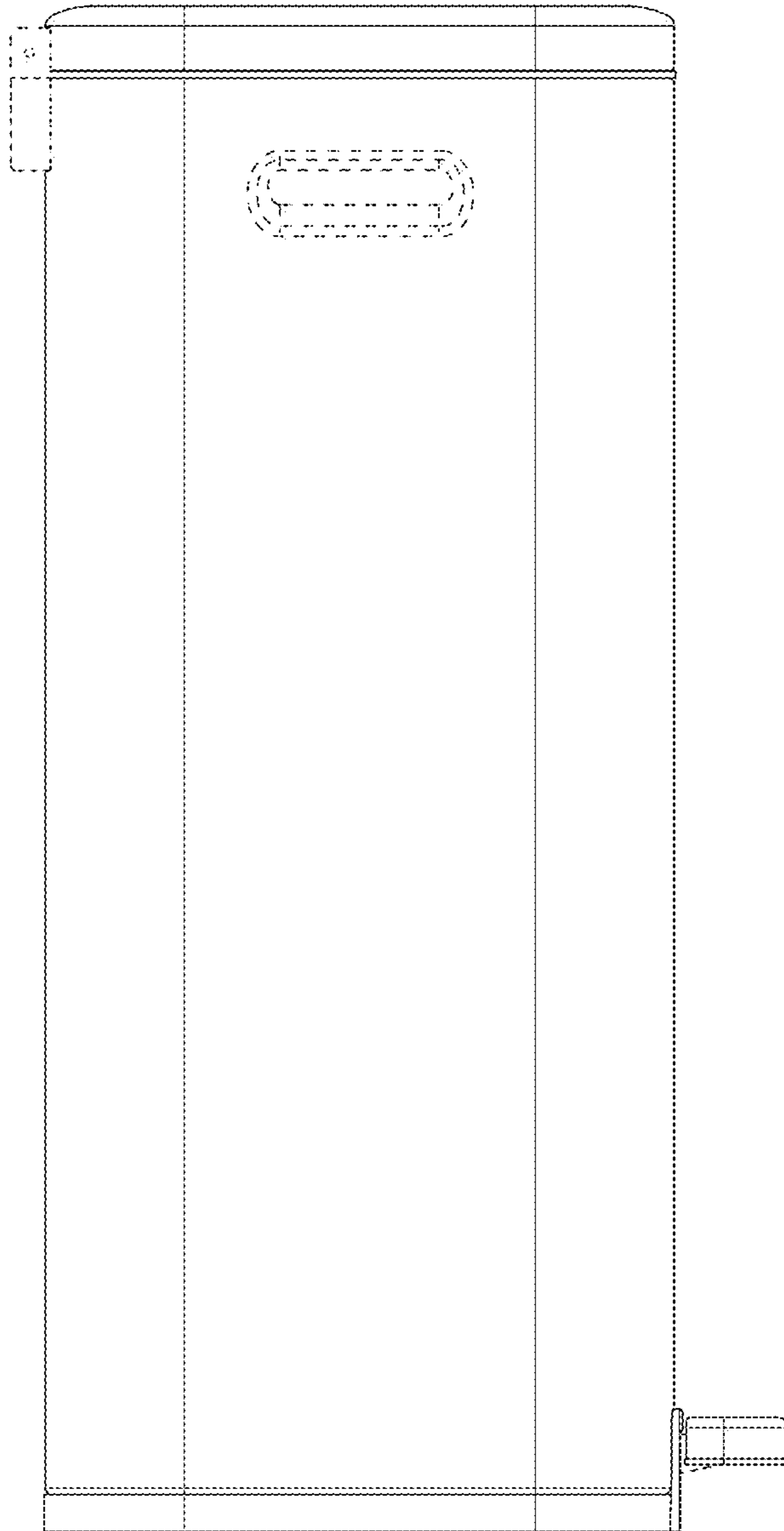


FIG. 4

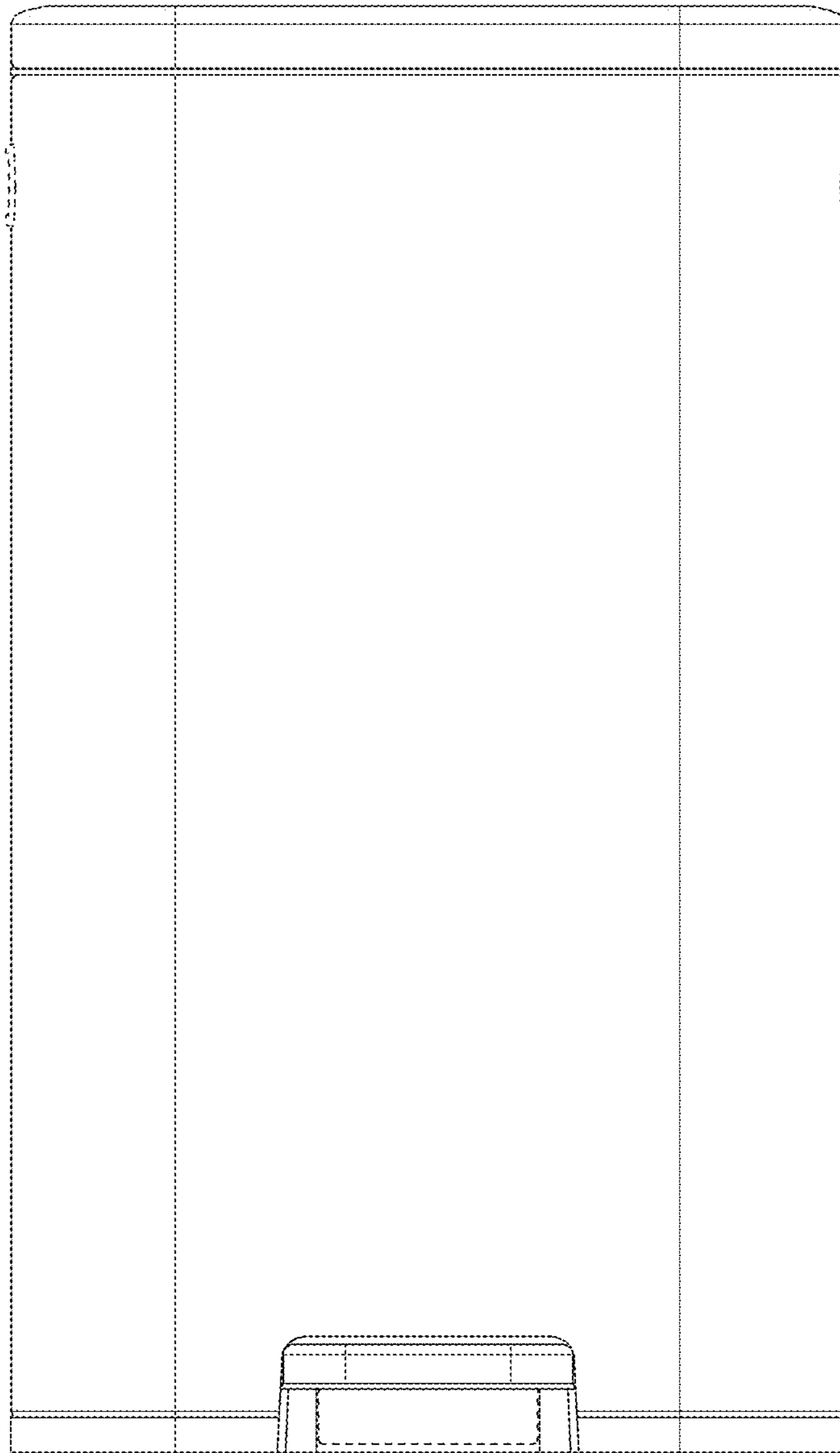


FIG. 5

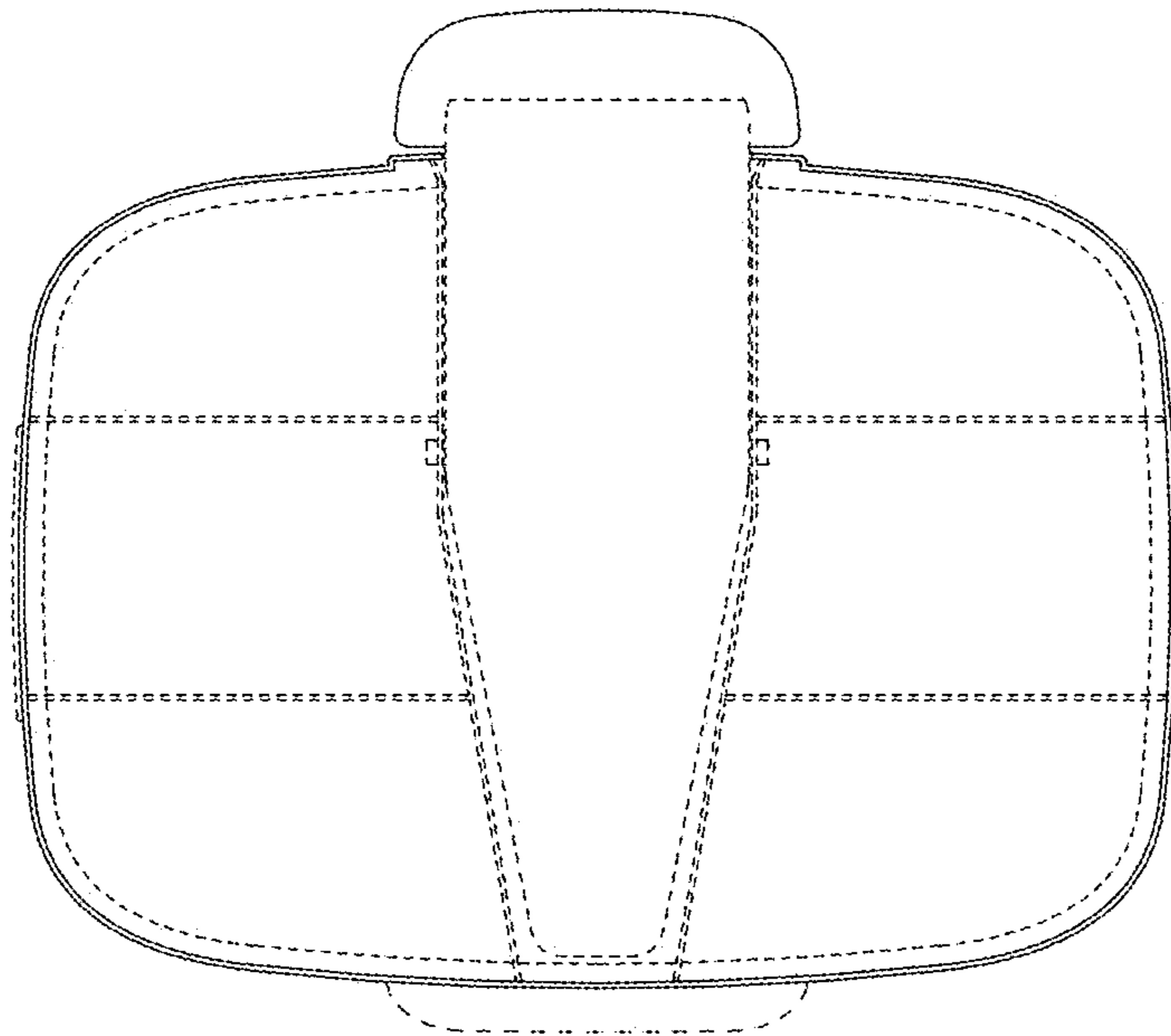


FIG. 6

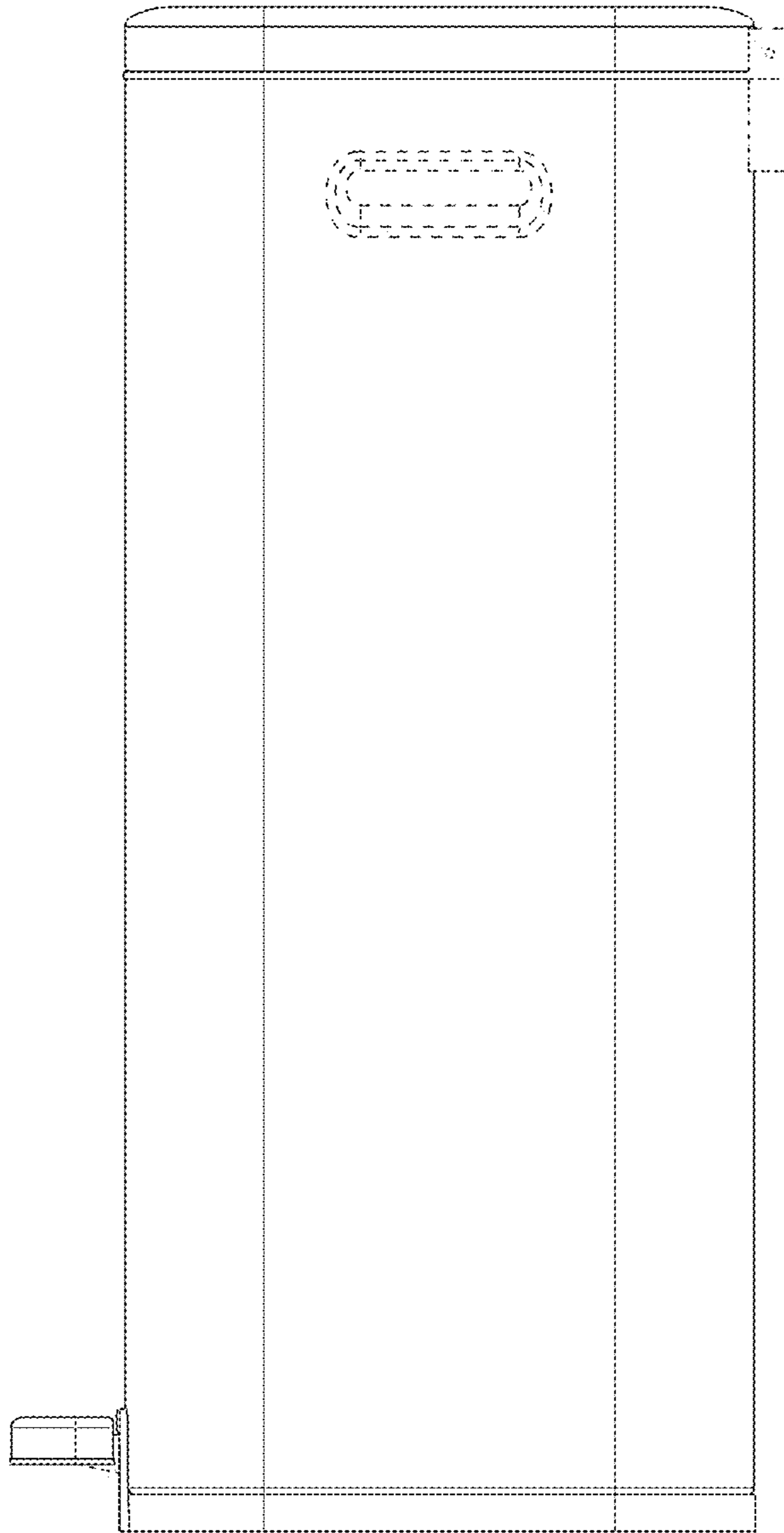


FIG. 7