



US00D886401S

(12) **United States Design Patent** (10) **Patent No.:** **US D886,401 S**
Musso (45) **Date of Patent:** **** Jun. 2, 2020**

(54) **TRASH RECEPTACLE**
(71) Applicant: **Victor A. Musso**, Roslyn Estates, NY (US)
(72) Inventor: **Victor A. Musso**, Roslyn Estates, NY (US)
(**) Term: **15 Years**
(21) Appl. No.: **29/649,488**
(22) Filed: **May 30, 2018**
(51) **LOC (12) Cl.** **09-09**
(52) **U.S. Cl.**
USPC **D34/7; D34/6**
(58) **Field of Classification Search**
USPC D23/202, 203, 207; D34/1, 2, 3, 4, 5, 6, D34/7, 8, 9, 10, 11, 39; 220/252, 62.13, 220/484, 569, 4.04, 703, 737, 748, 908, 220/908.1, 908.2, 909, 495.08, 211, 262, 220/263, 212; D9/737, 738, 770, 772, D9/777, 778
CPC B65F 1/16; Y10S 220/908
See application file for complete search history.

D468,506 S * 1/2003 Mitchell B65F 1/1415 D34/6
D633,678 S * 3/2011 Kuhne D34/6
D833,700 S * 11/2018 Starkey B65F 1/1473 D34/5

* cited by examiner

Primary Examiner — Cynthia Ramirez
Assistant Examiner — Michael A Maharajh
(74) *Attorney, Agent, or Firm* — Bodner & O'Rourke, LLP; Gerald T. Bodner; Christian P. Bodner

(57) **CLAIM**

The ornamental design for a trash receptacle, substantially as shown and described.

DESCRIPTION

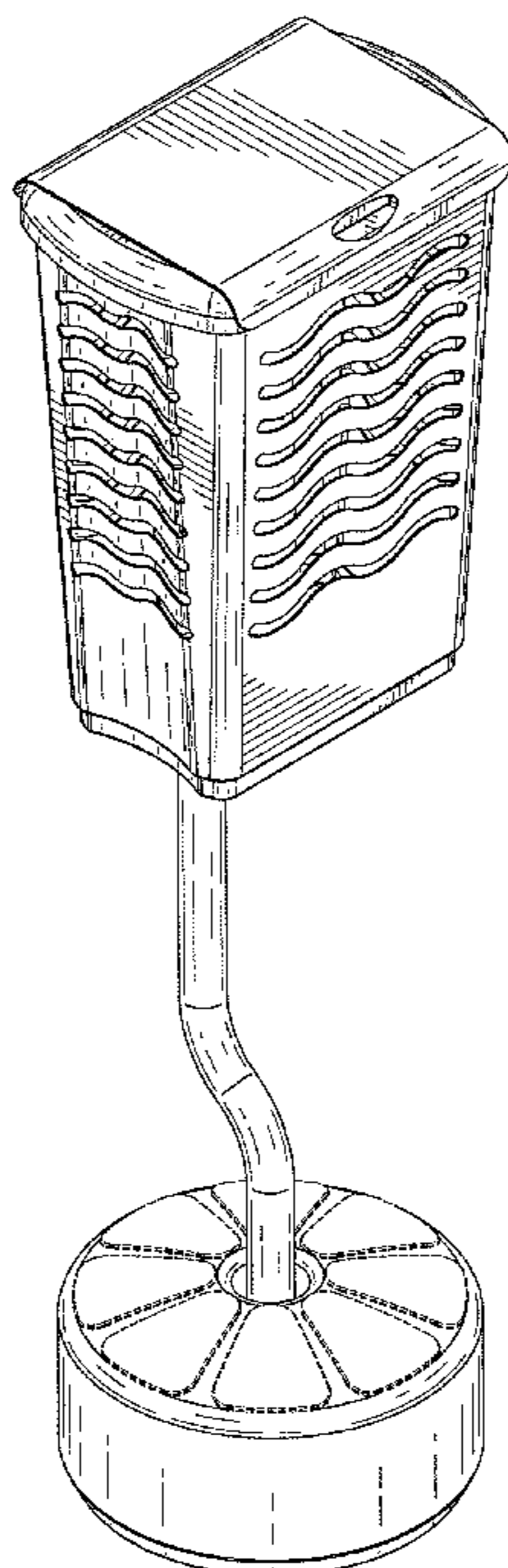
FIG. 1 is a top perspective view of a trash receptacle showing my new design;
FIG. 2 is a bottom perspective view thereof;
FIG. 3 is a top perspective view thereof, showing the trash receptacle in an alternate position;
FIG. 4 is a top plan view thereof;
FIG. 5 is a top plan view thereof, showing the trash receptacle in an alternate position;
FIG. 6 is a bottom plan view thereof;
FIG. 7 is a left elevational view thereof;
FIG. 8 is a right elevational view thereof, showing the trash receptacle in an alternate position;
FIG. 9 is a front elevational view thereof;
FIG. 10 is a rear elevational view thereof; and,
FIG. 11 is a front elevational view thereof, showing the trash receptacle in an alternate position.
The broken lines shown in the figures are for the purposes of illustrating portions of the trash receptacle, which form no part of the claimed design.

(56) **References Cited**

U.S. PATENT DOCUMENTS

D222,738 S * 12/1971 Weems D34/5
D326,752 S * 6/1992 Griggs D34/24
D329,111 S * 9/1992 Urquidi D34/1
D349,992 S * 8/1994 Brohan D34/5
D351,700 S * 10/1994 Uzelman D34/24
D401,305 S * 11/1998 Pettesch D23/202
D401,722 S * 11/1998 Eichenberg D34/6
D422,123 S * 3/2000 Roudebush D32/37

1 Claim, 8 Drawing Sheets



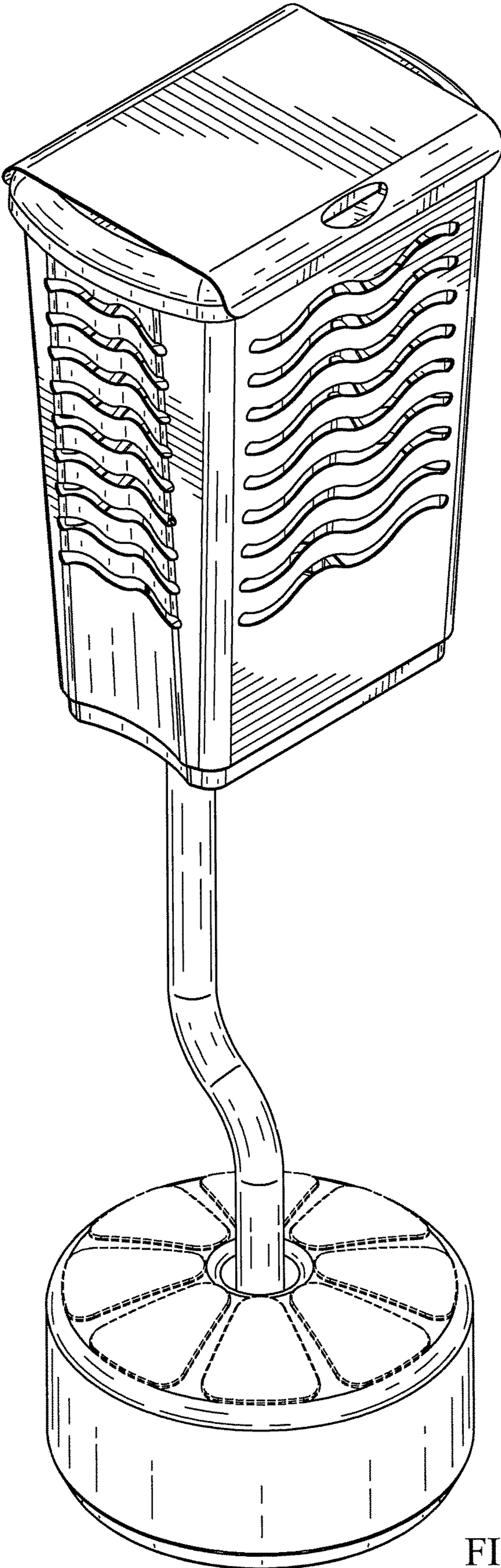


FIG. 1

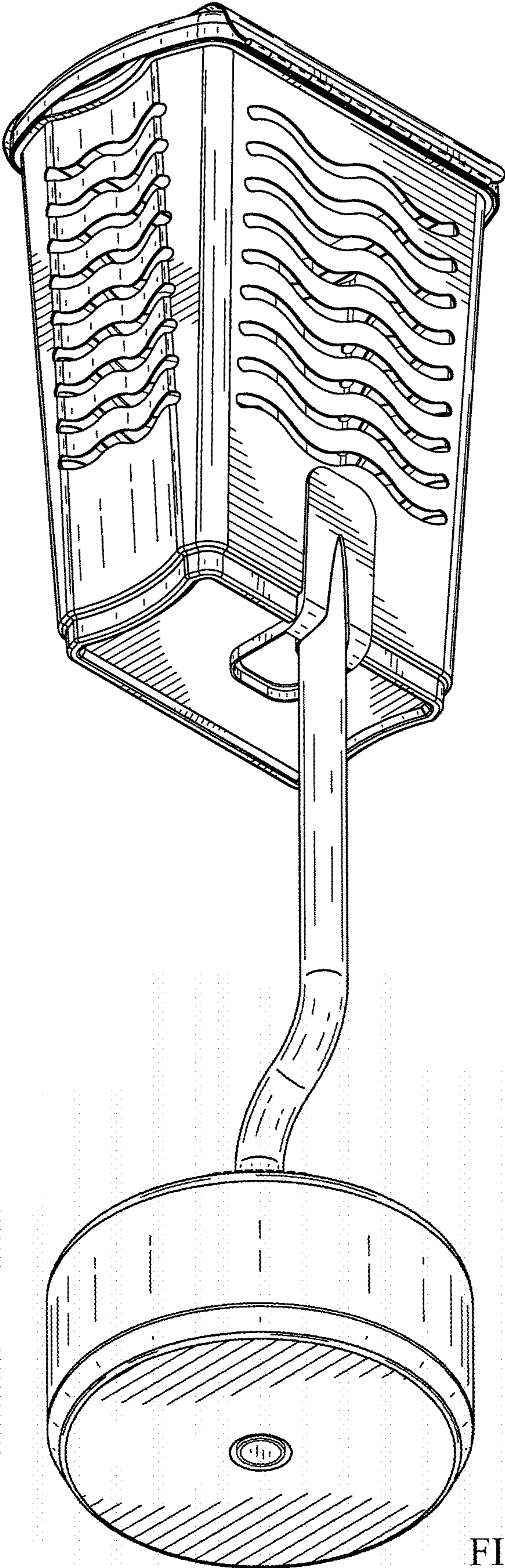


FIG. 2

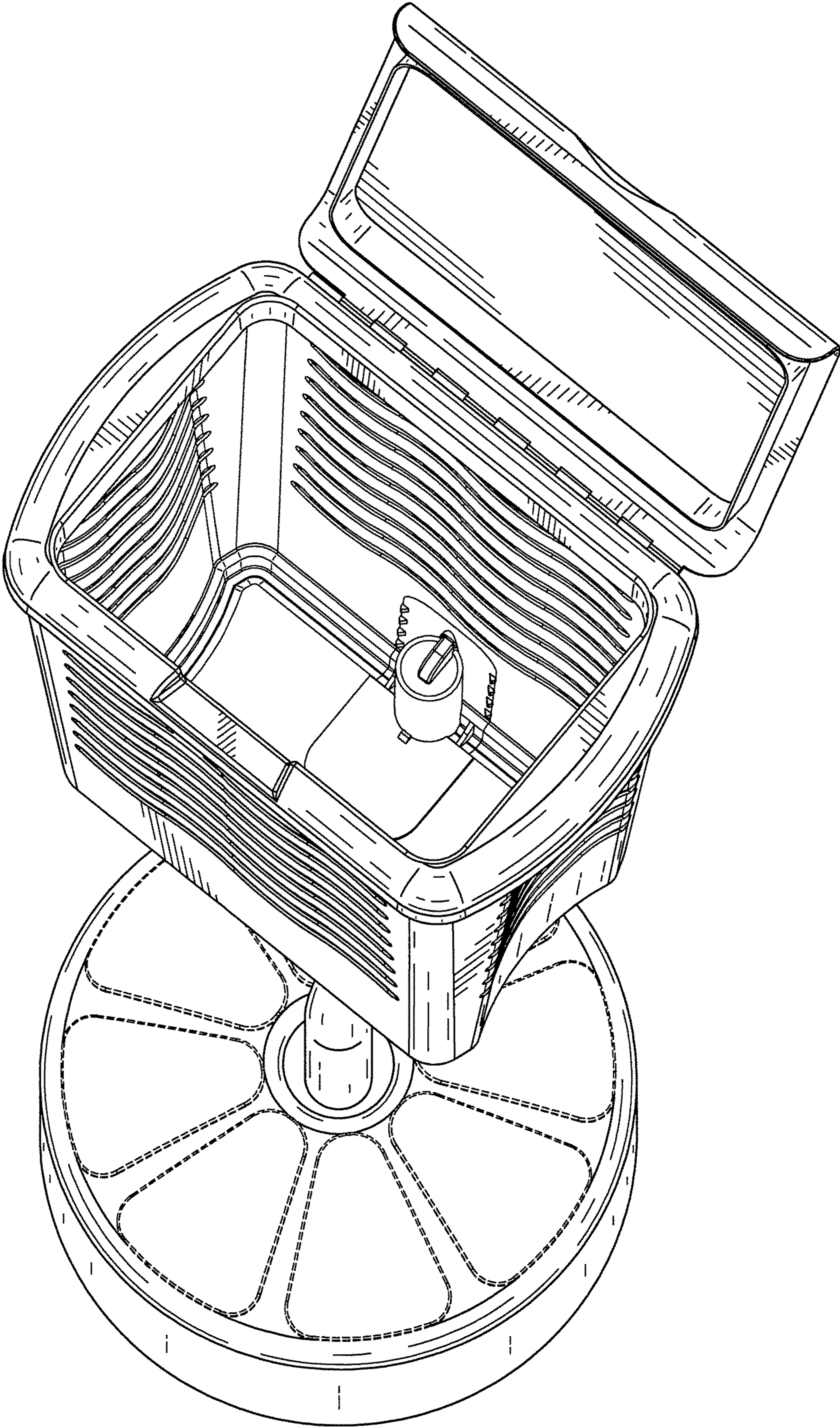


FIG. 3

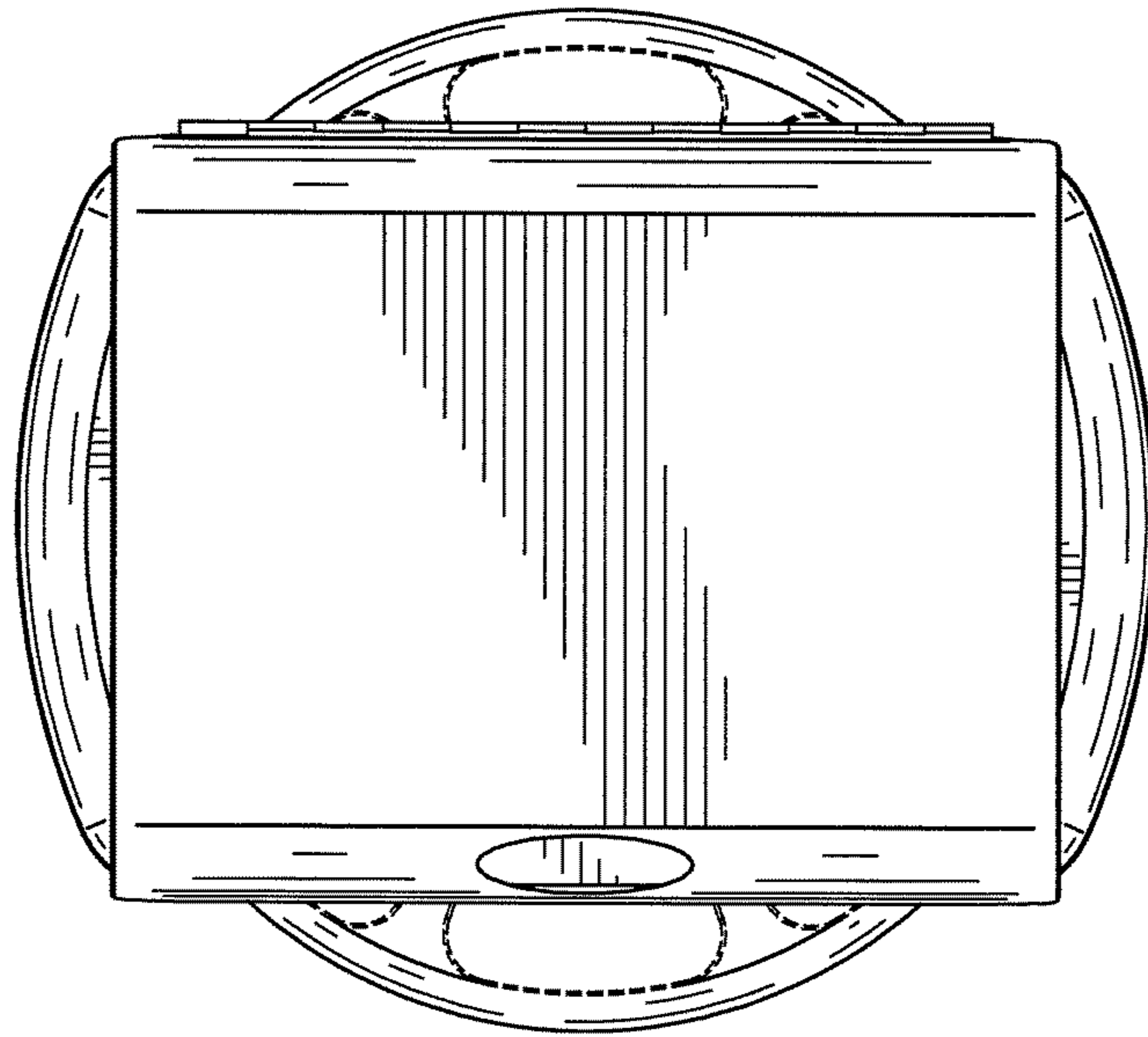


FIG. 4

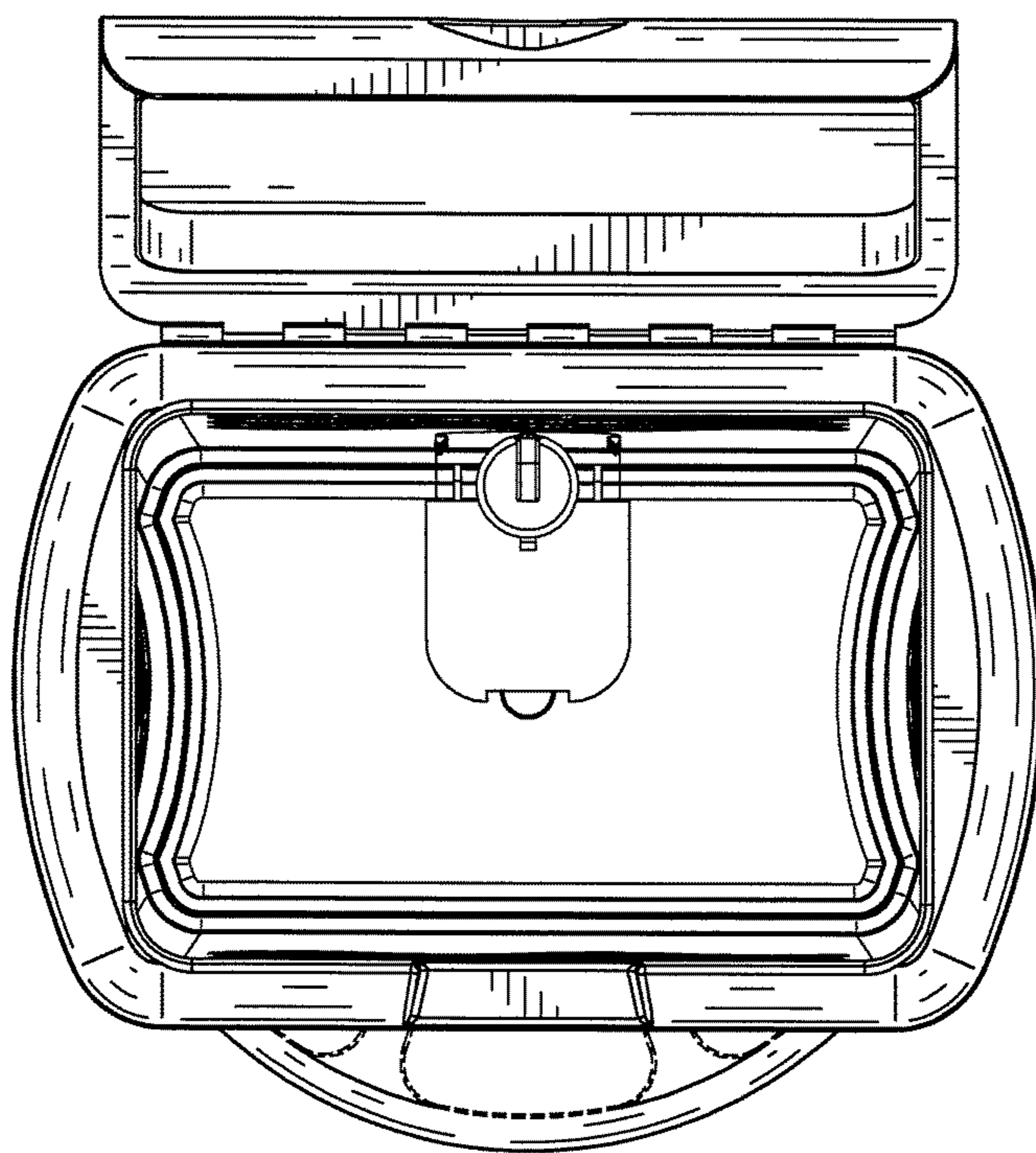


FIG. 5

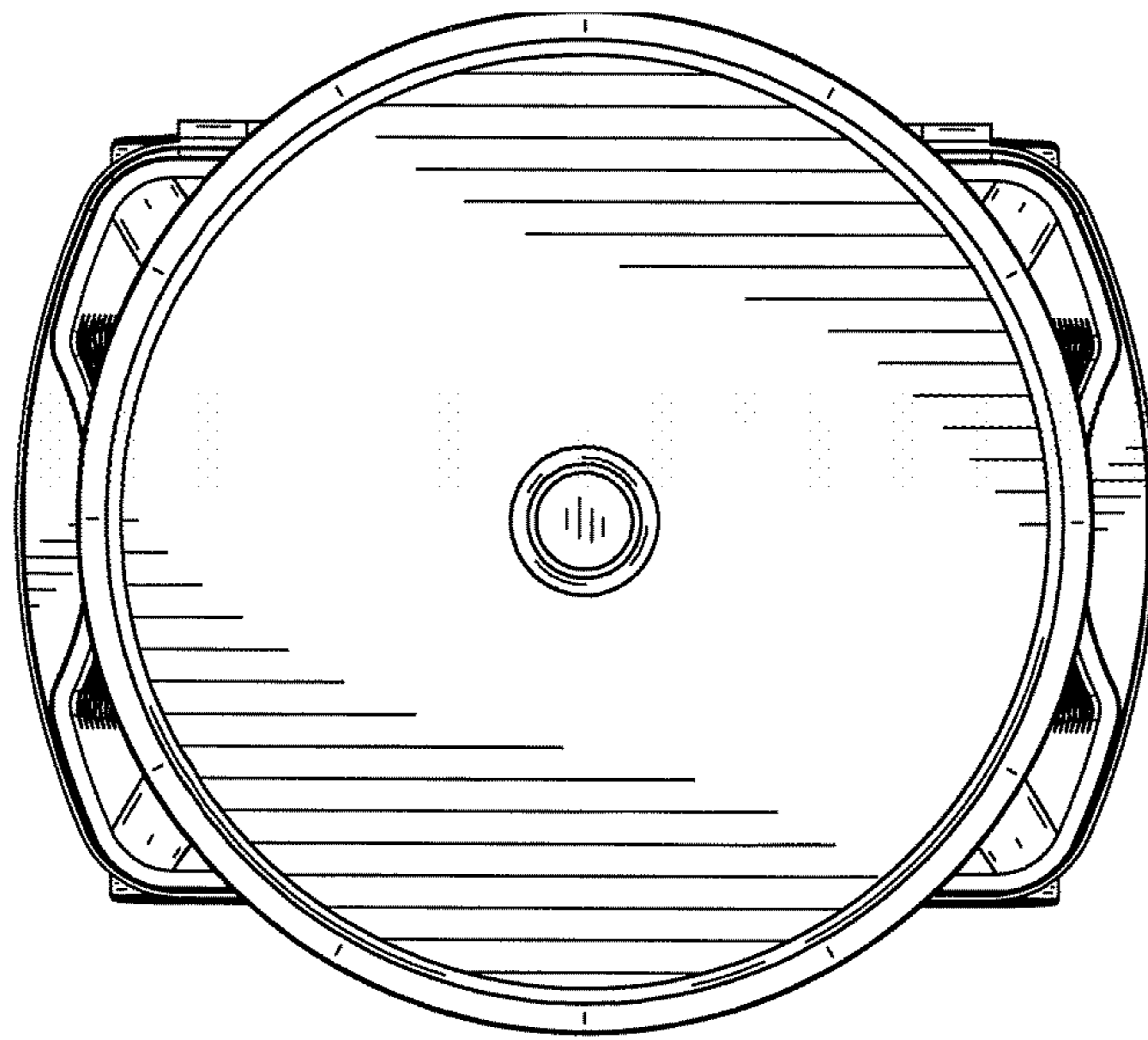


FIG. 6

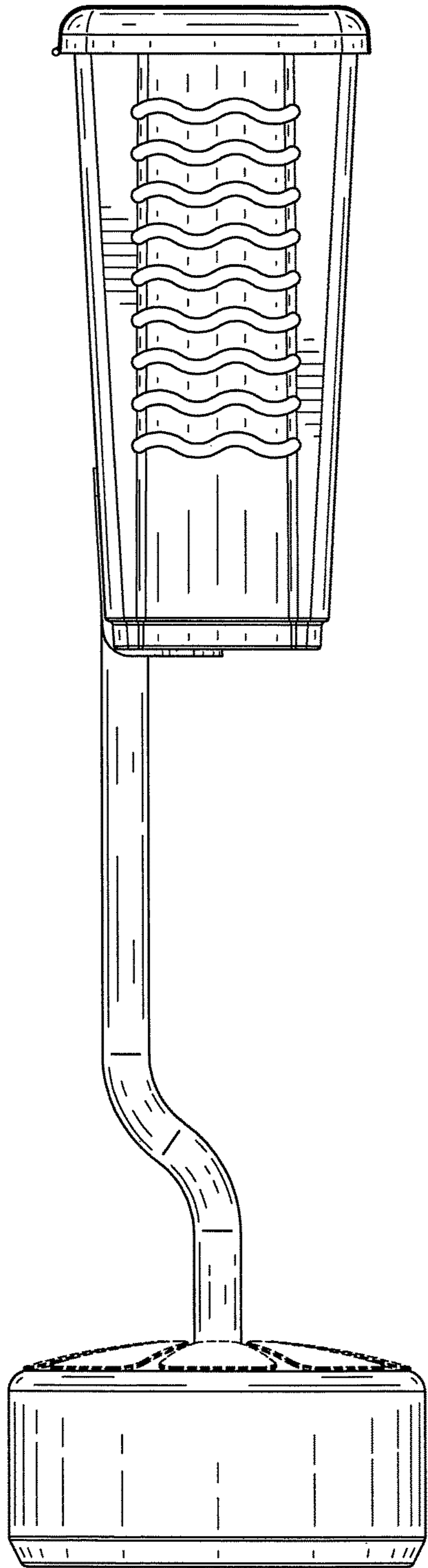


FIG. 7

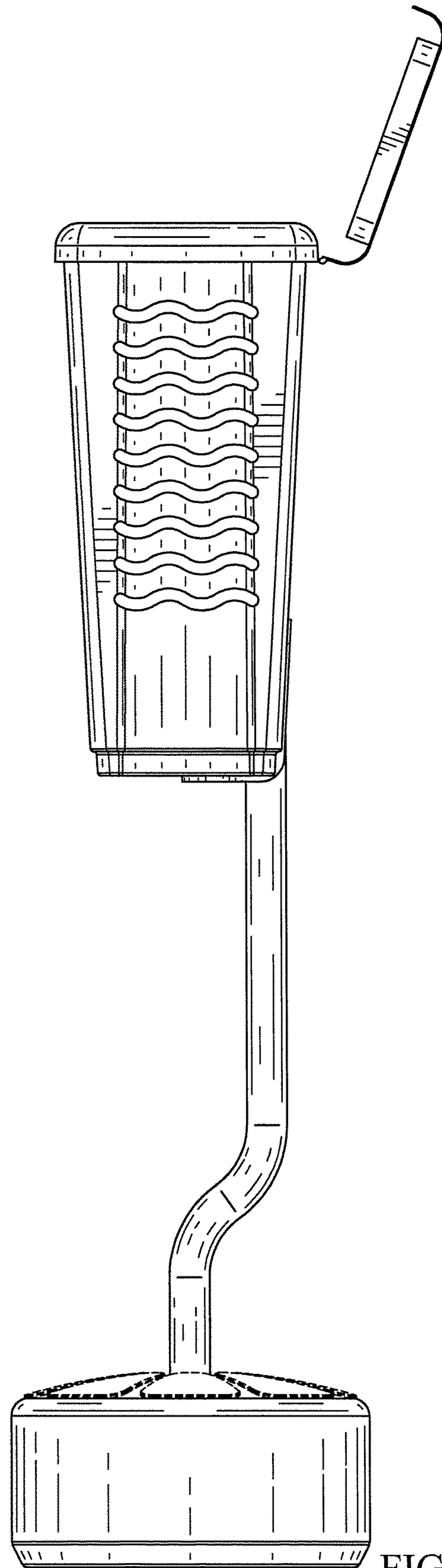


FIG. 8

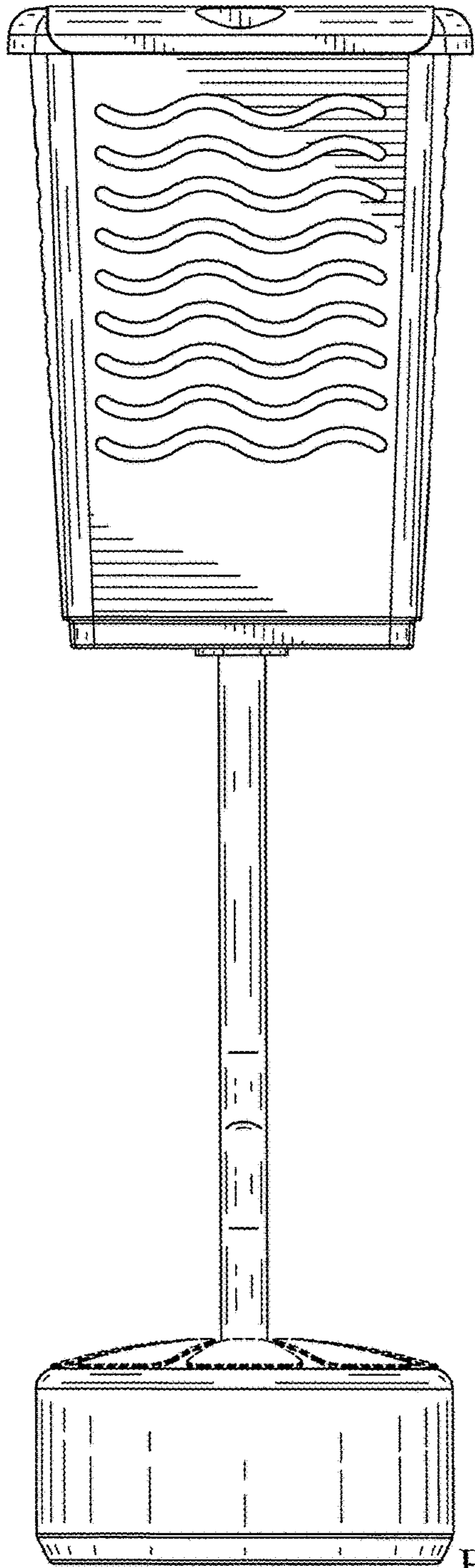


FIG. 9

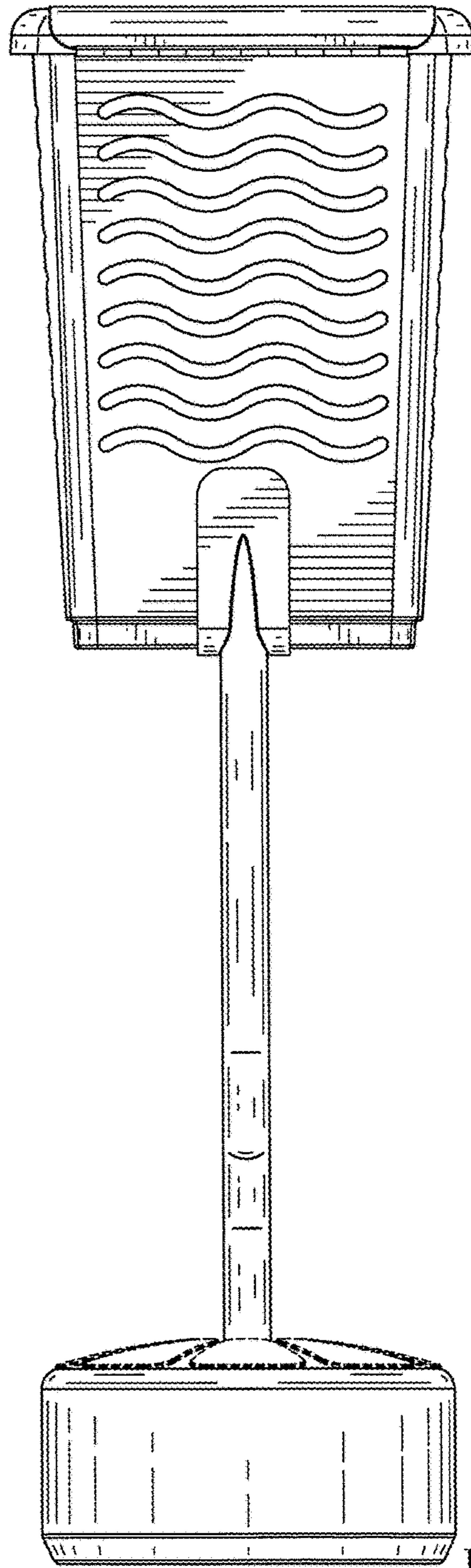


FIG. 10

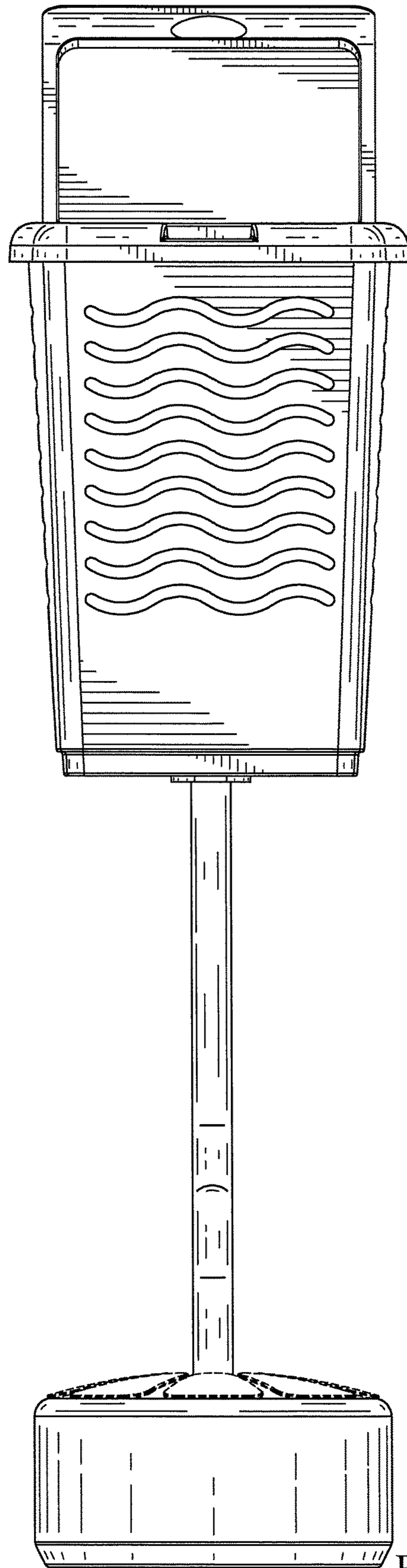


FIG. 11