



US00D886399S

(12) **United States Design Patent**
Miyawaki

(10) **Patent No.:** **US D886,399 S**
(45) **Date of Patent:** **** Jun. 2, 2020**

- (54) **CLOTHES DRYER**
- (71) Applicant: **IRIS OHYAMA INC.**, Sendai-shi,
Miyagi (JP)
- (72) Inventor: **Masayuki Miyawaki**, Kakuda (JP)
- (73) Assignee: **IRIS OHYAMA INC.**, Sendai-shi (JP)
- (**) Term: **15 Years**
- (21) Appl. No.: **29/634,873**
- (22) Filed: **Jan. 25, 2018**
- (30) **Foreign Application Priority Data**

Aug. 8, 2017 (JP) 2017-017051

- (51) **LOC (12) Cl.** **15-05**
- (52) **U.S. Cl.**
USPC **D32/8**
- (58) **Field of Classification Search**
USPC D32/29.1, 29, 28, 6, 25, 8, 1, 5, 10;
D7/348-349; D6/510
CPC D06F 39/045; D06F 29/00; D06F 29/005;
D06F 25/00; D06F 39/022; D06F 33/02;
D06F 2204/065; D06F 35/006
See application file for complete search history.

(56) **References Cited**

U.S. PATENT DOCUMENTS

- 5,174,048 A * 12/1992 Shero F26B 21/001
34/444
- D340,326 S * 10/1993 Genovese D32/15
- 5,265,895 A * 11/1993 Barrett A47L 5/22
280/47.24
- D422,351 S * 4/2000 Griffin D23/383
- D422,387 S * 4/2000 Mutoh D32/25
- D516,258 S * 2/2006 Matsusaki D32/1
- D519,692 S * 4/2006 Jun D32/6
- D530,002 S * 10/2006 Ching D23/317
- D532,897 S * 11/2006 Yoshida D23/383

- D537,991 S * 3/2007 Jun D32/6
- D547,915 S * 7/2007 Jun D32/6
- D557,466 S * 12/2007 Suh D32/6
- D583,114 S * 12/2008 Jeon D32/8
- 7,785,064 B2 * 8/2010 Bartholmey F04D 29/4246
415/1
- D642,753 S * 8/2011 Ha D32/6
- D658,340 S * 4/2012 Jeon D32/6
- D663,907 S * 7/2012 Jeon D32/6

(Continued)

Primary Examiner — Michelle E. Wilson

(74) *Attorney, Agent, or Firm* — Studebaker & Brackett
PC

(57) **CLAIM**

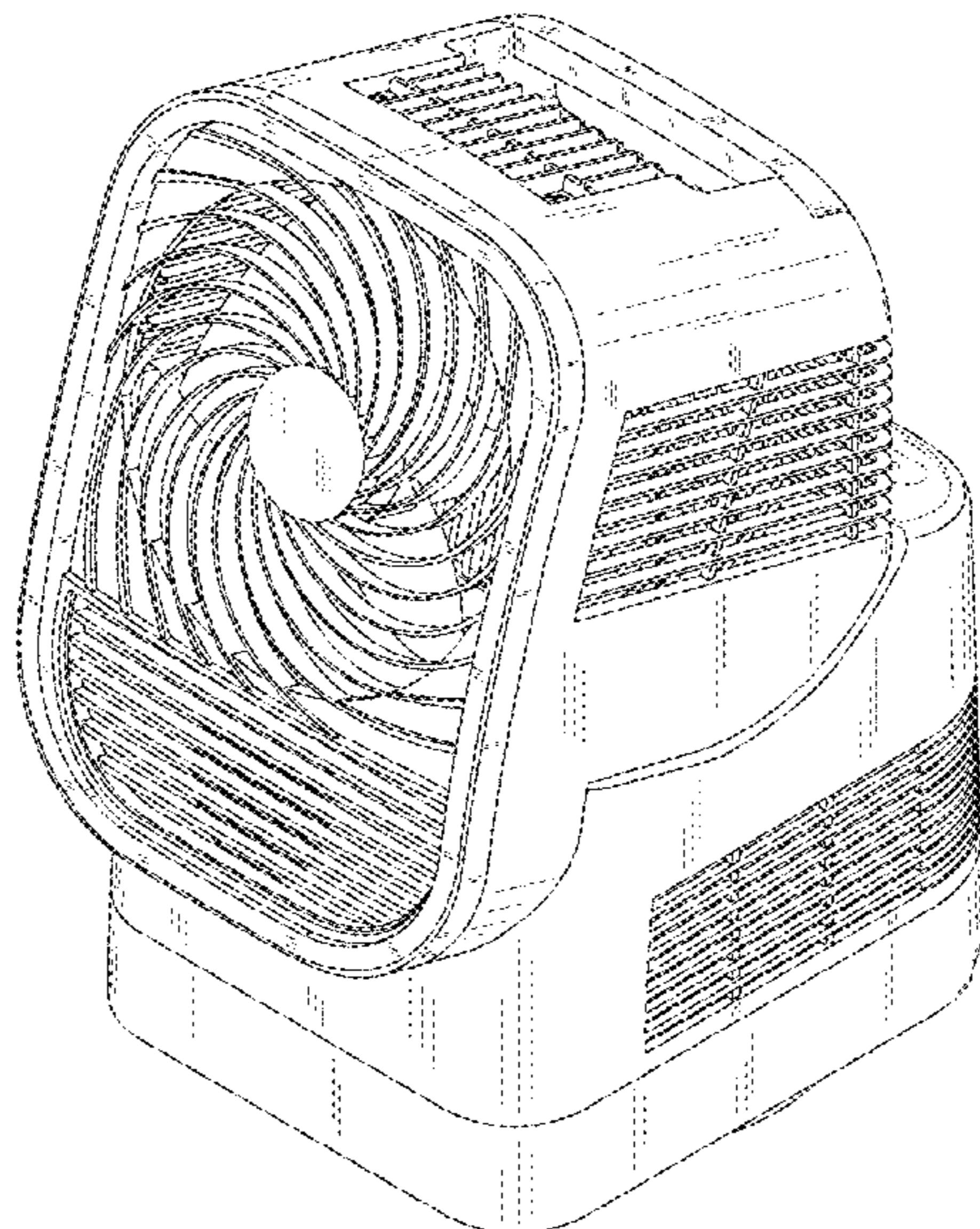
The ornamental design for a clothes dryer, as shown and described.

DESCRIPTION

FIG. 1 is a front, top and right-side perspective view of a clothes dryer showing my new design;
 FIG. 2 is a front view thereof;
 FIG. 3 is a rear view thereof;
 FIG. 4 is a top view thereof;
 FIG. 5 is a bottom view thereof;
 FIG. 6 is a right-side view thereof;
 FIG. 7 is a left-side view thereof;
 FIG. 8 is a cross-sectional view taken along line 8-8 in FIG. 2, in which the internal mechanism is omitted;
 FIG. 9 is a cross-sectional view taken along line 9-9 in FIG. 2, in which the internal mechanism is omitted;
 FIG. 10 is a cross-sectional view taken along line 10-10 in FIG. 2, in which the internal mechanism is omitted; and,
 FIG. 11 is an in-use, right-side view thereof.

The broken lines shown represent unclaimed subject matter of the clothes dryer and form no part of the claimed design. The clothes dryer has a first air outlet for supplying ordinary-temperature air and a second air outlet for supplying warm air.

1 Claim, 11 Drawing Sheets



(56)

References Cited

U.S. PATENT DOCUMENTS

D663,908	S *	7/2012	Jeon	D32/6
D664,313	S *	7/2012	Chung	D32/6
D703,887	S *	4/2014	Lee	D32/8
D704,908	S *	5/2014	Cui	D23/383
D729,467	S *	5/2015	Jee	D32/6
D730,597	S *	5/2015	Jeon	D32/8
D733,981	S *	7/2015	Sechere	D32/8
D738,582	S *	9/2015	Chung	D32/6
9,121,638	B2 *	9/2015	Black	F26B 9/02
D761,950	S *	7/2016	Kulp	D23/383

* cited by examiner

FIG. 1

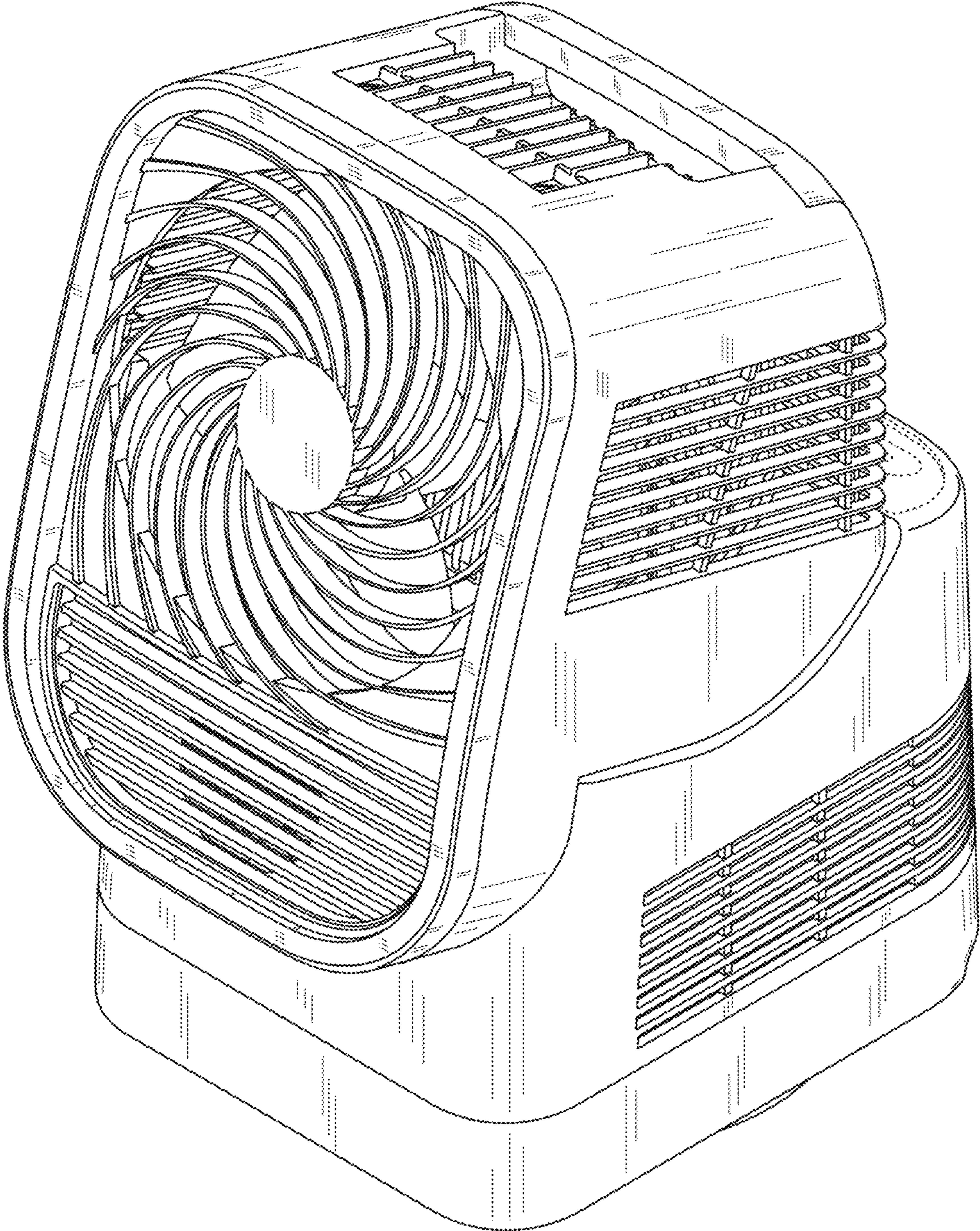


FIG. 2

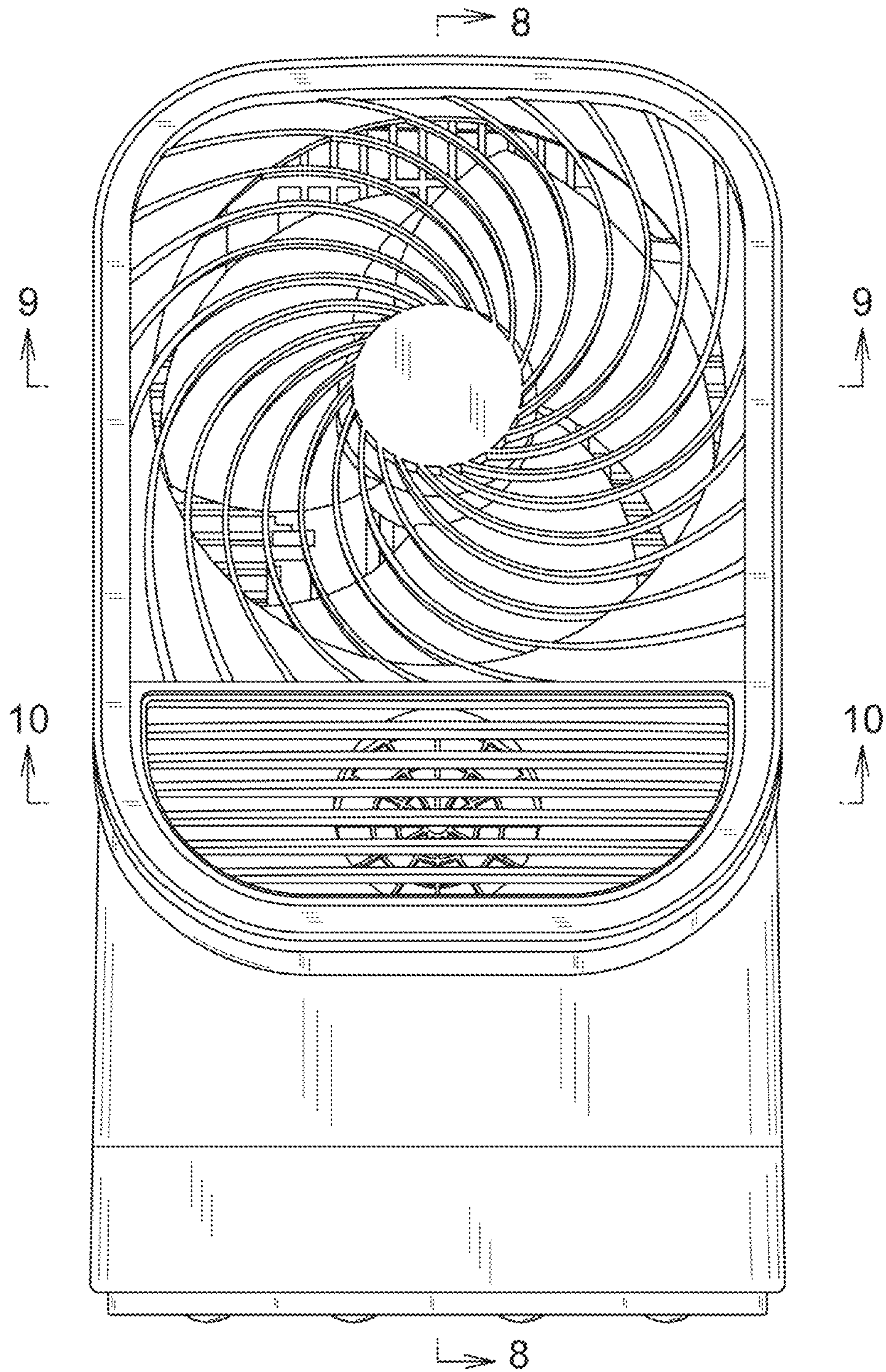


FIG. 3

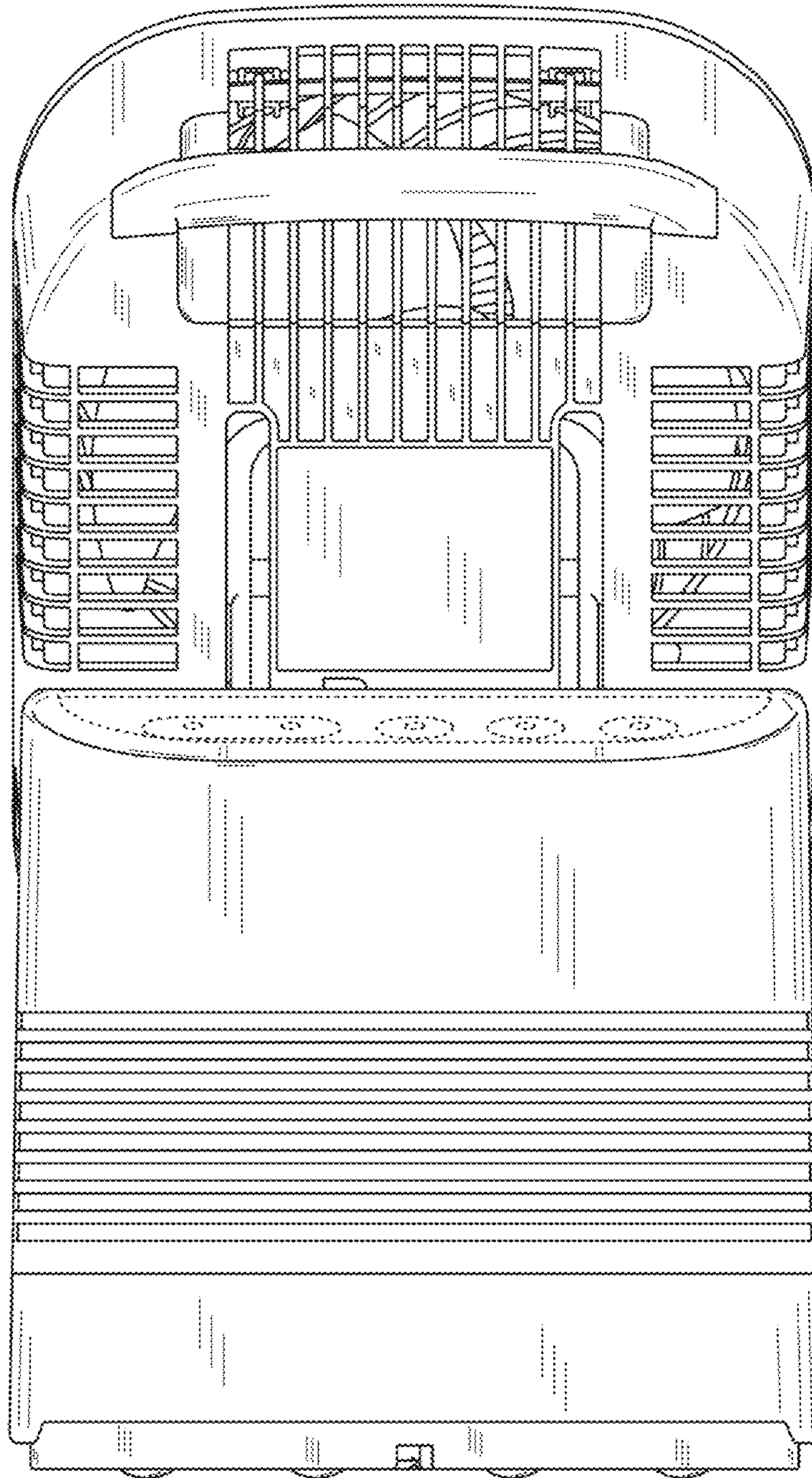


FIG. 4

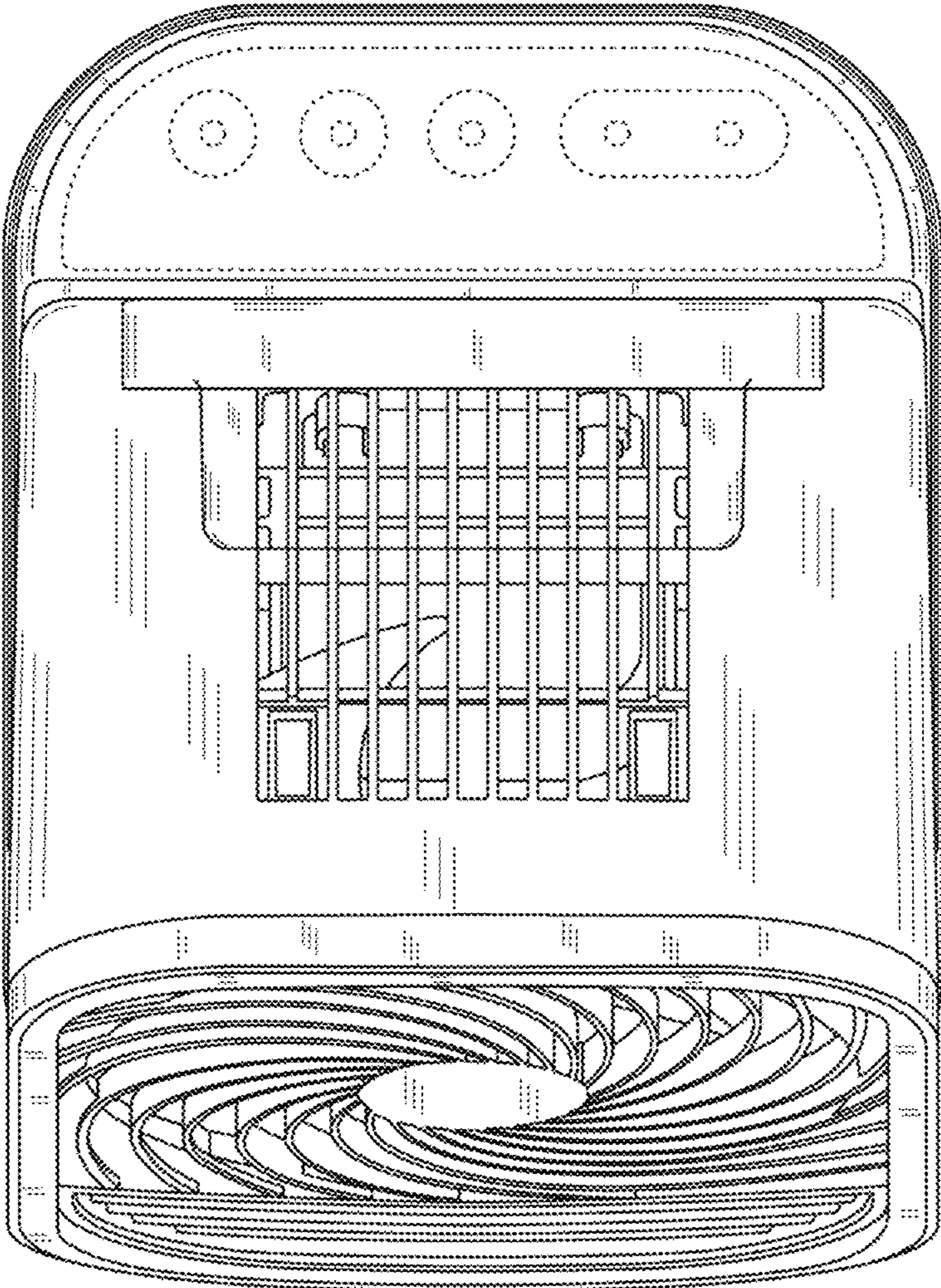


FIG. 5

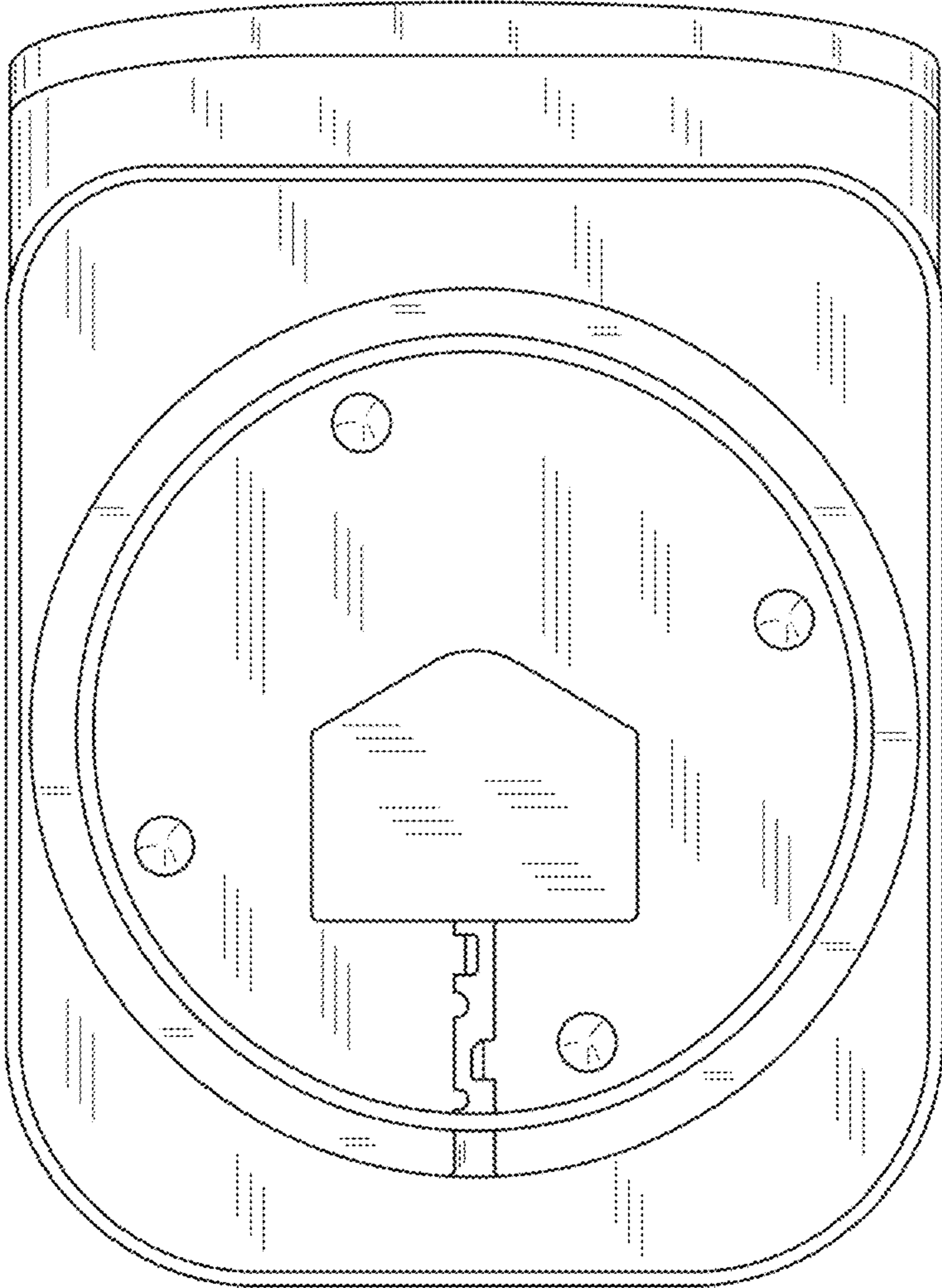


FIG. 6

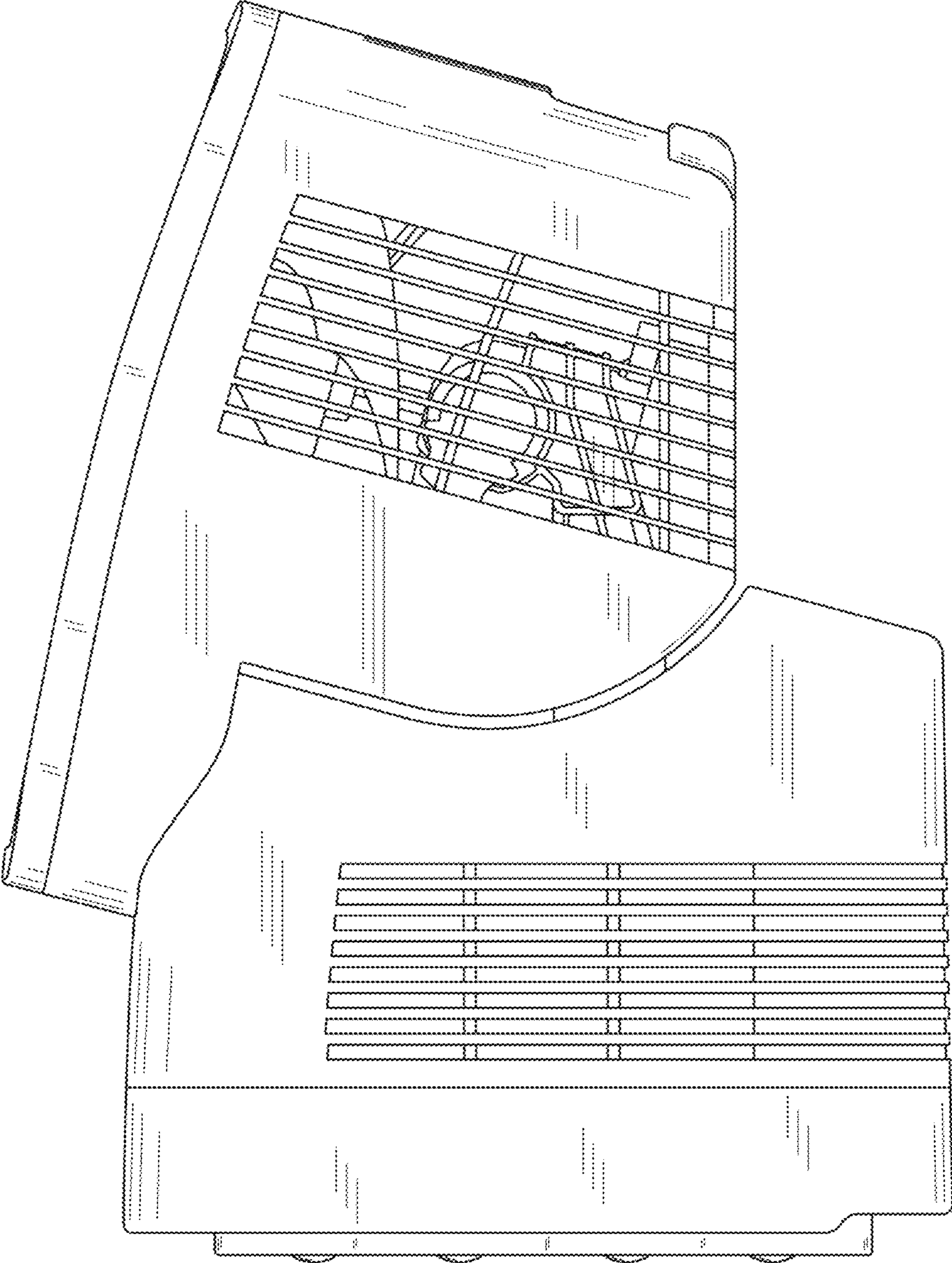


FIG. 7

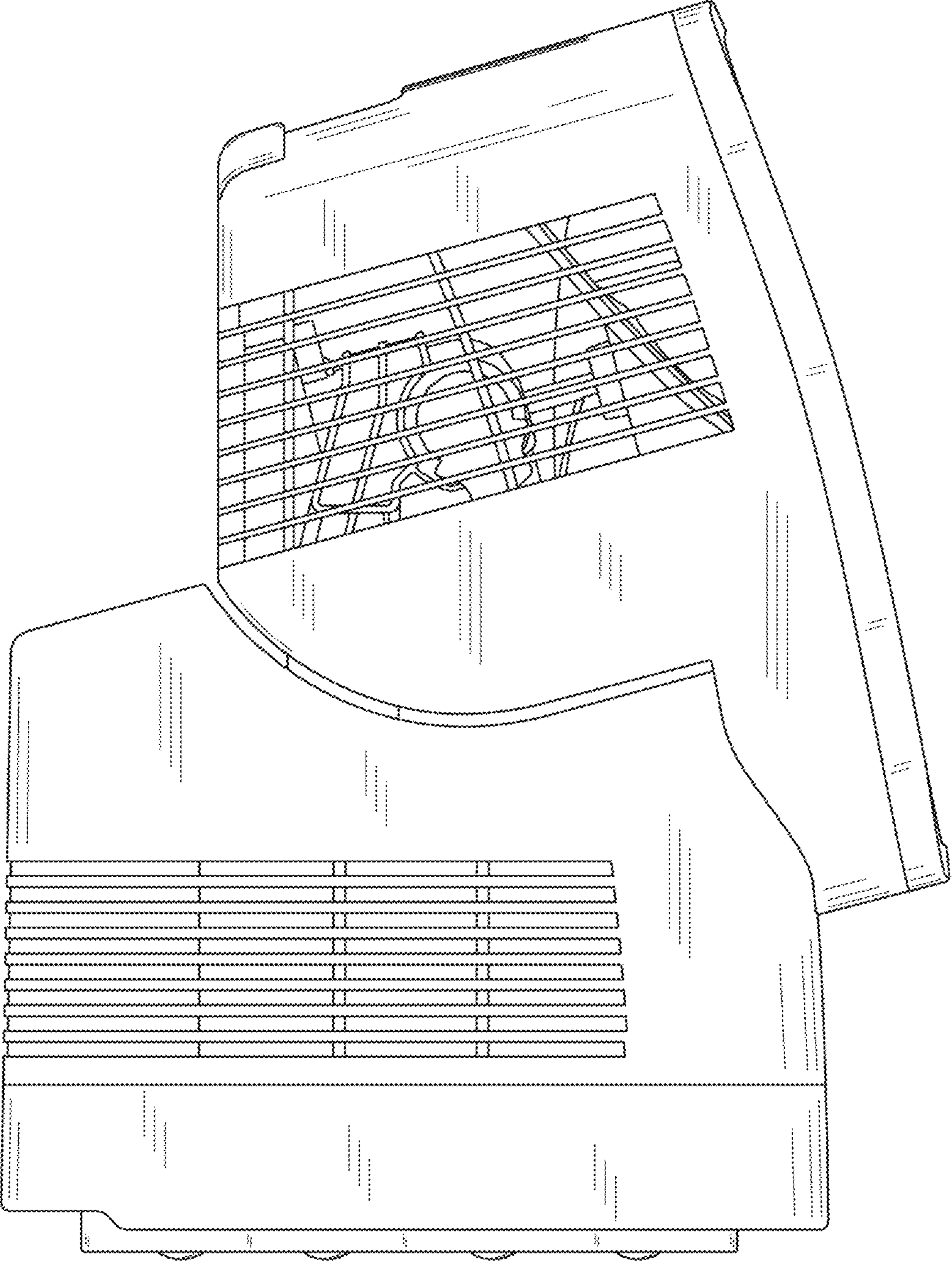


FIG. 8

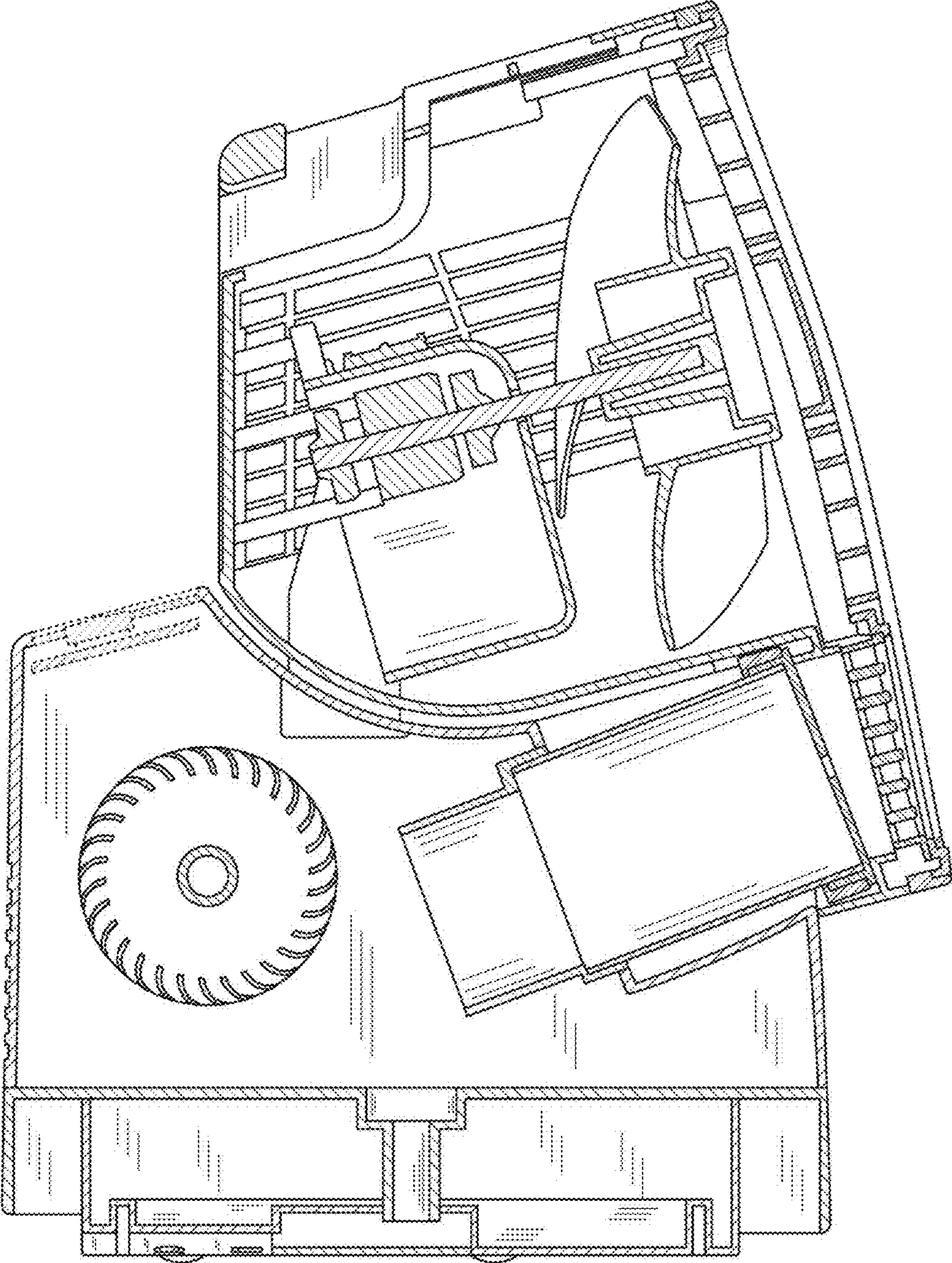


FIG. 9

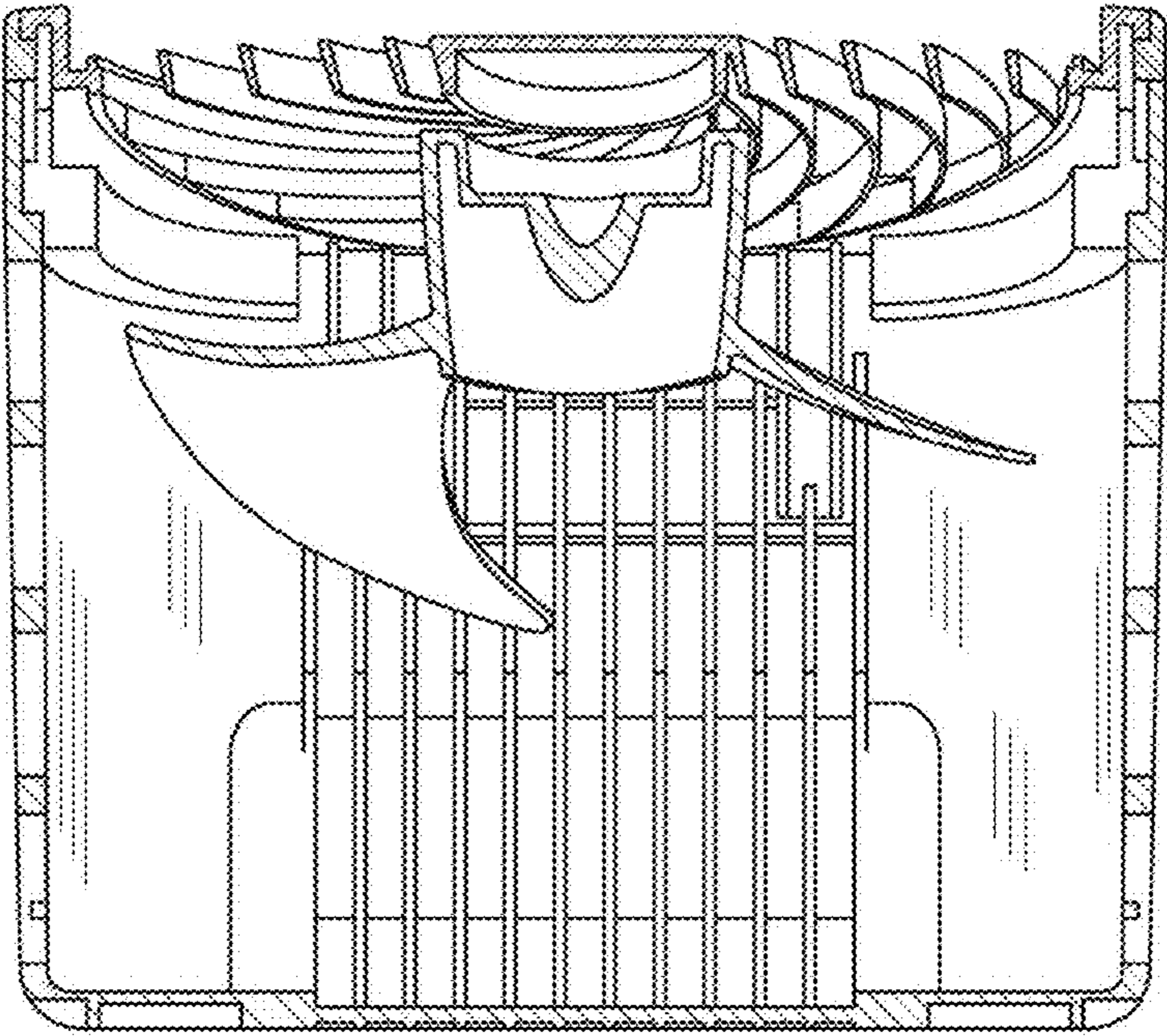


FIG. 10

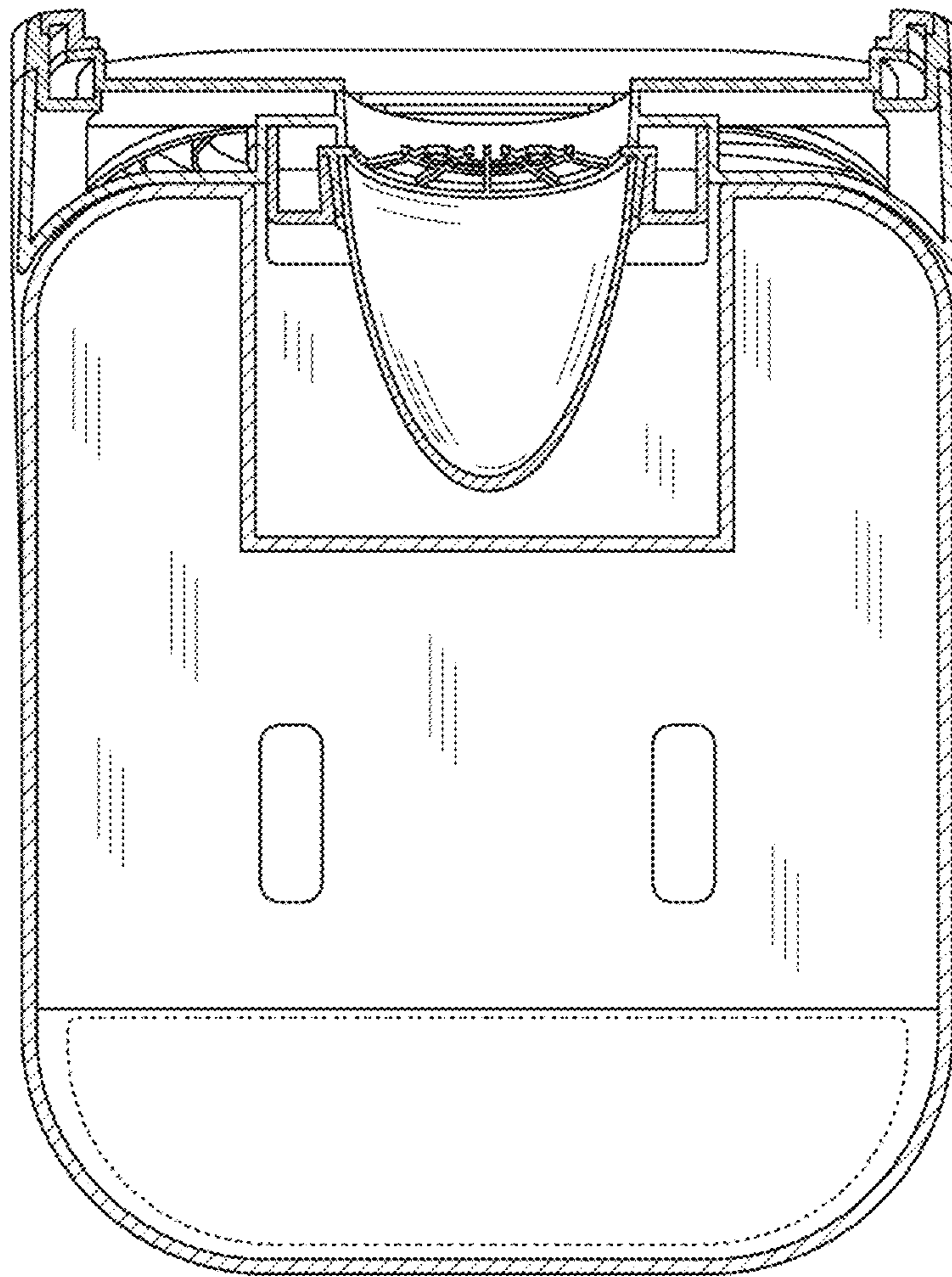


FIG. 11

