



US00D886395S

(12) **United States Design Patent** (10) **Patent No.:** **US D886,395 S**
Han et al. (45) **Date of Patent:** **** Jun. 2, 2020**

(54) **DOG HARNESS**
(71) Applicant: **Hu Han**, Xi'An (CN)
(72) Inventors: **Hu Han**, Xi'An (CN); **Bei Huang**, Shangrao (CN)
(**) Term: **15 Years**
(21) Appl. No.: **29/695,855**
(22) Filed: **Jun. 22, 2019**
(51) **LOC (12) Cl.** **30-04**
(52) **U.S. Cl.**
USPC **D30/152**
(58) **Field of Classification Search**
USPC D30/144, 145, 151, 152, 199; D24/190;
D29/101.1, 101.3, 101.5
CPC A01K 27/002
See application file for complete search history.

2012/0024239 A1* 2/2012 Forbes A01K 1/0263
119/850
2016/0007570 A1* 1/2016 Stout A01K 27/002
119/856
2019/0124890 A1* 5/2019 Kath A01K 1/0263

OTHER PUBLICATIONS

“OneTigris Beast Mojo Tactical Harness”. Found online Dec. 16, 2019 at youtube.com. Page dated Jan. 25, 2019. Retrieved from <https://www.youtube.com/watch?v=bQrXsh303t4>.*

(Continued)

Primary Examiner — Kendra Leslie Hamilton

(74) Attorney, Agent, or Firm — HYIP

(57) **CLAIM**

The ornamental design for a dog harness, as show and described.

DESCRIPTION

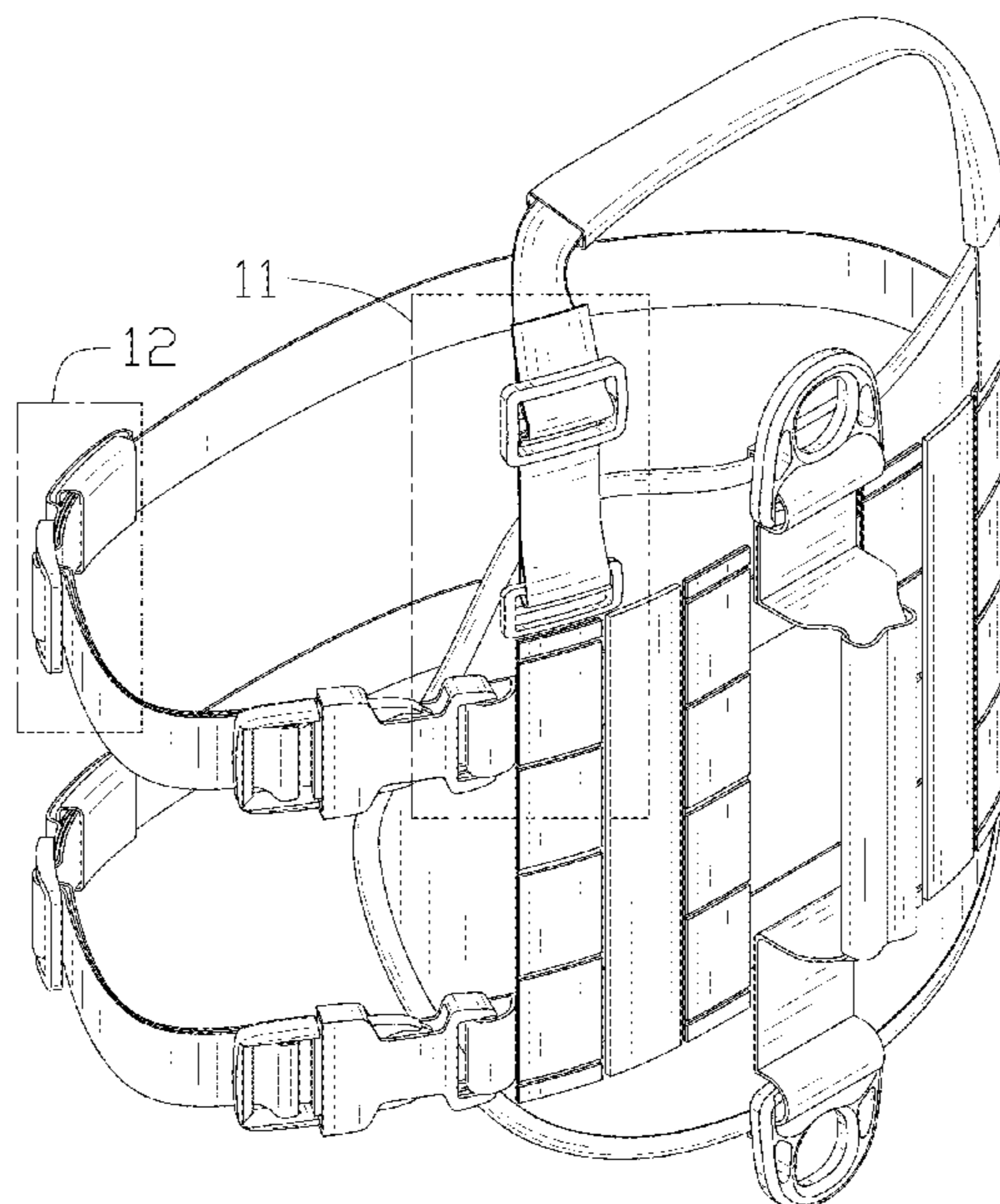
FIG. 1 is a top, front, left perspective view of a dog harness, showing our new design in a first configuration for use; FIG. 2 is a top, rear, right perspective view thereof; FIG. 3 is a front elevation view thereof; FIG. 4 is a rear elevation view thereof; FIG. 5 is a left side elevation view thereof; FIG. 6 is a right side elevation view thereof; FIG. 7 is a top plan view thereof; FIG. 8 is a bottom plan view thereof; FIG. 9 is a top, front, left perspective view of the dog harness of FIG. 1, in an alternate configuration for clarity of disclosure; FIG. 10 is a top, rear, right perspective view thereof; FIG. 11 is an enlarged view of detail “11” identified in FIG. 1; and, FIG. 12 is an enlarged view of detail “12” identified in FIG. 1.

(56) **References Cited**

U.S. PATENT DOCUMENTS

D363,572 S * 10/1995 Obenchain D30/145
D453,594 S * 2/2002 Ishihara D30/152
D459,842 S * 7/2002 Kaplan D30/145
7,757,641 B1 * 7/2010 Worden A01K 27/002
119/792
D653,409 S * 1/2012 Elliott D30/152
D681,287 S 4/2013 Collignon
D682,486 S * 5/2013 Sebo A61D 9/00
D30/152
D745,748 S * 12/2015 Tacker-Betancourt D30/152
D753,350 S * 4/2016 Thitz D30/151
D762,926 S 8/2016 Ets-Hokin
D833,089 S 11/2018 Stanek
2006/0288959 A1 * 12/2006 Schantz A01K 13/006
119/792
2011/0271913 A1 * 11/2011 Min A01K 27/002
119/856

1 Claim, 12 Drawing Sheets



(56)

References Cited

OTHER PUBLICATIONS

“Sneak Preview: OneTigris Beast Mojo Tactical Harness”. Found online Dec. 16, 2019 at mcsdogtraining.net. Page dated 12/25/2018. Retrieved from <https://mcsdogtraining.net/dog-gear/beast-mojo-tactical-dog-harness-sneak-preview/>.*

“Jackys Tactical Harness”. Found online Dec. 16, 2019 at [amazon.co.uk](https://www.amazon.co.uk). Page dated Oct. 29, 2019. Retrieved from https://www.amazon.co.uk/Jackys-Tactical-Training-Clothing-Equipment/dp/B07ZPPZXTJ/ref=sr_1_27?keywords=tactical%2Bvest%2Bdog&qid=1576277895&sr=8-27&th=1.*

“OneTigris Tactical Training Molle Harness”. Found online Dec. 16, 2019 at [amazon.co.uk](https://www.amazon.co.uk). Page dated Nov. 24, 2014. Retrieved from https://www.amazon.co.uk/OneTigris-Tactical-Training-Molle-Harness/dp/B00RVFW9JM/ref=sr_1_7?dchild=1&keywords=tactical%2Bvest%2Bdog&qid=1576277895&sr=8-7&th=1.*

* cited by examiner

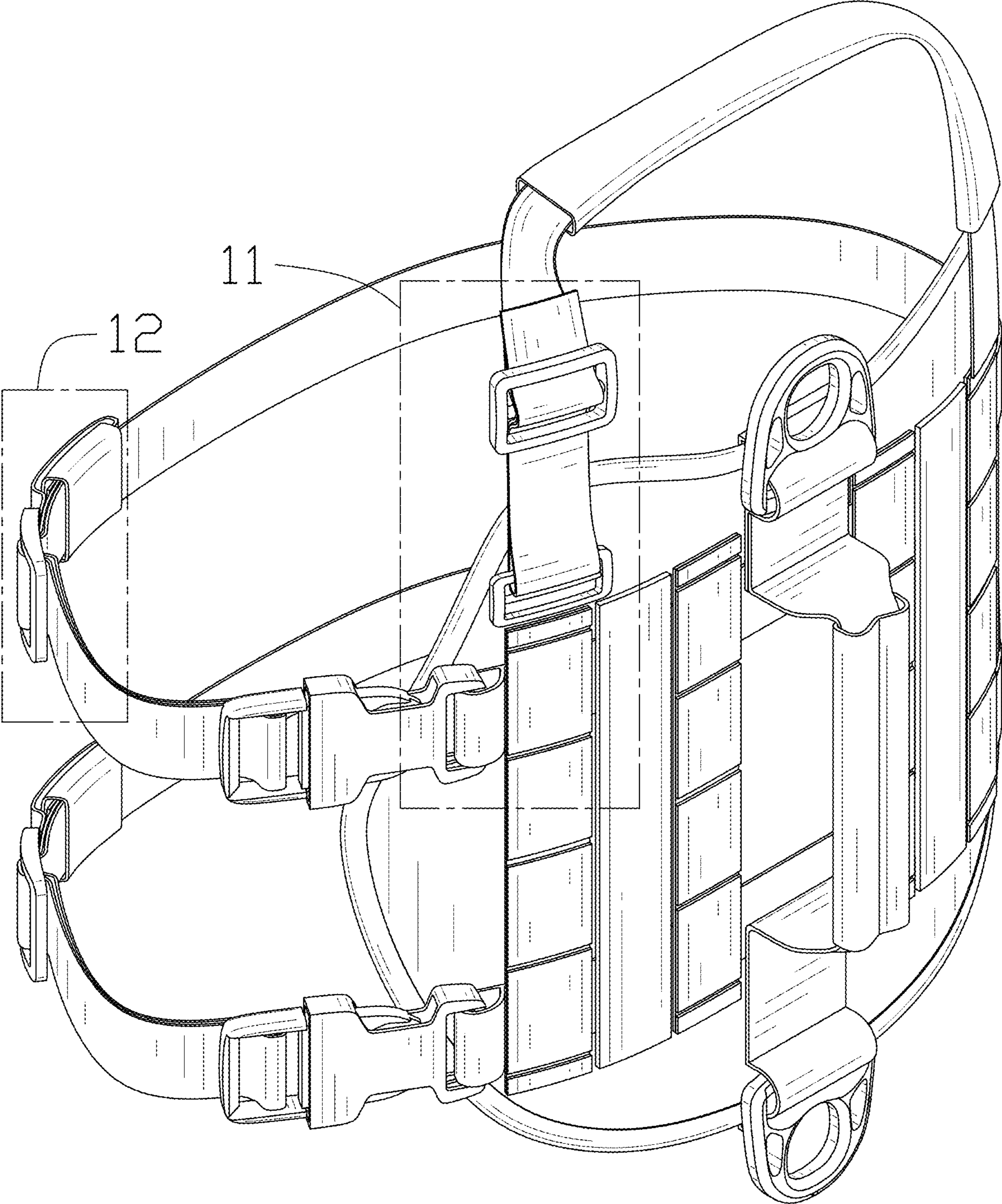


FIG. 1

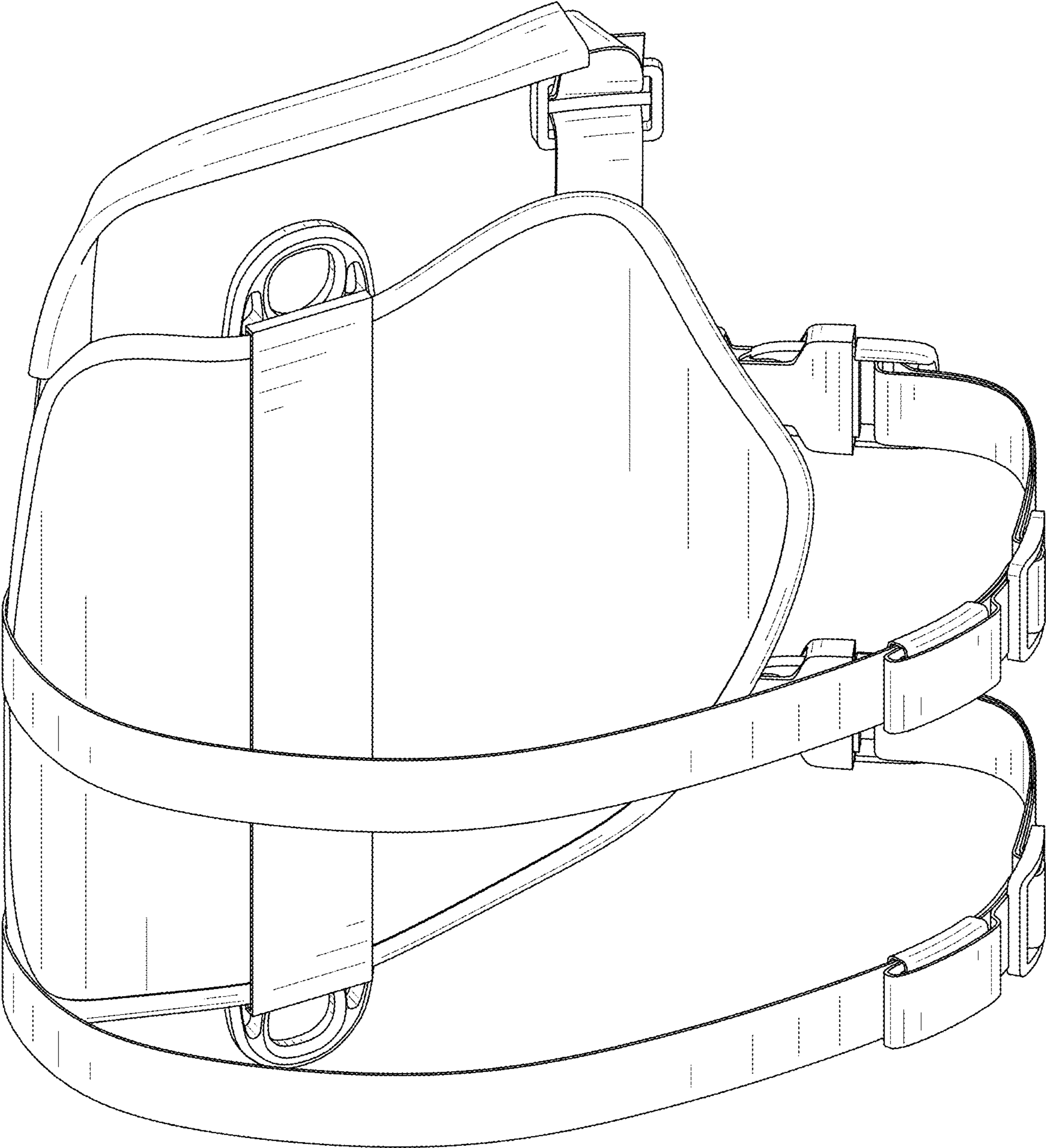


FIG. 2

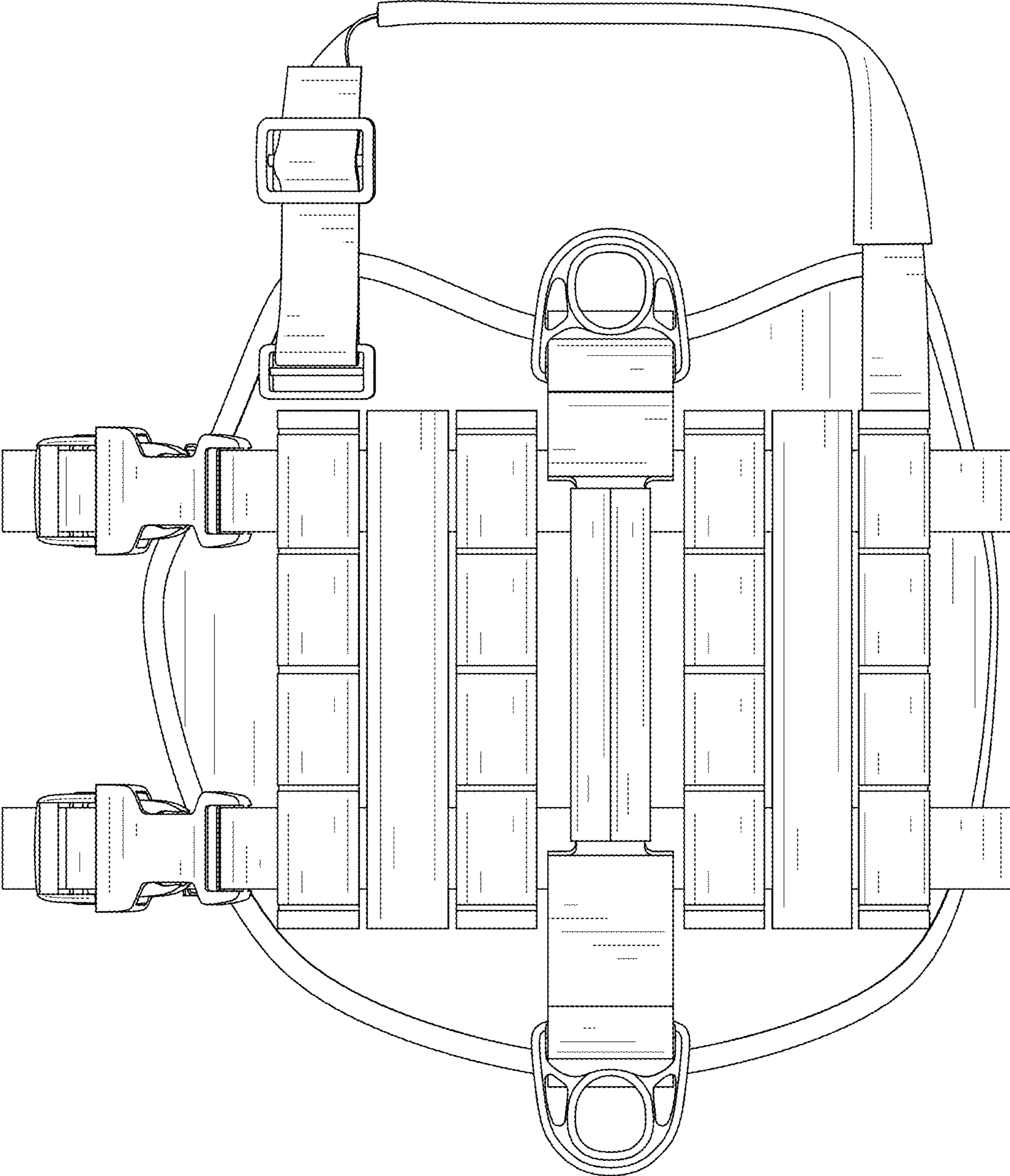


FIG. 3

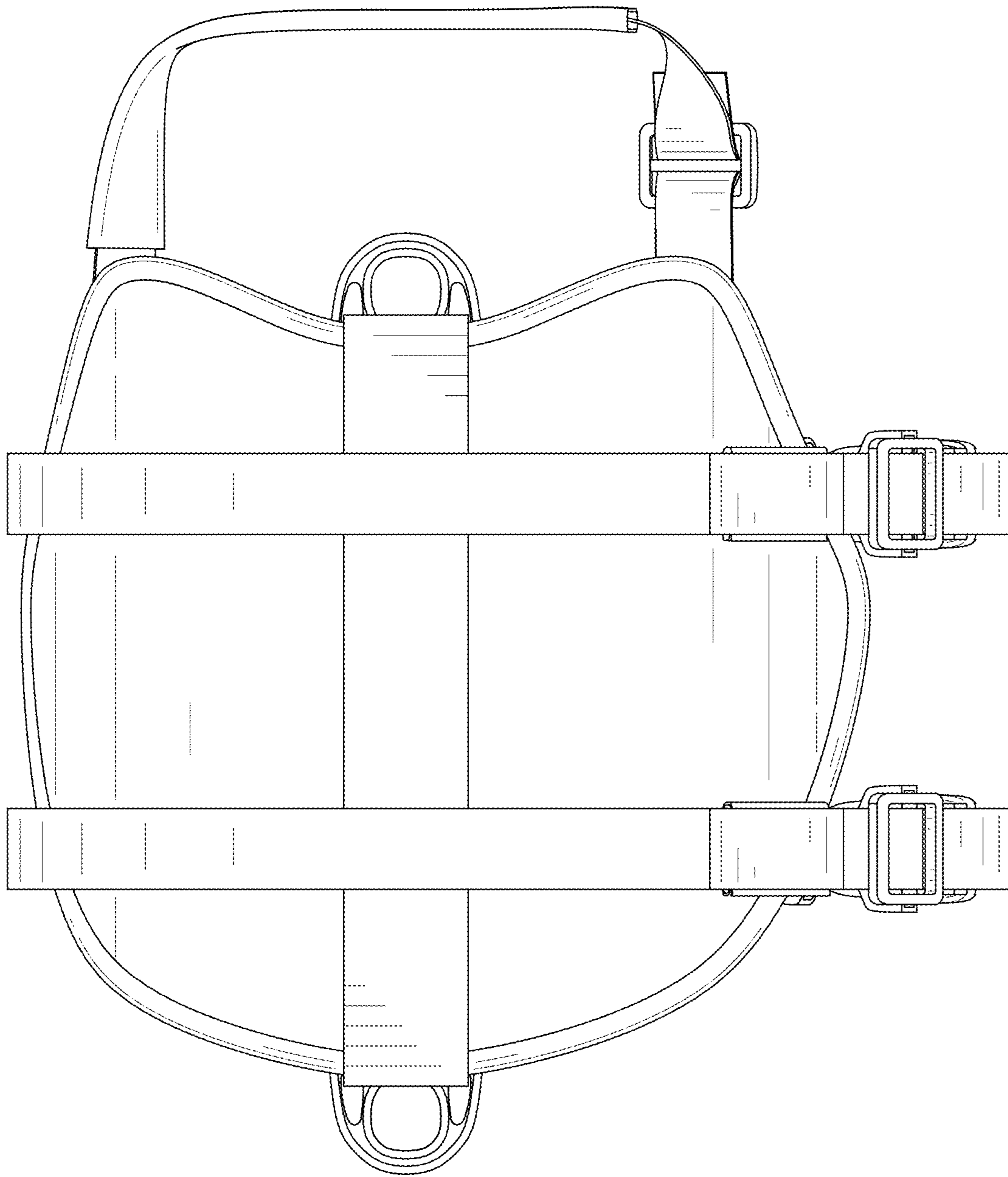


FIG. 4

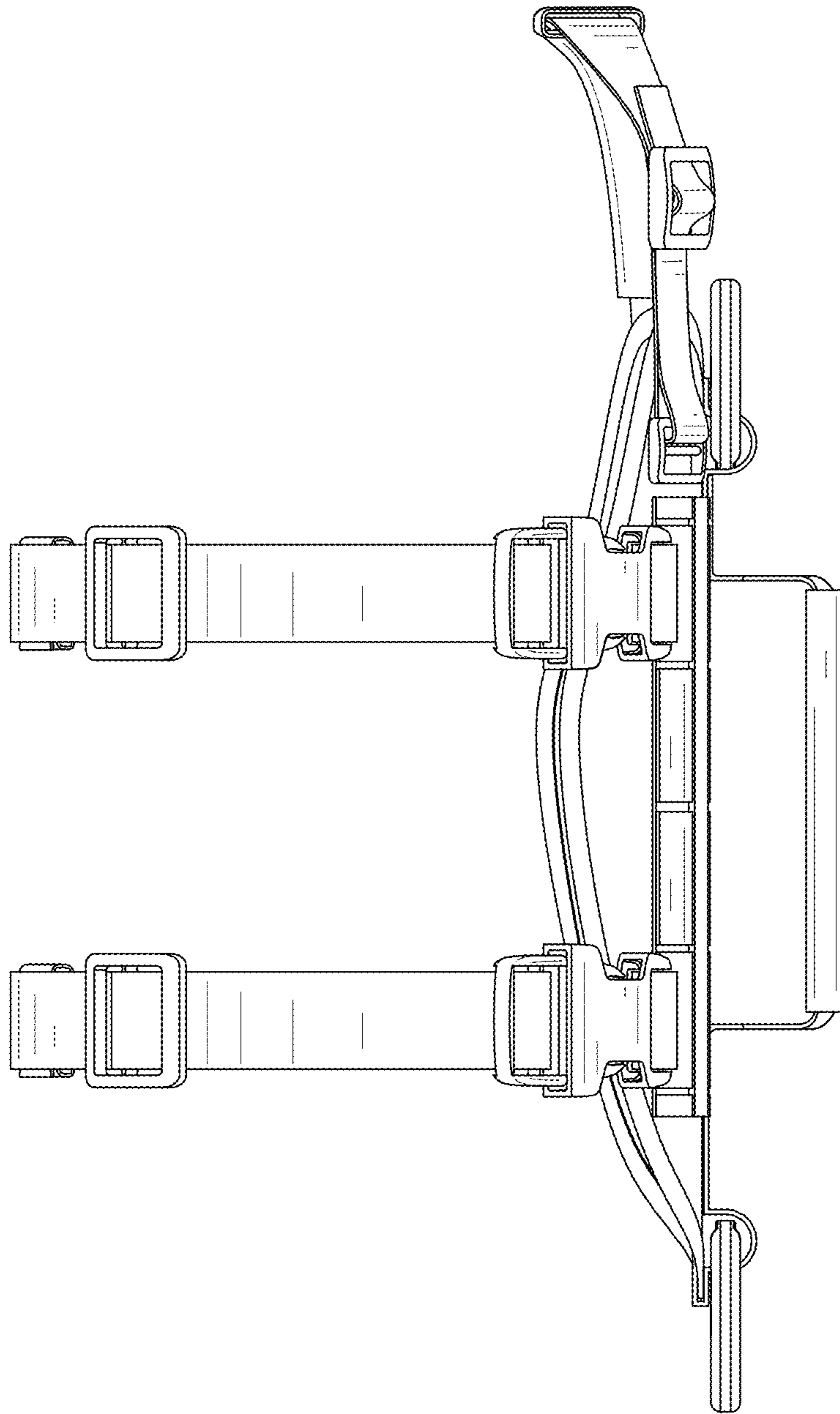


FIG. 5

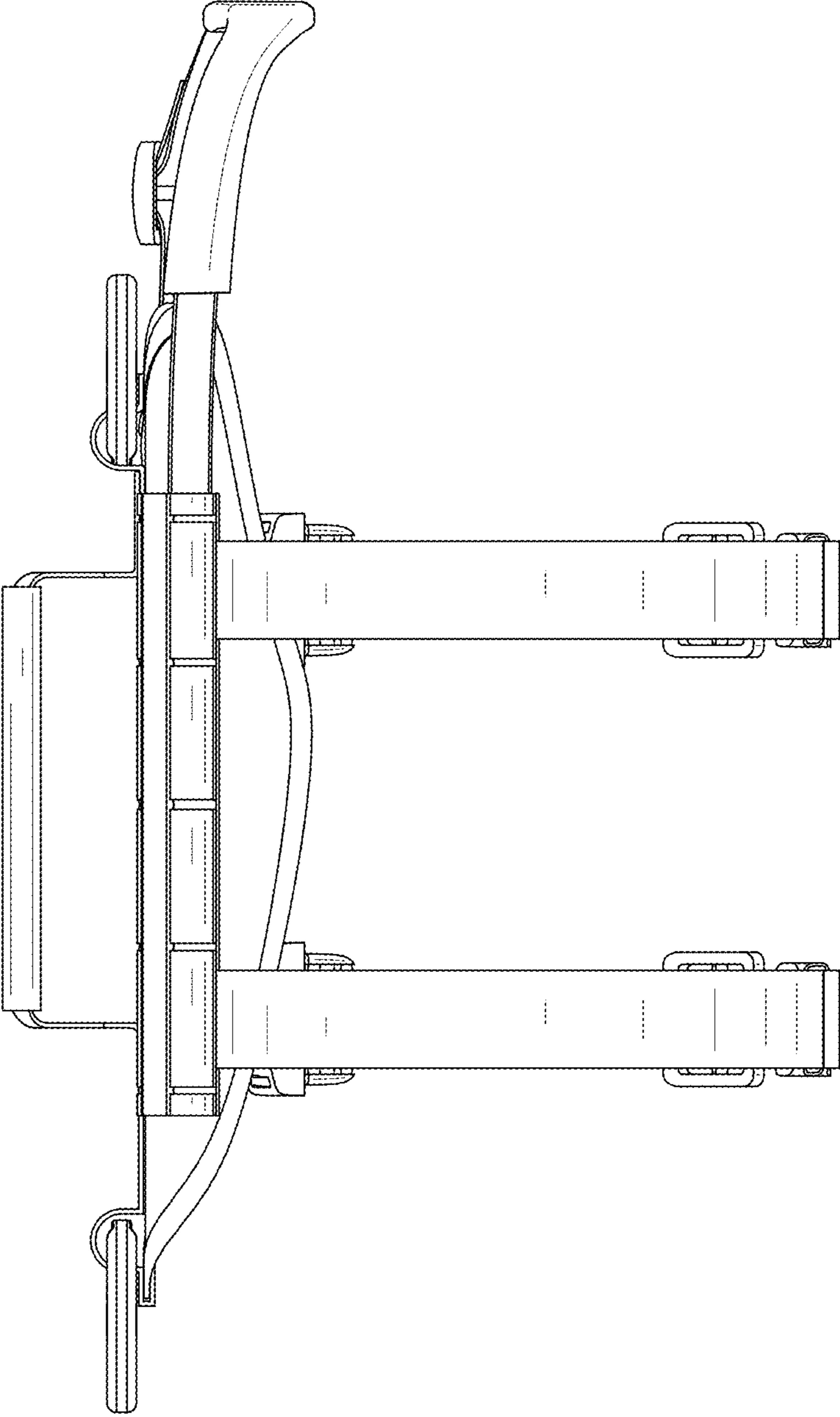


FIG. 6

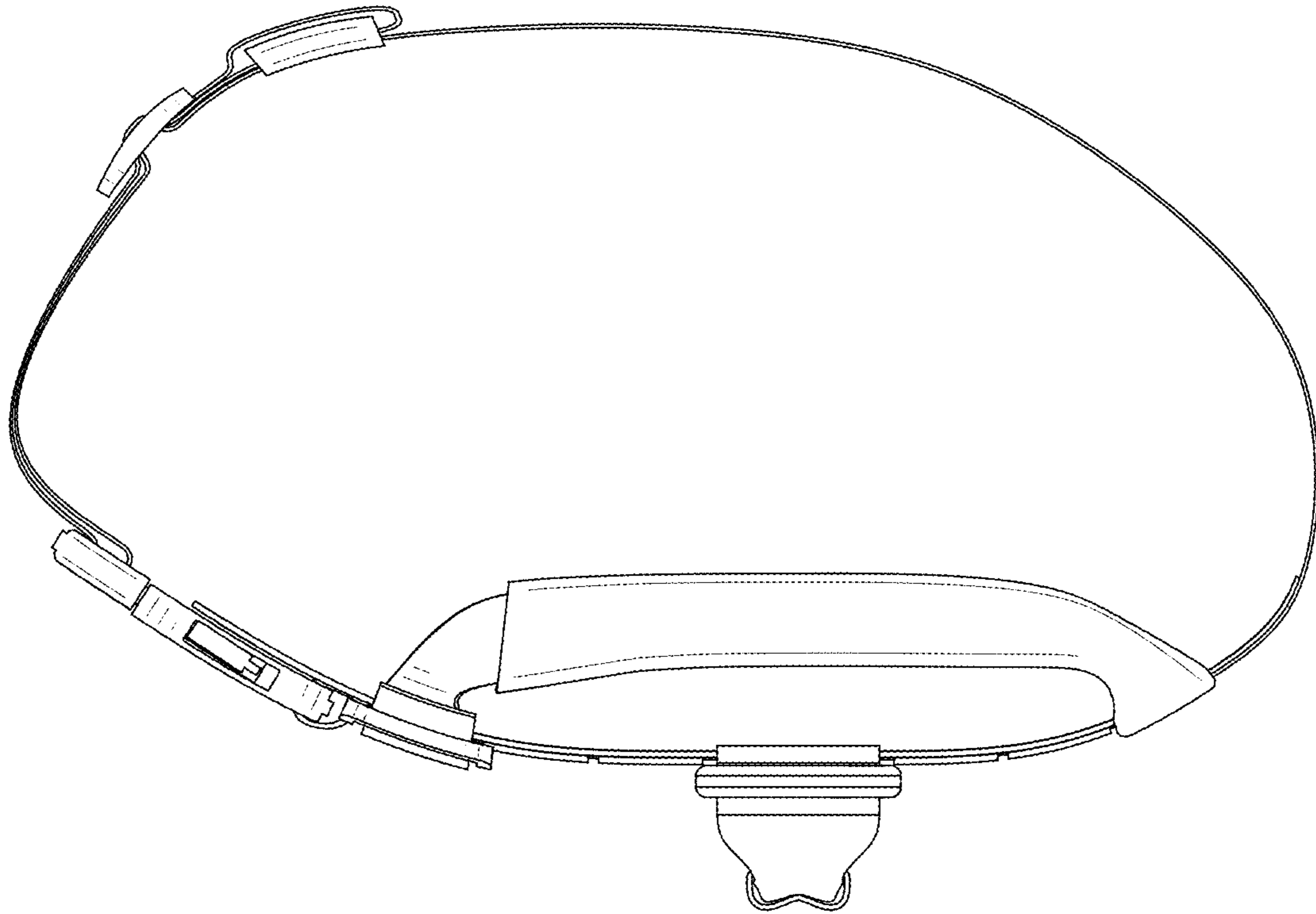


FIG. 7

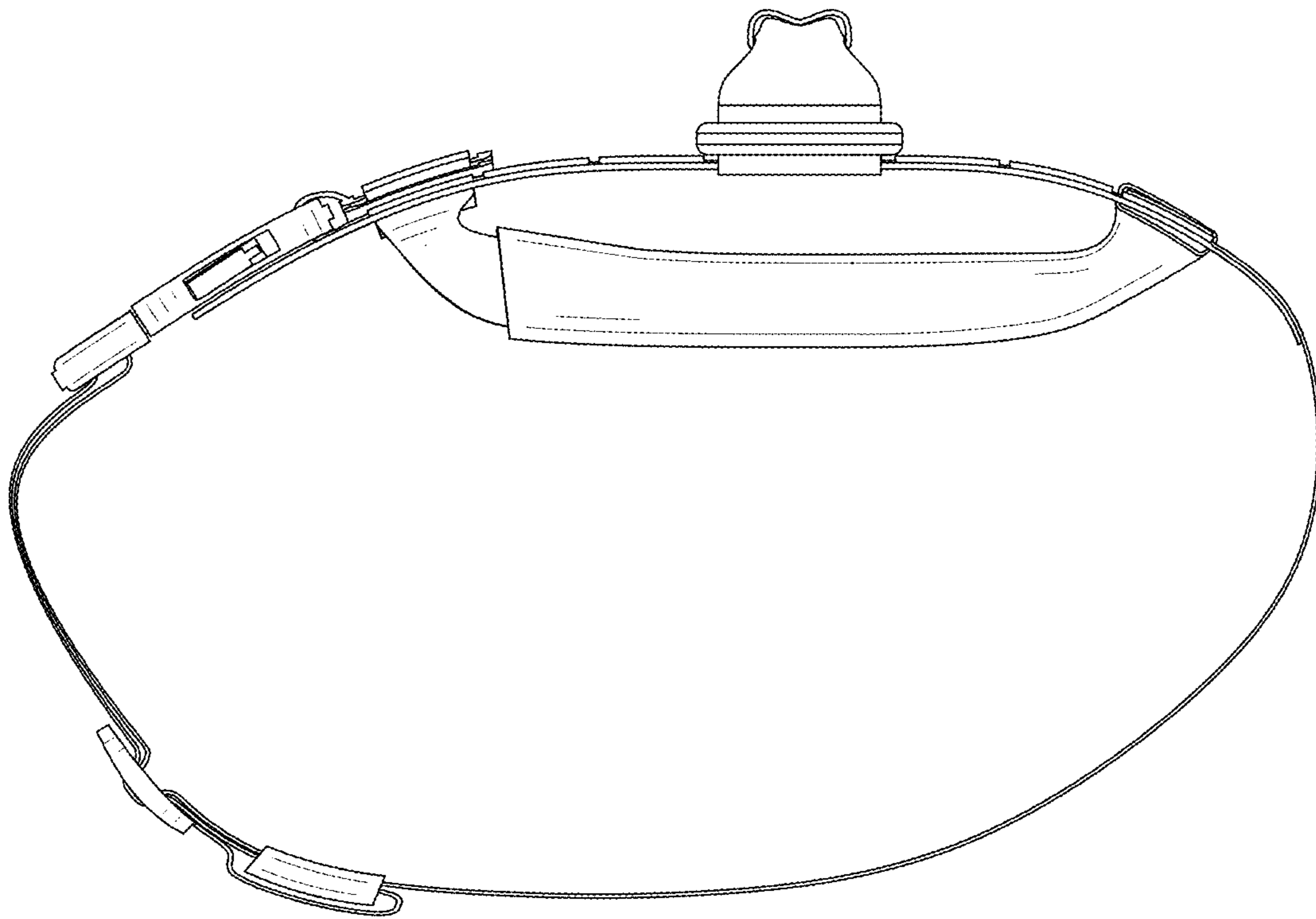


FIG. 8

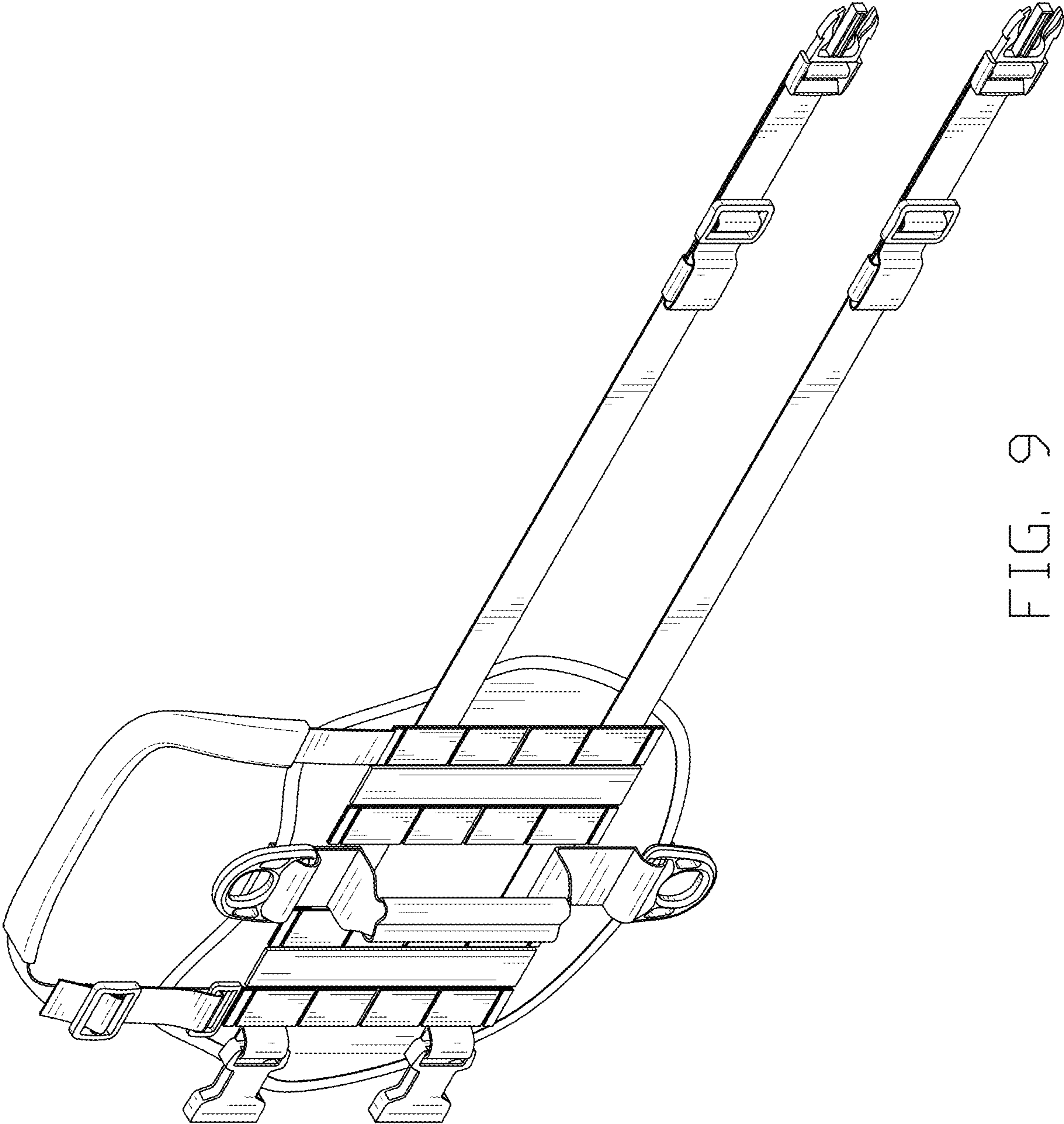


FIG. 9

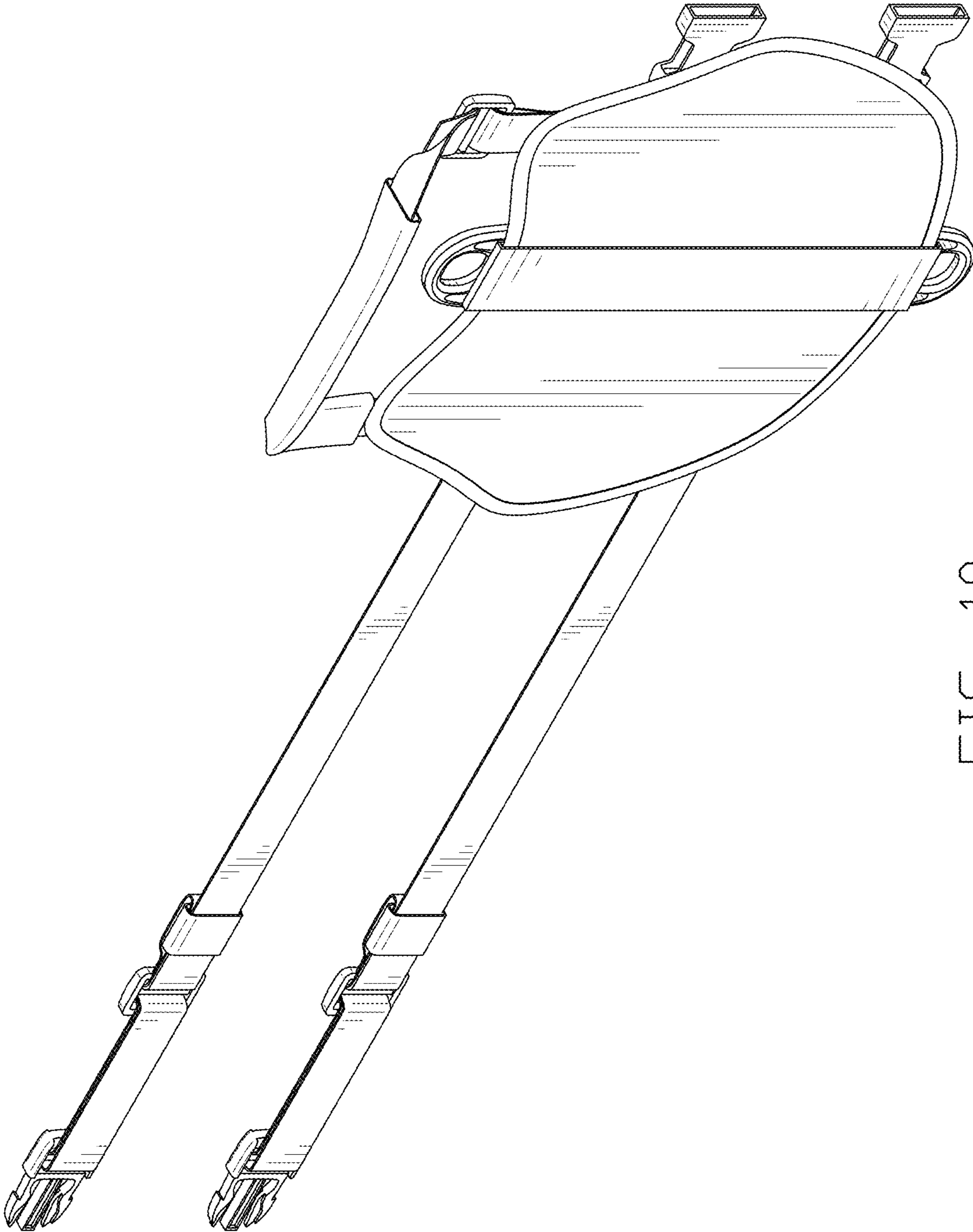


FIG. 10

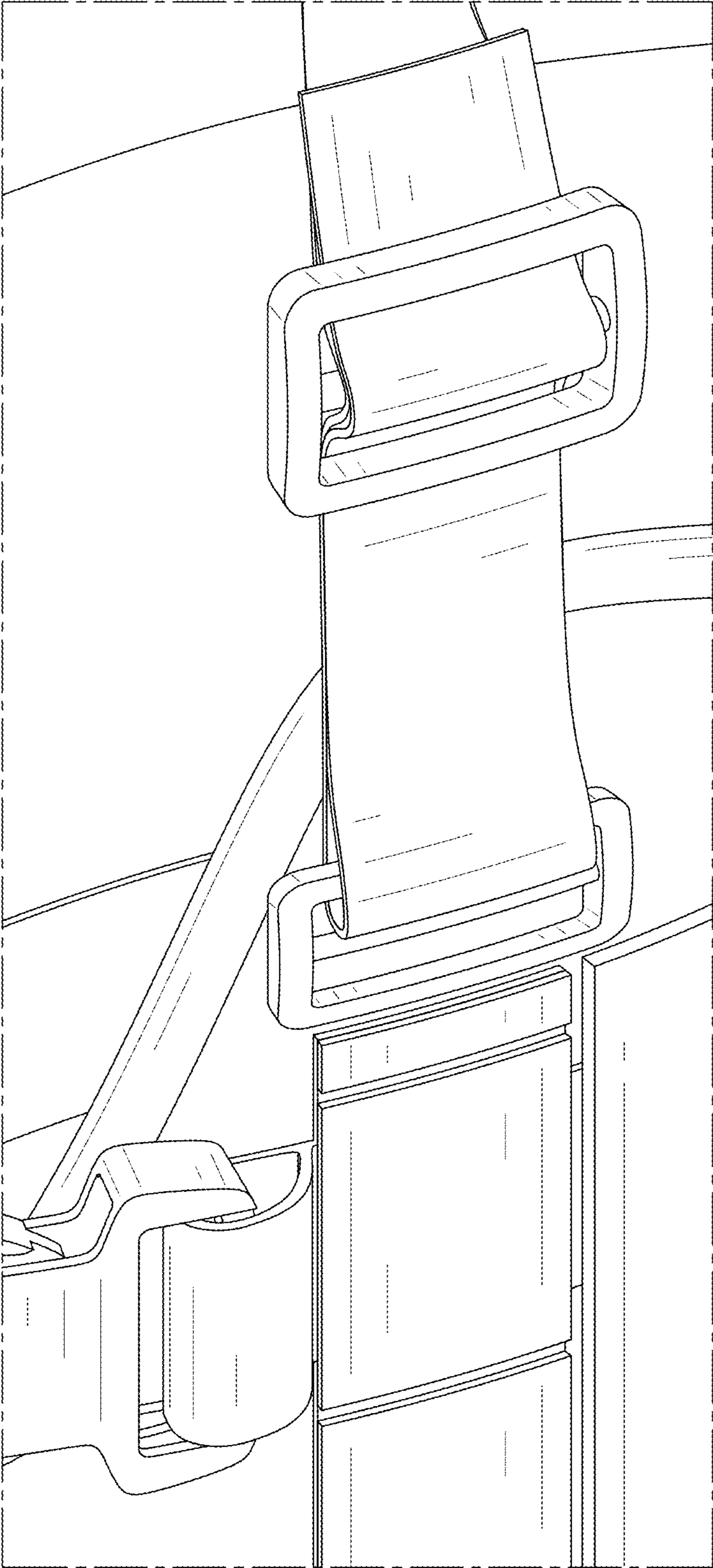


FIG. 11

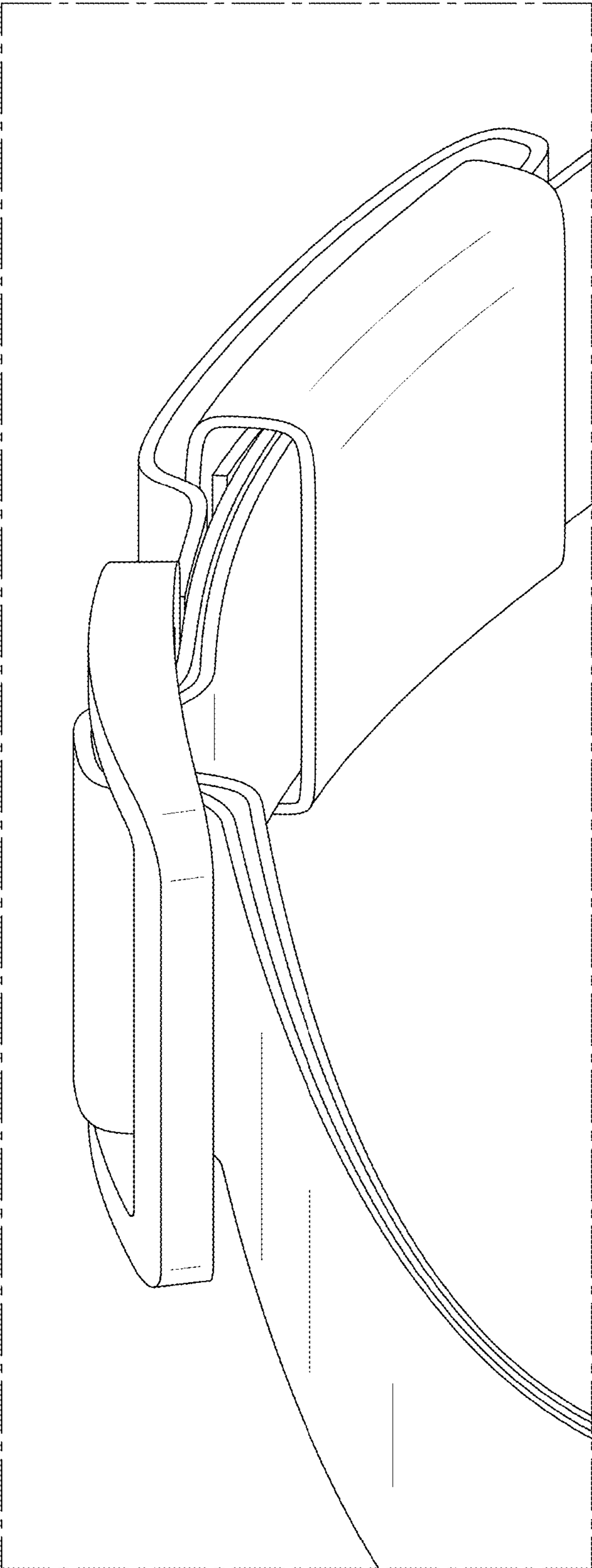


FIG. 12