



US00D886394S

(12) **United States Design Patent** (10) **Patent No.:** **US D886,394 S**  
**Dong** (45) **Date of Patent:** **\*\* Jun. 2, 2020**

(54) **ELECTRONIC TRAINING COLLAR**

(71) Applicant: **Fuliang Dong**, Shenzhen (CN)

(72) Inventor: **Fuliang Dong**, Shenzhen (CN)

(\*\*) Term: **15 Years**

(21) Appl. No.: **29/626,678**

(22) Filed: **Nov. 18, 2017**

(51) **LOC (12) Cl.** ..... **30-04**

(52) **U.S. Cl.**  
USPC ..... **D30/152; D30/199**

(58) **Field of Classification Search**  
USPC ..... D30/144, 151, 152, 155, 199;  
D10/104.1; D11/3, 26; D24/167, 200  
CPC .. A01K 15/021; A01K 27/009; A01K 15/022;  
A01K 27/001  
See application file for complete search history.

(56) **References Cited**

**U.S. PATENT DOCUMENTS**

3,983,483	A *	9/1976	Pando	.....	H01Q 1/273 455/90.2
D327,861	S *	7/1992	Davis	.....	D11/116
D336,055	S *	6/1993	Juliana	.....	D30/152
5,815,077	A *	9/1998	Christiansen	.....	A01K 15/021 119/712
D400,458	S *	11/1998	Titus	.....	D10/104.1
D410,206	S *	5/1999	Slater	.....	D10/104.1
5,934,225	A *	8/1999	Williams	.....	A01K 27/009 119/859

(Continued)

**OTHER PUBLICATIONS**

“Grope Anti Bark Collar.” Found online May 3, 2019 at [www.amazon.com](http://www.amazon.com). Page dated Jun. 6, 2018. Retrieved from URL: [https://www.amazon.com/Grope-Anti-Bark-Collar-Collar/dp/B07BXQTTKN/ref=sr\\_1\\_7?keywords=grope+anti+bark+collar&qid=1556983310&s=gateway&sr=8-7-spell](https://www.amazon.com/Grope-Anti-Bark-Collar-Collar/dp/B07BXQTTKN/ref=sr_1_7?keywords=grope+anti+bark+collar&qid=1556983310&s=gateway&sr=8-7-spell) (Year: 2018).\*

[www.amazon.com/Grope-Anti-Bark-Collar-Collar/dp/B07BXQTTKN/ref=sr\\_1\\_7?keywords=grope+anti+bark+collar&qid=1556983310&s=gateway&sr=8-7-spell](http://www.amazon.com/Grope-Anti-Bark-Collar-Collar/dp/B07BXQTTKN/ref=sr_1_7?keywords=grope+anti+bark+collar&qid=1556983310&s=gateway&sr=8-7-spell) (Year: 2018).\*

(Continued)

*Primary Examiner* — Mary Ann Calabrese

*Assistant Examiner* — Katelin G Kloberg

(74) *Attorney, Agent, or Firm* — W&K IP

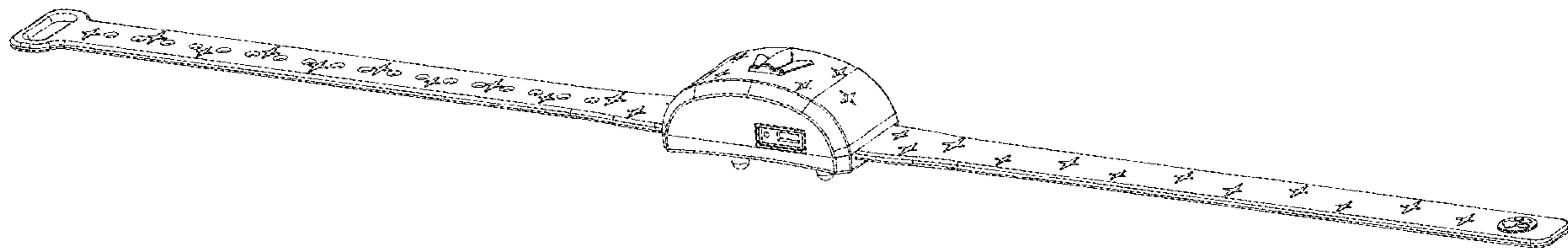
(57) **CLAIM**

The ornamental design for an electronic training collar, as shown and described.

**DESCRIPTION**

FIG.1 is a top, front, left side perspective view of an electronic training collar, showing my new design; FIG.2 is a bottom, front, right side perspective view thereof; FIG.3 is a front elevation view thereof; FIG.4 is a rear elevation view thereof; FIG.5 is a left side elevation view thereof; FIG.6 is a right side elevation view thereof; FIG.7 is a top plan view thereof; FIG.8 is a bottom plan view thereof; FIG.9 is an enlarged partial rear elevation view of the electronic training collar, taken from the showing in FIG.4; FIG.10 is an enlarged partial bottom plan view of the electronic training collar, taken from the showing in FIG.8; FIG.11 is an enlarged partial front elevation view of the electronic training collar, taken from the showing in FIG.3; FIG.12 is an enlarged partial top plan view of the electronic training collar, taken from the showing in FIG.7; FIG.13 is an enlarged partial perspective view of the electronic training collar, taken from the showing in FIG.1; FIG.14 is an enlarged left side elevation view thereof; and, FIG.15 is an enlarged right side perspective view thereof. The broken lines depict portions of the article that form no part of the claimed design.

**1 Claim, 15 Drawing Sheets**



(56)

References Cited

U.S. PATENT DOCUMENTS

7,021,247 B1 \* 4/2006 Seeno ..... A01K 15/02  
119/859  
D520,894 S \* 5/2006 Zakharyan ..... D30/199  
D522,187 S \* 5/2006 Nottingham ..... D30/152  
D597,436 S \* 8/2009 Bowdish ..... D11/4  
D597,676 S \* 8/2009 Copeland ..... D24/187  
D652,756 S \* 1/2012 Lans ..... D11/3  
D665,952 S \* 8/2012 Guo ..... D30/152  
D715,675 S \* 10/2014 Ma ..... D11/3  
D725,841 S \* 3/2015 So ..... D30/152  
D729,681 S \* 5/2015 Lee ..... D11/3  
9,332,812 B2 \* 5/2016 Ma ..... A44C 15/0015  
D763,455 S \* 8/2016 Hesse ..... D24/200  
D794,261 S \* 8/2017 Pulliam ..... D30/152  
D798,003 S \* 9/2017 Dong ..... D30/199  
D812,499 S \* 3/2018 Kuh ..... D10/70  
D818,350 S \* 5/2018 Dencek ..... D8/356  
D824,033 S \* 7/2018 Masuyama ..... D24/167  
D826,763 S \* 8/2018 Chuang ..... D11/3  
D831,645 S \* 10/2018 Wu ..... D14/344  
D846,747 S \* 4/2019 Lillquist ..... D24/186  
2007/0227465 A1 \* 10/2007 Gerig ..... A01K 15/021  
119/859

2010/0231391 A1 \* 9/2010 Dror ..... G01D 1/00  
340/573.3  
2010/0238033 A1 \* 9/2010 Blumel ..... A61B 5/1112  
340/573.4  
2013/0027207 A1 \* 1/2013 Goetzl ..... A01K 11/008  
340/573.3  
2018/0249680 A1 \* 9/2018 Van Curen ..... A01K 15/022

OTHER PUBLICATIONS

“Chauder Anti Bark Collar for Small Dog Large Dog.” Found online May 3, 2019 at [www.amazon.com](http://www.amazon.com). Product reviewed Jan. 11, 2019. Retrieved from URL: [https://www.amazon.com/CHAUDER-Anti-Collar-Small-Large/dp/B07DB3JRFF/ref=pd\\_rhf\\_dp\\_p\\_img\\_6?encoding=UTF8&psc=1&refRID=BG70A5XMYNFPY0S15DHJ](https://www.amazon.com/CHAUDER-Anti-Collar-Small-Large/dp/B07DB3JRFF/ref=pd_rhf_dp_p_img_6?encoding=UTF8&psc=1&refRID=BG70A5XMYNFPY0S15DHJ) (Year: 2019).\*

“A+ Trainer Bark Collar.” Found online May 3, 2019 at [www.amazon.com](http://www.amazon.com). Product reviewed Oct. 1, 2018. Retrieved from URL: [https://www.amazon.com/-/Sensitivity-Rechargeable-Waterproof-Vibration/dp/B07GXGM6QP/ref=pd\\_rhf\\_dp\\_p\\_img\\_5?encoding=UTF8&psc=1&refRID=BG70A5XMYNFPY0S15DHJ](https://www.amazon.com/-/Sensitivity-Rechargeable-Waterproof-Vibration/dp/B07GXGM6QP/ref=pd_rhf_dp_p_img_5?encoding=UTF8&psc=1&refRID=BG70A5XMYNFPY0S15DHJ) (Year: 2018).\*

\* cited by examiner

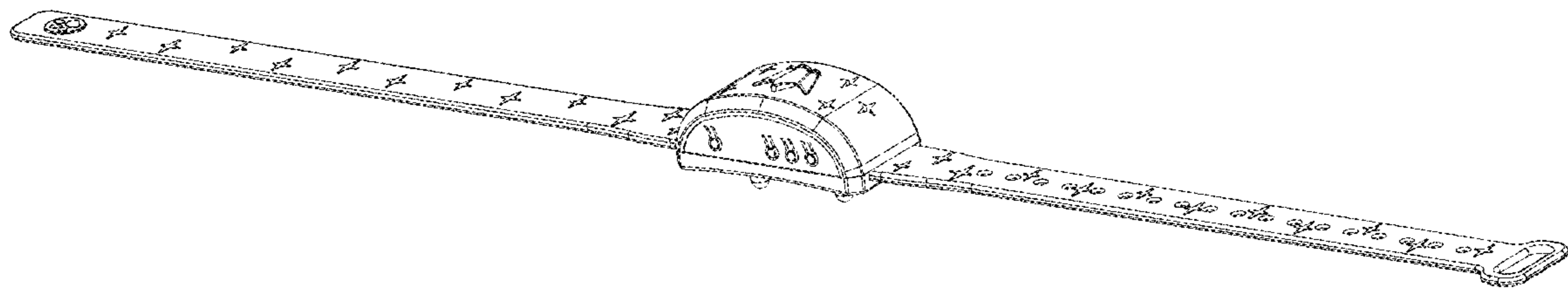


FIG.1

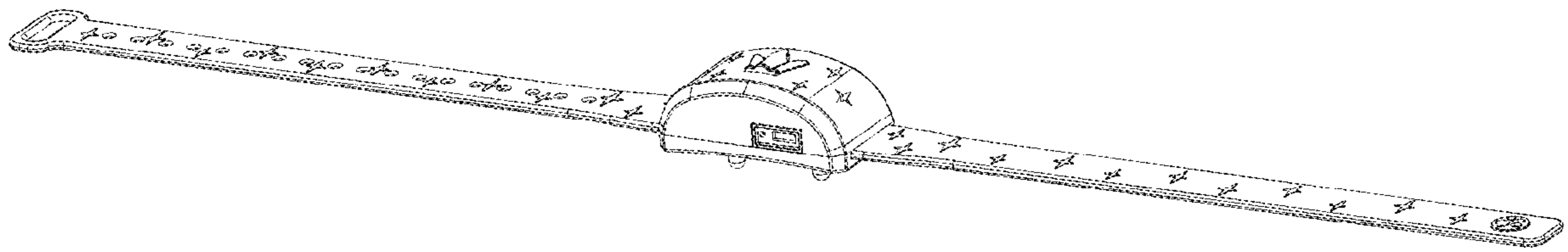


FIG. 2

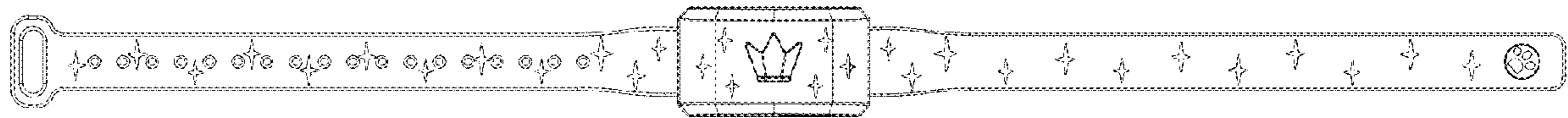


FIG. 3

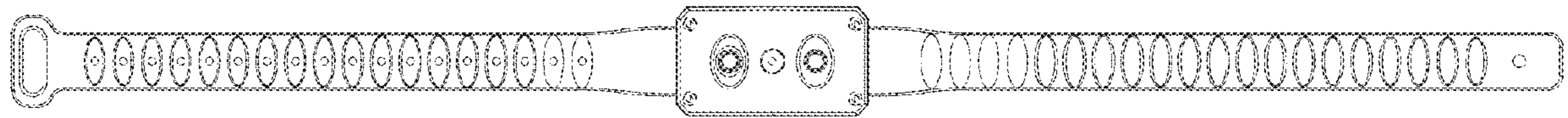


FIG. 4

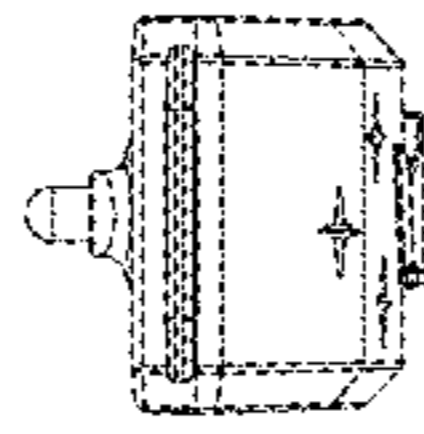


FIG. 5

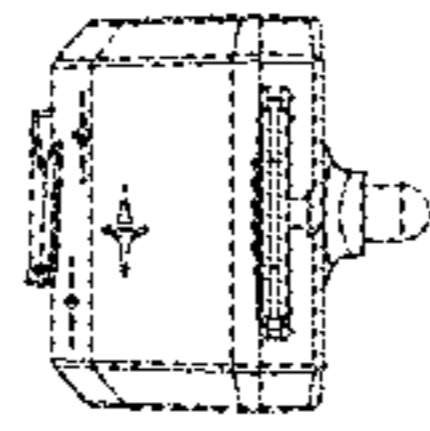


FIG. 6



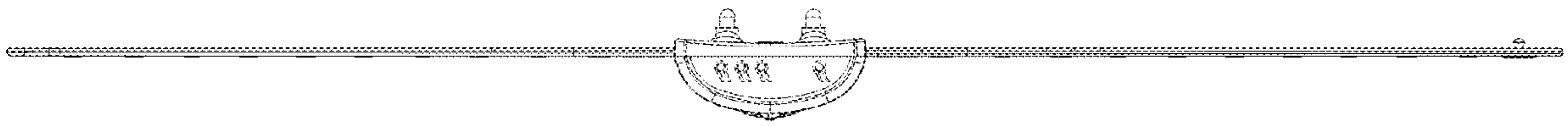


FIG. 7

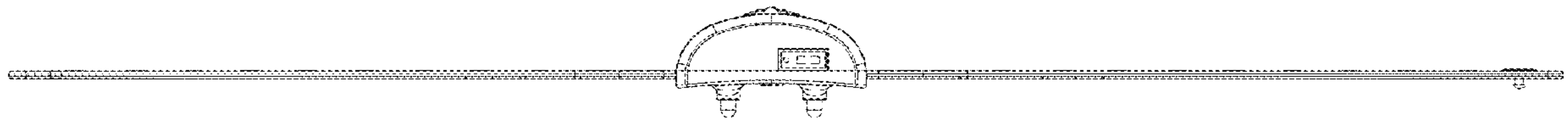


FIG.8

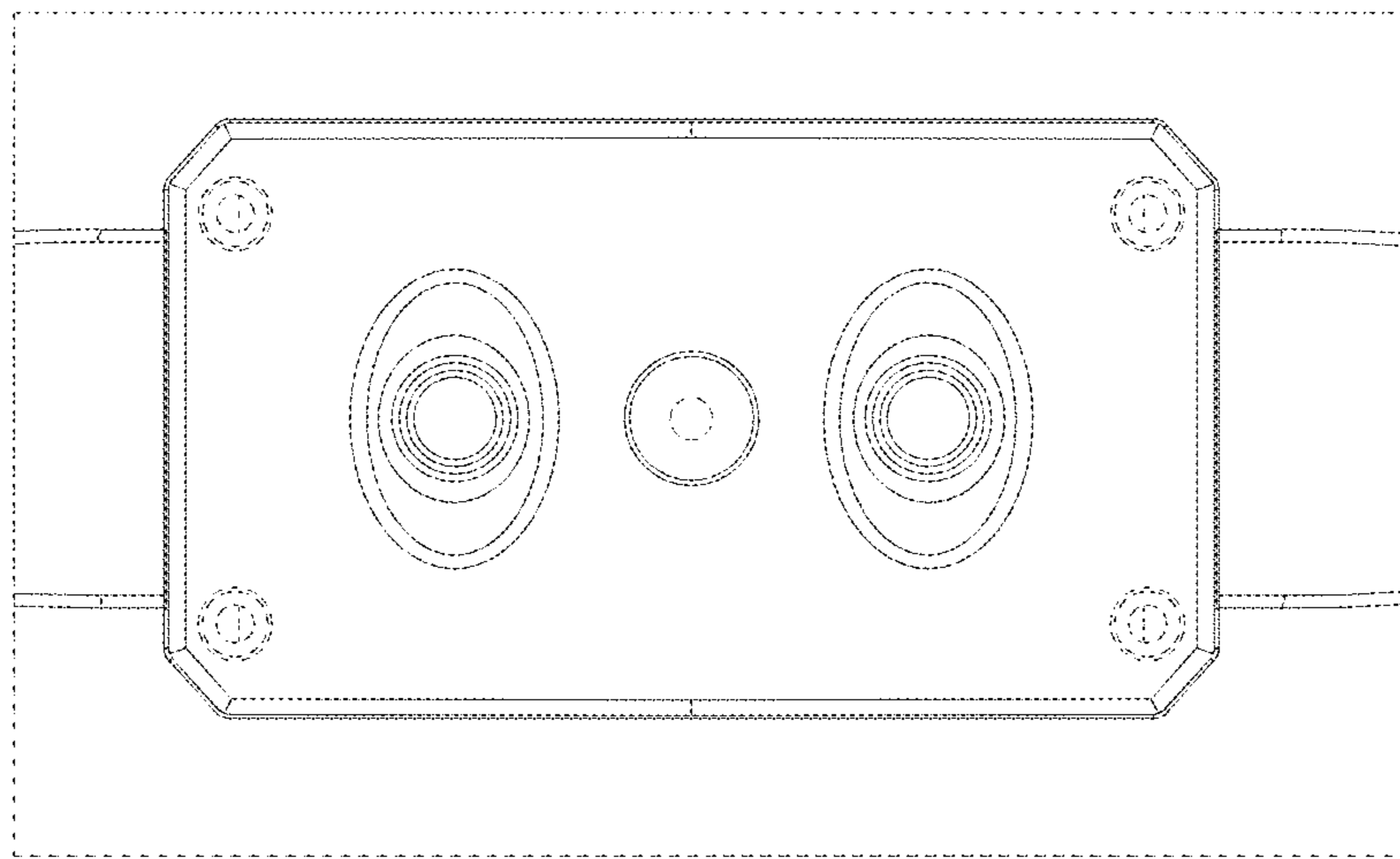


FIG. 9

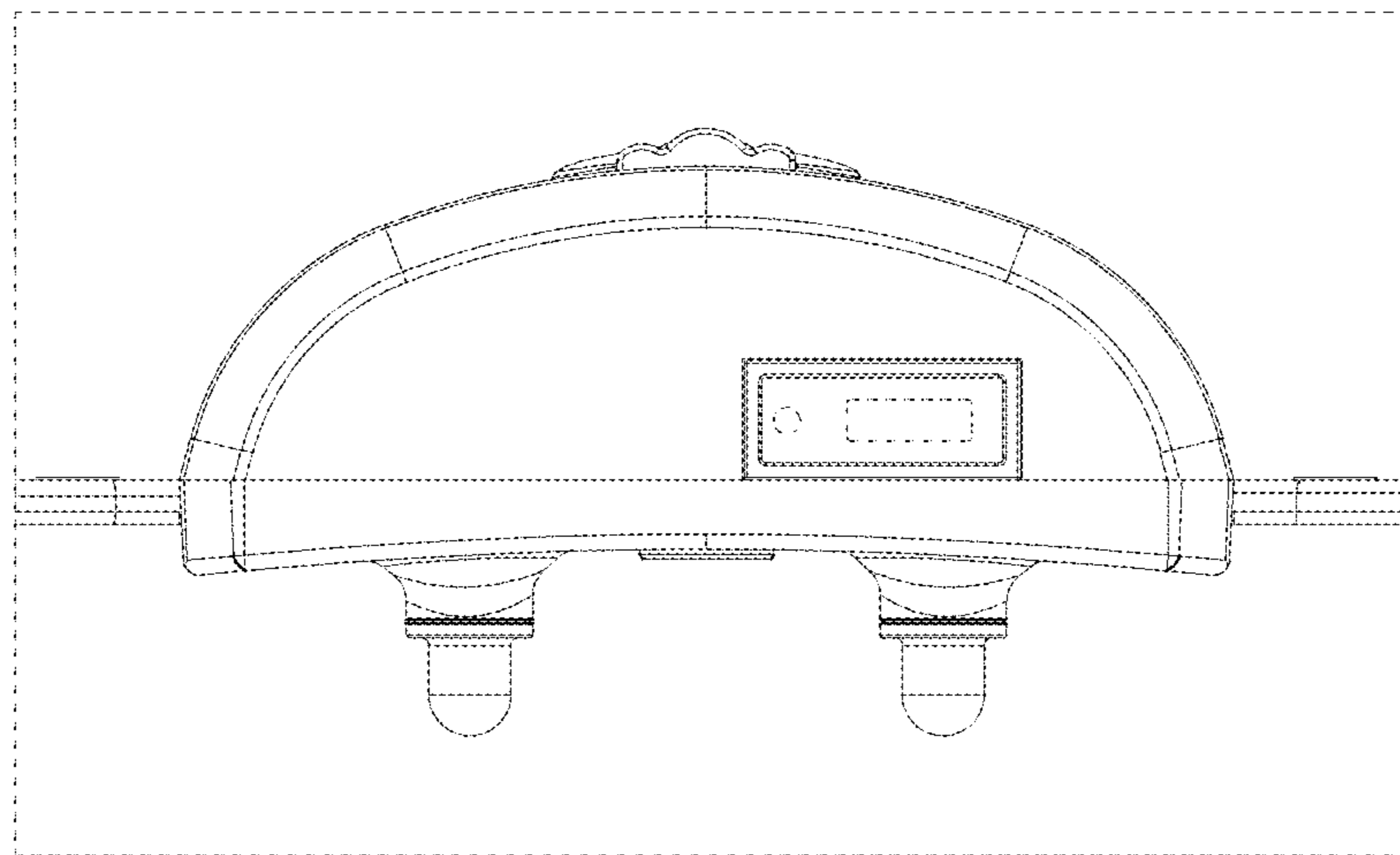


FIG.10

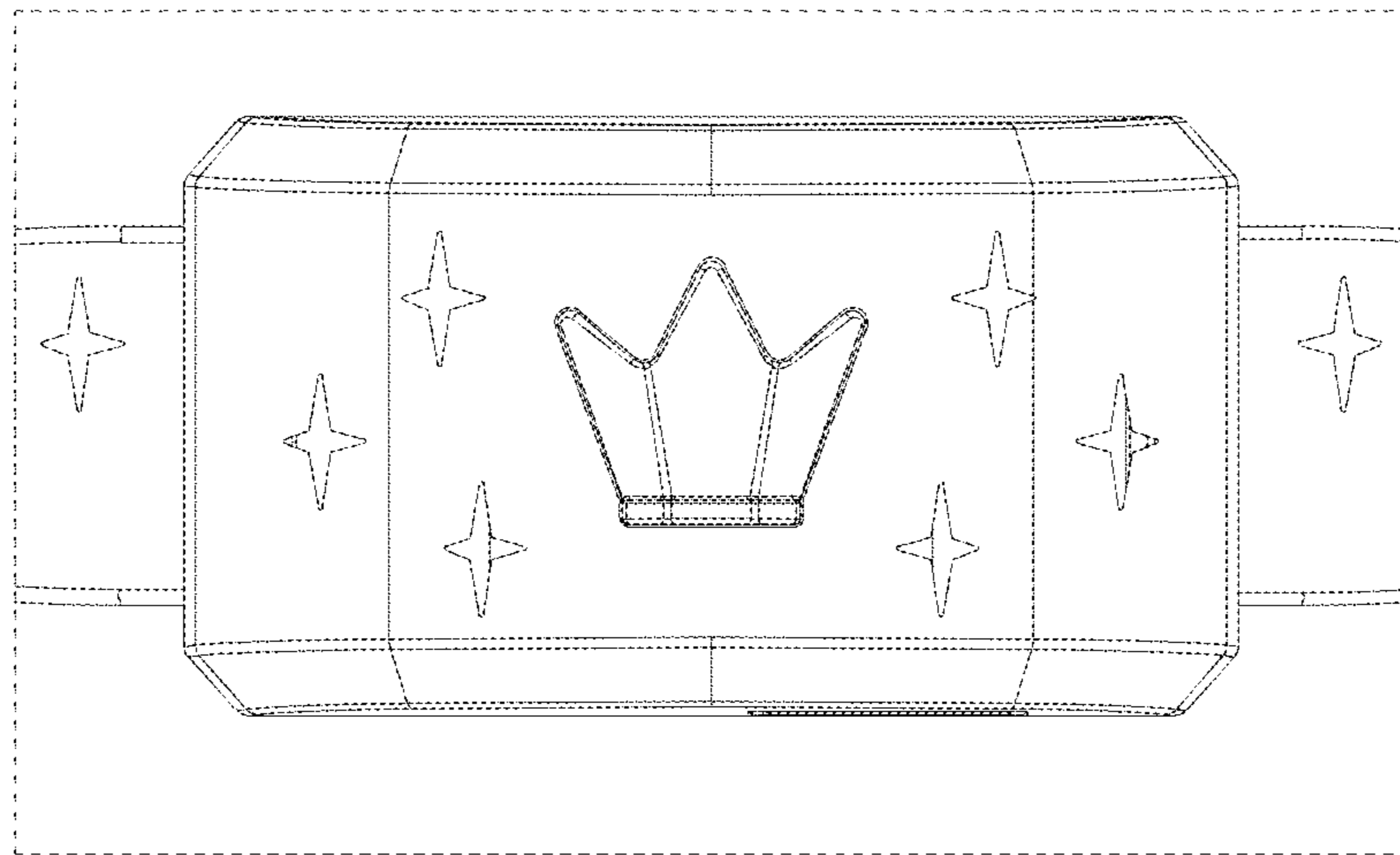


FIG. 11

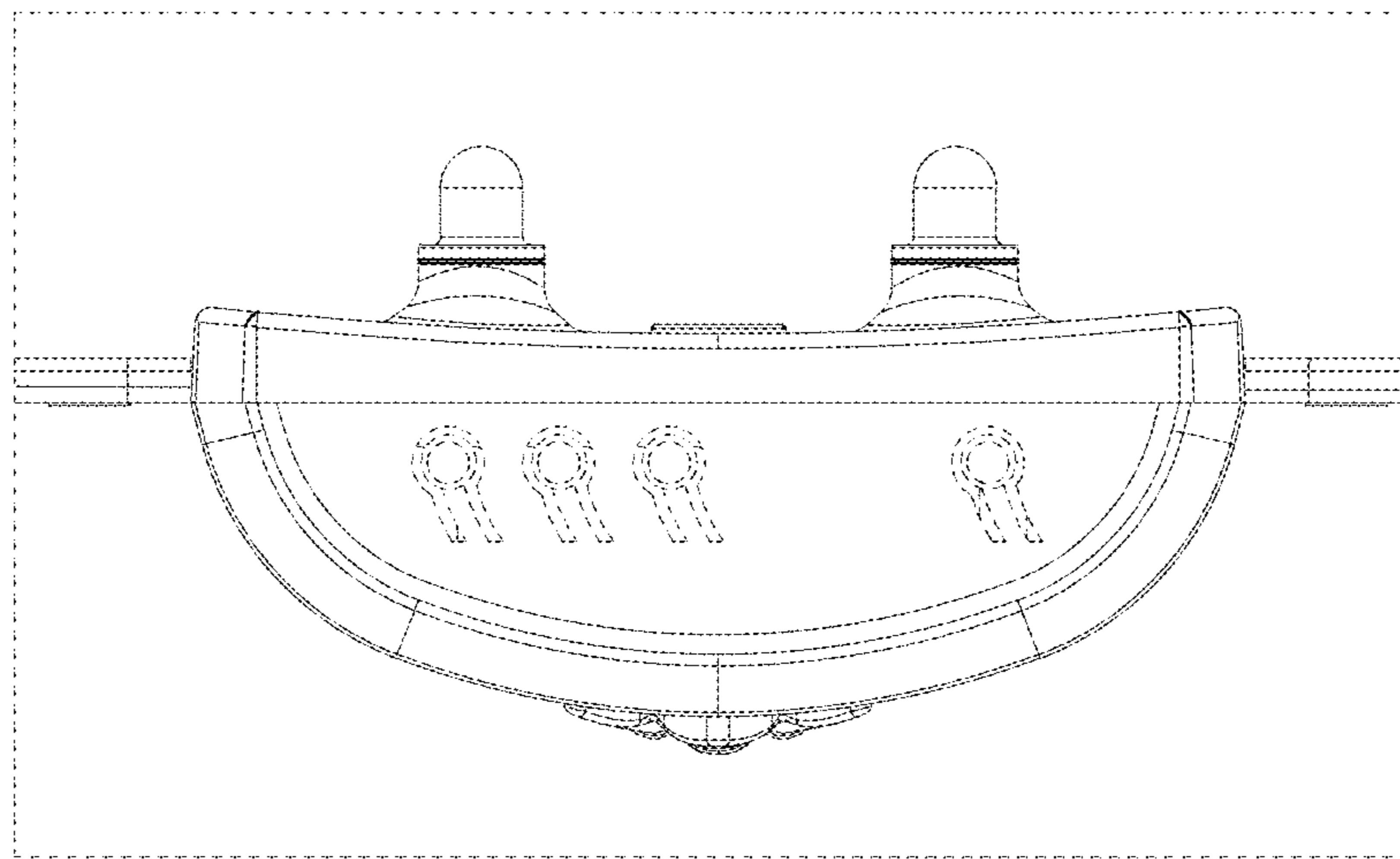


FIG.12

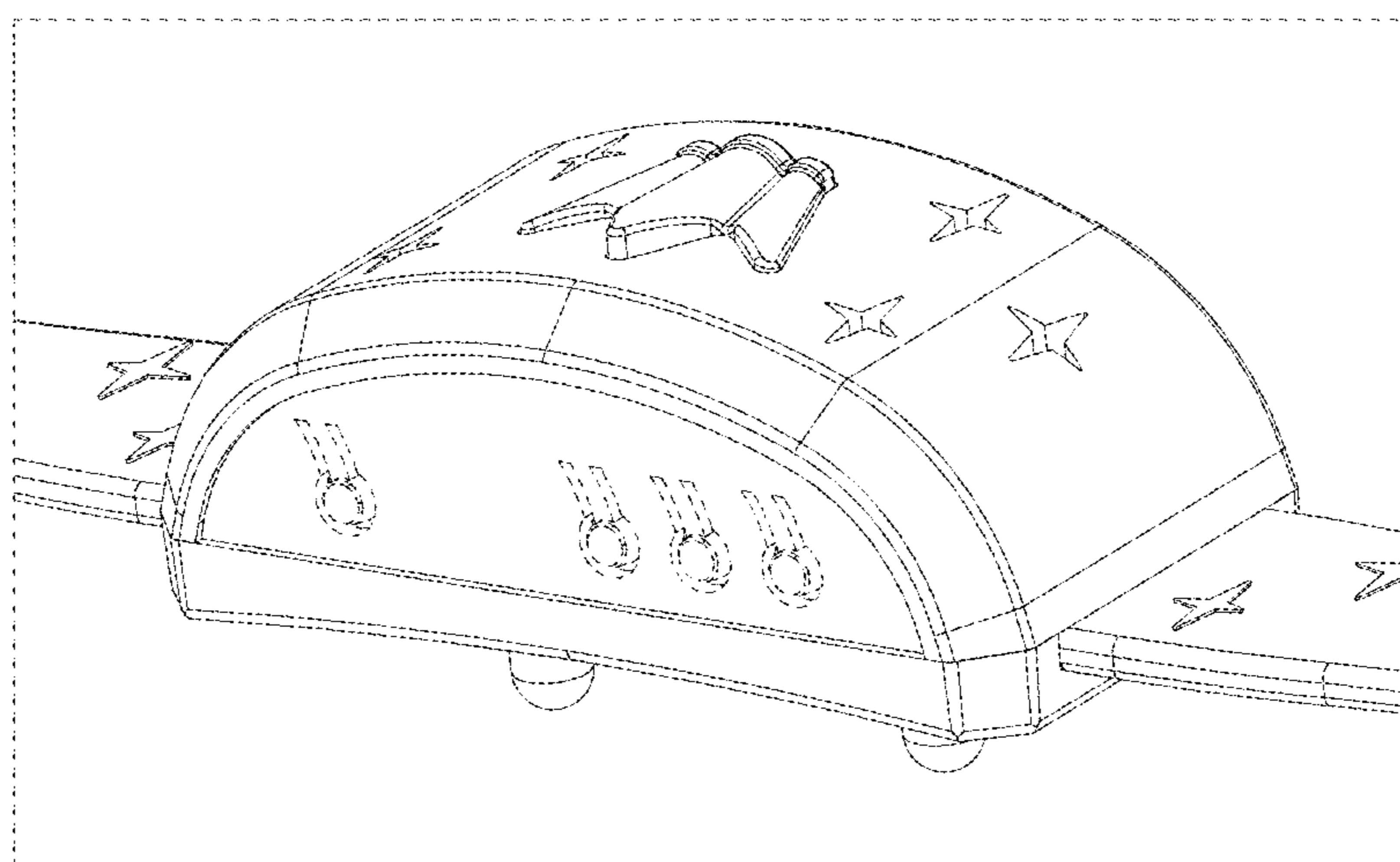


FIG.13

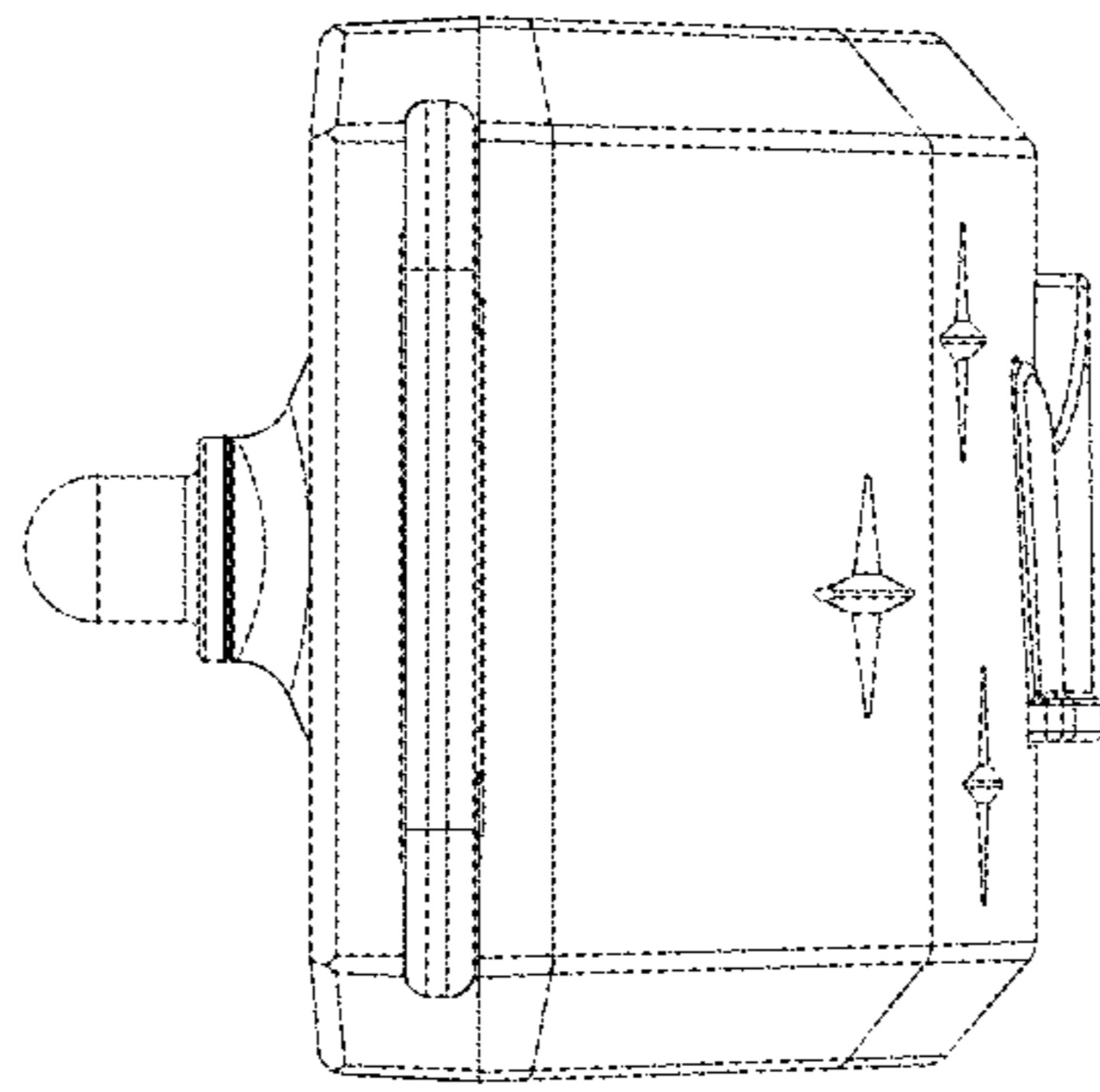


FIG.14



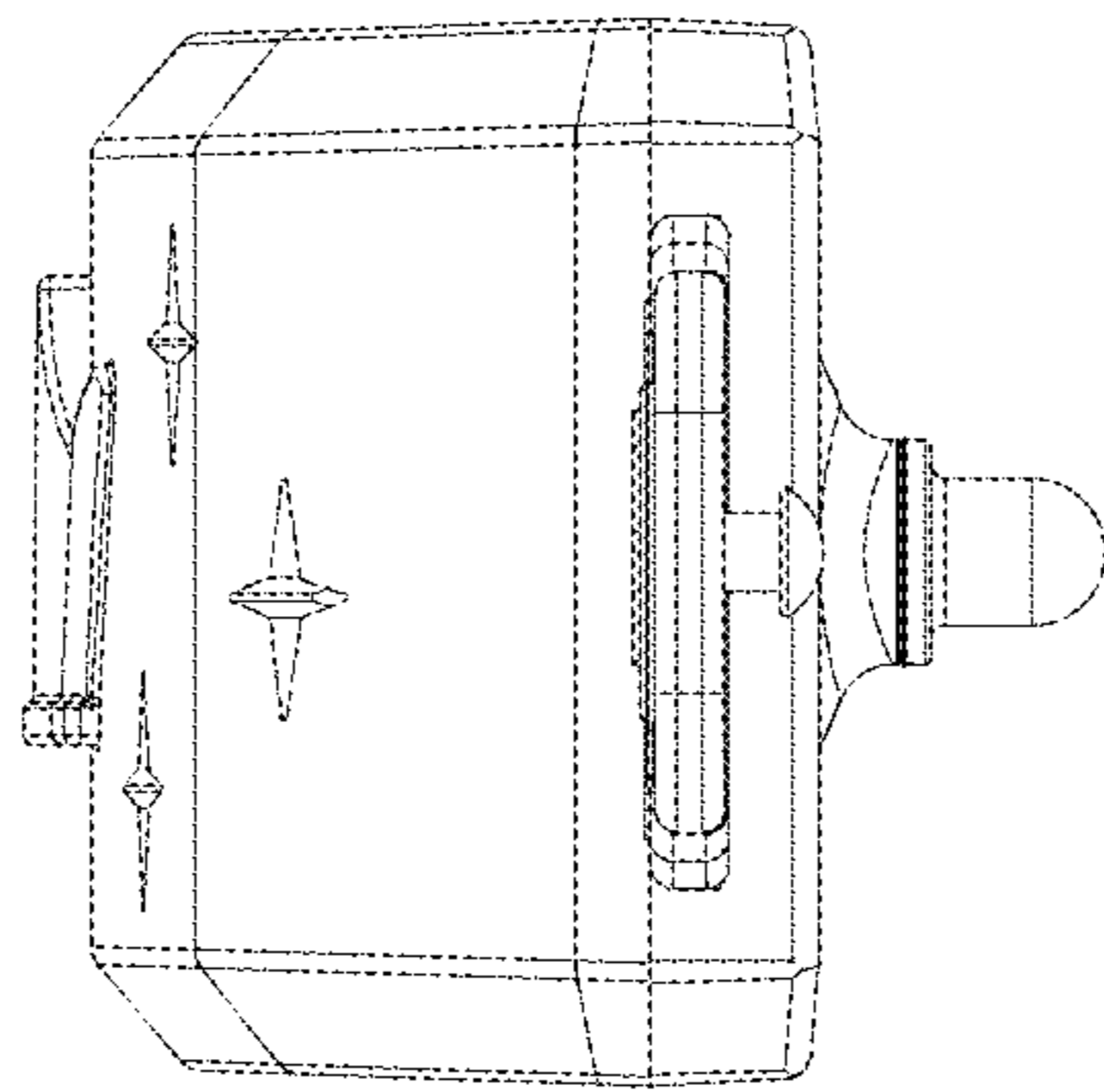


FIG.15