



US00D886391S

(12) **United States Design Patent** (10) **Patent No.:** **US D886,391 S**  
**Moritz et al.** (45) **Date of Patent:** **\*\* Jun. 2, 2020**

(54) **PROTECTIVE COLLAR FOR PET**

(71) Applicant: **TRACERAY OY**, Turku (FI)

(72) Inventors: **Niko Moritz**, Turku (FI); **Yulia Kulkova**, Turku (FI)

(73) Assignee: **TRACERAY OY**, Turku (FI)

(\*\*) Term: **15 Years**

(21) Appl. No.: **29/643,721**

(22) Filed: **Apr. 11, 2018**

(30) **Foreign Application Priority Data**

Oct. 12, 2017 (EM) ..... 004396786-0002

(51) **LOC (12) Cl.** ..... **30-01**

(52) **U.S. Cl.**  
USPC ..... **D30/144**

(58) **Field of Classification Search**  
USPC ..... D2/877; D6/601; D24/199; D29/109,  
D29/120.1; D30/121, 133, 144, 145, 152,  
D30/199

CPC ..... A01K 13/006; A01K 27/001  
See application file for complete search history.

(56) **References Cited**

**U.S. PATENT DOCUMENTS**

2,111,844 A \* 3/1938 Davidson ..... F21V 1/00  
362/359  
D111,496 S \* 9/1938 Marks ..... D2/877  
D121,538 S \* 7/1940 Bressler ..... D2/877  
D132,981 S \* 7/1942 Solash ..... D2/877  
D133,564 S \* 8/1942 Horowitz ..... D2/877  
D157,252 S \* 2/1950 Goldberg ..... D30/152  
3,013,530 A \* 12/1961 Zeman ..... A01K 15/006  
119/815  
3,036,554 A \* 5/1962 Johnson ..... A01K 13/006  
119/821  
3,343,774 A \* 9/1967 Pryor ..... A47K 5/03  
248/346.11

D208,901 S \* 10/1967 Urban ..... D29/109  
4,200,057 A \* 4/1980 Agar ..... A01K 15/006  
119/815  
D296,496 S \* 7/1988 Kang ..... D2/877  
D347,694 S \* 6/1994 Forgas ..... D2/861  
(Continued)

**OTHER PUBLICATIONS**

“TraceRay Post-operative Care—Charlie Collar.” Found online Sep. 23, 2019 at traceray.com. Page archived Apr. 7, 2018. Retrieved from URL: <https://web.archive.org/web/20180407115413/http://traceray.com:80/> (Year: 2018).\*

(Continued)

*Primary Examiner* — Mary Ann Calabrese  
*Assistant Examiner* — Katelin G Kloberg  
(74) *Attorney, Agent, or Firm* — Nixon & Vanderhye PC

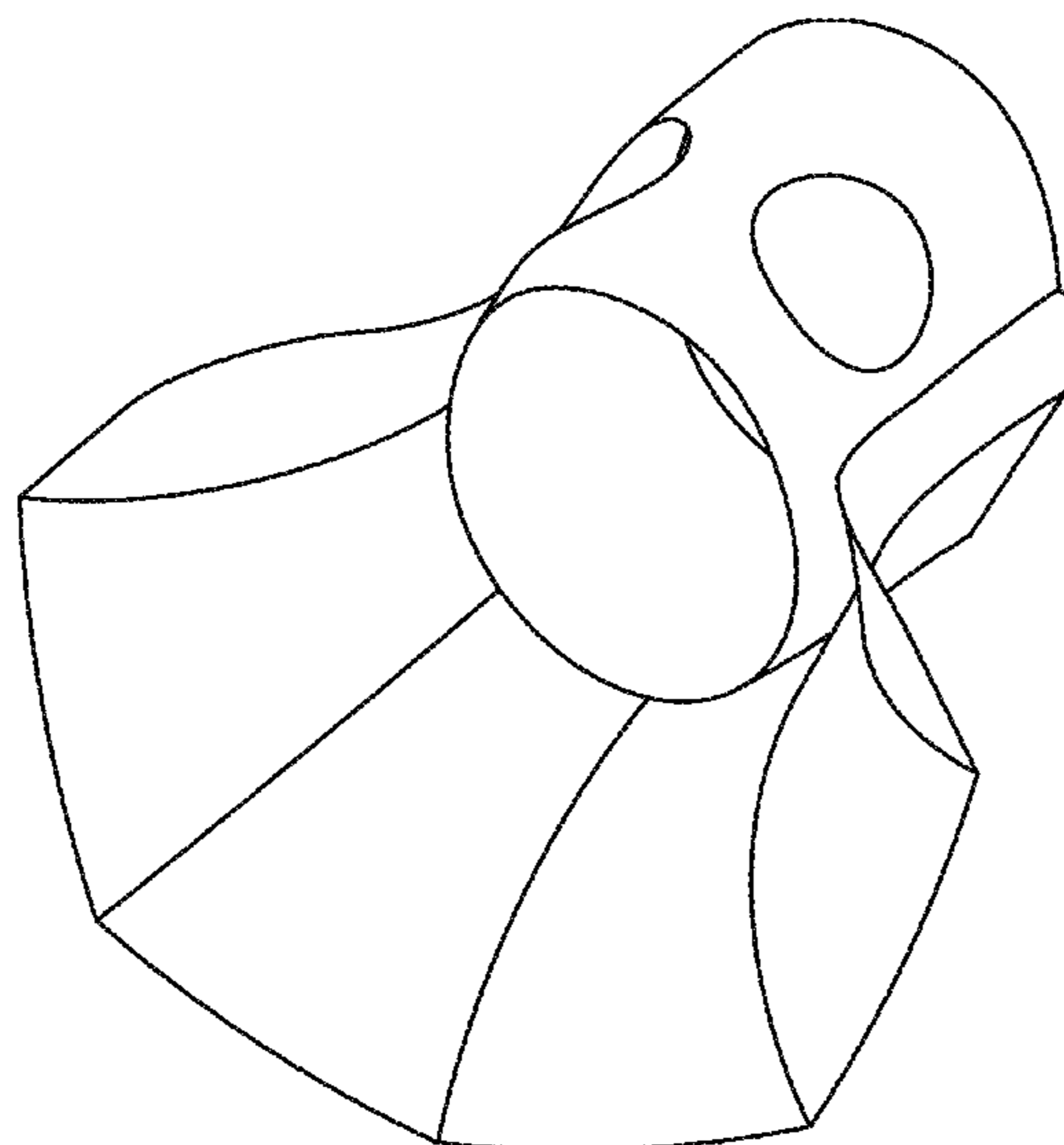
(57) **CLAIM**

The ornamental design for a protective collar for pet, as shown and described.

**DESCRIPTION**

FIG. 1 is a front perspective view of a protective collar for pet, showing our new design;  
FIG. 2 is a rear perspective view thereof;  
FIG. 3 is a front elevation view thereof;  
FIG. 4 is a right side view thereof;  
FIG. 5 is a bottom plan view thereof;  
FIG. 6 is a top plan view thereof;  
FIG. 7 is a rear perspective view, shown in a collapsed configuration;  
FIG. 8 is a front perspective view, shown within an environment of use; and,  
FIG. 9 is a right side elevation view thereof.  
In FIGS. 8 and 9, the broken lines depict environmental subject matter that forms no part of the claimed design.

**1 Claim, 9 Drawing Sheets**



(56)

**References Cited**

U.S. PATENT DOCUMENTS

5,628,283 A \* 5/1997 Huegelmeyer ..... A01K 13/006  
119/815  
D382,800 S \* 8/1997 Dederling ..... D24/199  
D436,929 S \* 1/2001 Kane ..... D13/156  
6,283,126 B1 \* 9/2001 Jessen ..... A61F 5/37  
128/878  
D475,817 S \* 6/2003 Heyek ..... D1/118  
D506,296 S \* 6/2005 Driver ..... 119/815  
D632,851 S \* 2/2011 Maroney ..... D30/145  
D656,812 S \* 4/2012 Bucci ..... D8/354  
8,286,593 B2 \* 10/2012 Albers ..... A61D 9/00  
119/815  
D673,739 S \* 1/2013 Herrera ..... D30/145  
D711,050 S \* 8/2014 Ebrahimi ..... D29/120.1  
D757,372 S \* 5/2016 Clinton ..... D30/121  
9,427,288 B1 \* 8/2016 Chenger ..... A61B 90/05  
9,585,365 B1 \* 3/2017 Gibson ..... A01K 13/006  
9,642,337 B2 \* 5/2017 Lippincott ..... A61D 9/00  
D850,223 S \* 6/2019 Leibman ..... D7/700  
2009/0090307 A1 \* 4/2009 Heister ..... A01K 13/006  
119/821  
2010/0024745 A1 \* 2/2010 Harlow ..... A01K 13/006  
119/856

2012/0325163 A1 \* 12/2012 Markfield ..... A01K 13/006  
119/855  
2013/0074784 A1 \* 3/2013 Briggs ..... A61D 9/00  
119/815  
2015/0053147 A1 \* 2/2015 Lippincott ..... A61D 9/00  
119/821  
2018/0077901 A1 \* 3/2018 Hallquist ..... A01K 27/001

OTHER PUBLICATIONS

“2017 Best Dog Cone Alternatives.” Found online Sep. 23, 2019 at [www.whole-dog-journal.com](http://www.whole-dog-journal.com). Page dated Jun. 16, 2017. Retrieved from URL: <https://www.whole-dog-journal.com/health/2017-best-dog-cone-alternatives/> (Year: 2017).\*

“Optivisor & Novoguard: Two more Alternatives to Elizabethan Collar!” Found online Sep. 23, 2019 at [petprojectblog.com](http://petprojectblog.com). Page dated Jul. 30, 2008. Retrieved from URL: <https://petprojectblog.com/archives/cats/optivisor-novoguard-two-more-alternatives-to-elizabethan-collar/> (Year: 2008).\*

“The Original Comfy Cone.” Found online Sep. 23, 2019 at [www.amazon.com](http://www.amazon.com). Product reviewed Jan. 9, 2016. Retrieved from URL: <https://petprojectblog.com/archives/cats/optivisor-novoguard-two-more-alternatives-to-elizabethan-collar/> (Year: 2016).\*

Design U.S. Appl. No. 29/643,717, filed Apr. 11, 2018, Moritz et al.

\* cited by examiner

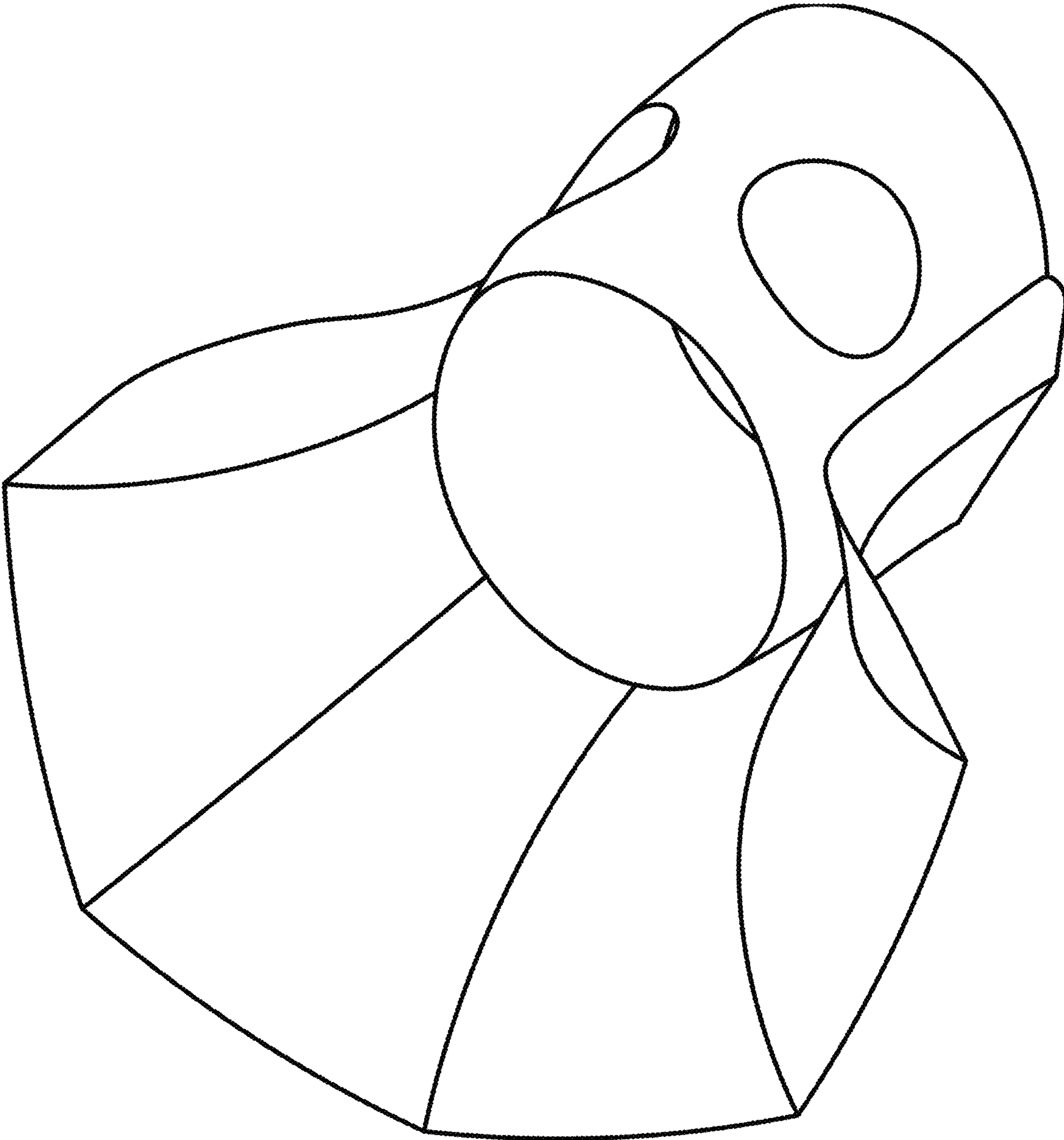


FIG. 1

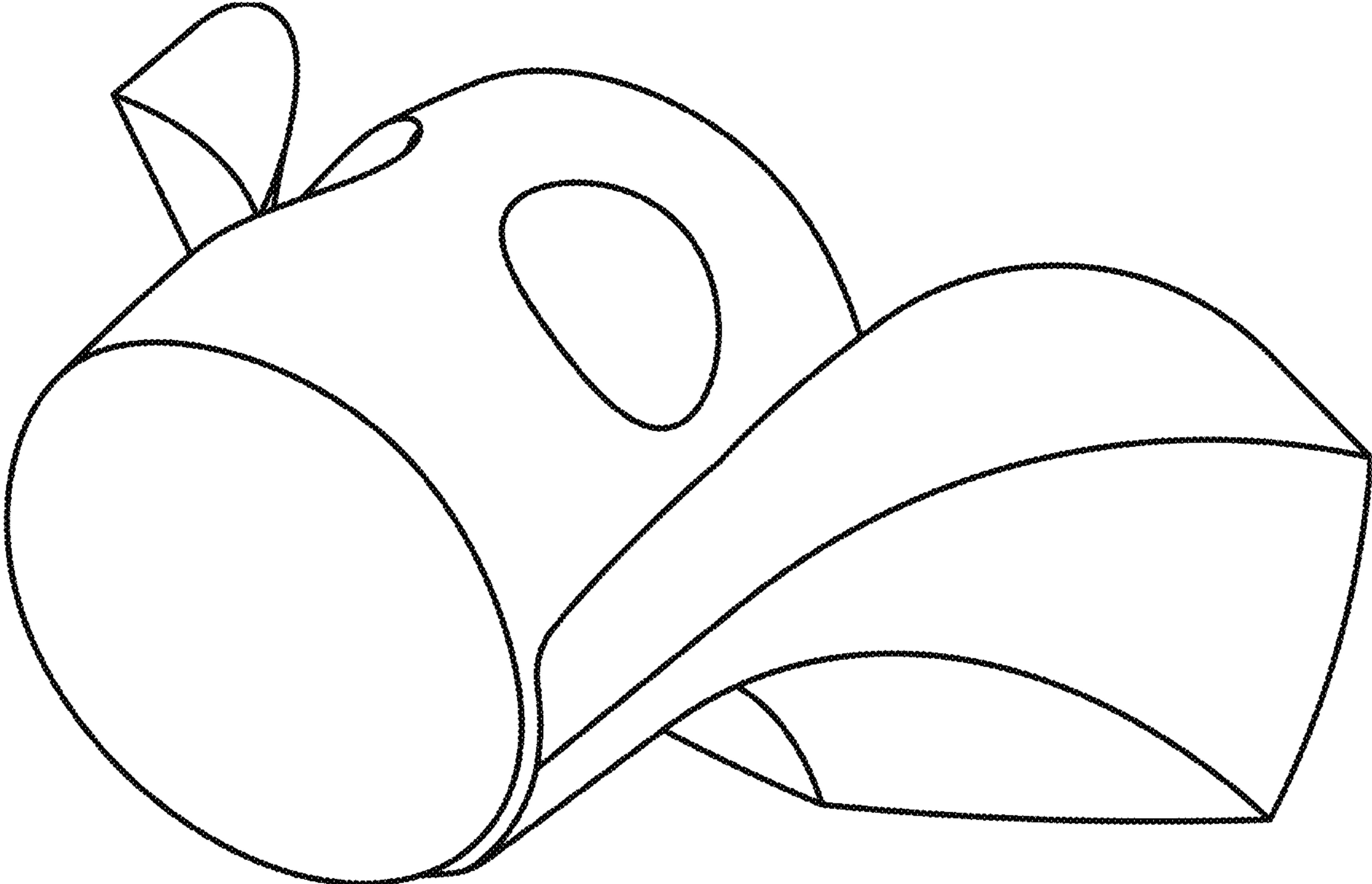


FIG. 2

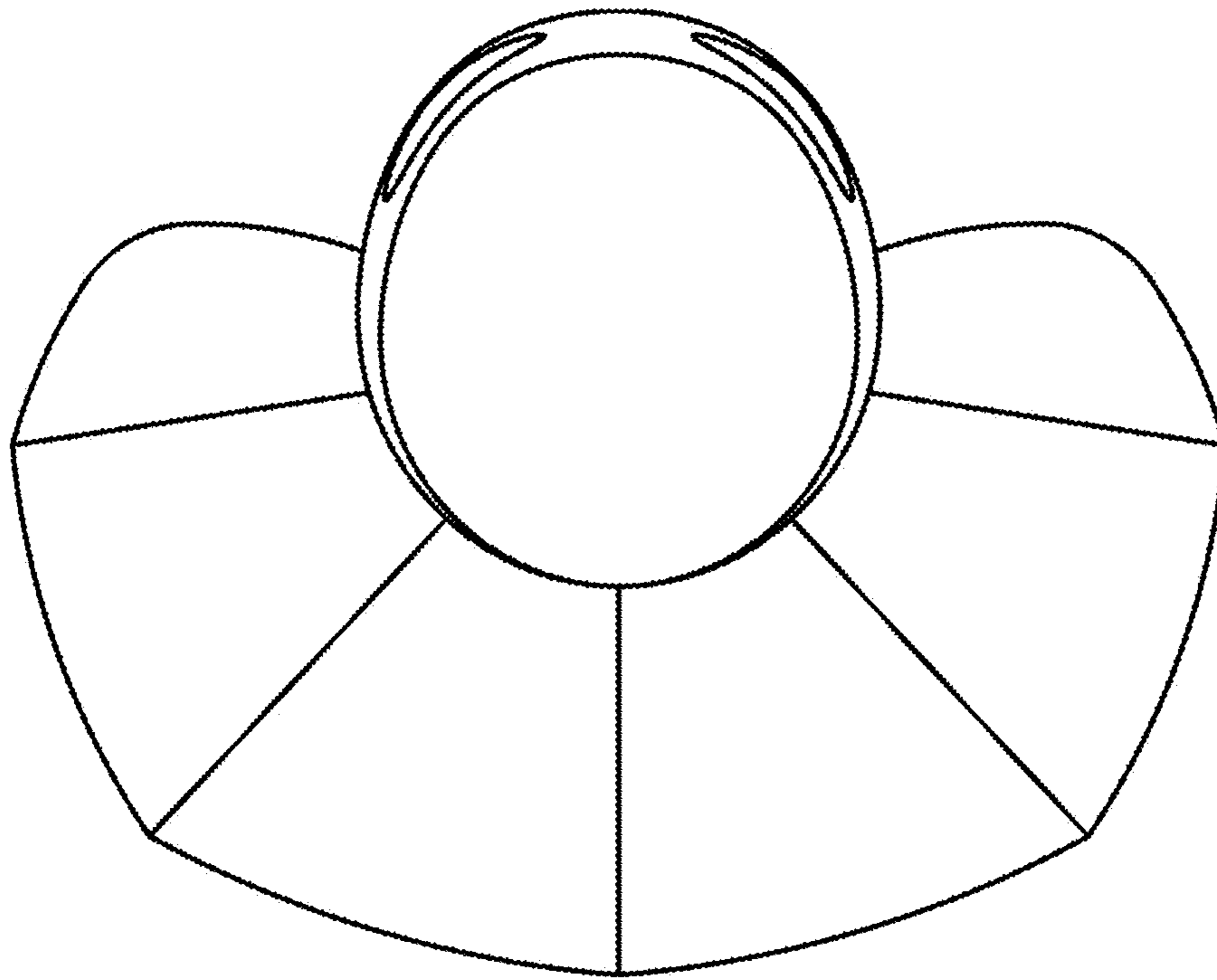


FIG. 3

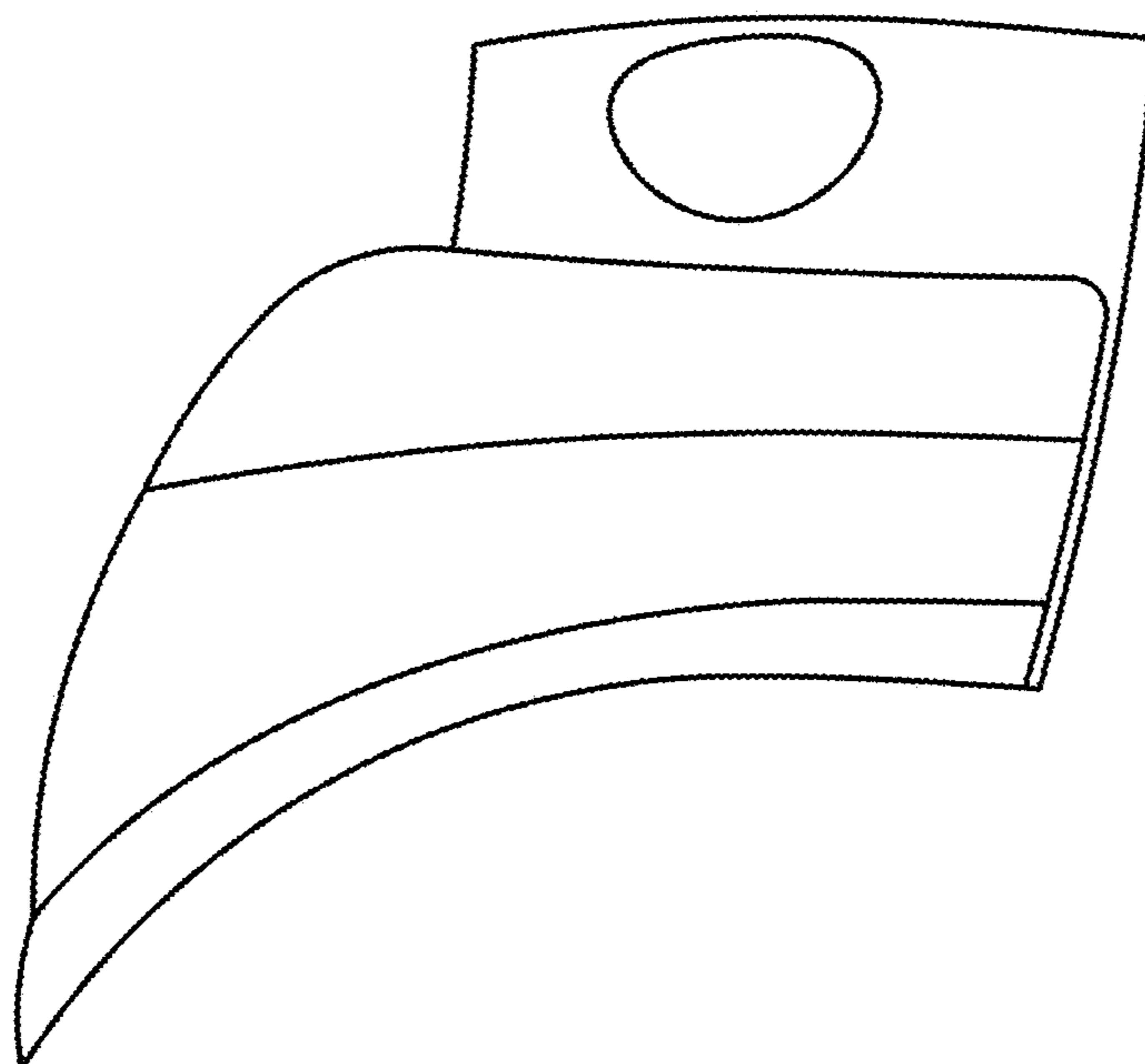


FIG. 4

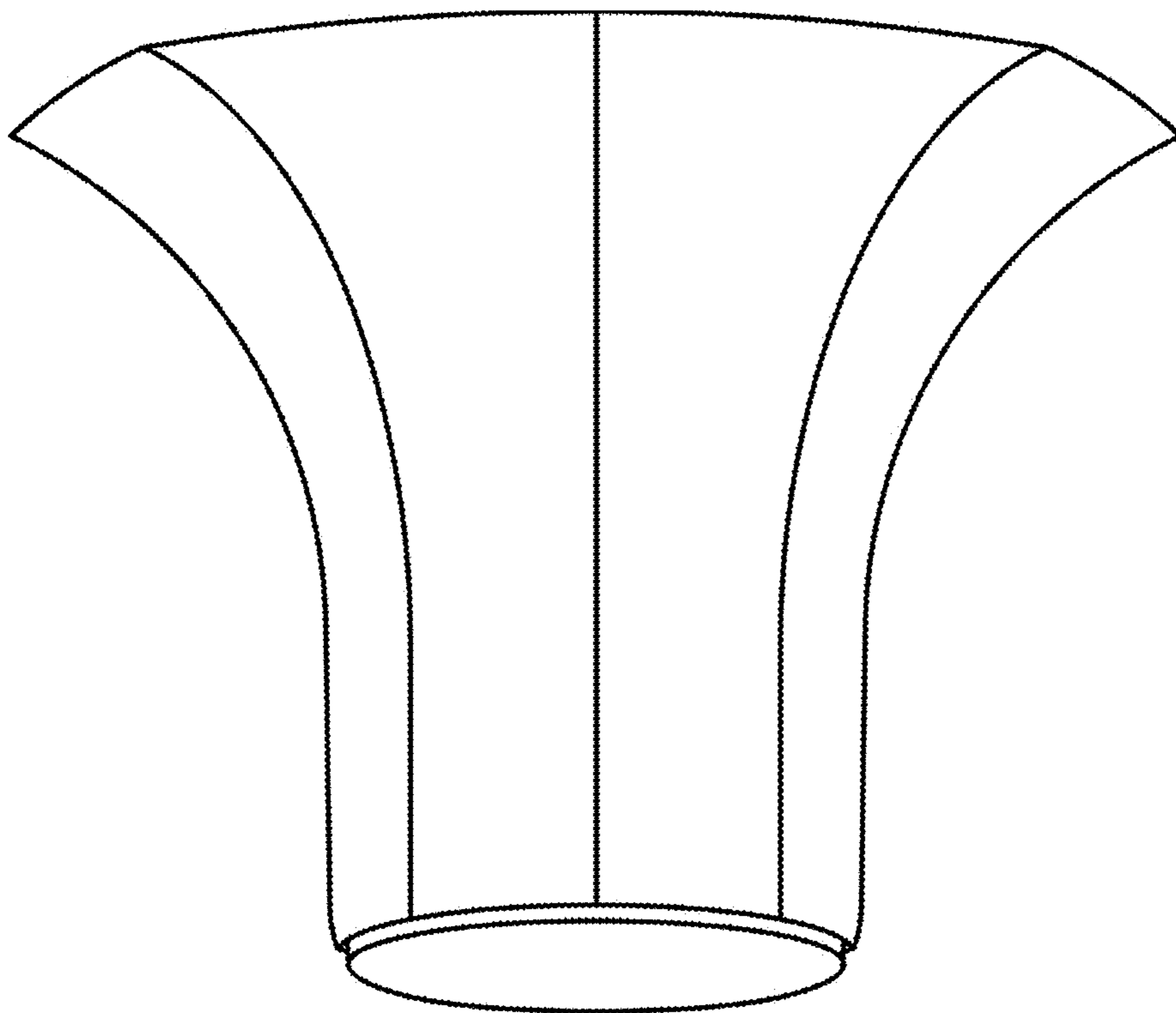


FIG. 5

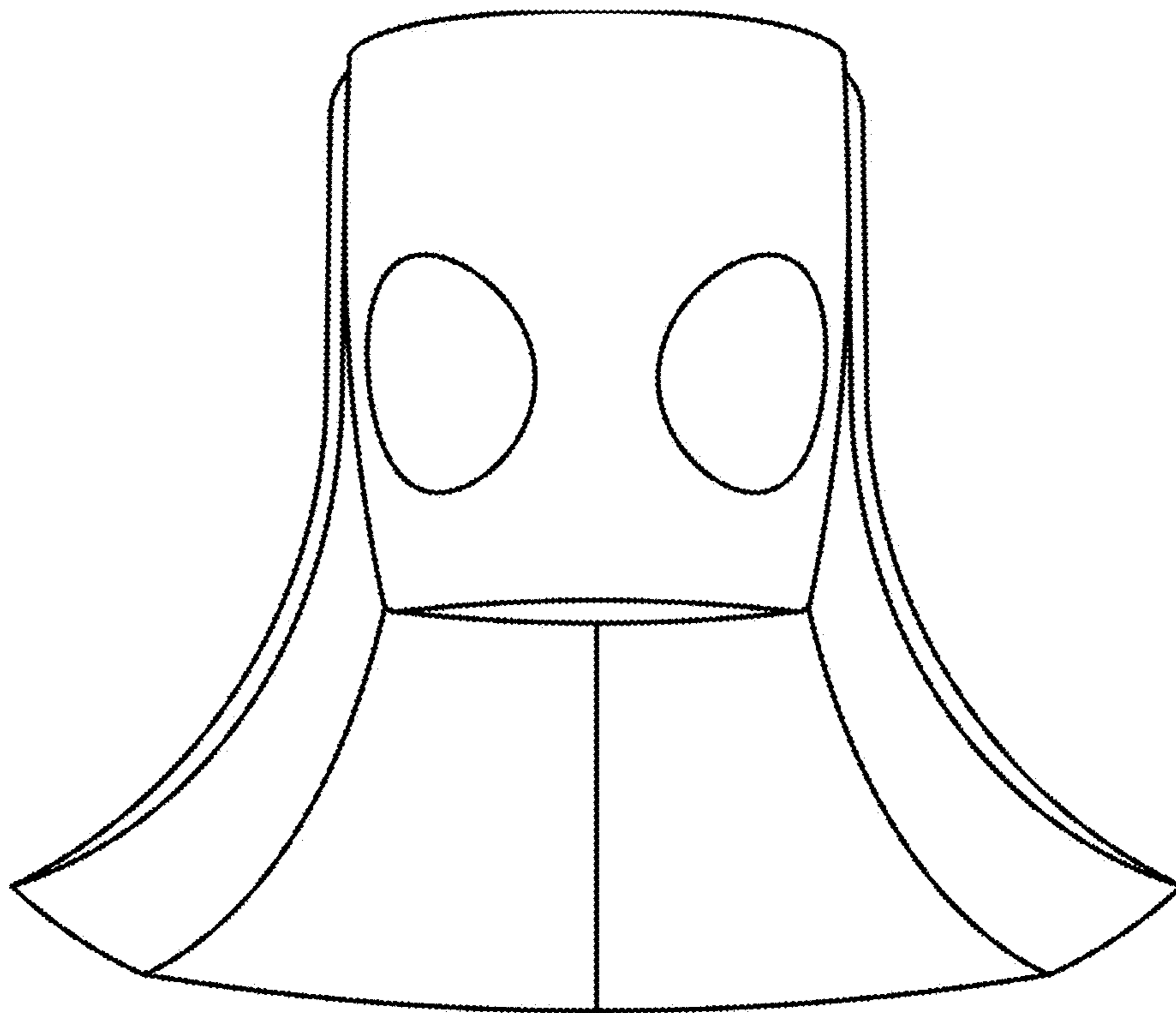


FIG. 6



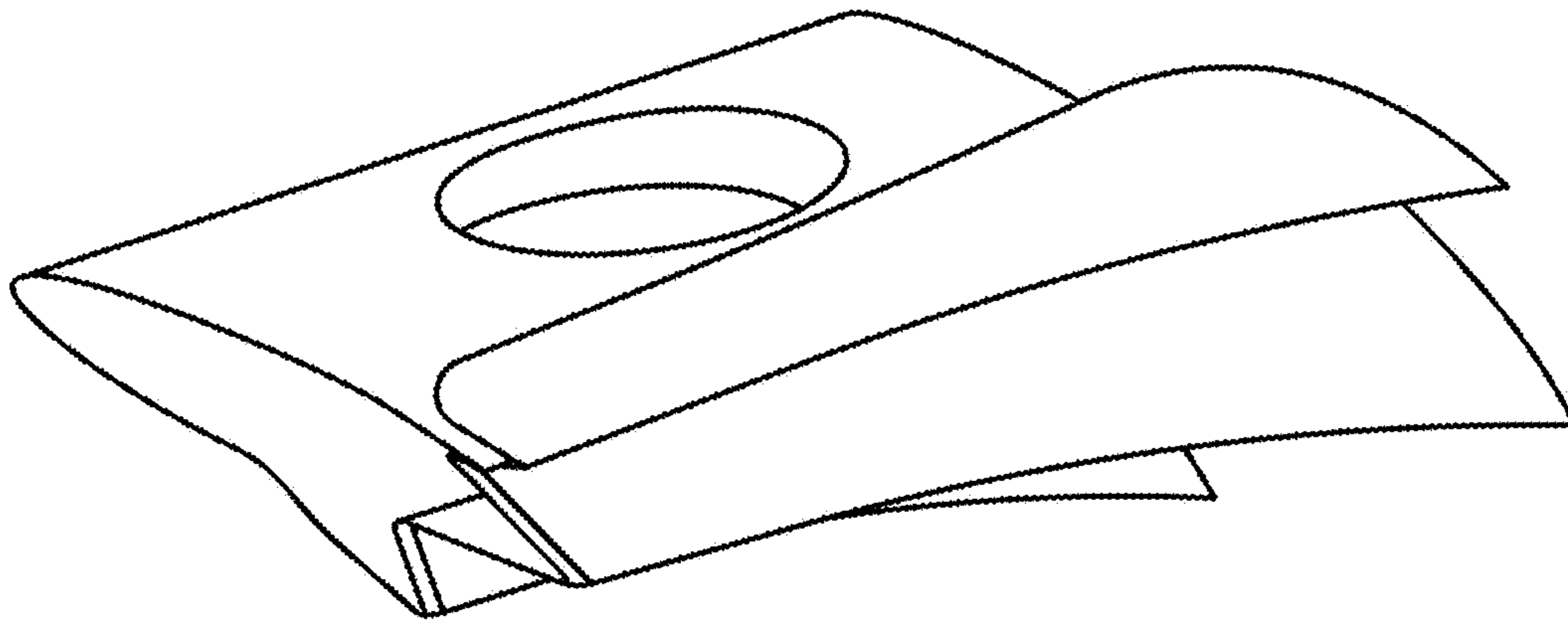


FIG. 7

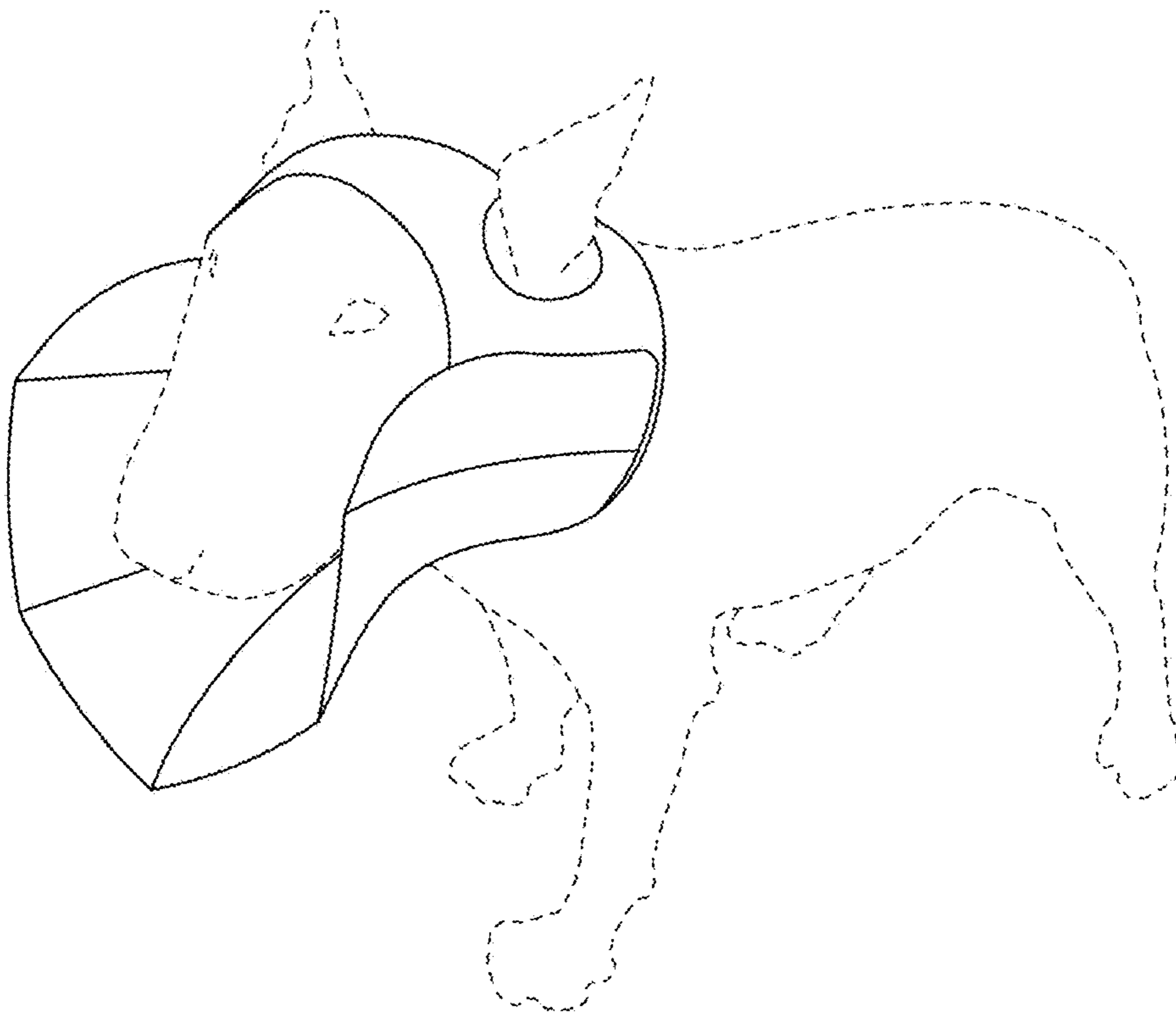
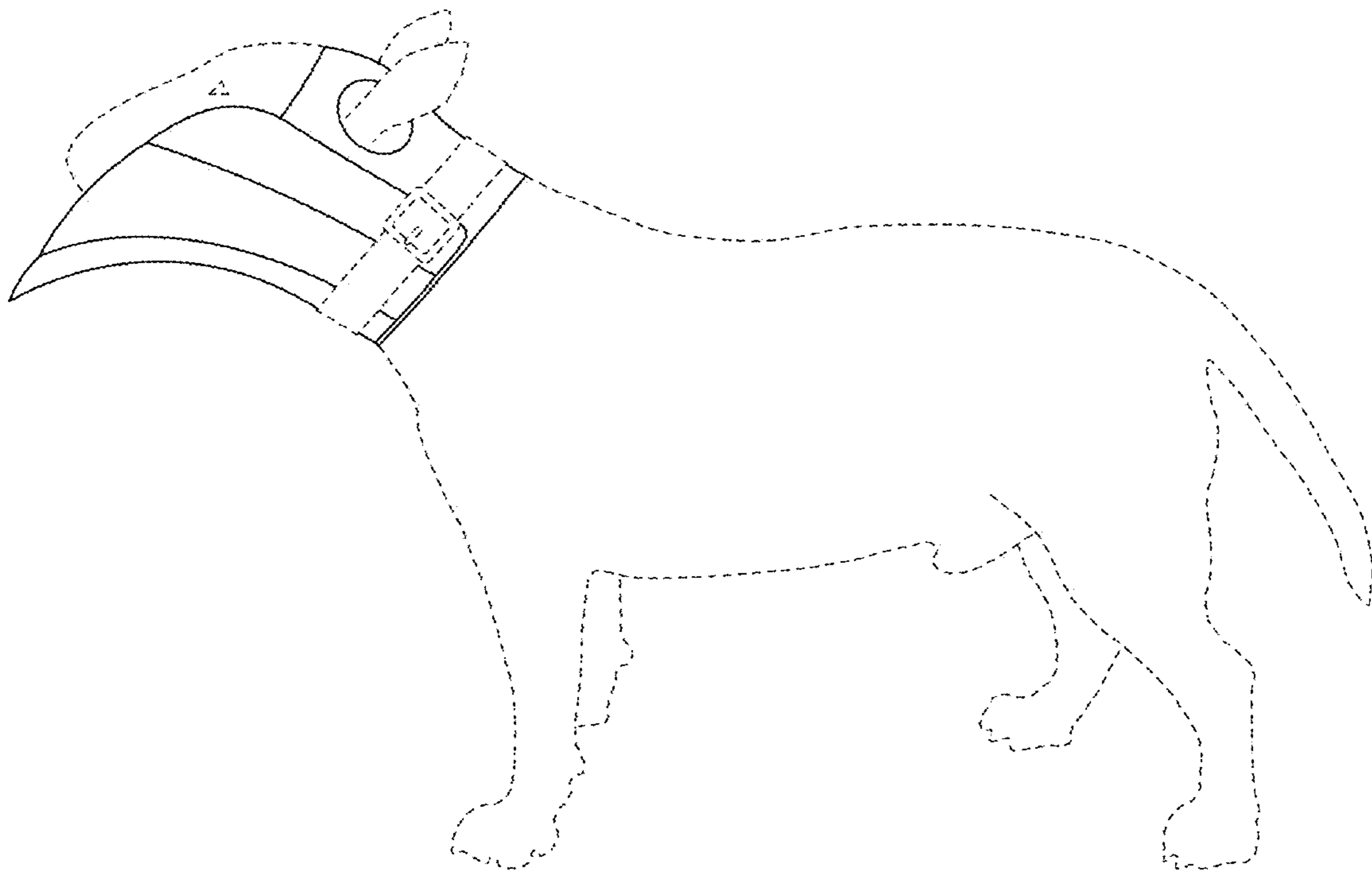


FIG. 8



**FIG. 9**