



US00D886388S

(12) **United States Design Patent**
Jia et al.

(10) **Patent No.:** **US D886,388 S**

(45) **Date of Patent:** **** Jun. 2, 2020**

(54) **WELDING MASK**

(71) Applicant: **JIANGSU MEIXIN OPTOELECTRONICS TECHNOLOGY CO., LTD.**, Nantong (CN)

(72) Inventors: **Weidong Jia**, Nantong (CN); **Dandan Tang**, Nantong (CN)

(73) Assignee: **JIANGSU MEIXIN OPTOELECTRONICS TECHNOLOGY CO. LTD.**, Nantong (CN)

(**) Term: **15 Years**

(21) Appl. No.: **29/678,289**

(22) Filed: **Jan. 28, 2019**

(51) **LOC (12) Cl.** **29-02**

(52) **U.S. Cl.**
USPC **D29/110**

(58) **Field of Classification Search**
USPC D29/105–107, 110, 122;
D24/110.1–110.3

See application file for complete search history.

(56) **References Cited**

U.S. PATENT DOCUMENTS

D406,404 S * 3/1999 Simpson D29/107
D684,320 S * 6/2013 Mateu Codina D29/106

D777,987 S * 1/2017 Patel D29/108
D795,502 S * 8/2017 Lebel D29/122
D857,303 S * 8/2019 Yang D29/110
2018/0042773 A1* 2/2018 Boinnard A61F 9/025
2018/0149895 A1* 5/2018 Hofer Kraner A61F 9/067
2019/0274885 A1* 9/2019 Huh A42B 3/225

* cited by examiner

Primary Examiner — Robert A Delehanty

(74) *Attorney, Agent, or Firm* — Law Offices Of Steven W. Weinrieb

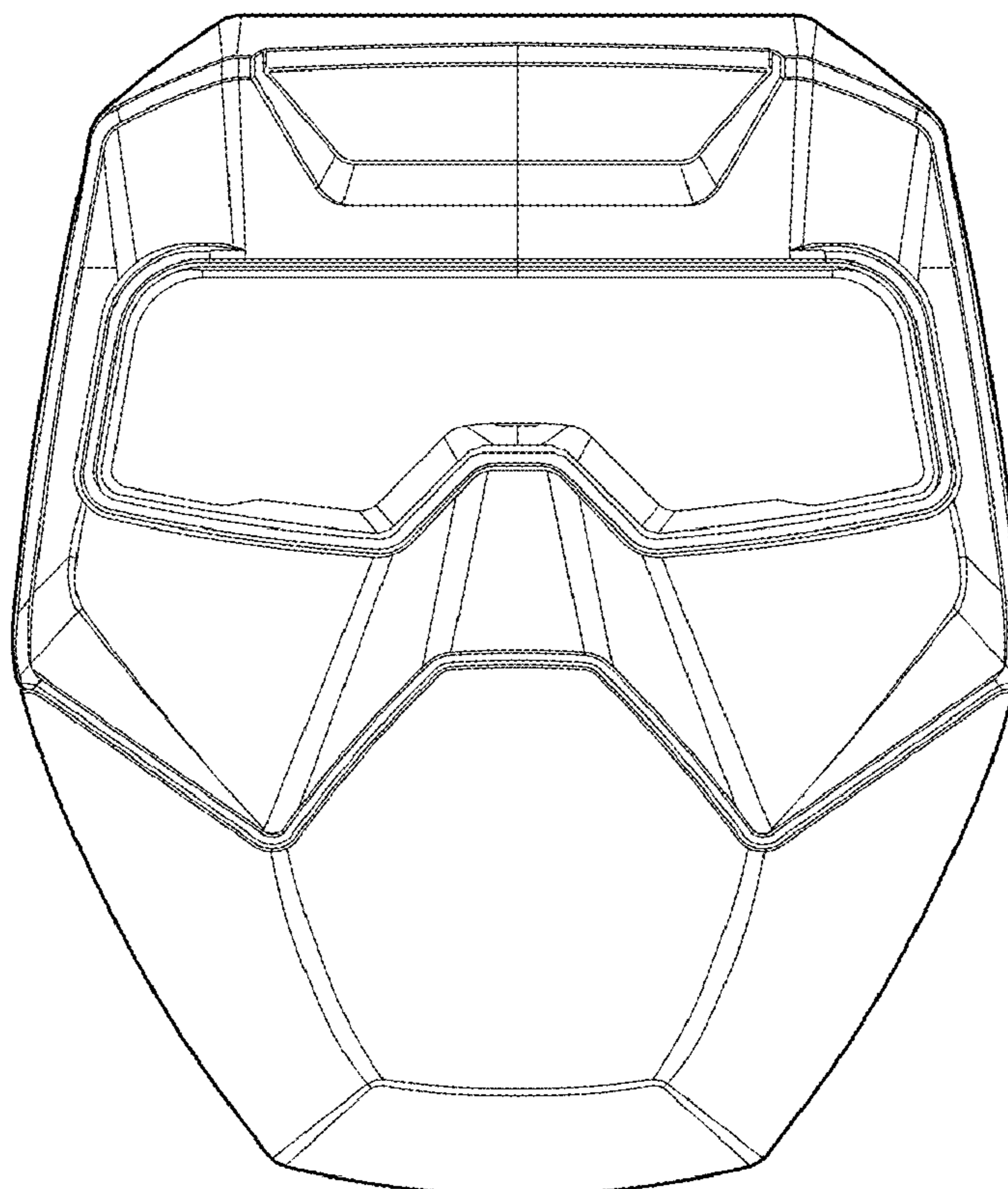
(57) **CLAIM**

The ornamental design for a welding mask, as shown and described.

DESCRIPTION

FIG. 1 is a front elevational view showing my new design for a welding mask;
FIG. 2 is a rear elevational view thereof;
FIG. 3 is a left side elevational view thereof;
FIG. 4 is a right side elevational view thereof;
FIG. 5 is a top plan view thereof; and,
FIG. 6 is a bottom plan view thereof.
The broken lines depict portions of the welding mask which form no part of the claimed design.

1 Claim, 6 Drawing Sheets



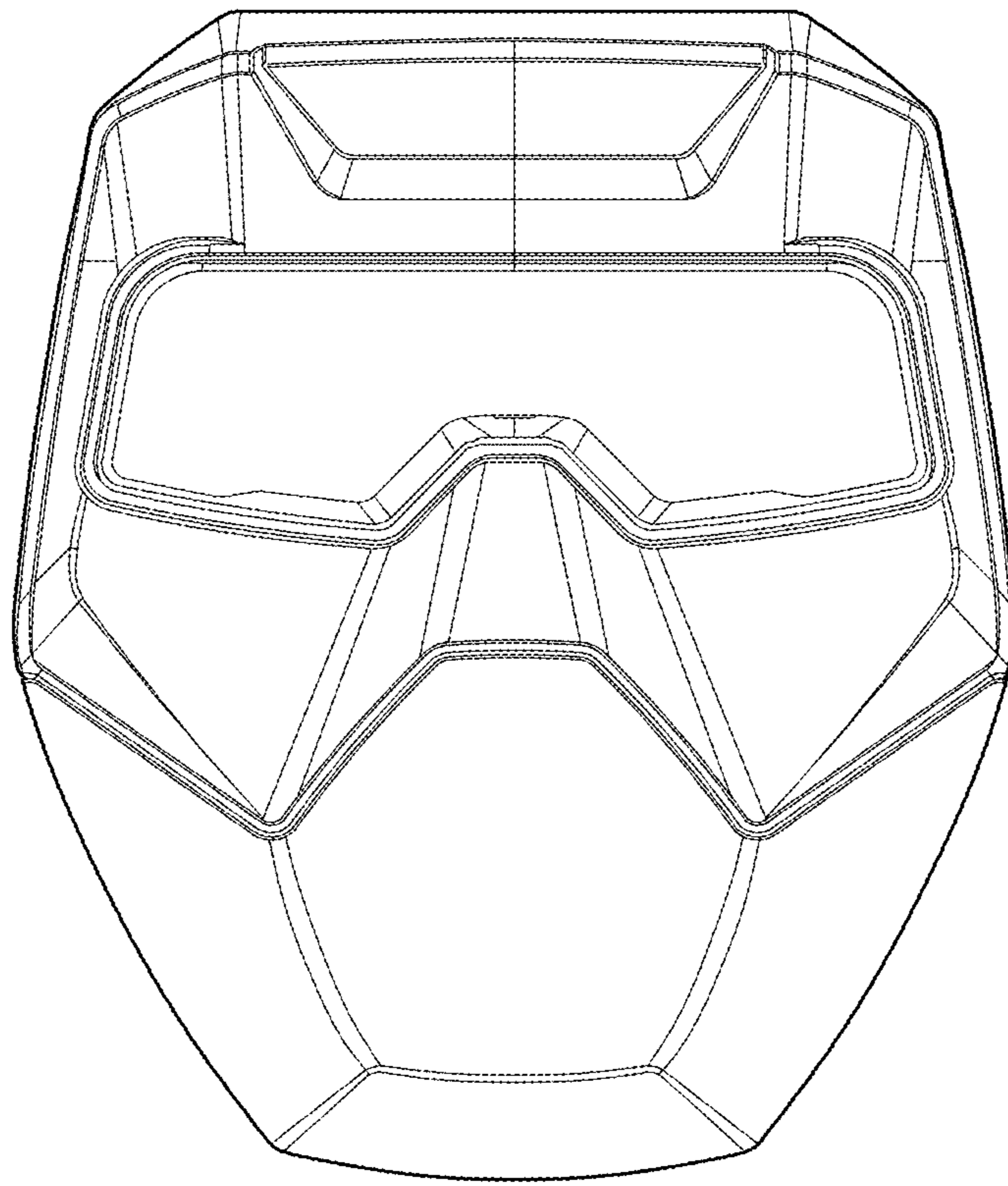


FIG. 1

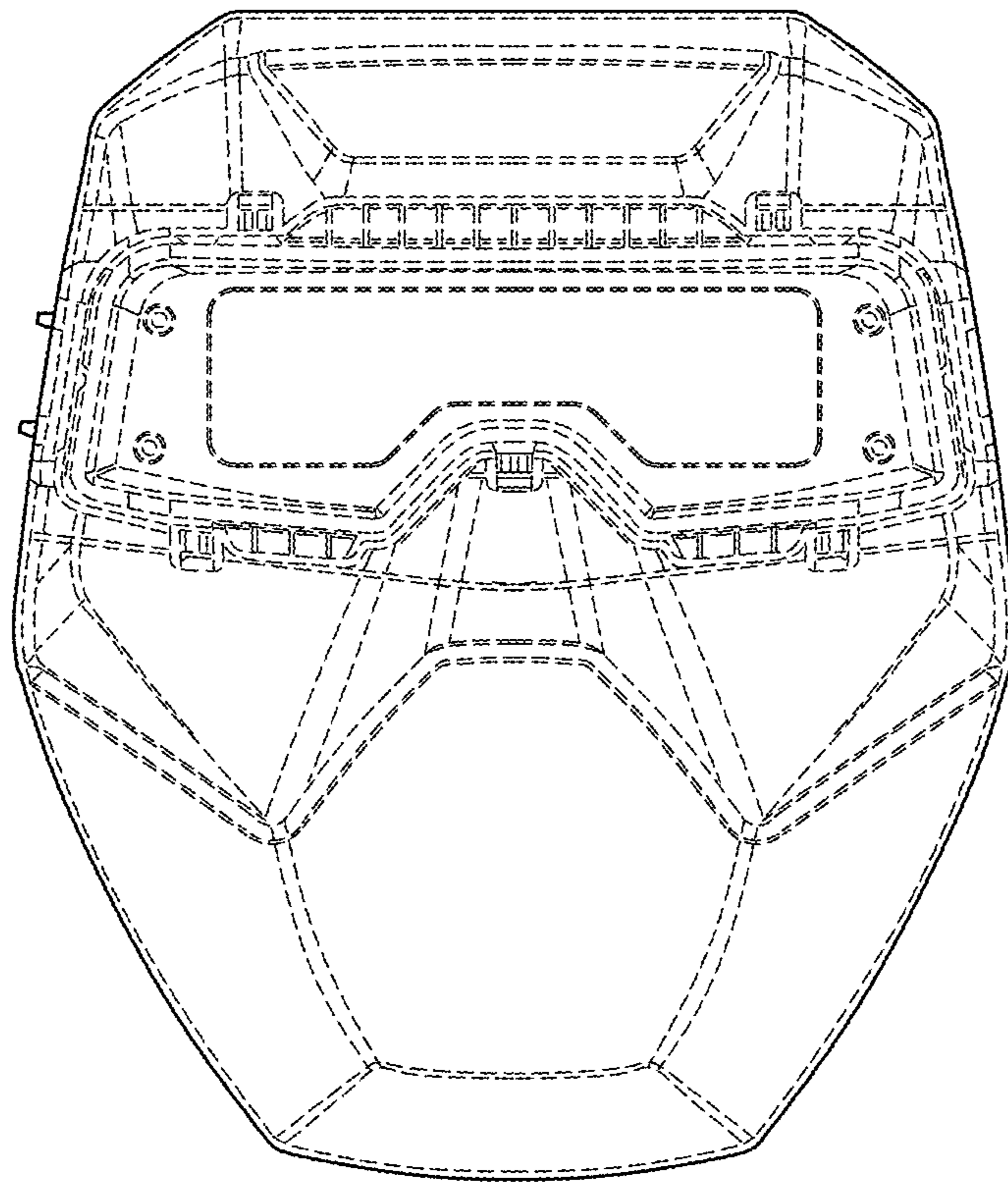


FIG. 2

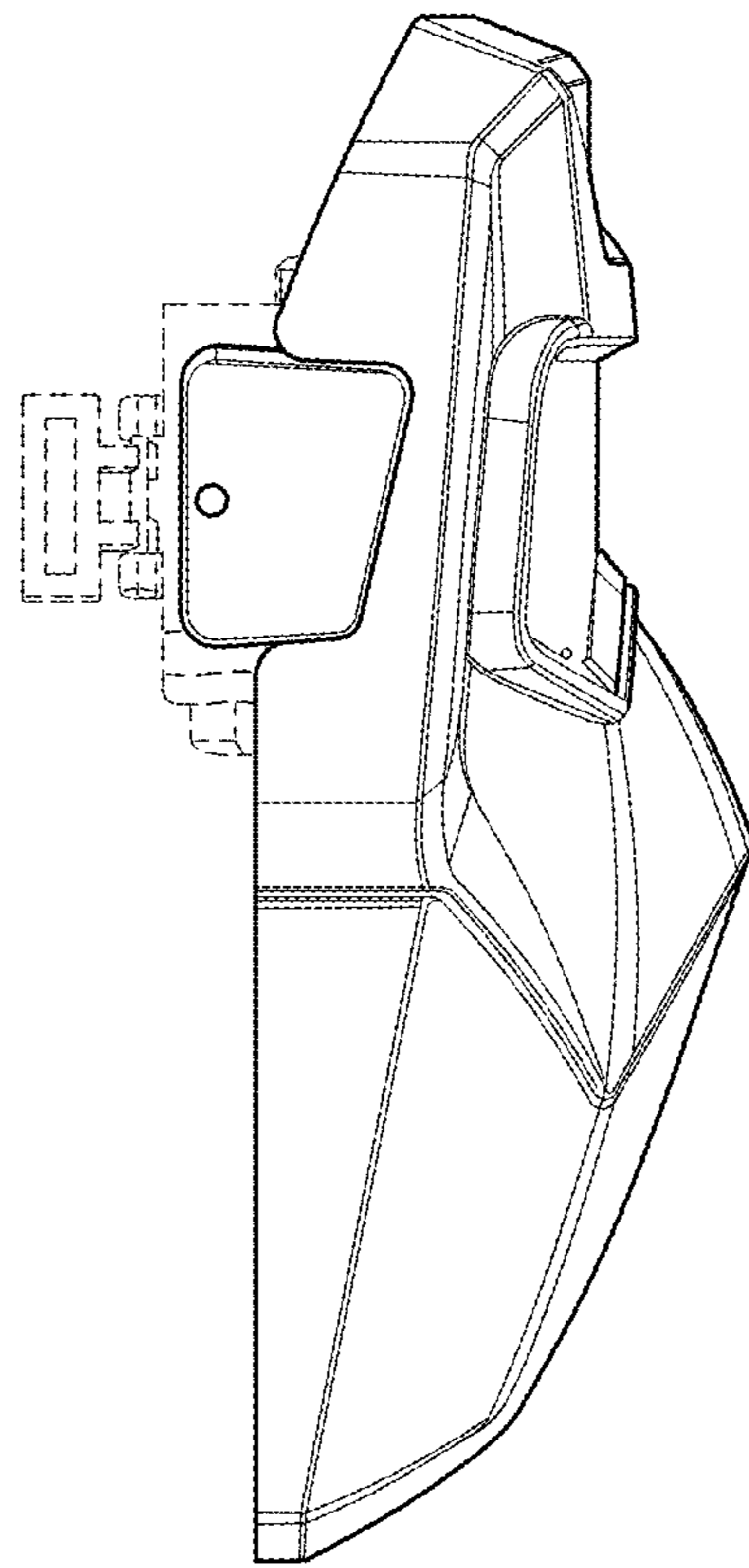


FIG. 3

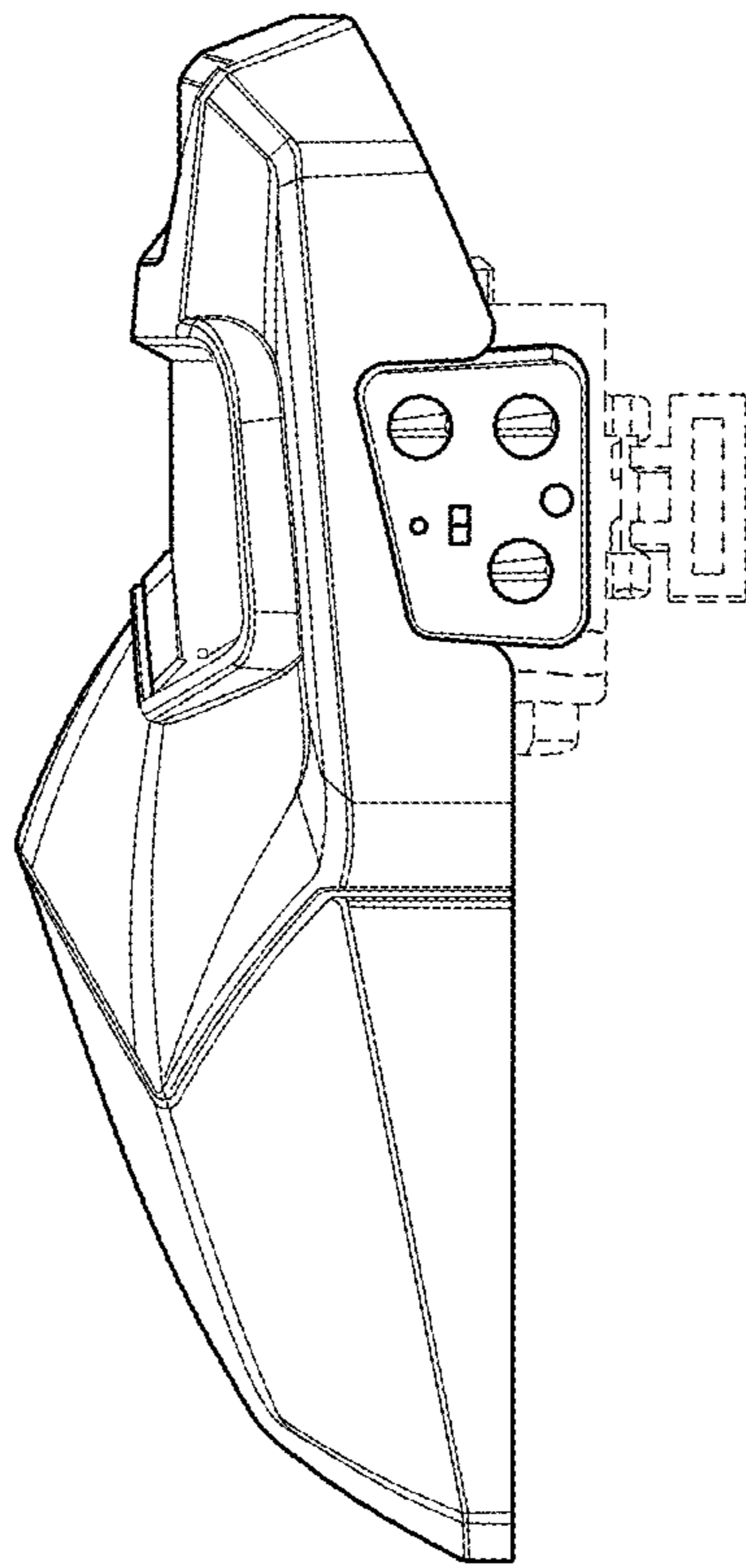


FIG. 4

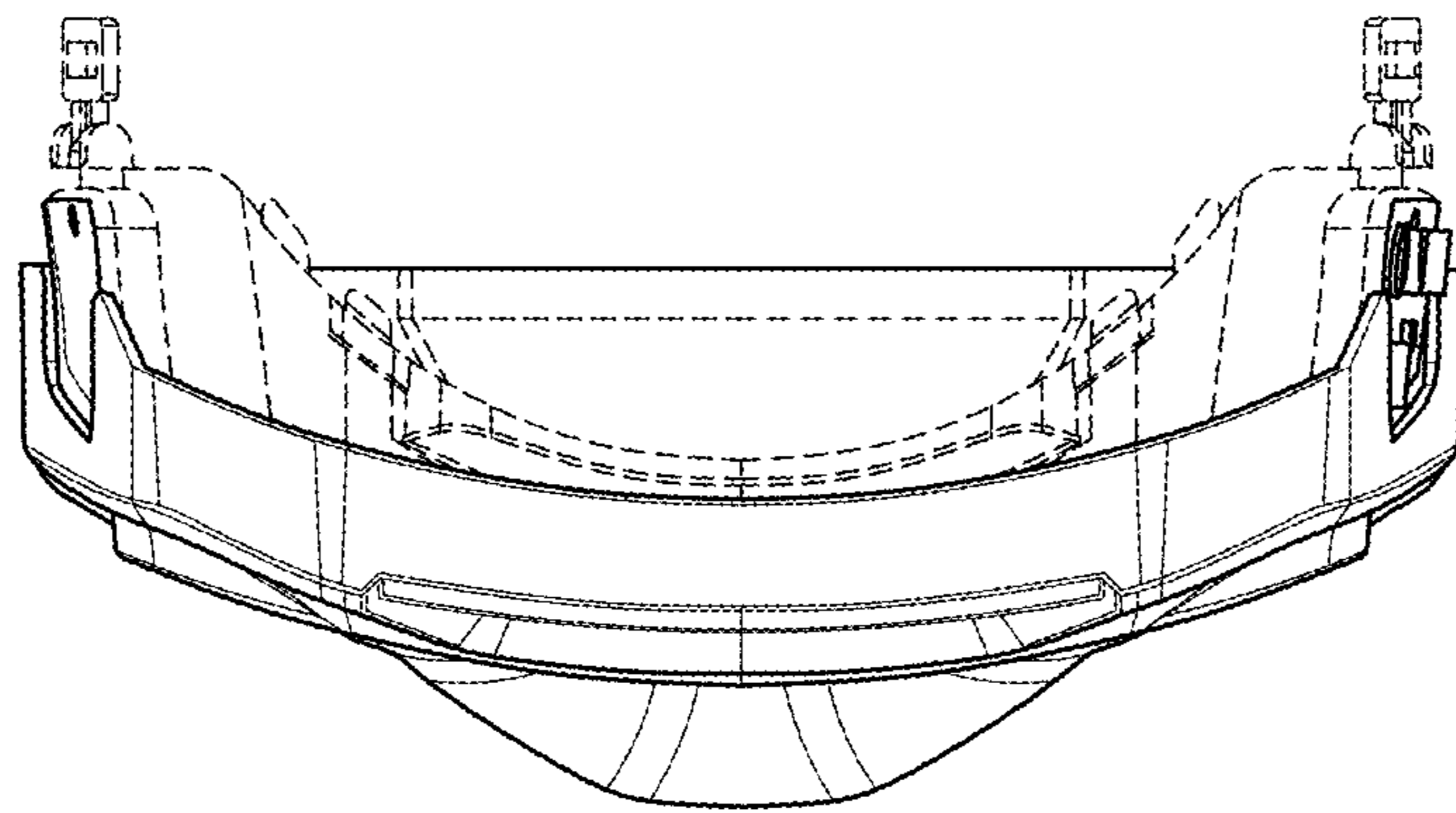


FIG. 5

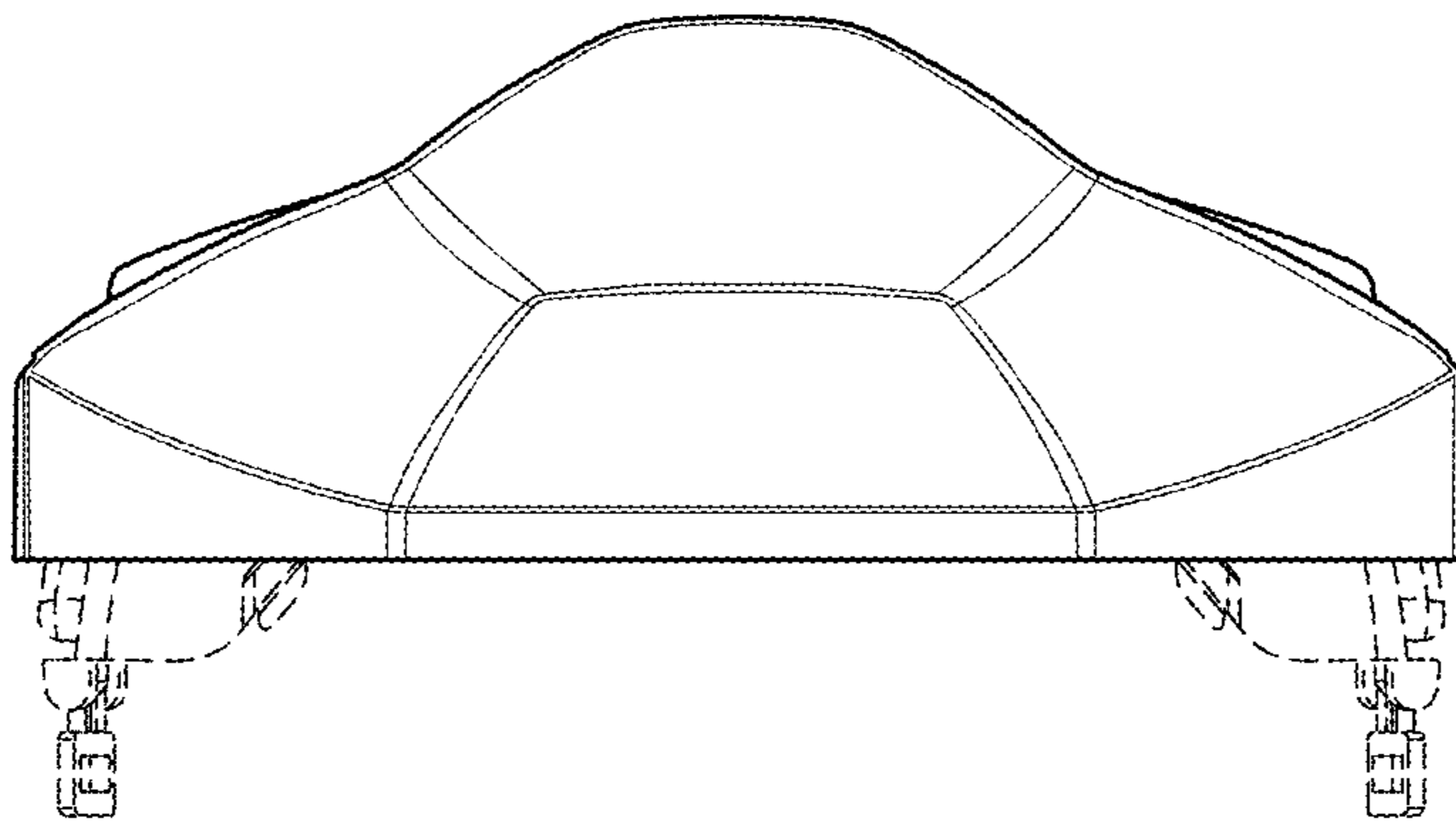


FIG. 6